



US00D404062S

United States Patent [19]

[11] **Patent Number: Des. 404,062**

Vande Walle et al.

[45] **Date of Patent: **Jan. 12, 1999**

[54] **COMBINED SCREEN PRINTING INK SQUEEGEE AND SCREEN TENSIONING HOLDER**

[75] Inventors: **Jay T. Vande Walle**, Centreville; **Dennis D. Hunt**, Rixeyville, both of Va.

[73] Assignee: **Screen Printing Technical Foundation**, Fairfax, Va.

[**] Term: **14 Years**

[21] Appl. No.: **57,523**

[22] Filed: **Jul. 26, 1996**

[51] **LOC (6) Cl.** **19-02**

[52] **U.S. Cl.** **D18/14; D18/50**

[58] **Field of Search** **D18/50, 14, 99, D18/58, 57; 101/123**

[56] **References Cited**

U.S. PATENT DOCUMENTS

D. 250,061	10/1978	Sato	D18/18
D. 307,597	5/1990	Levine	D18/14
D. 327,702	7/1992	Otsuki	D18/58
4,549,484	10/1985	Neese	101/123
4,957,045	9/1990	Messerschmitt	101/123

Primary Examiner—Louis S. Zarfes
Assistant Examiner—Gregory Andoll
Attorney, Agent, or Firm—Charlie T. Moon

[57] **CLAIM**

The ornamental design for a combined screen printing ink squeegee and screen tensioning holder, as shown and described.

DESCRIPTION

FIG. 1 is a perspective view of a first embodiment of a

combined screen printing ink squeegee and screen tensioning holder showing our new design with laterally spaced skids;

FIG. 2 is a top plan view of the combined screen printing ink squeegee and screen tensioning holder shown in FIG. 1;

FIG. 3 is a left side elevational view of the combined screen printing ink squeegee and screen tensioning holder shown in FIG. 1, the right side elevational view being a mirror image thereof;

FIG. 4 is a front elevational view of the combined screen printing ink squeegee and screen tensioning holder shown in FIG. 1;

FIG. 5 is a perspective view of a second embodiment of a combined screen printing ink squeegee and screen tensioning holder showing our new design with laterally spaced rollers;

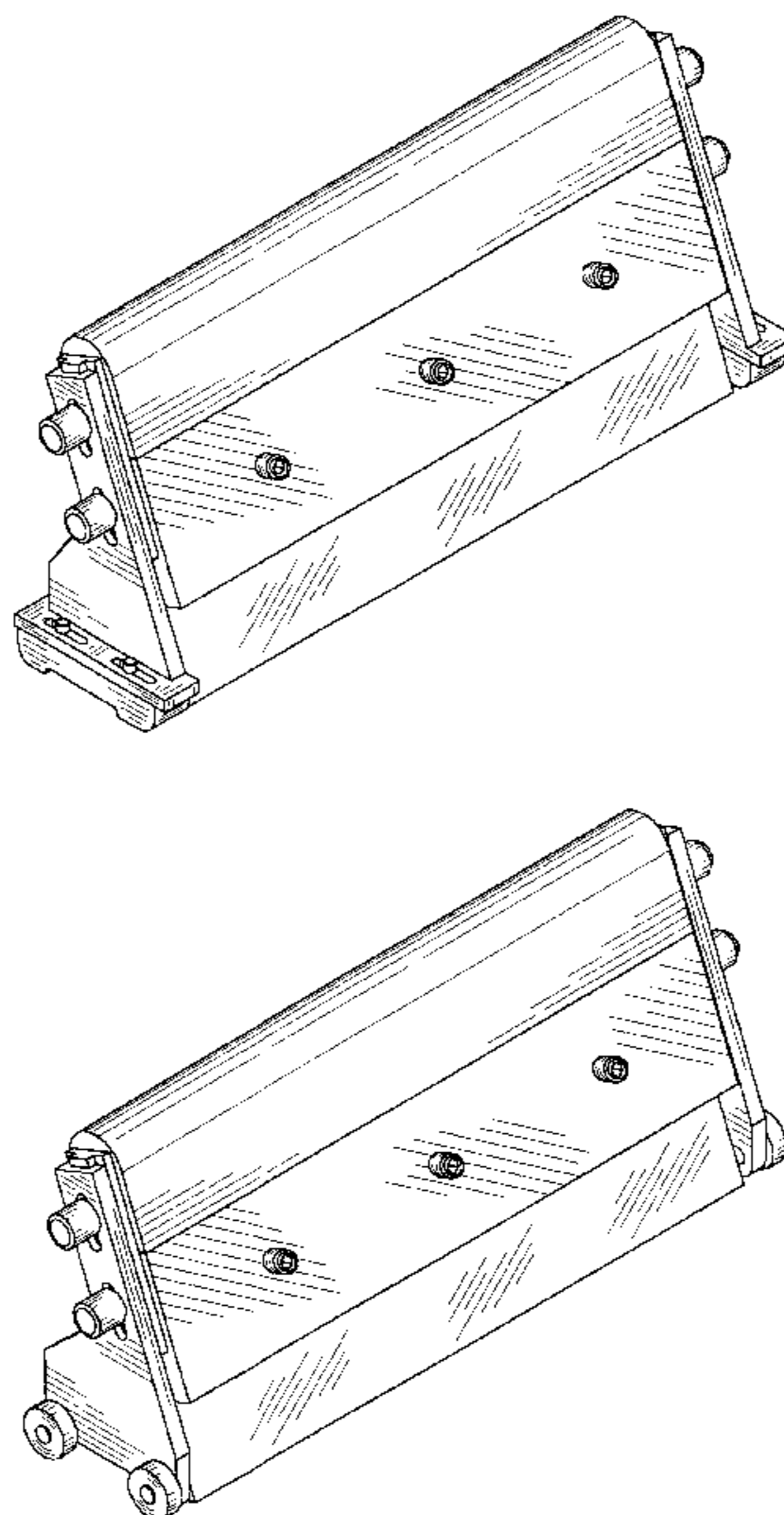
FIG. 6 is a top plan view of the combined screen printing ink squeegee and screen tensioning holder shown in FIG. 5;

FIG. 7 is a left side elevational view of the combined screen printing ink squeegee and screen tensioning holder shown in FIG. 5, the right side elevational view being a mirror image thereof; and,

FIG. 8 is a front elevational view of the combined screen printing ink squeegee and screen tensioning holder shown in FIG. 5.

The portions of the bottom and rear views of both embodiments of the combined screen printing ink squeegee and screen tensioning holder, not shown, form no part of the claimed design.

1 Claim, 2 Drawing Sheets



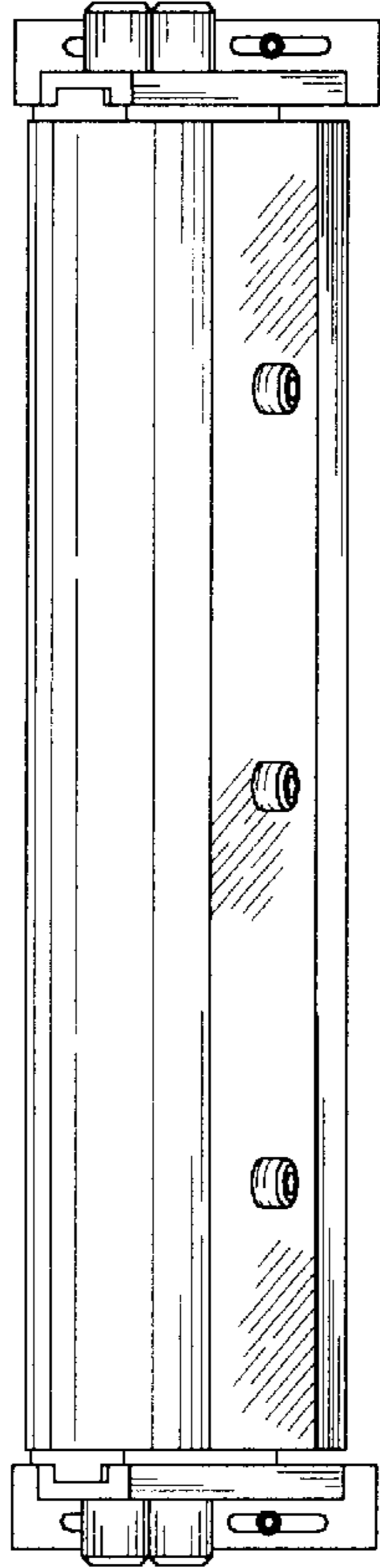


Fig. 2

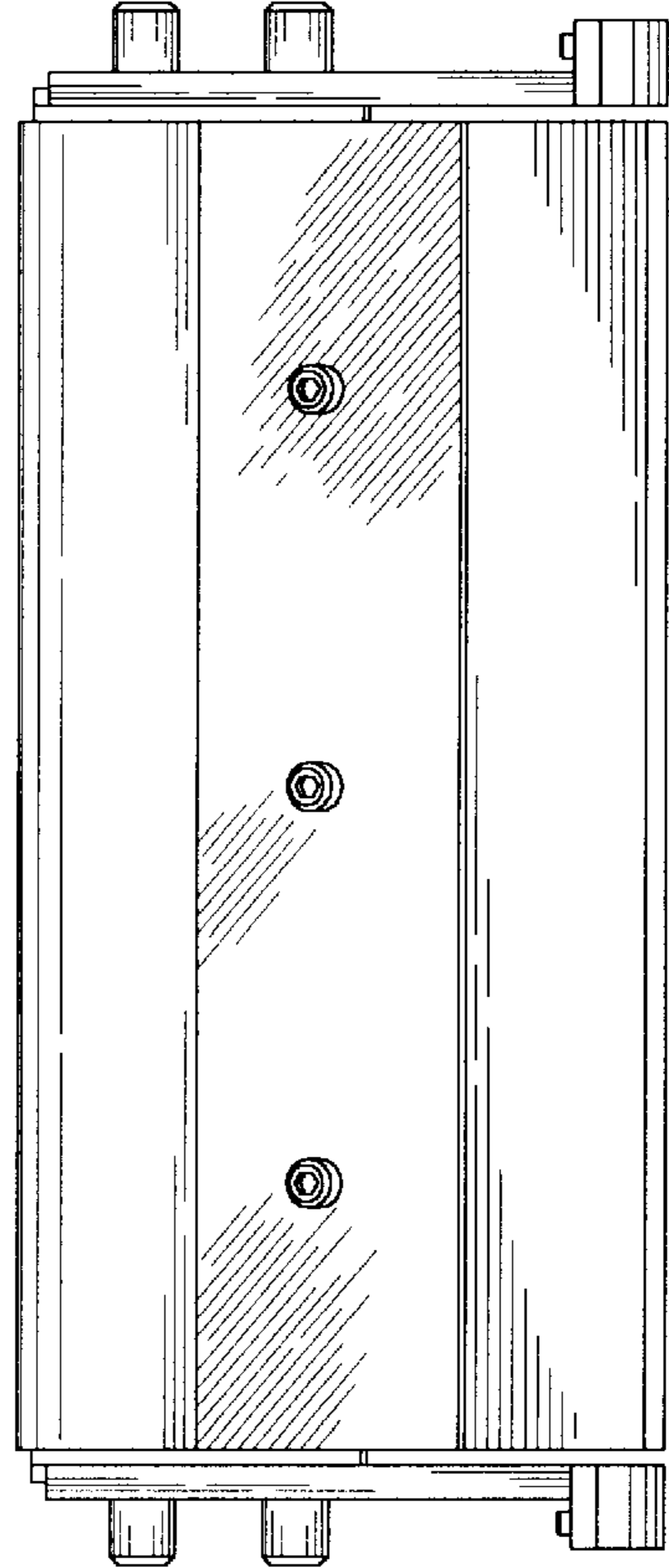


Fig. 4

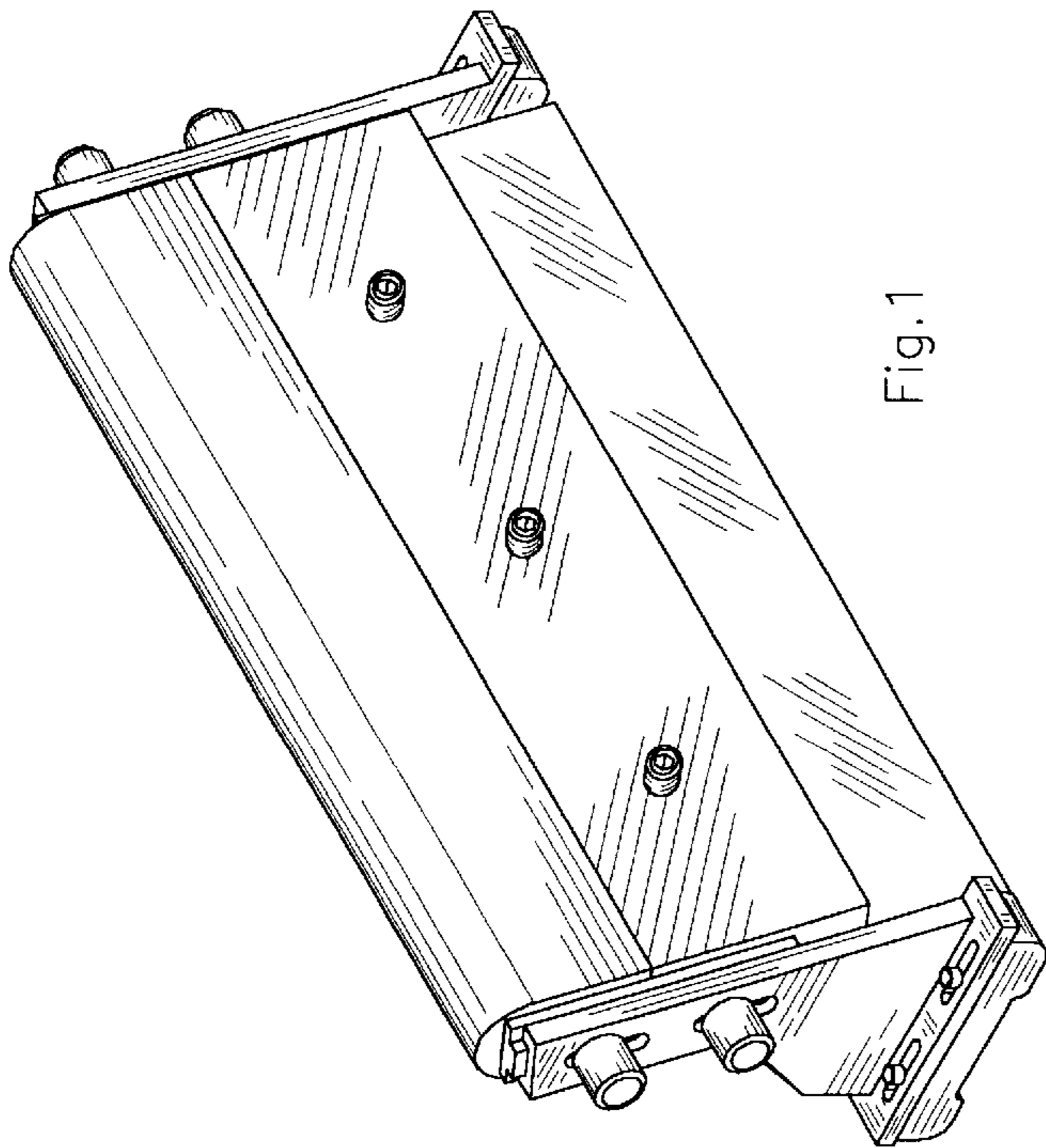


Fig. 1

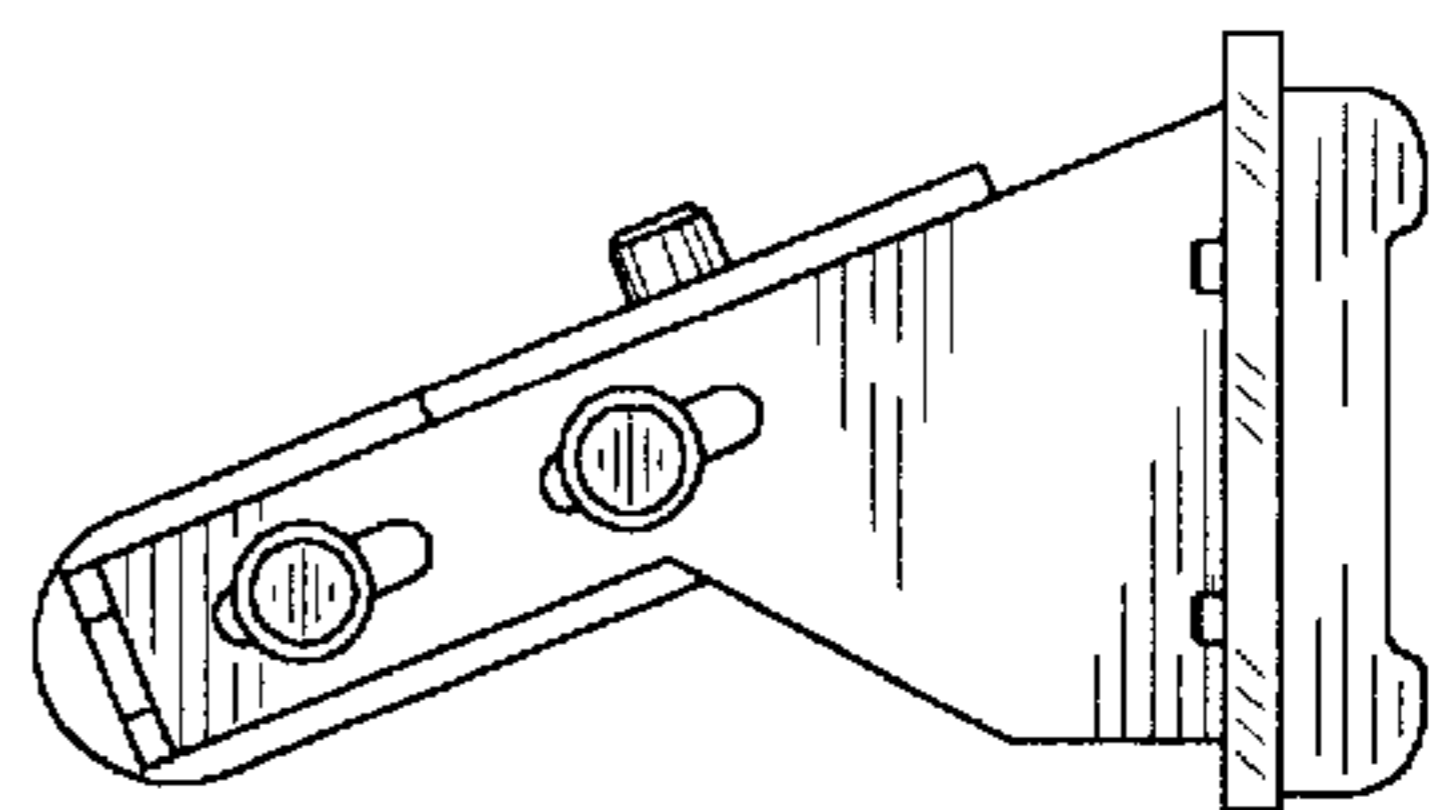


Fig. 3

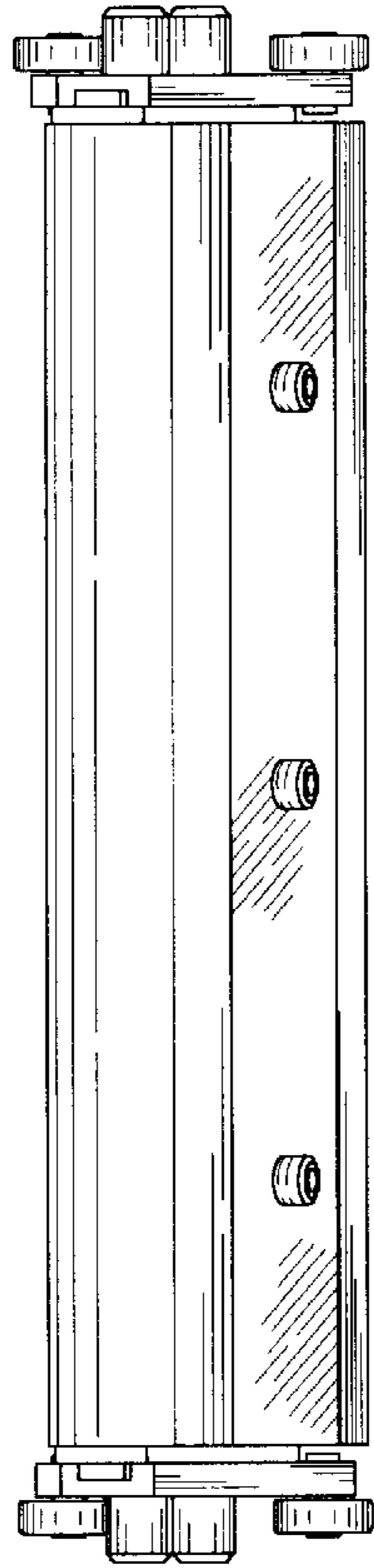


Fig. 6

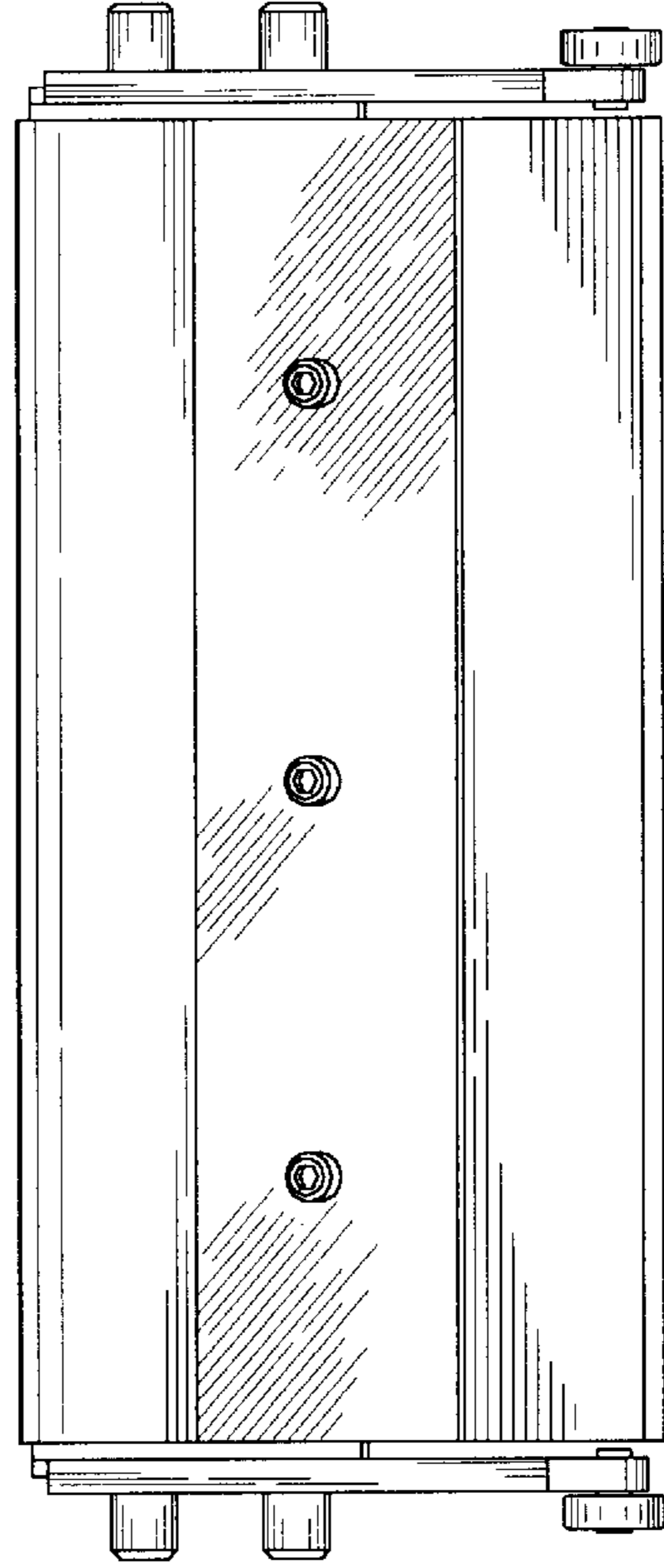


Fig. 8

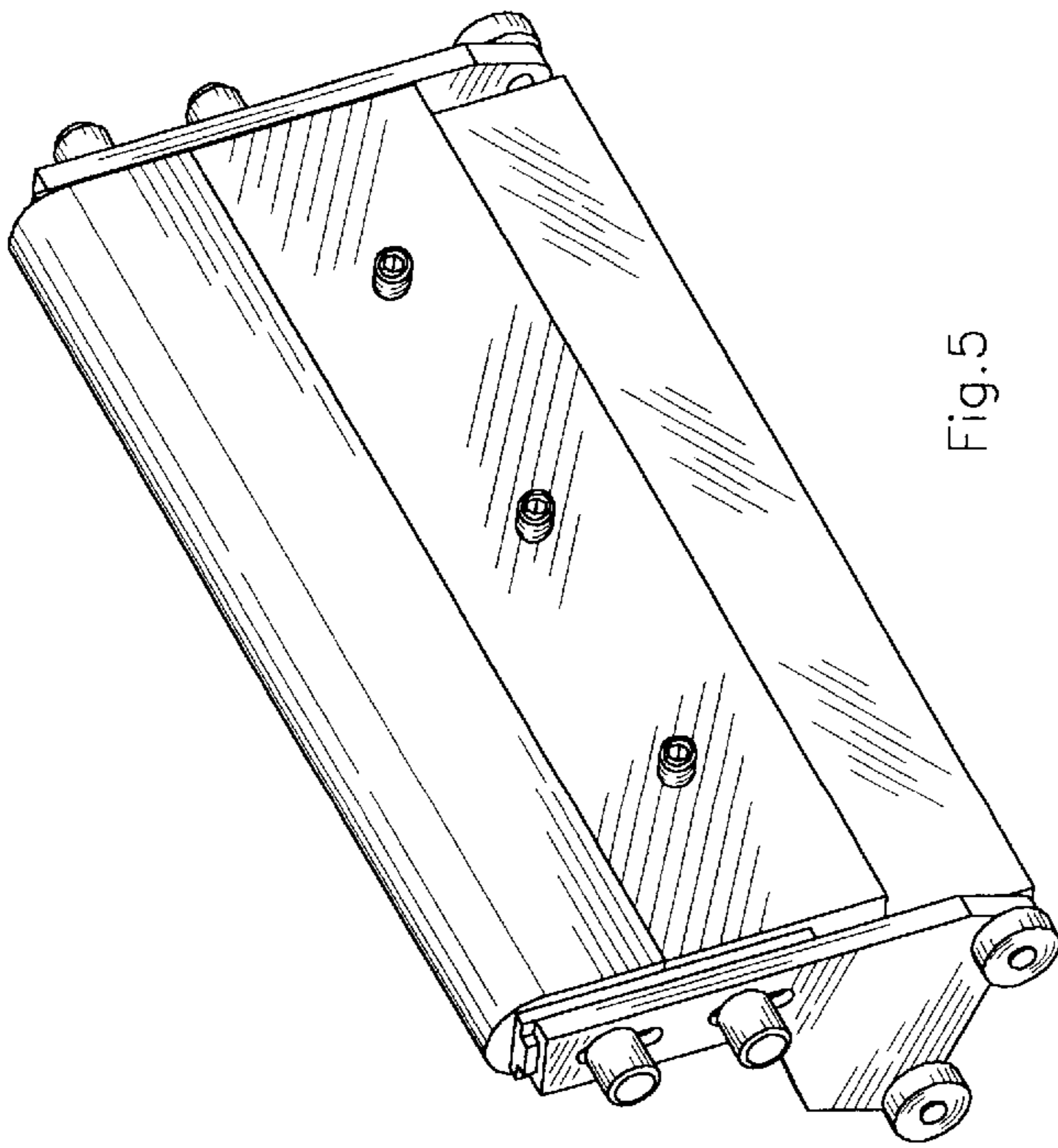


Fig. 5

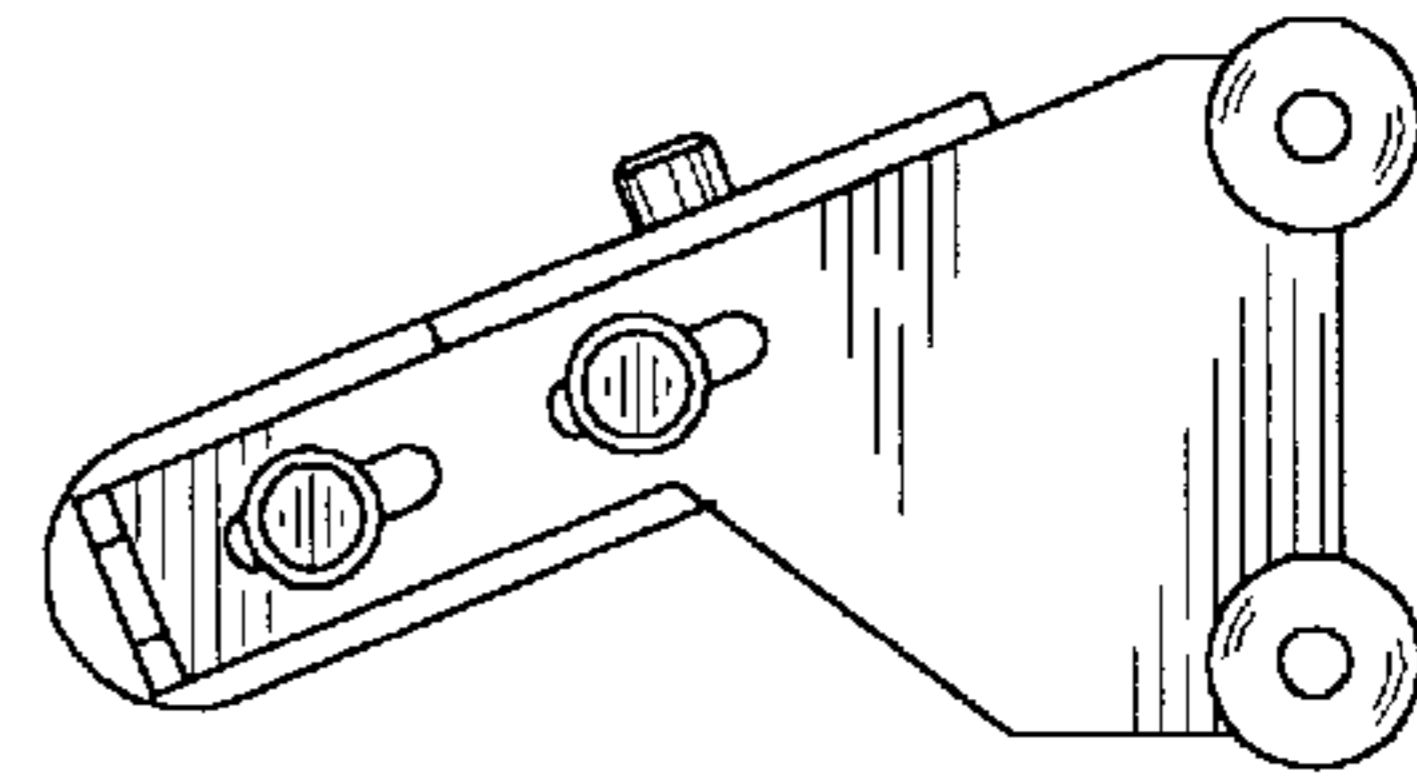


Fig. 7