



US00D404051S

United States Patent [19] Ishii

[11] **Patent Number: Des. 404,051**

[45] **Date of Patent: **Jan. 12, 1999**

[54] **VIEWING SCREEN FOR A VIDEO CAMERA**

[75] Inventor: **Daisuke Ishii**, Tokyo, Japan

[73] Assignee: **Sony Corporation**, Tokyo, Japan

[**] Term: **14 Years**

[21] Appl. No.: **59,616**

[22] Filed: **Sep. 13, 1996**

Related U.S. Application Data

[62] Division of Ser. No. 35,625, Mar. 3, 1995, Pat. No. Des. 375,318.

[51] **LOC (6) Cl.** **16-05**

[52] **U.S. Cl.** **D16/219; D14/113**

[58] **Field of Search** D14/113, 124-129;
D16/200-204, 208, 219; 248/917-924;
345/104, 133; 348/739, 751, 766

[56] References Cited

U.S. PATENT DOCUMENTS

D. 356,326	3/1995	Miyashita	D16/202
D. 361,583	8/1995	Mori et al.	D16/202
D. 372,255	7/1996	Nakamura	D16/202
D. 375,107	10/1996	Ishii	D16/202
D. 376,166	12/1996	Ishii	D16/202
D. 377,497	1/1997	Ninomiya et al.	D16/219
5,035,392	7/1991	Gross et al.	248/918

FOREIGN PATENT DOCUMENTS

Des. 892649	3/1994	Japan	.
Des. 941291	12/1995	Japan	.
8-88784	4/1996	Japan H04N 5/225
Des. 951552	4/1996	Japan	.
Des. 951553	4/1996	Japan	.
Des. 951586	4/1996	Japan	.

(List continued on next page.)

OTHER PUBLICATIONS

Digital Video Camera (Power Digicum) NV DP1, Liquid Crystal Digital Video.
Camera (Liquid Crystal Power Digicum) NV DE1, Matsushita electric (Jul. 1996).

Primary Examiner—Philip S. Hyder
Assistant Examiner—Adir Aronovich
Attorney, Agent, or Firm—Foley & Lardner

[57] CLAIM

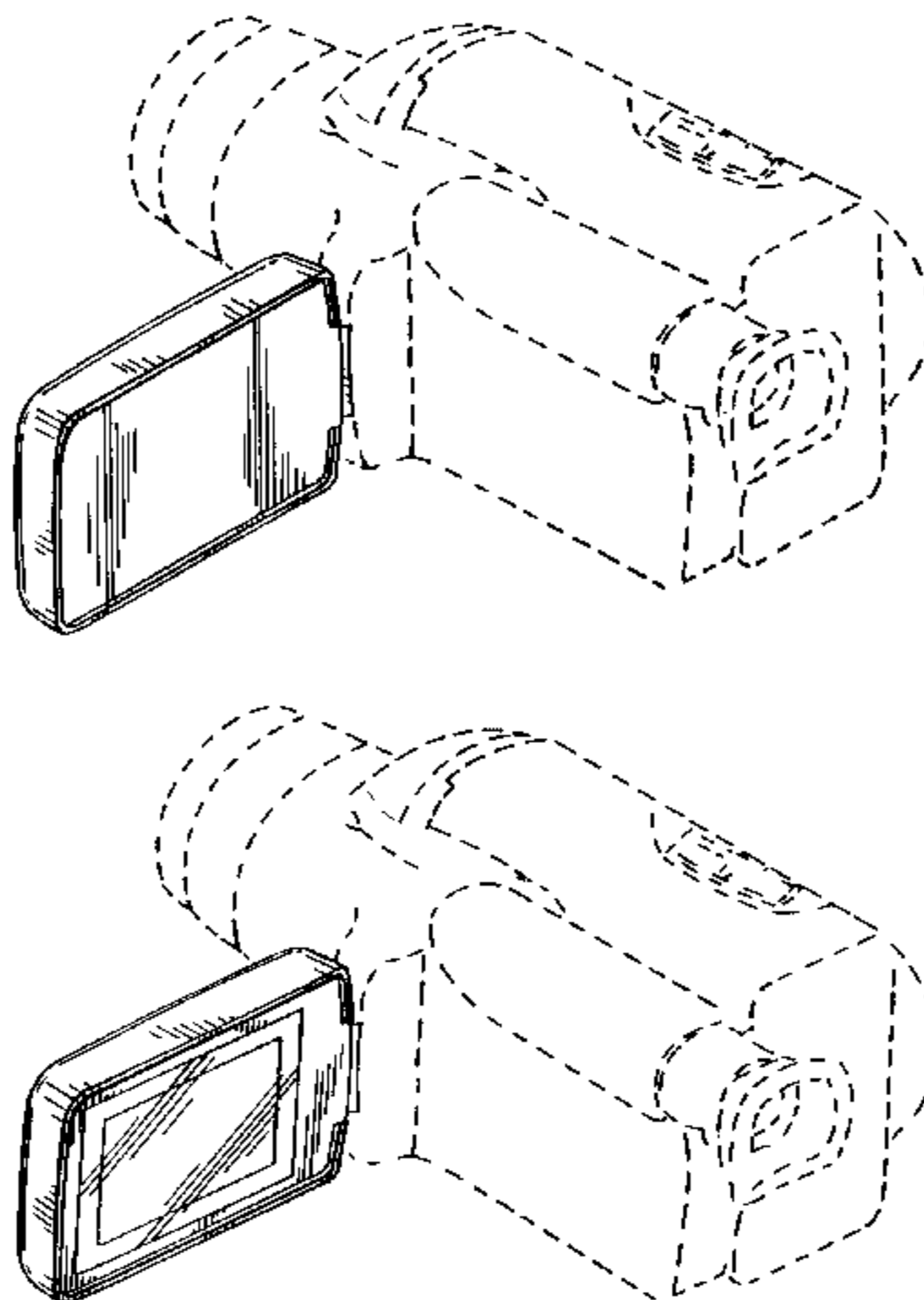
The ornamental design for a viewing screen for a video camera, as shown and described.

DESCRIPTION

FIG. 1 is a perspective view of a viewing screen for a video camera showing my new design;
FIG. 2 is a perspective view thereof, the viewing screen is in the open position;
FIG. 3 is a top plan view thereof;
FIG. 4 is a front elevational view thereof;
FIG. 5 is a side elevational view thereof;
FIG. 6 is a bottom plan view thereof;
FIG. 7 is a rear elevational view thereof;
FIG. 8 is a top plan view thereof, the viewing screen shown in the open position;
FIG. 9 is a side elevational view thereof, the viewing screen shown in the open position;
FIG. 10 is a front elevational view thereof, the viewing screen shown in the open position;
FIG. 11 is a bottom plan view thereof, the viewing screen shown in the open position;
FIG. 12 is a rear elevational view thereof, the viewing screen shown in the open position;
FIG. 13 is a perspective view thereof, the viewing screen shown in the first alternate position;
FIG. 14 is a perspective view thereof, the viewing screen shown in the second alternate position;
FIG. 15 is a rear elevational view of a second embodiment of a viewing screen for a video camera, the viewing screen shown in the open position;
FIG. 16 is a perspective view of the second embodiment of the viewing screen for a video camera, the viewing screen shown in the open position; and,
FIG. 17 is a perspective view of the second embodiment of a viewing screen, the viewing screen shown in the first alternative position.

The undisclosed views of the second embodiment are identical to the views of the illustrated in the first embodiment. Video camera portions shown in broken lines are for illustrative purposes only and form no part of claimed design.

1 Claim, 6 Drawing Sheets



Des. 404,051

Page 2

FOREIGN PATENT DOCUMENTS

8-125890 5/1996 Japan .

Des. 954049 5/1996 Japan .
Des. 954049-1 5/1996 Japan .
Des. 941291-1 7/1996 Japan .

FIG. 1

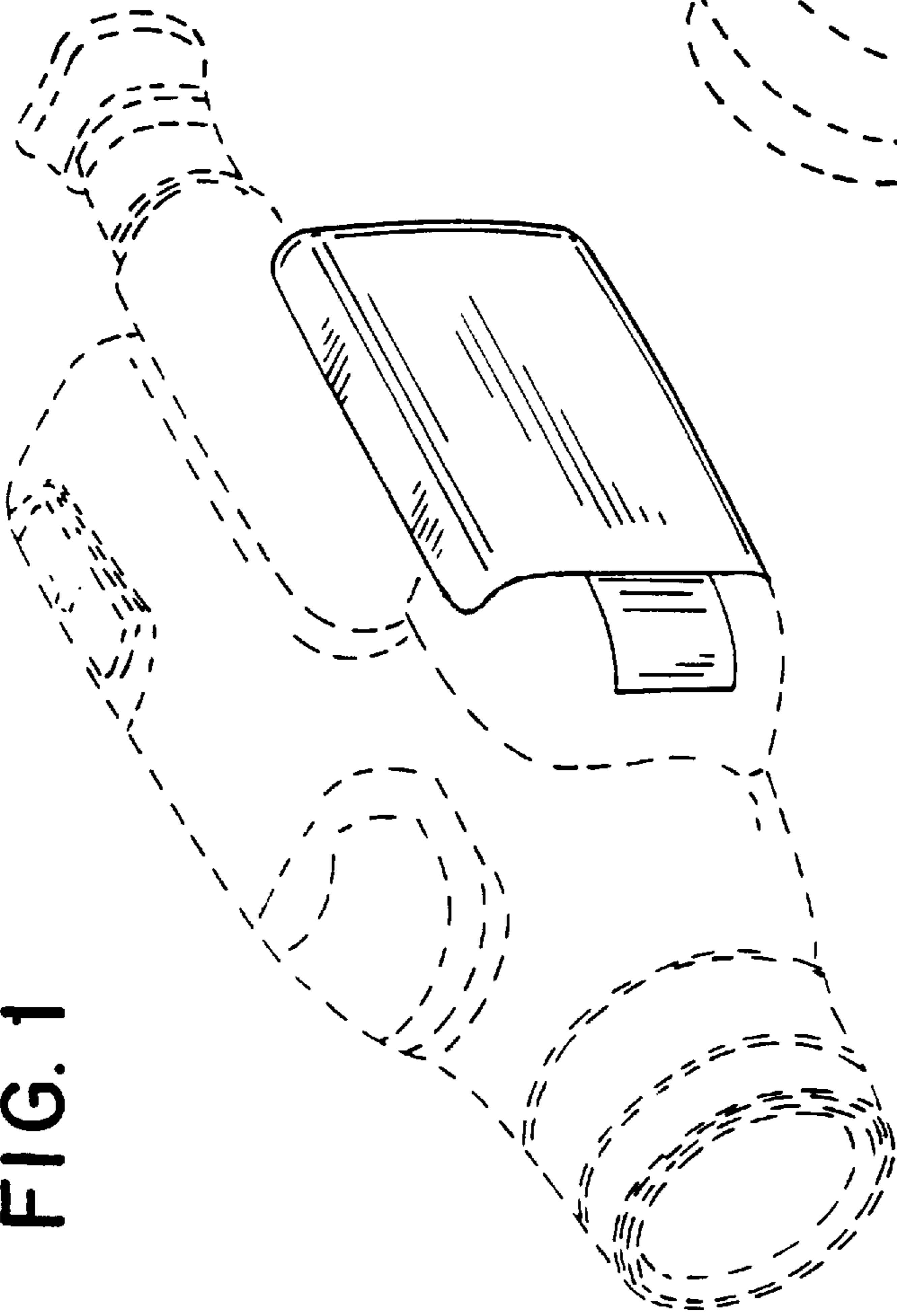


FIG. 2

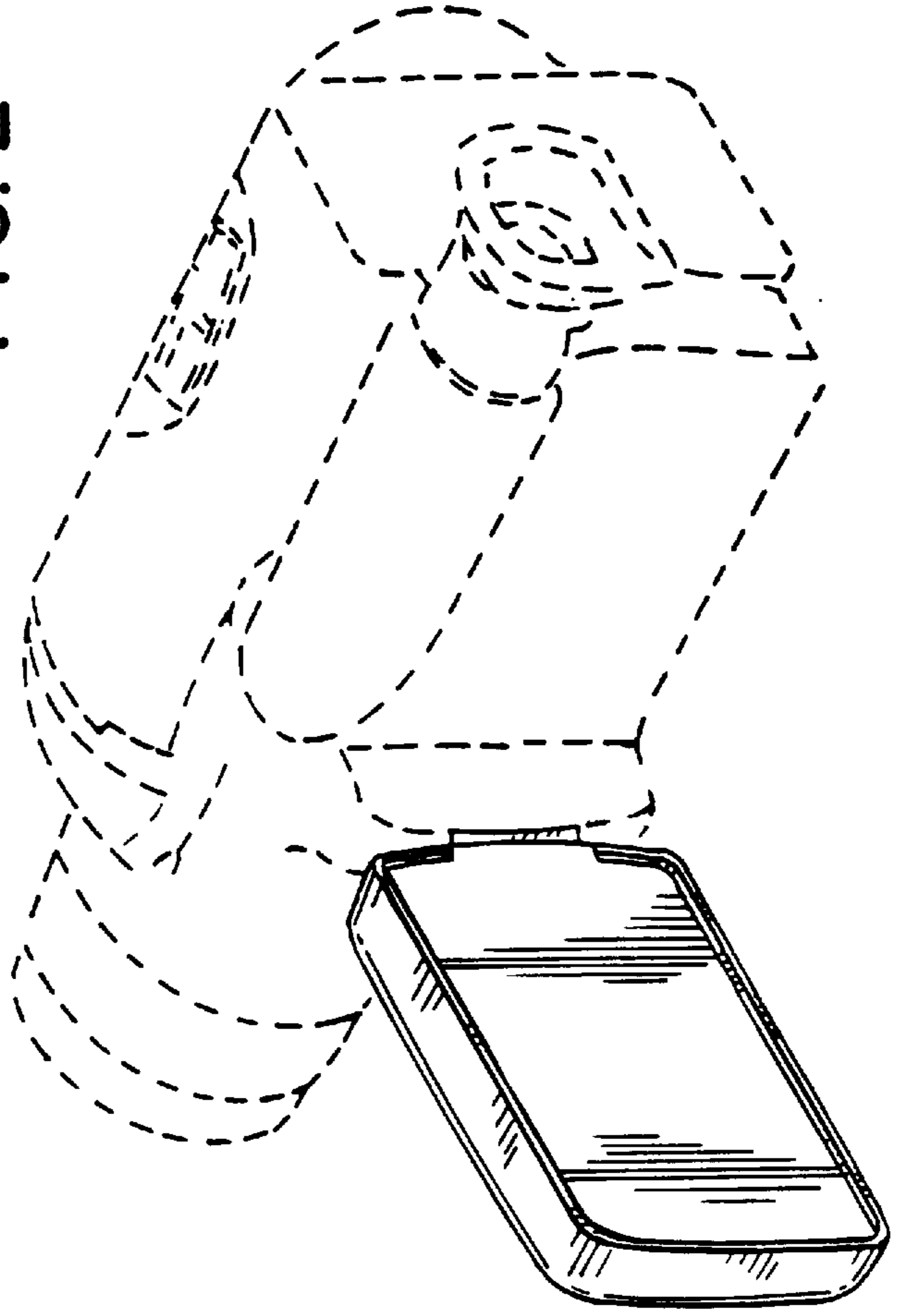


FIG. 4

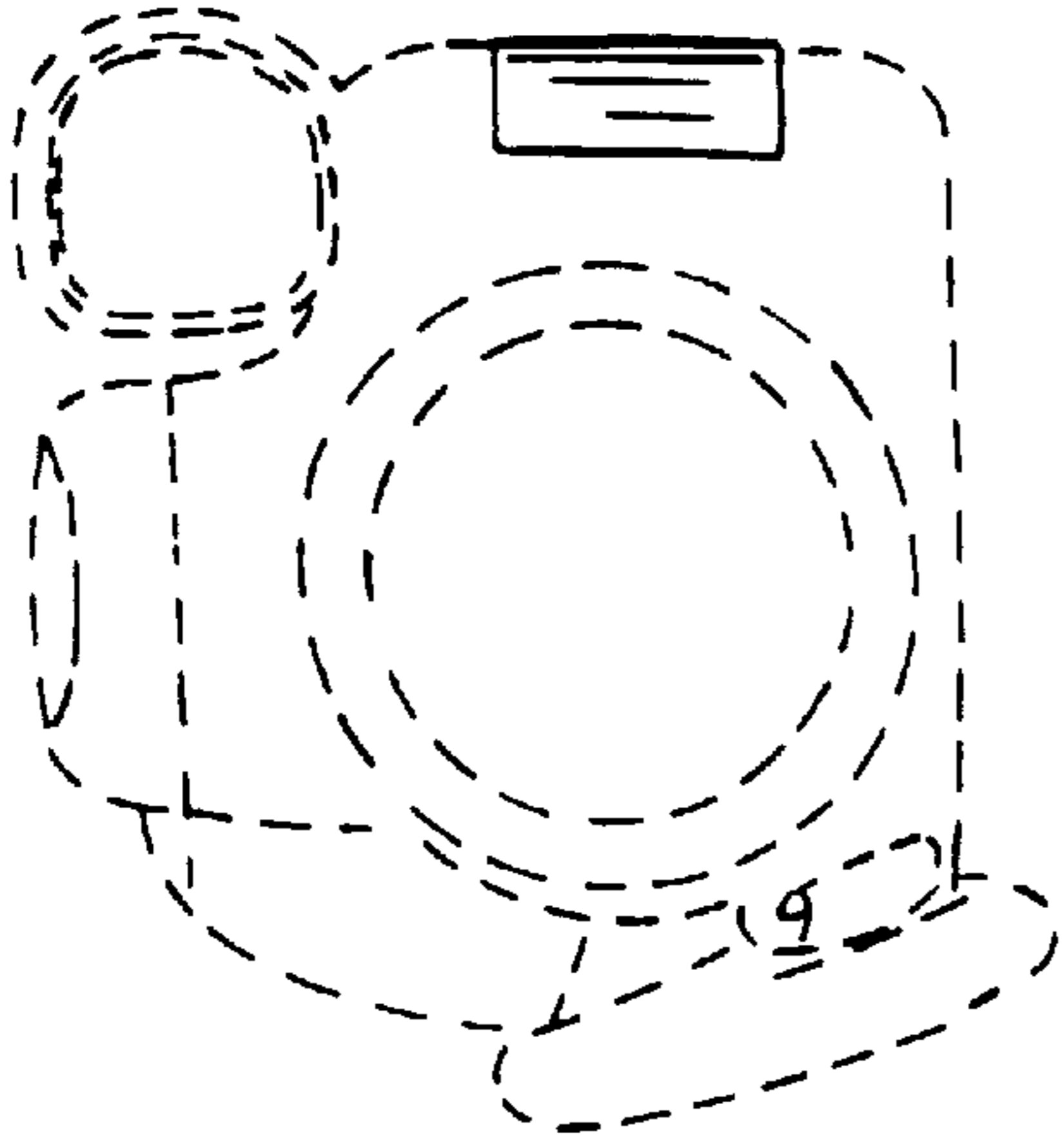


FIG. 5

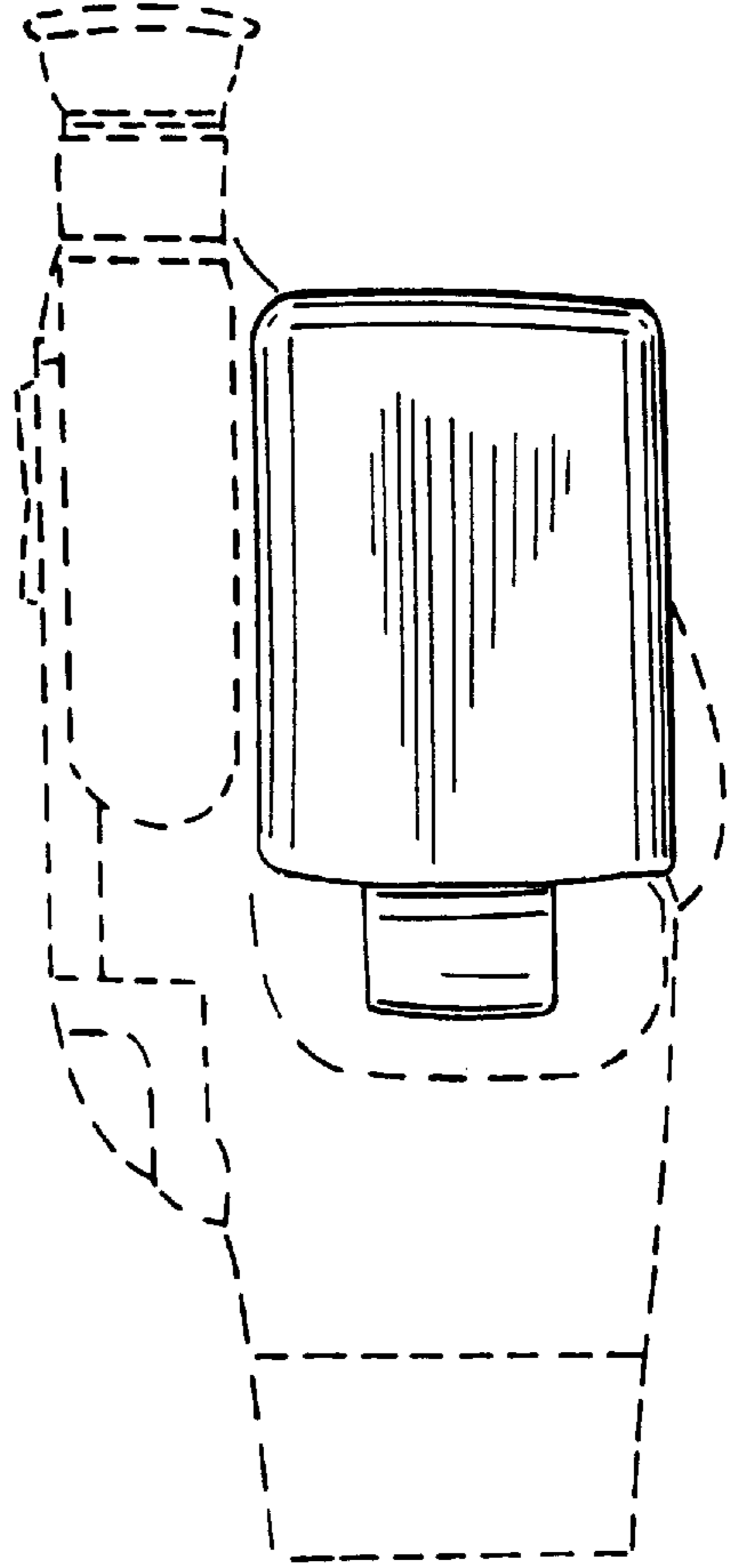


FIG. 3

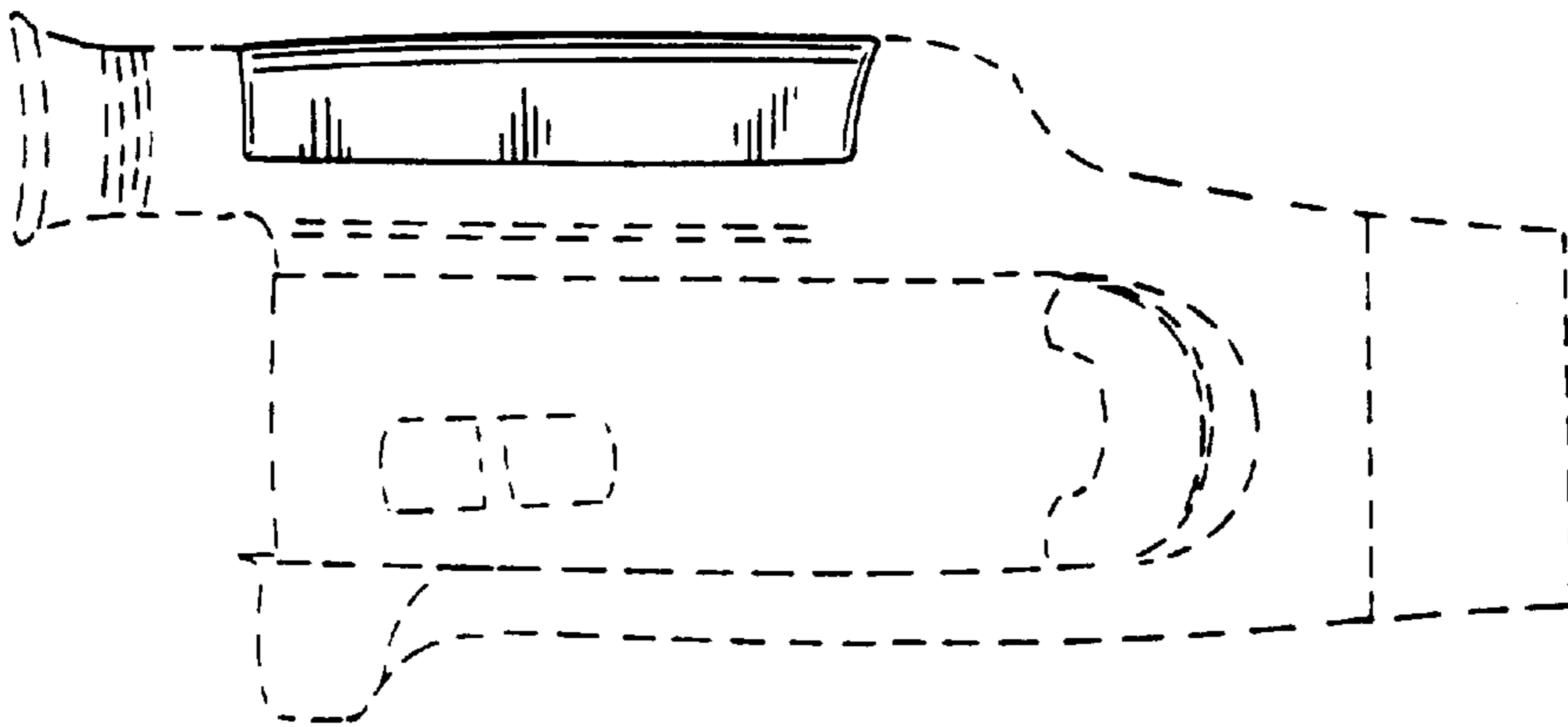


FIG. 6

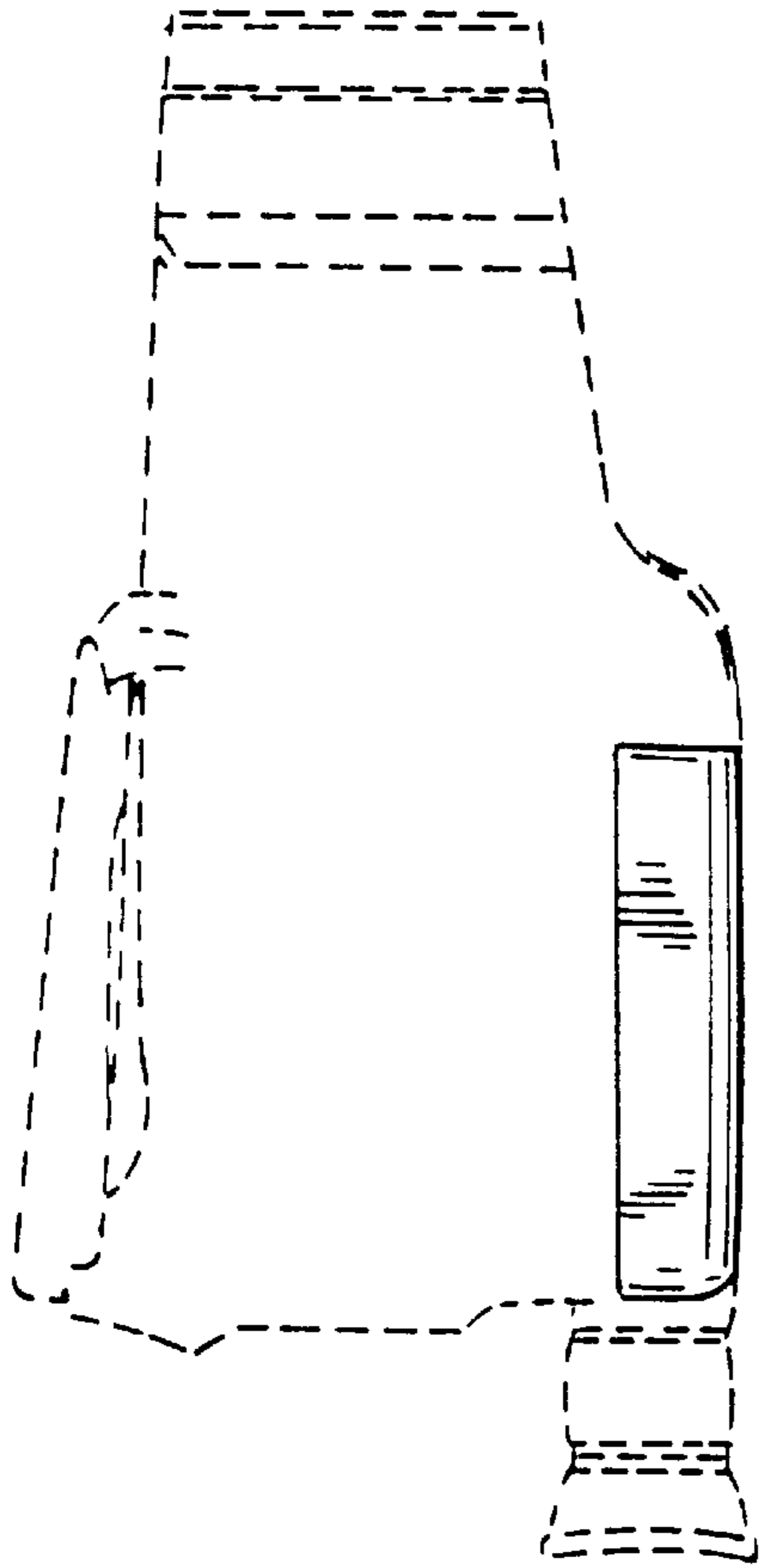


FIG. 7

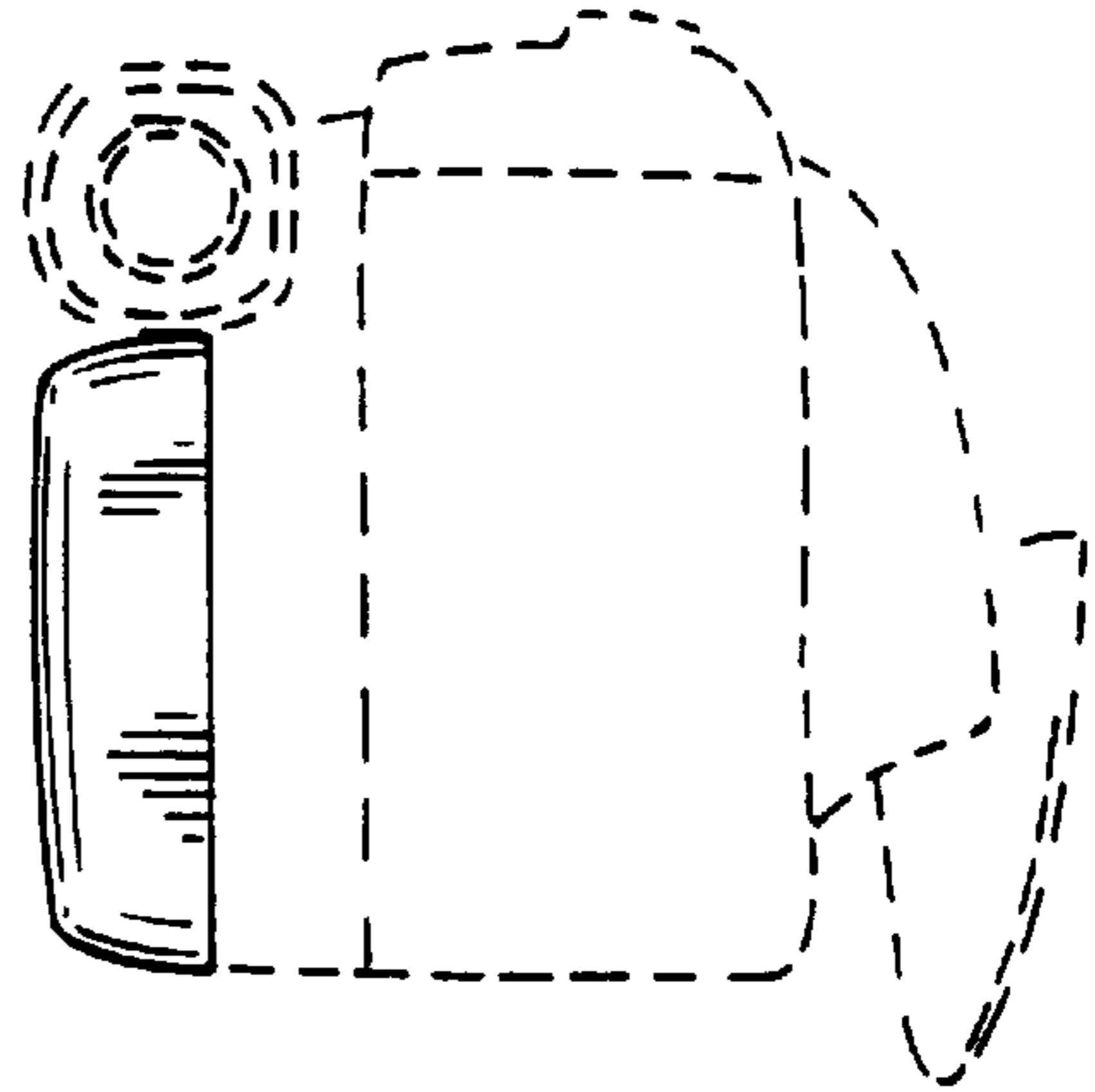


FIG. 8

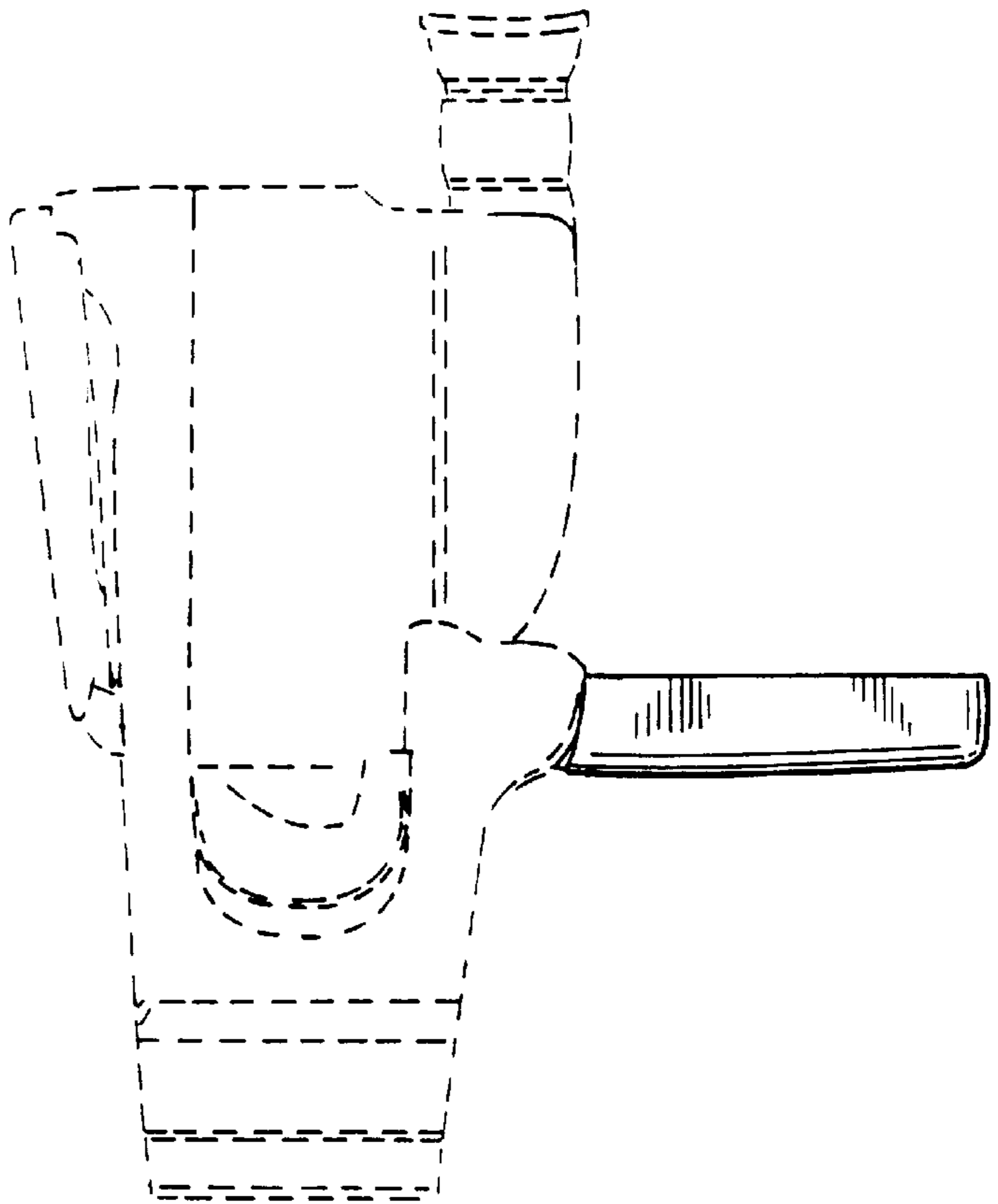


FIG. 9

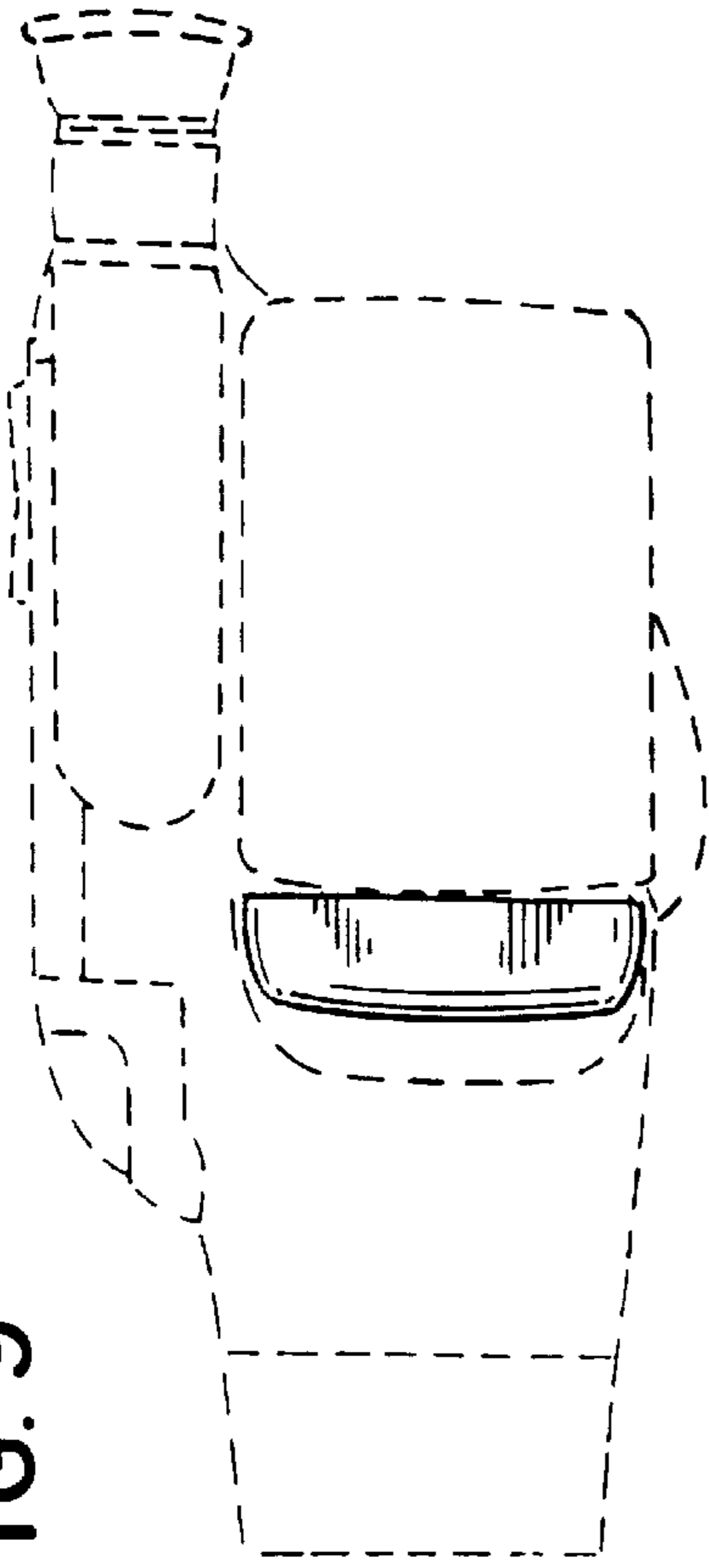


FIG. 11

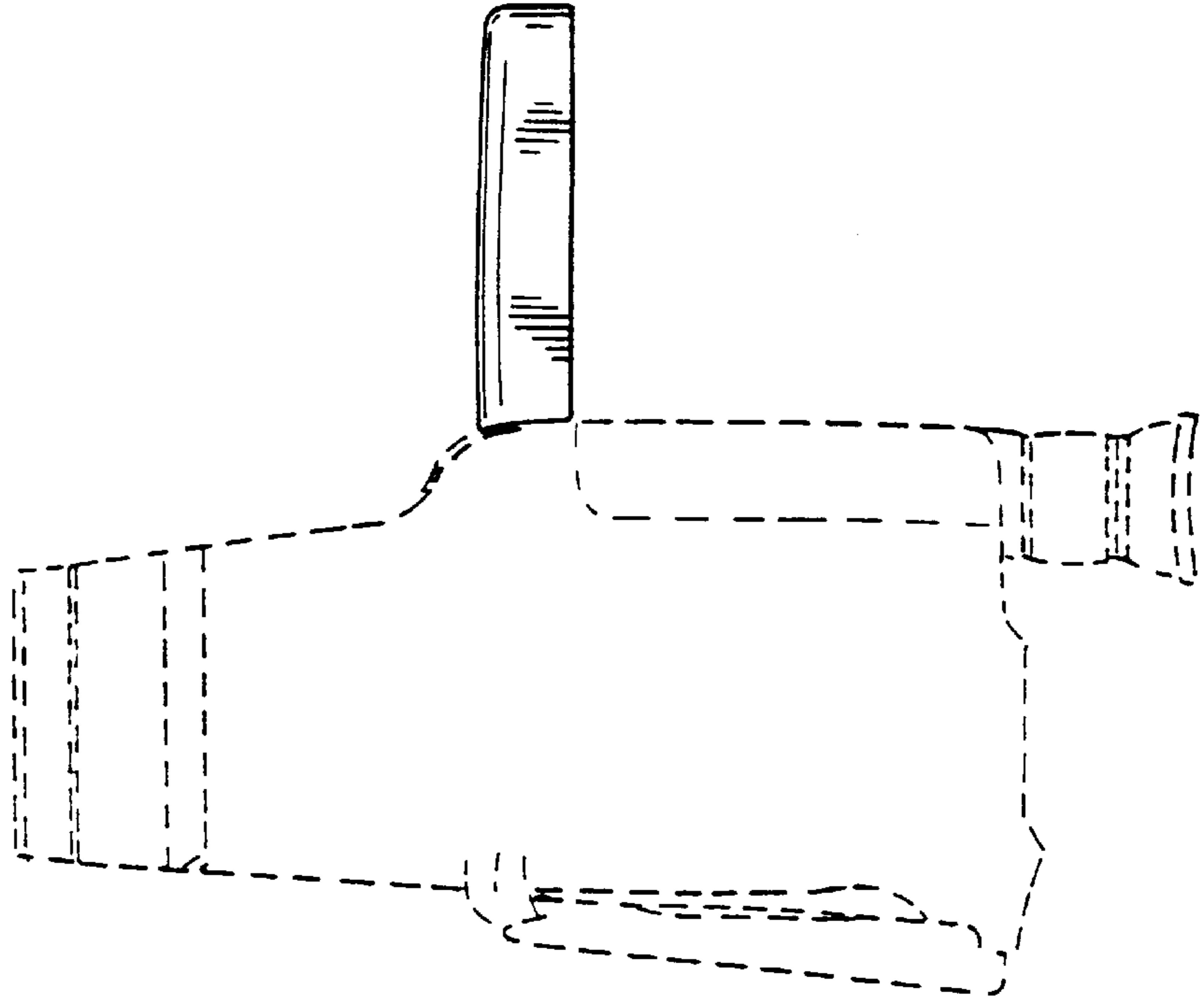


FIG. 10

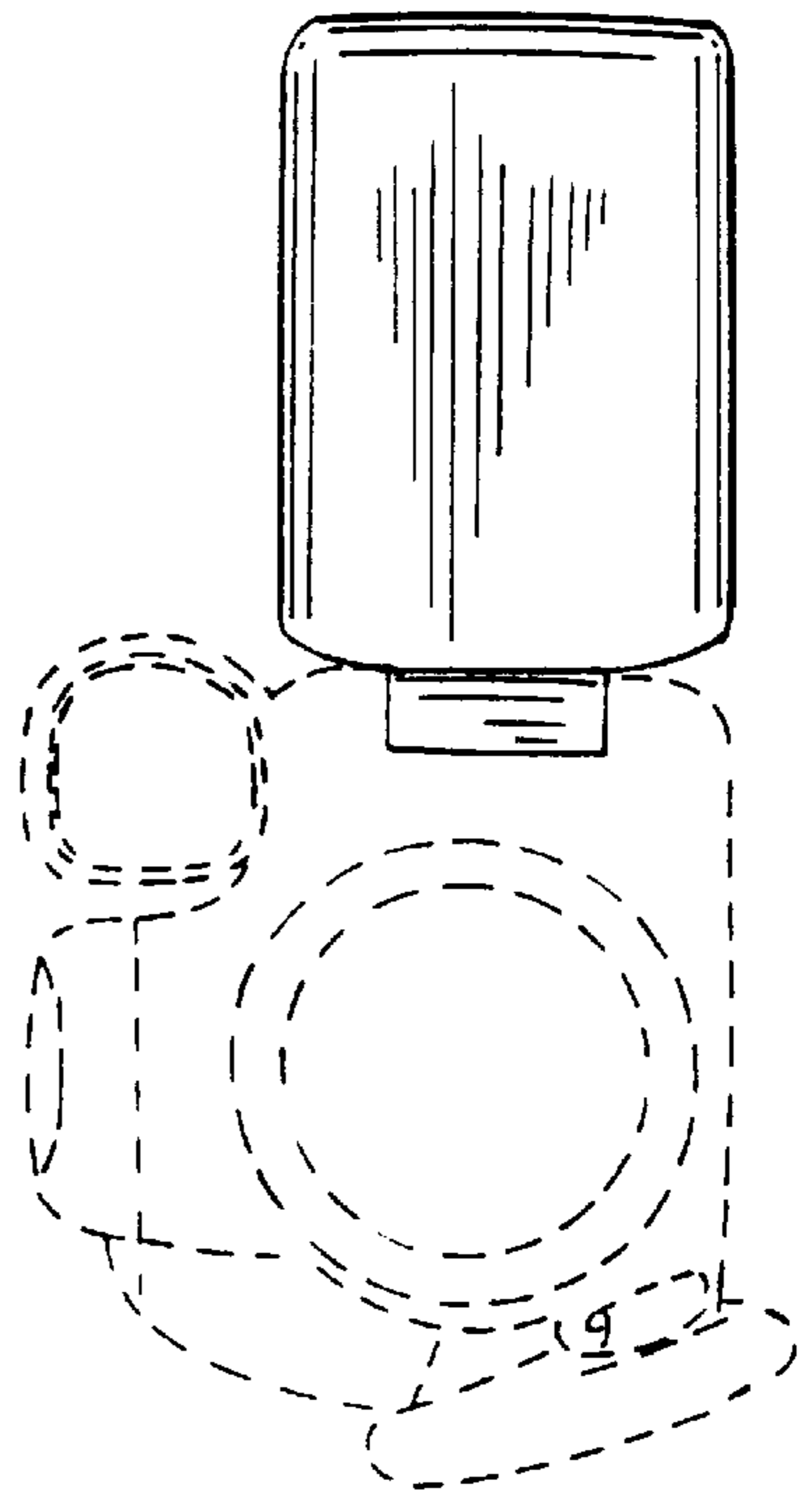


FIG. 12

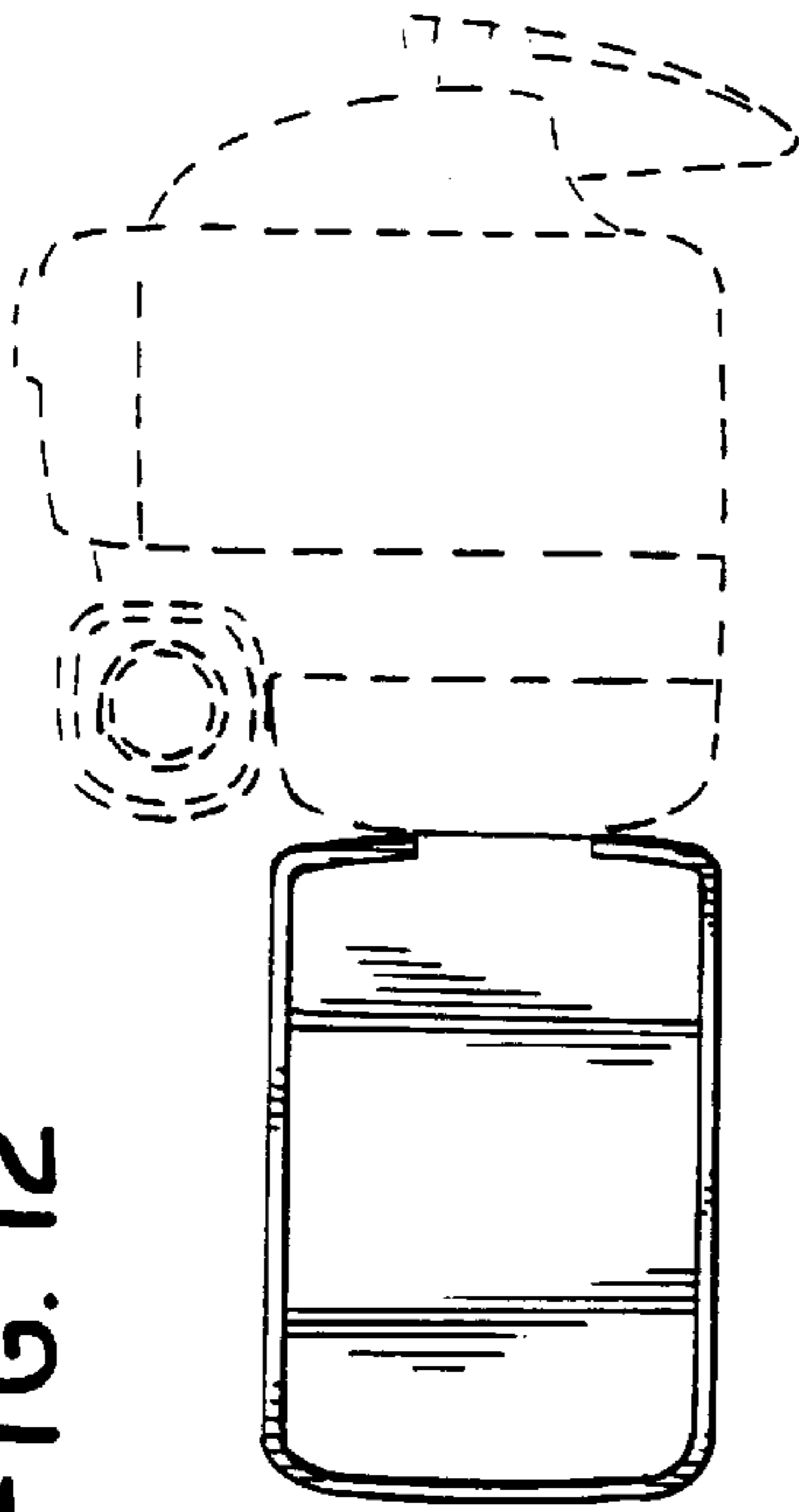


FIG. 13

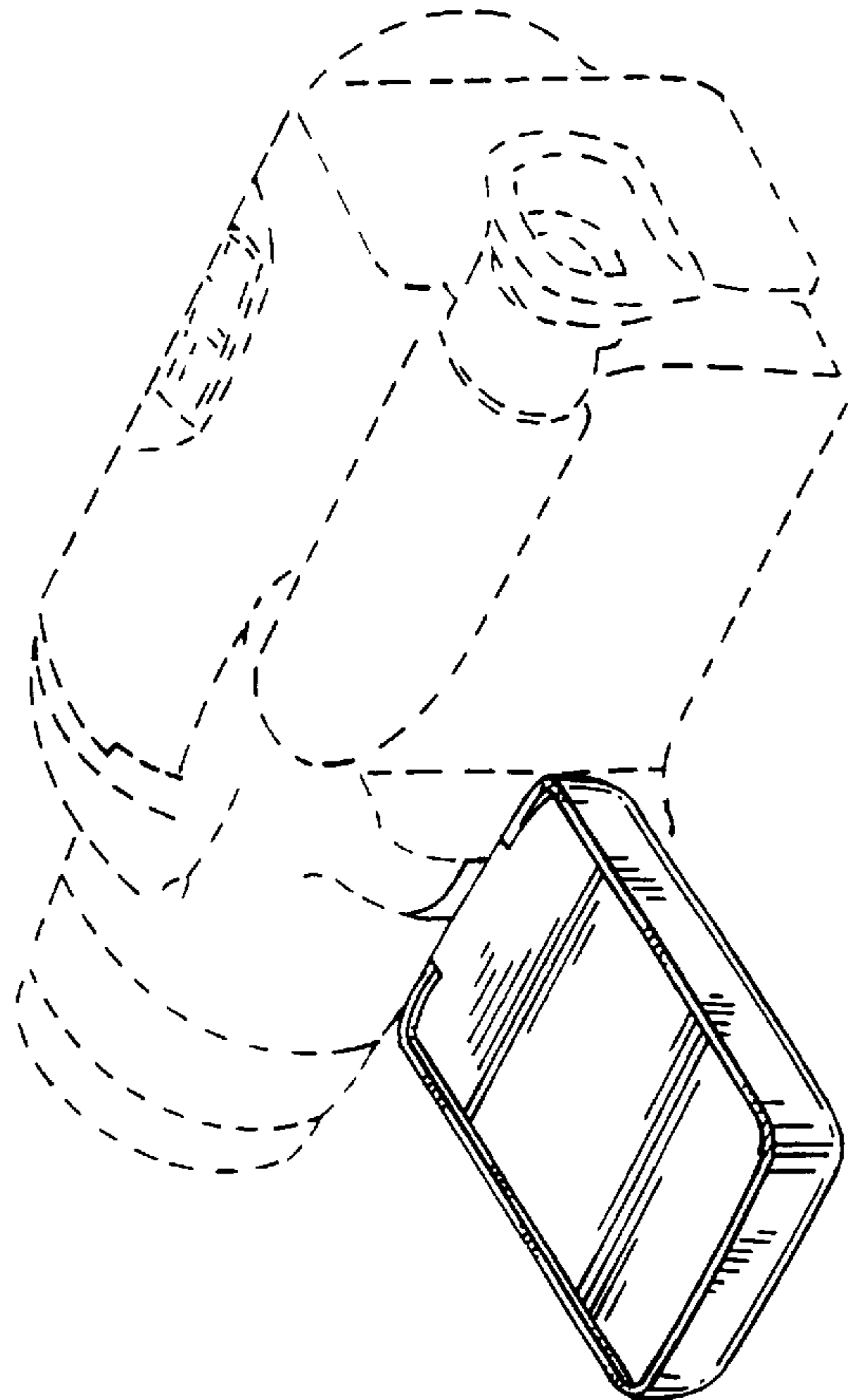


FIG. 14

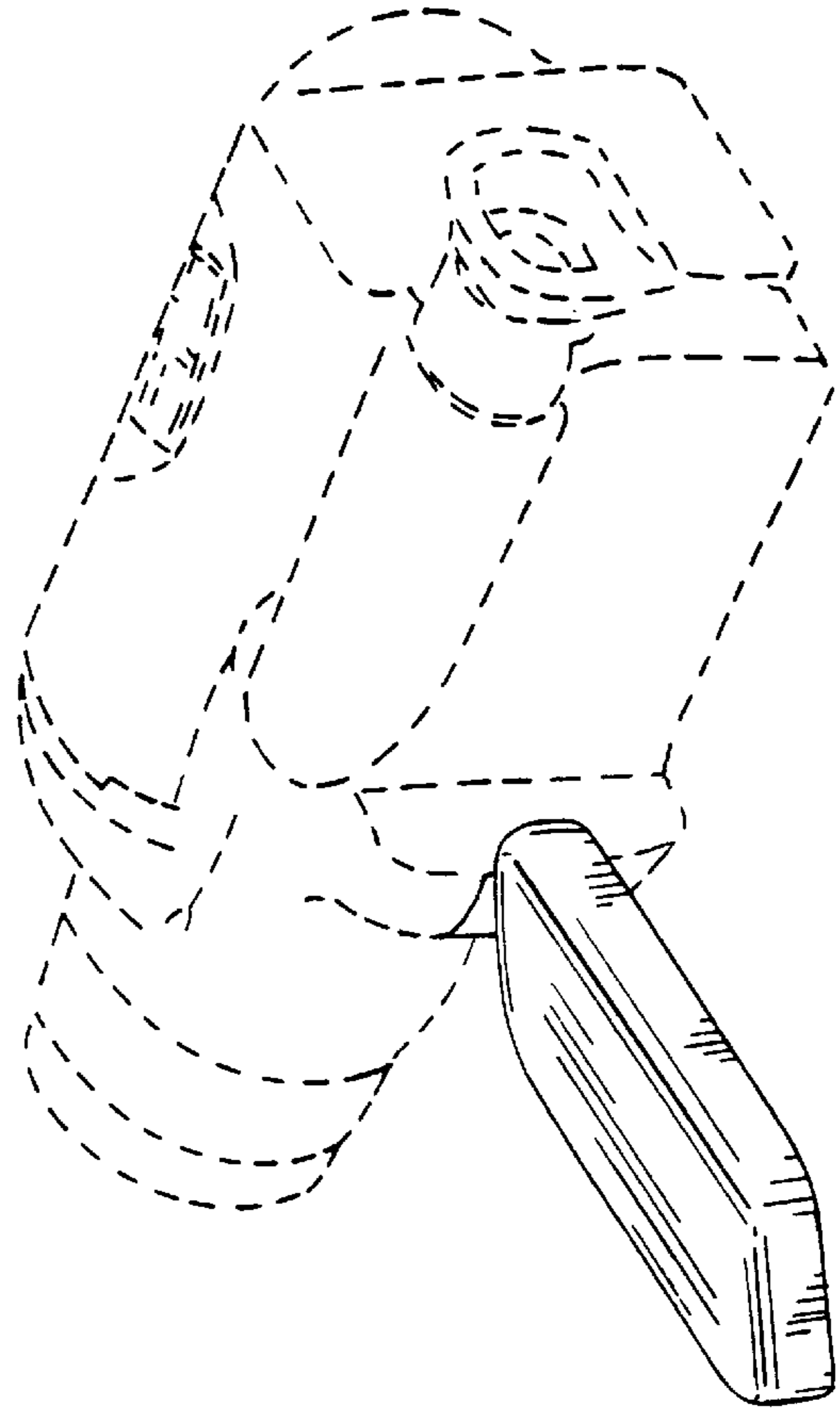


FIG. 15

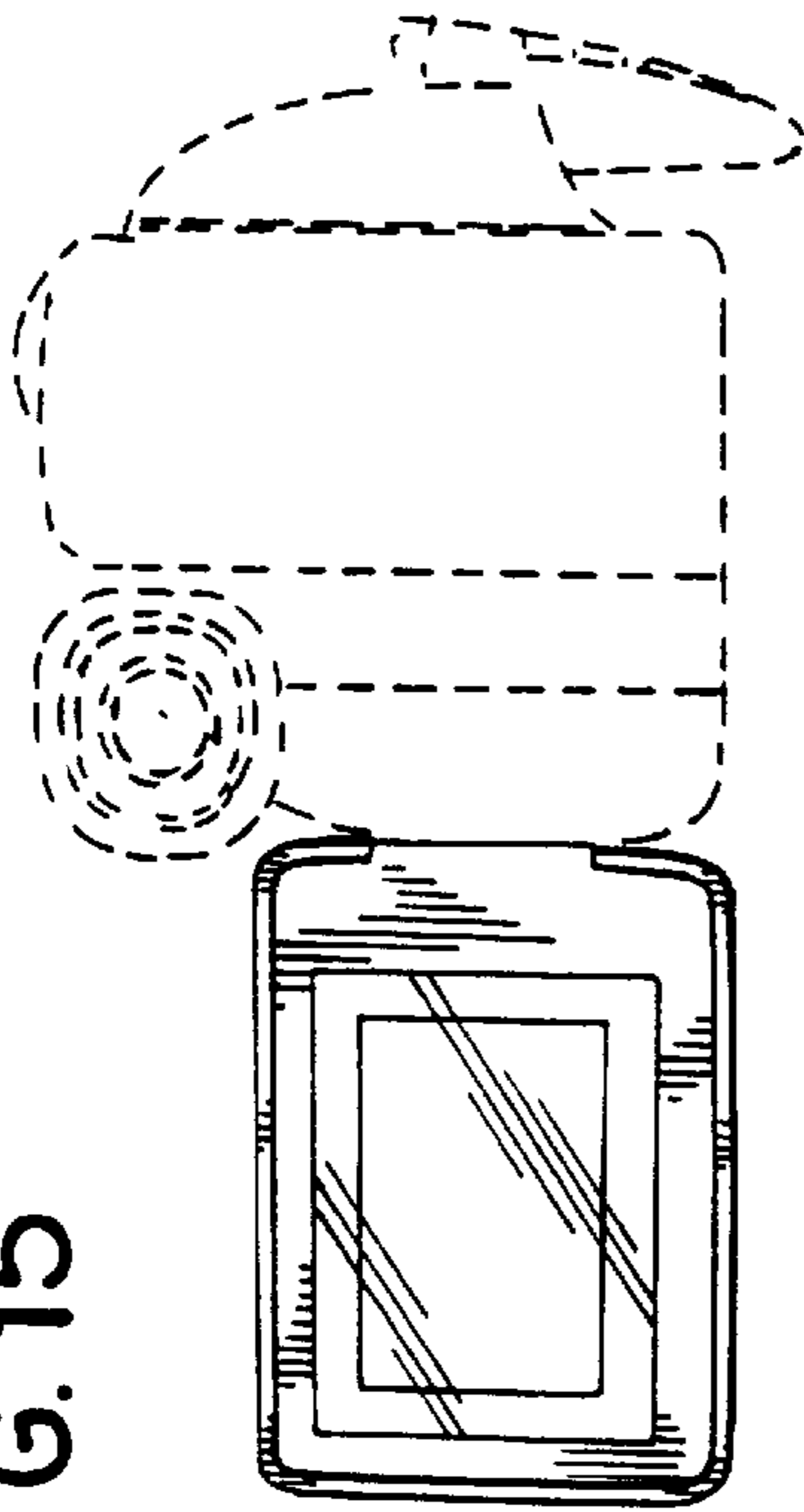


FIG. 16

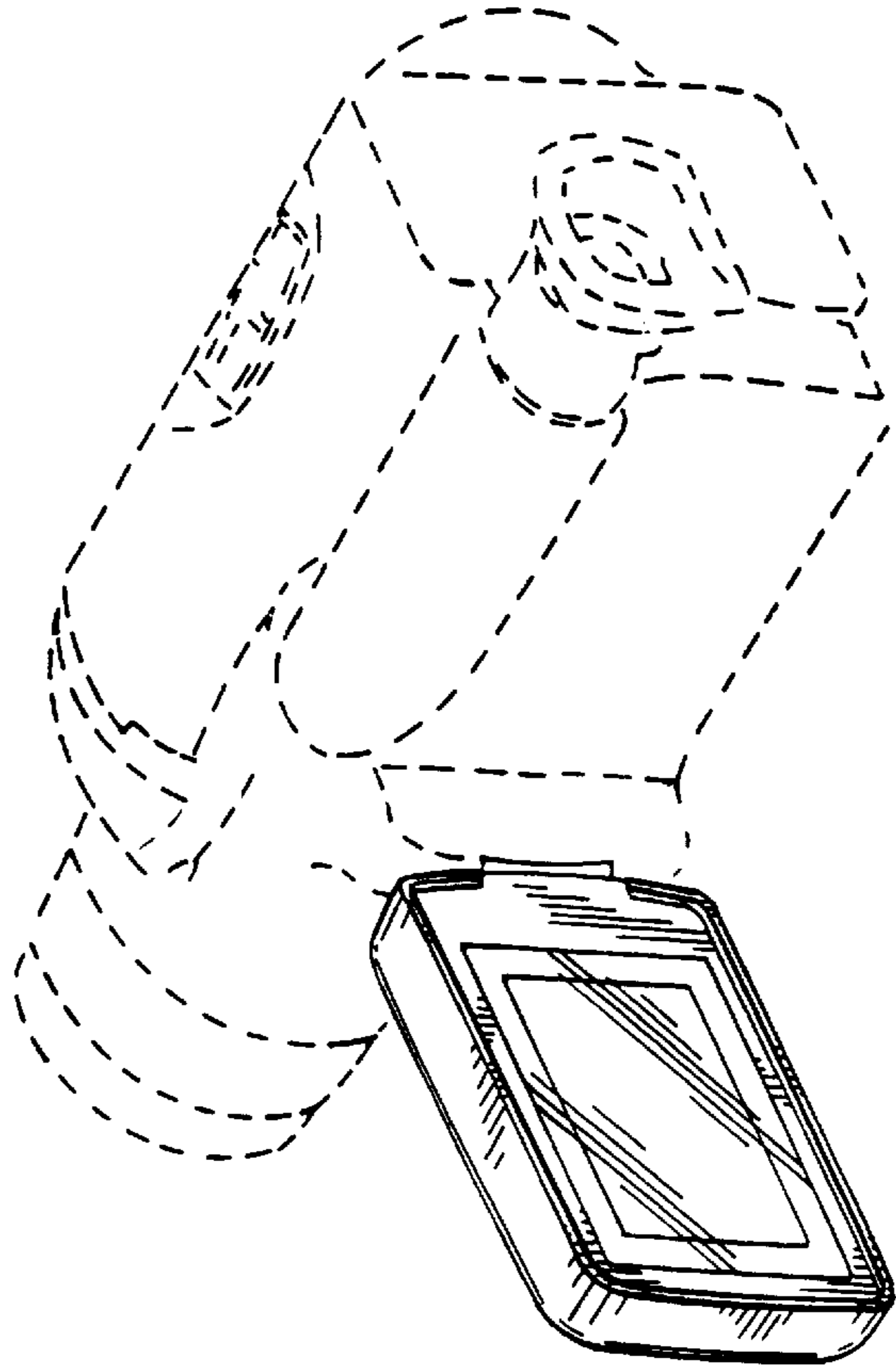


FIG. 17

