



US00D404048S

# United States Patent [19]

[11] Patent Number: **Des. 404,048**

Inaba

[45] Date of Patent: **\*\*Jan. 12, 1999**

[54] **35 MM CAMERA**

4,990,945 2/1991 Cho et al. .... 396/84

[75] Inventor: **Toshiya Inaba**, Tokyo, Japan

*Primary Examiner*—Ted Shooman

*Assistant Examiner*—Adir Aronovich

[73] Assignee: **Asahi Kogaku Kabushiki Kaisha**,  
Tokyo, Japan

*Attorney, Agent, or Firm*—Sughrue, Mion, Zinn, Macpeak  
& Seas, PLLC

[\*\*] Term: **14 Years**

## [57] CLAIM

[21] Appl. No.: **81,263**

The ornamental design for a 35 MM camera, as shown and described.

[22] Filed: **Dec. 29, 1997**

## DESCRIPTION

### [30] Foreign Application Priority Data

Jul. 9, 1997 [JP] Japan ..... 9-60966

FIG. 1 is a top, front and right side perspective view of a 35 MM camera showing my new design with the lens cover closed;

[51] **LOC (6) Cl.** ..... **16-01**

FIG. 2 is a front elevational view thereof;

[52] **U.S. Cl.** ..... **D16/209; D16/218**

FIG. 3 is a top plan view thereof;

[58] **Field of Search** ..... D16/200–205,  
D16/208, 209, 211–213, 216–218; 396/84,  
535–543

FIG. 4 is a bottom plan view thereof;

FIG. 5 is a right side elevational view thereof;

FIG. 6 is a left side elevational view thereof;

FIG. 7 is a rear elevational view thereof;

### [56] References Cited

#### U.S. PATENT DOCUMENTS

D. 336,310 6/1993 Fukushima et al. .... D16/209

D. 359,298 6/1995 Matsuda ..... D16/209

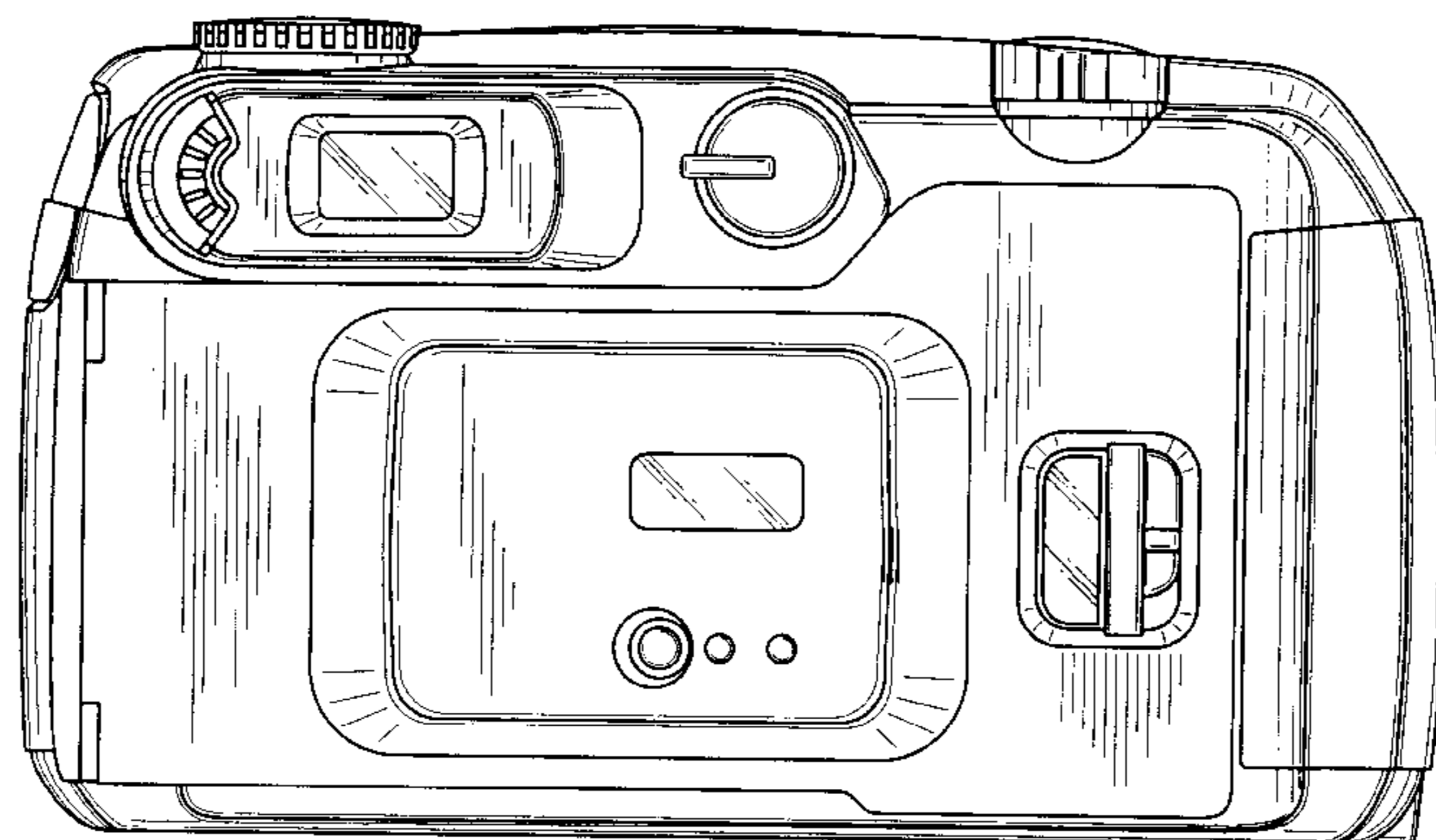
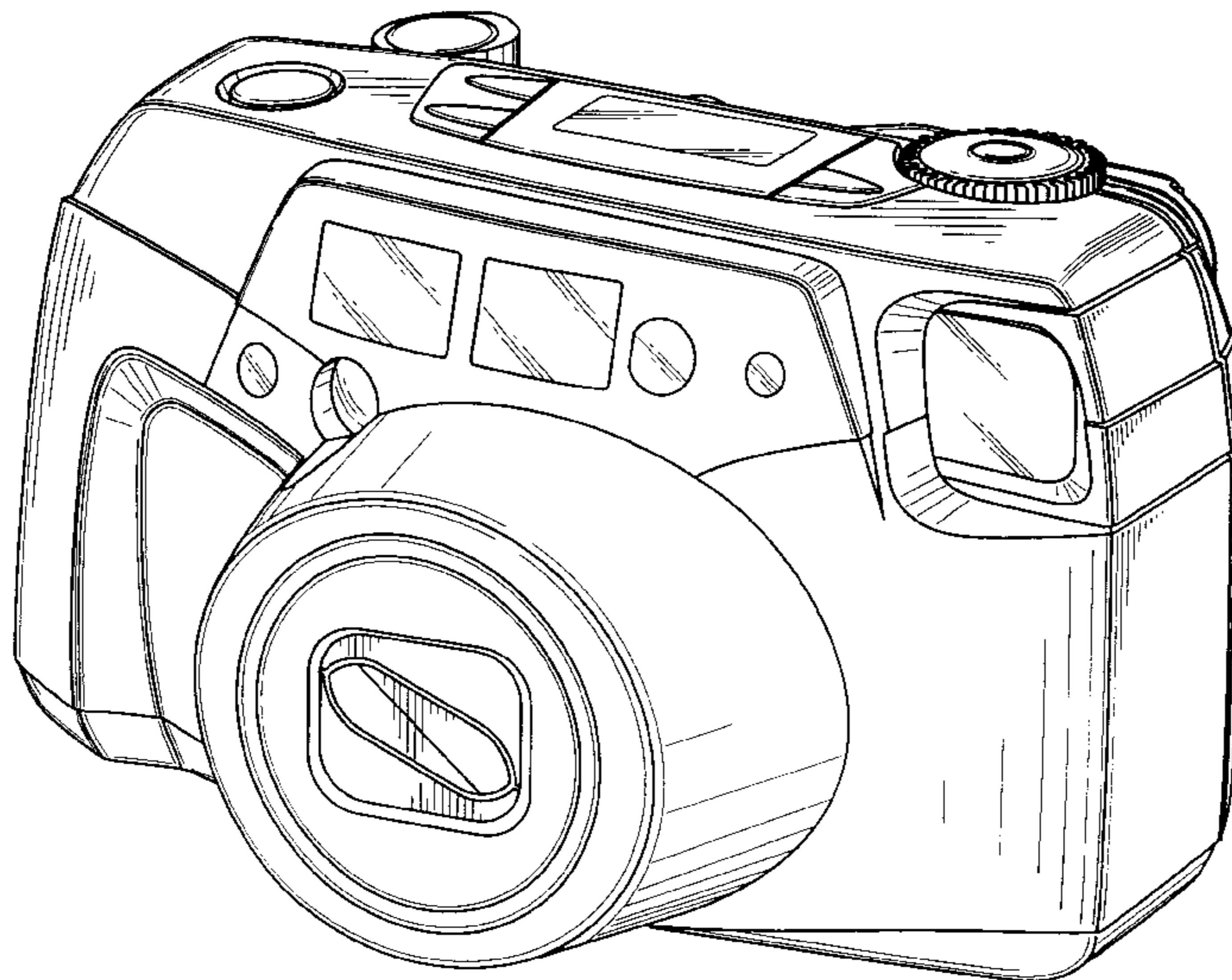
D. 370,923 6/1996 Hayashi ..... D16/209

D. 381,998 8/1997 Koinuma ..... D16/209

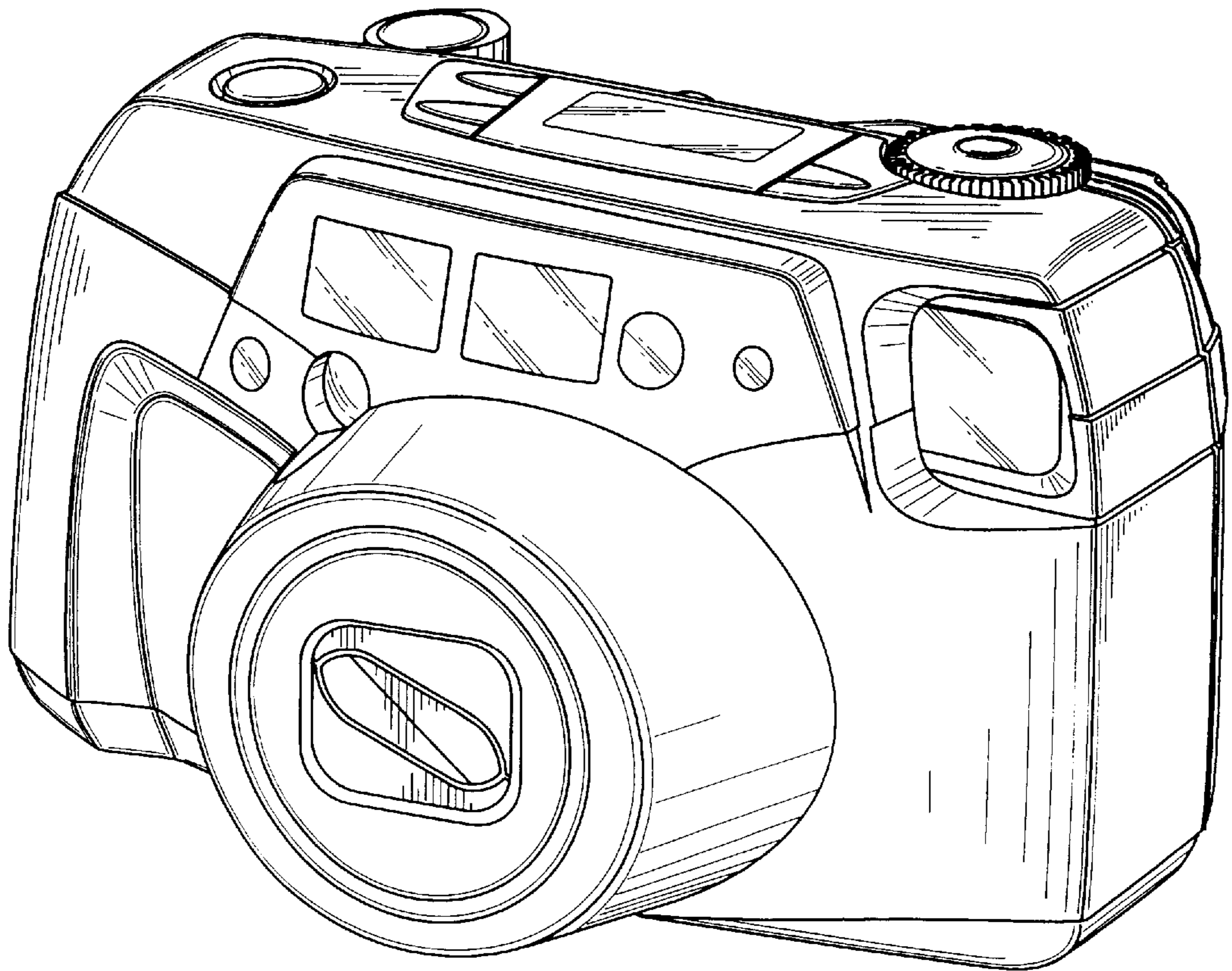
FIG. 8 is a perspective view similar to FIG. 1 with the lens cover open, the flash in extended and the lens in partially extended position; and,

FIG. 9 is a perspective view thereof, with the flash in extended and the lens in fully extended position.

**1 Claim, 5 Drawing Sheets**



*FIG. 1*



*FIG. 2*

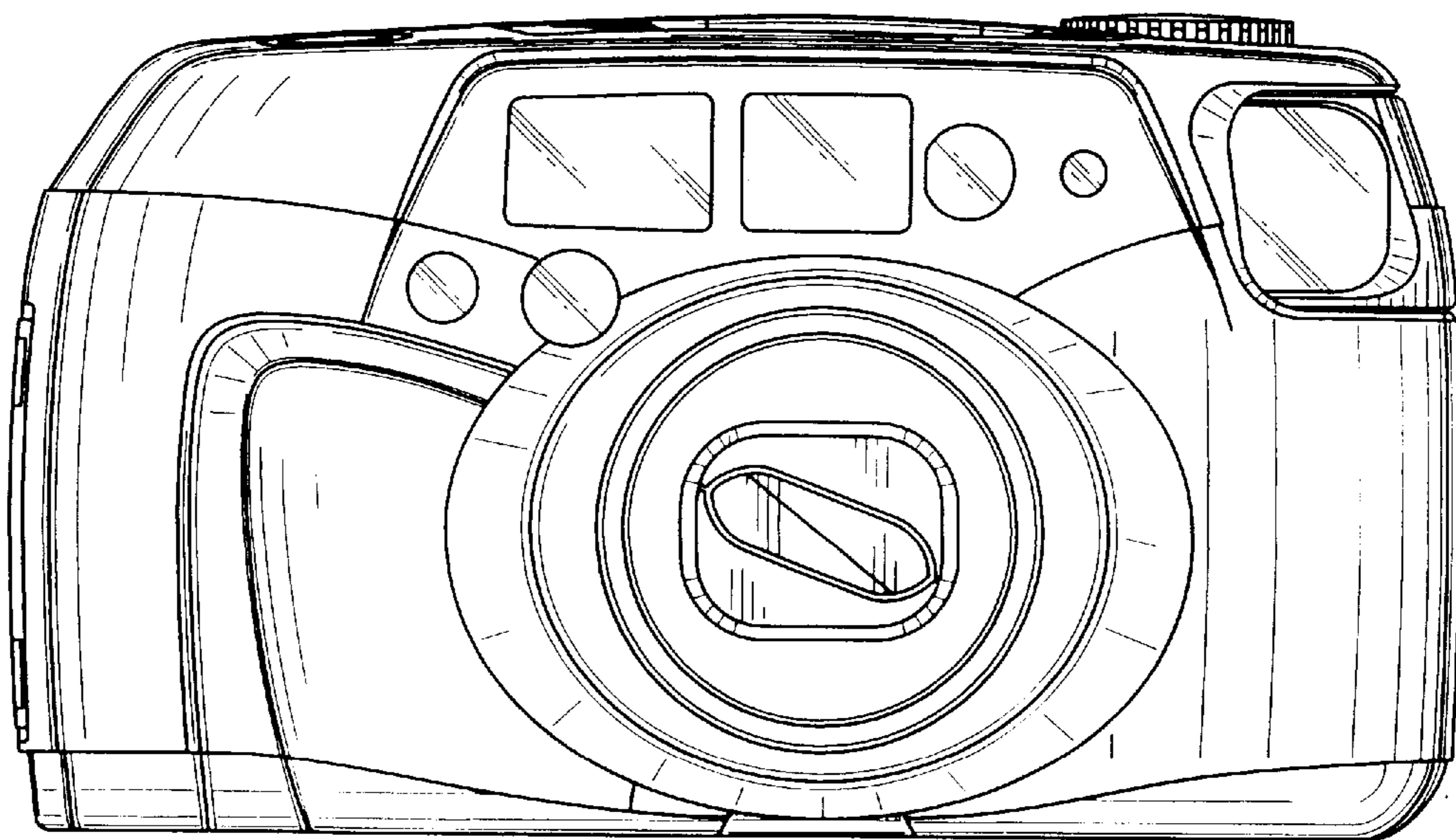


FIG. 3

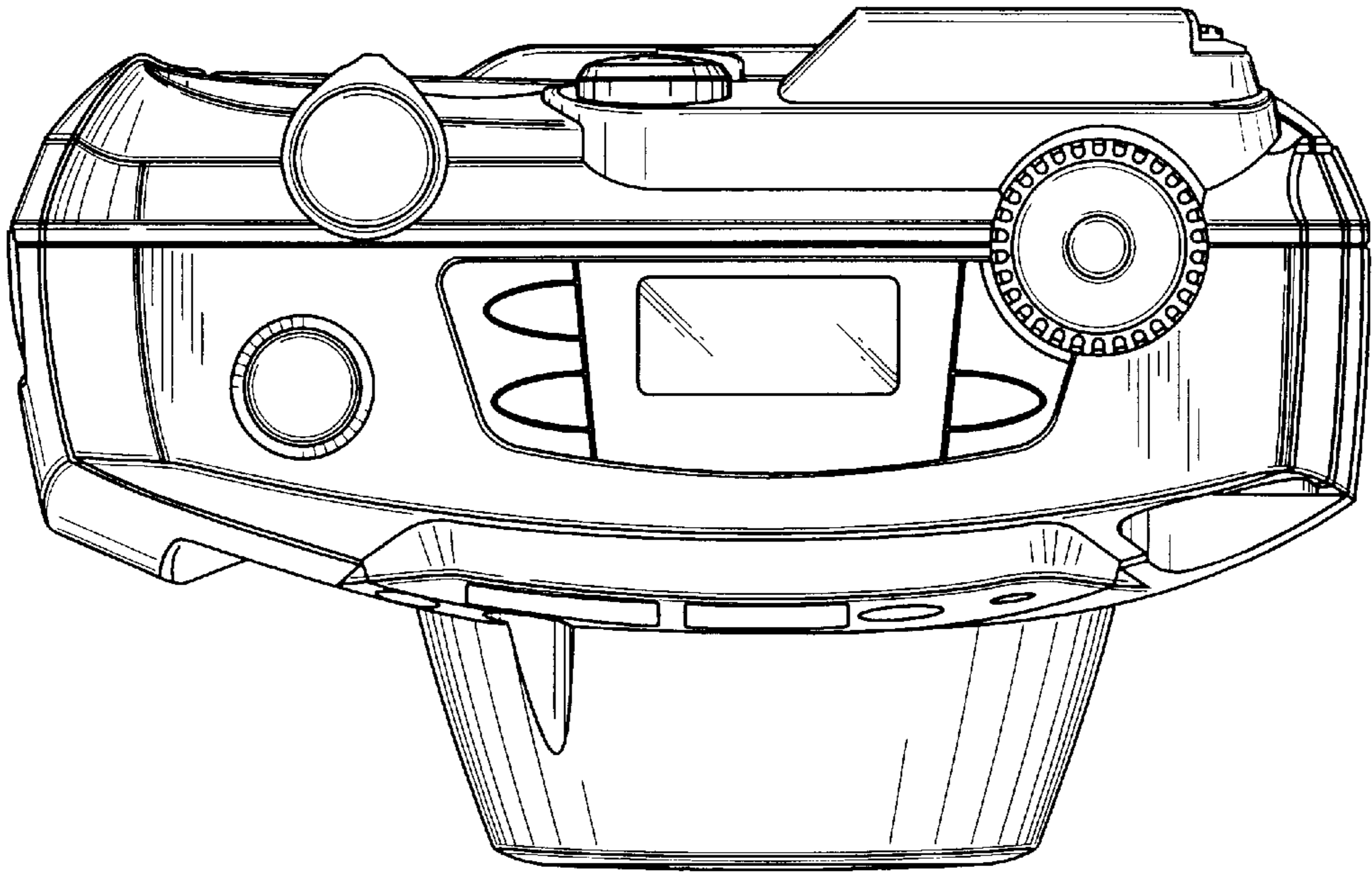


FIG. 4

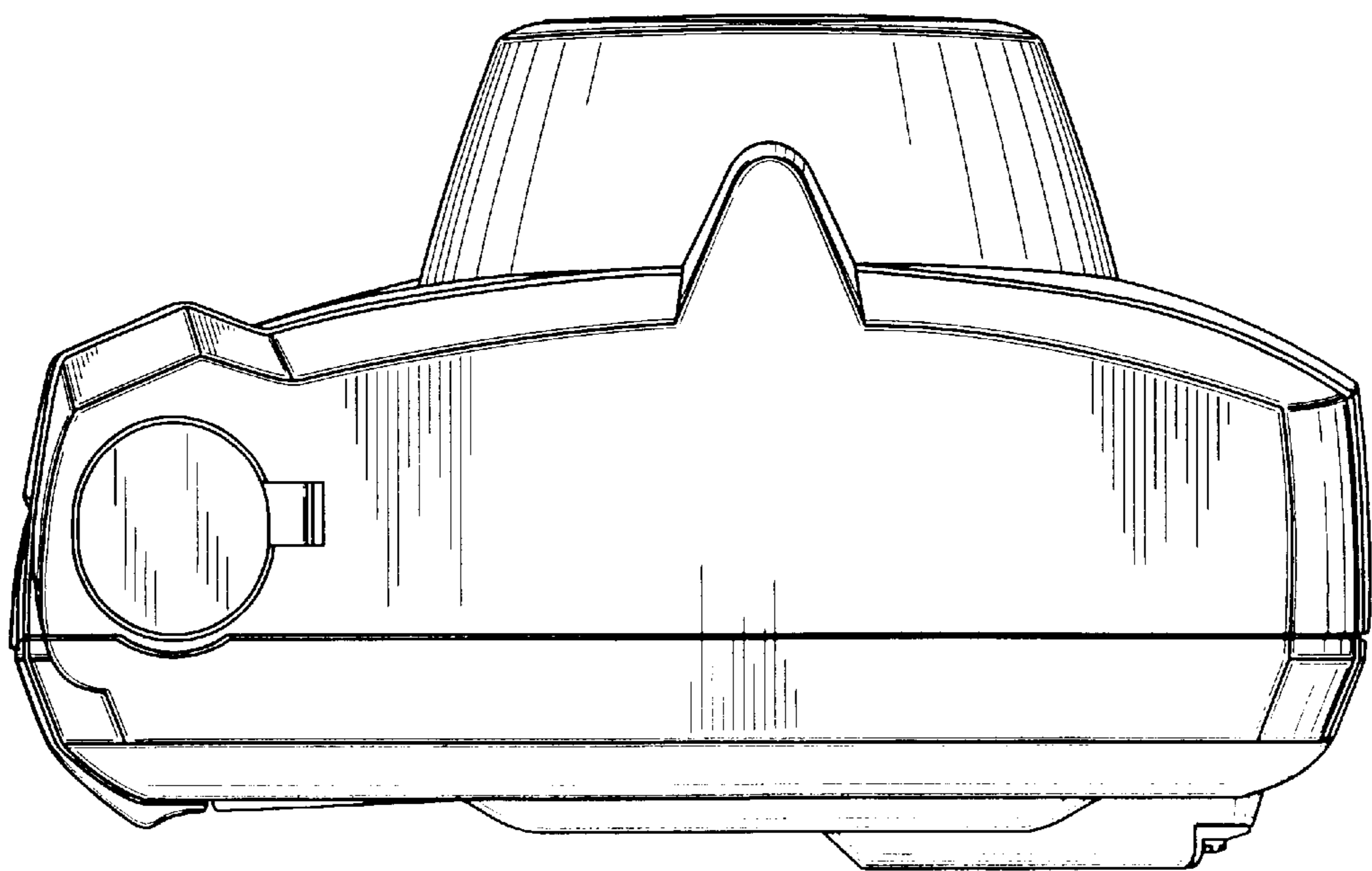


FIG. 5

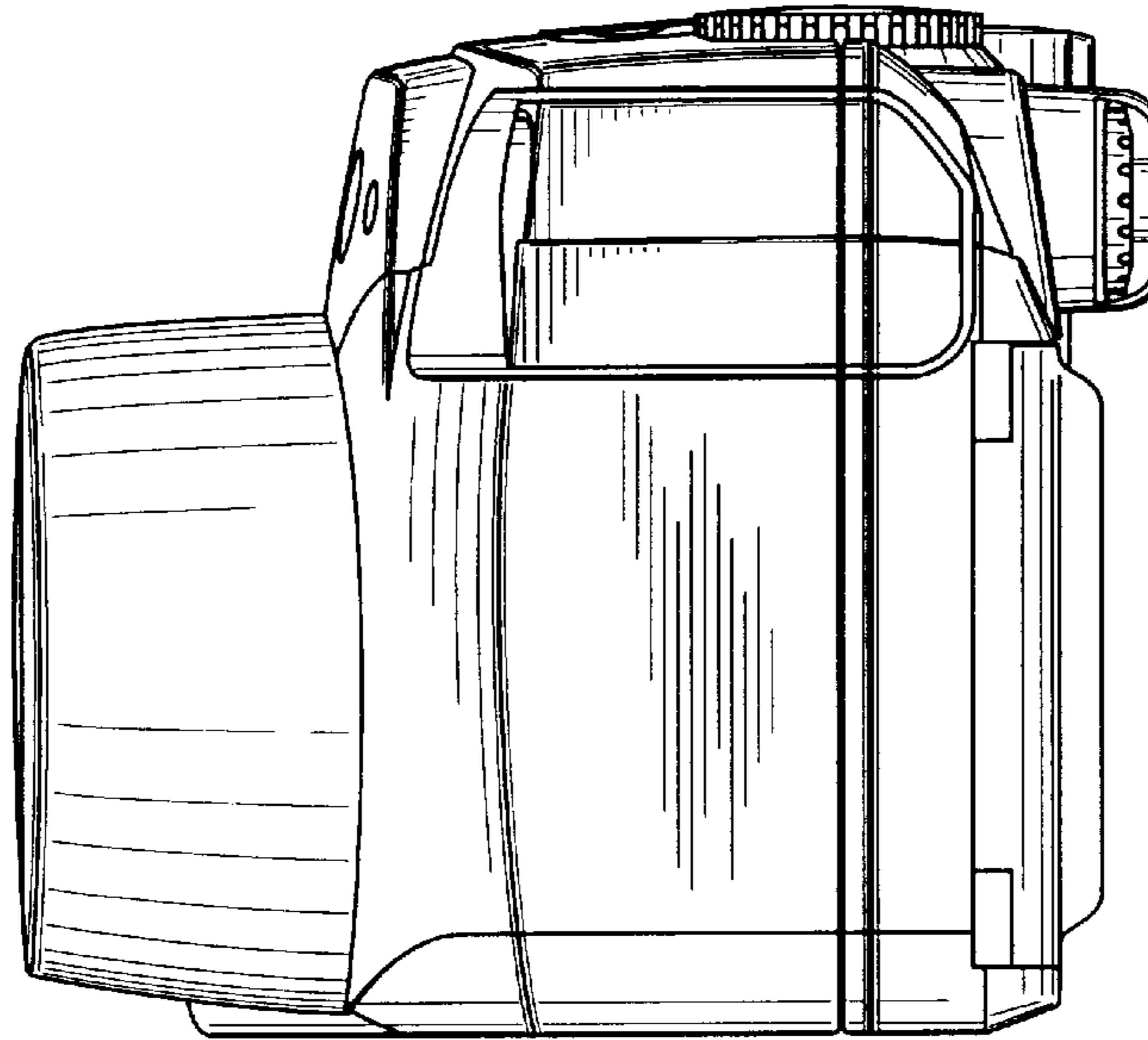


FIG. 6

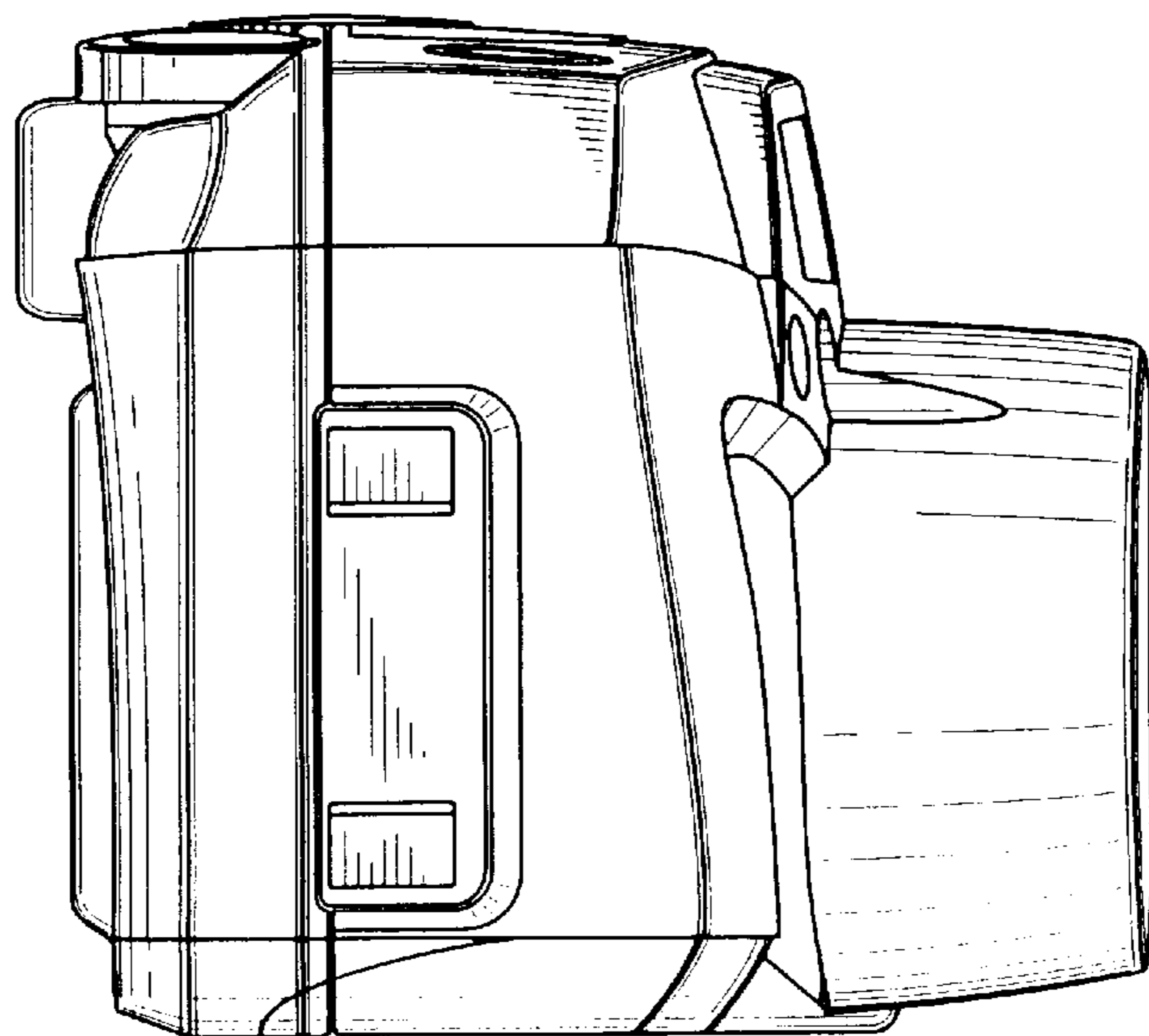


FIG. 7

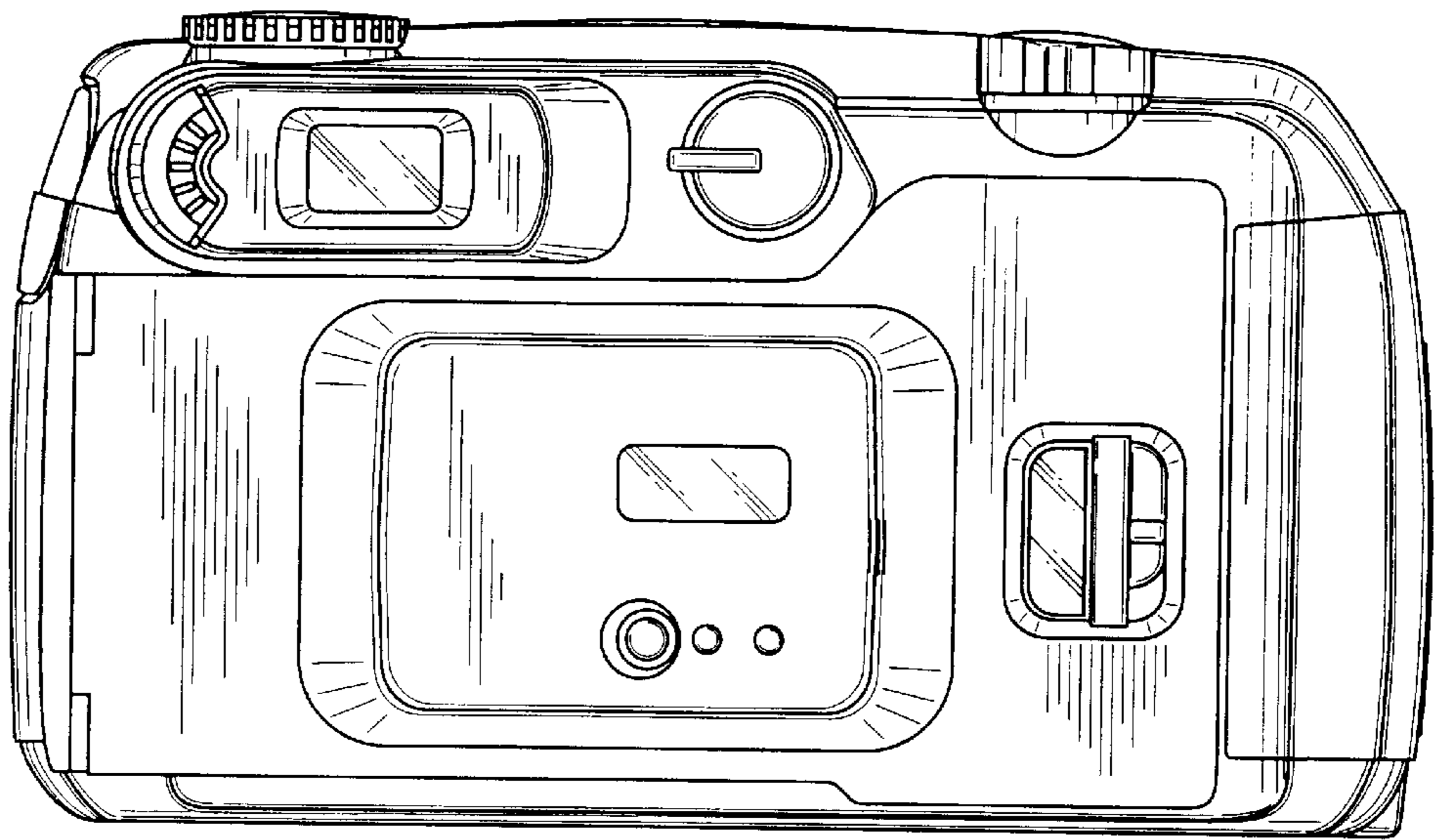


FIG. 8

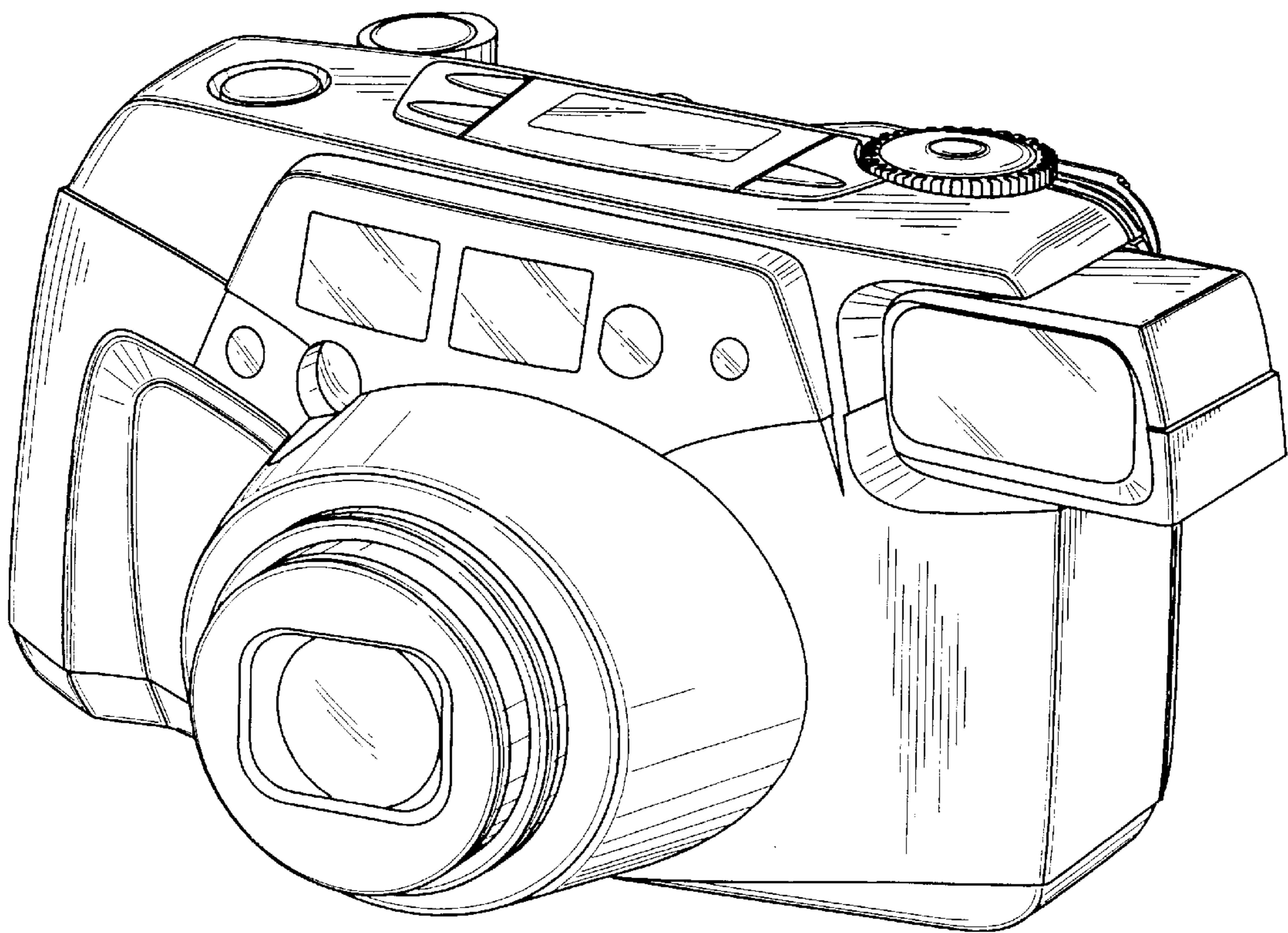


FIG. 9

