



US00D404047S

# United States Patent [19] Ishii

[11] **Patent Number: Des. 404,047**

[45] **Date of Patent: \*\*Jan. 12, 1999**

[54] **VIDEO CAMERA COMBINED WITH VIDEO TAPE RECORDER**

[75] Inventor: **Daisuke Ishii**, Tokyo, Japan

[73] Assignee: **Sony Corporation**, Tokyo, Japan

[\*\*] Term: **14 Years**

[21] Appl. No.: **49,757**

[22] Filed: **Jan. 30, 1996**

[51] **LOC (6) Cl.** ..... **16-01**

[52] **U.S. Cl.** ..... **D16/202**

[58] **Field of Search** ..... D16/200-206;  
348/373-376; 352/34, 242, 243; 354/64,  
82, 288; 358/906

[56] **References Cited**

**U.S. PATENT DOCUMENTS**

D. 346,615	5/1994	Sumita	.....	D16/202
D. 350,360	9/1994	Masuda	.....	D16/202
D. 355,664	2/1995	Kataoka	.....	D16/202
D. 372,721	8/1996	Tanaka	.....	D16/202
5,305,030	4/1994	Yokoyama et al.	.....	354/64

**FOREIGN PATENT DOCUMENTS**

4-84571	3/1992	Japan	.....	H04N 5/225
---------	--------	-------	-------	------------

*Primary Examiner*—Philip S. Hyder  
*Assistant Examiner*—Adir Aronovich  
*Attorney, Agent, or Firm*—Cooper & Dunham LLP

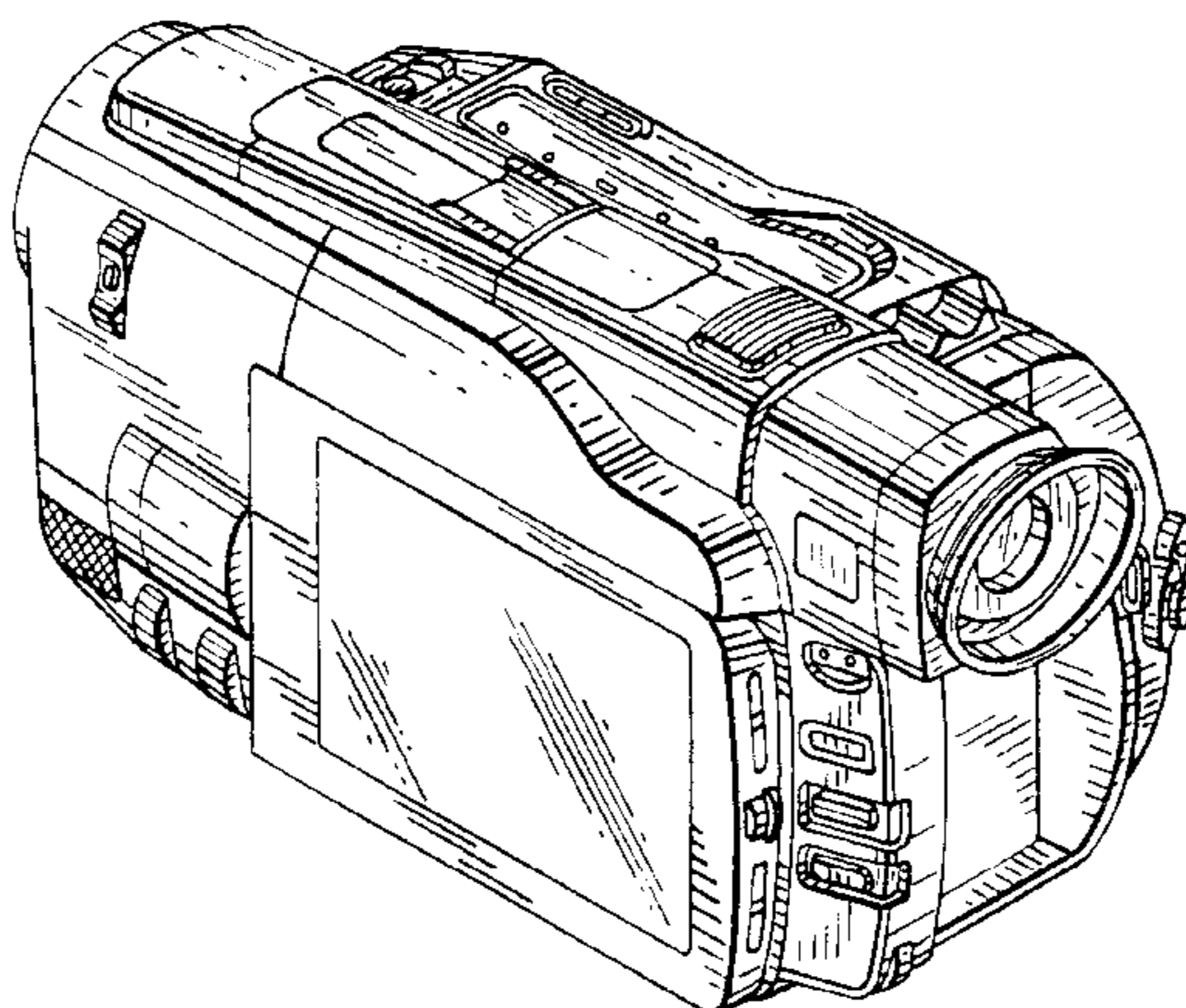
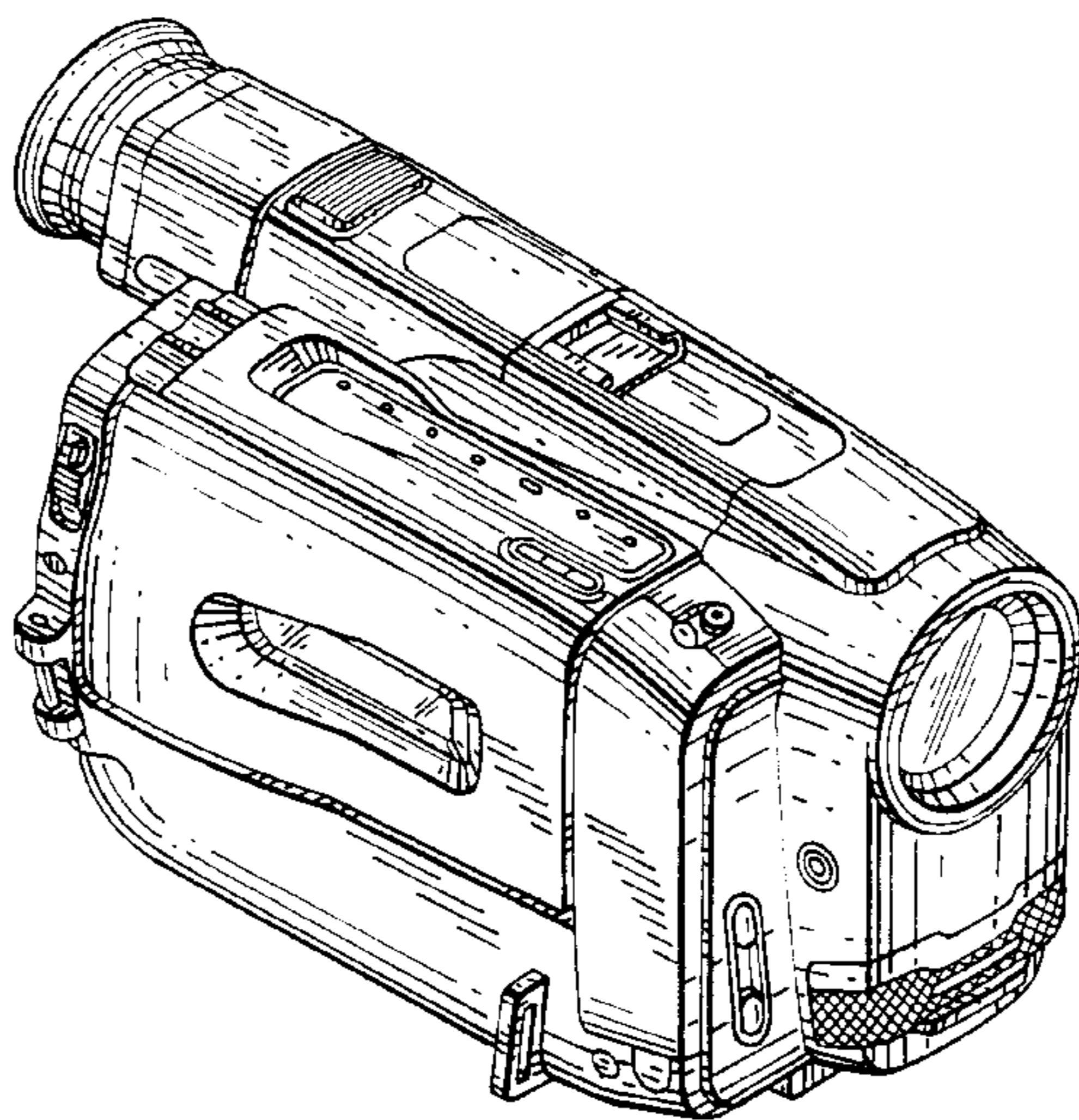
[57] **CLAIM**

The ornamental design for a video camera combined with video tape recorder, as shown and described.

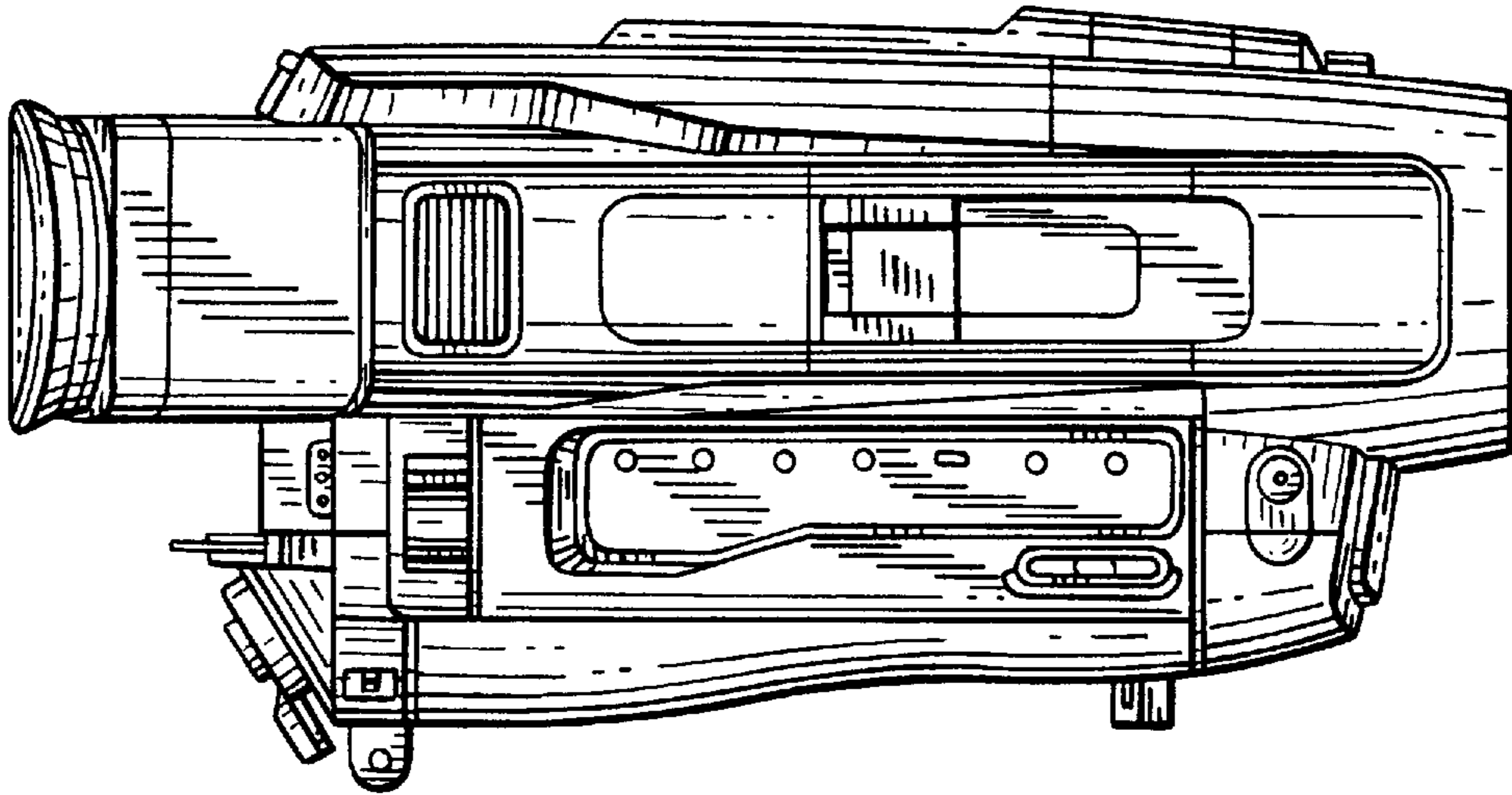
**DESCRIPTION**

FIG. 1 is a top plan view of a video camera combined with video tape recorder showing my new design; FIG. 2 is a left-side elevational view thereof; FIG. 3 is a front elevational view thereof; FIG. 4 is a right-side elevational view thereof; FIG. 5 is a bottom plan view thereof; FIG. 6 is a rear elevational view thereof; FIG. 7 is a top, front and left-side perspective view thereof; FIG. 8 is a top, front and left-side perspective view thereof in open position; FIG. 9 is a top, rear and right side perspective view thereof, the viewing screen shown in a first alternate position; FIG. 10 is a top, rear and right side perspective view thereof, the viewing screen shown in a second alternate position; FIG. 11 is a top, rear and right side perspective view thereof, the viewing screen shown in a third alternate position; and, FIG. 12 is a top, rear and right side perspective view thereof, the viewing screen shown in a fourth alternate position.

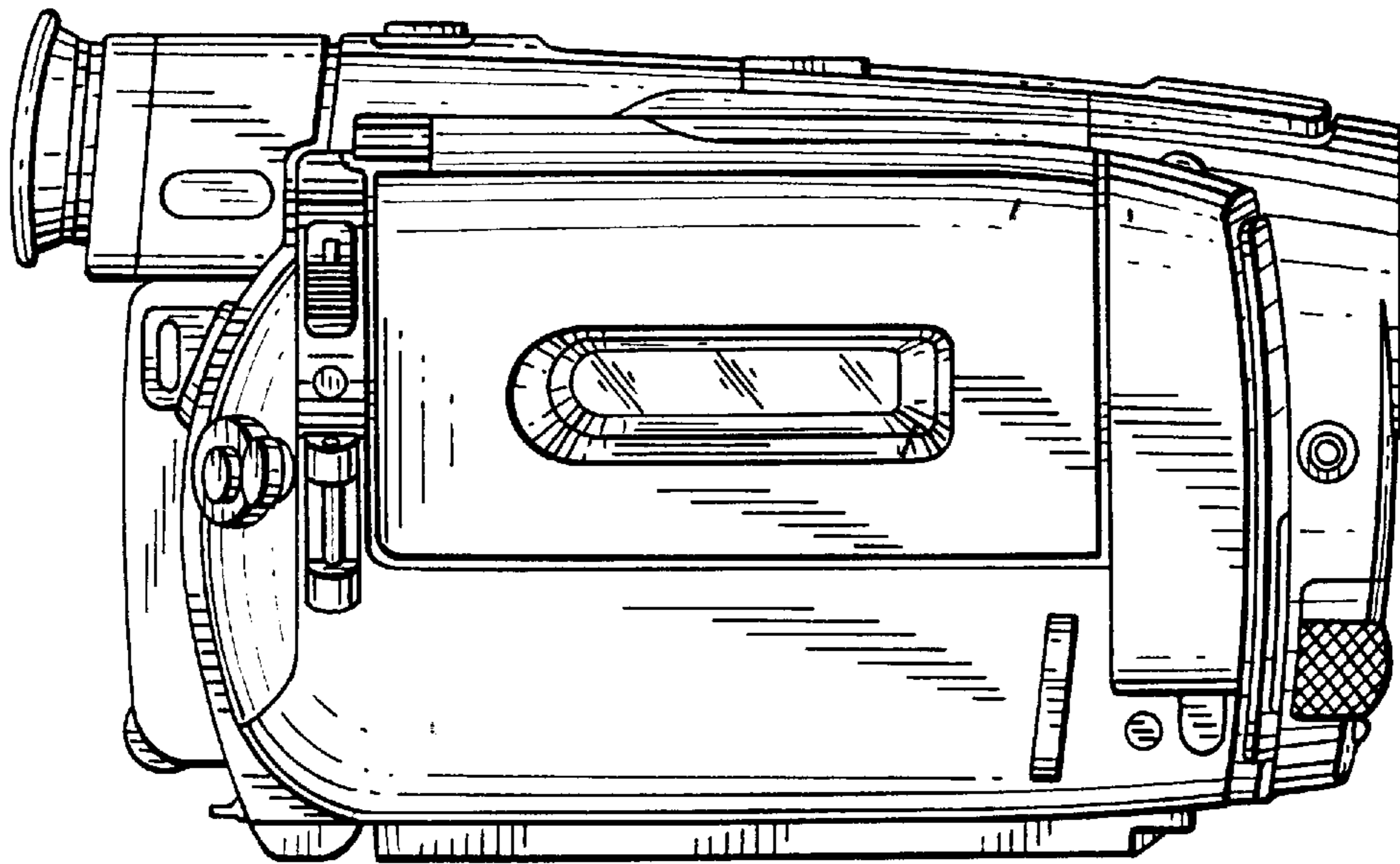
**1 Claim, 6 Drawing Sheets**



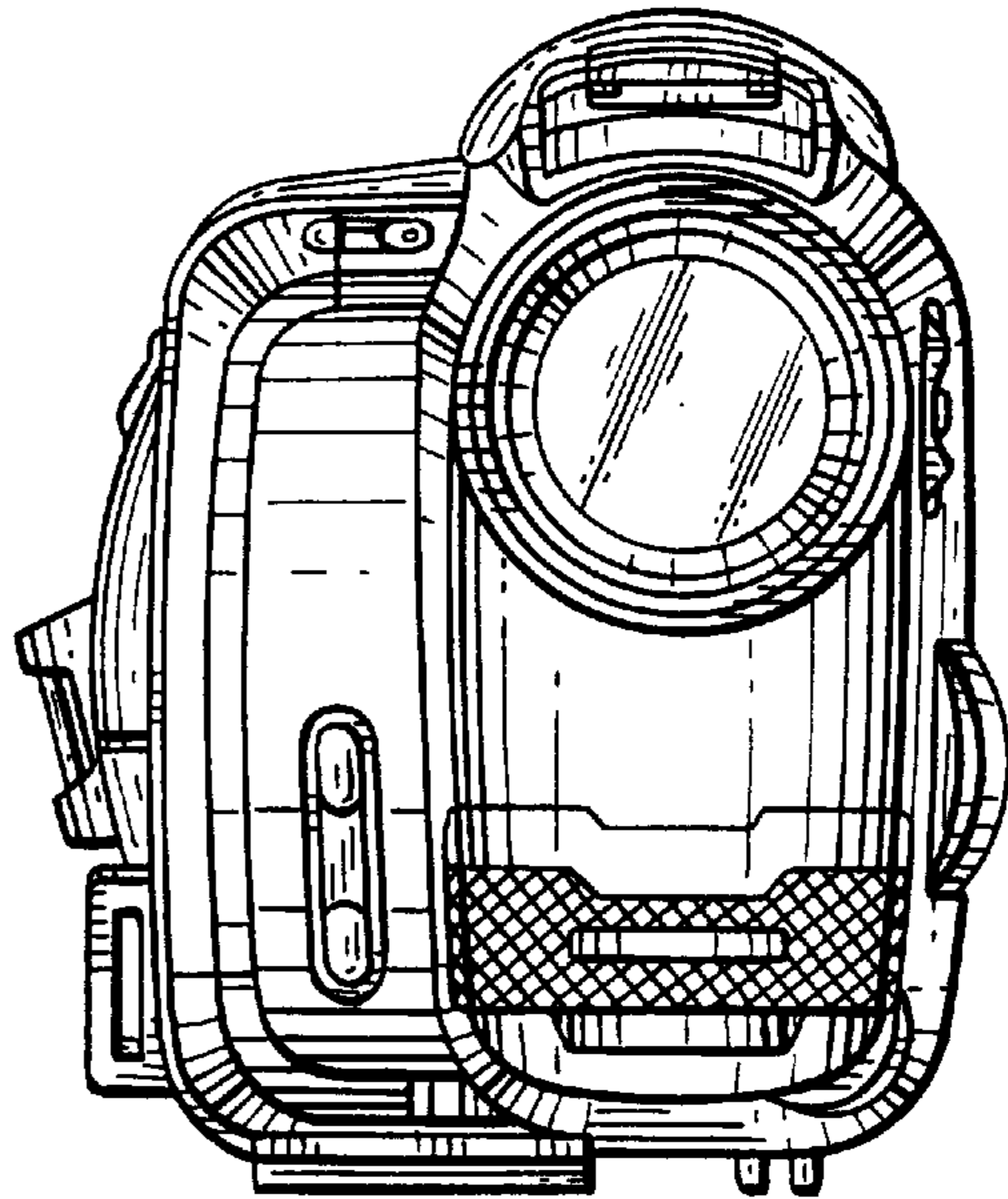
*FIG. 1*



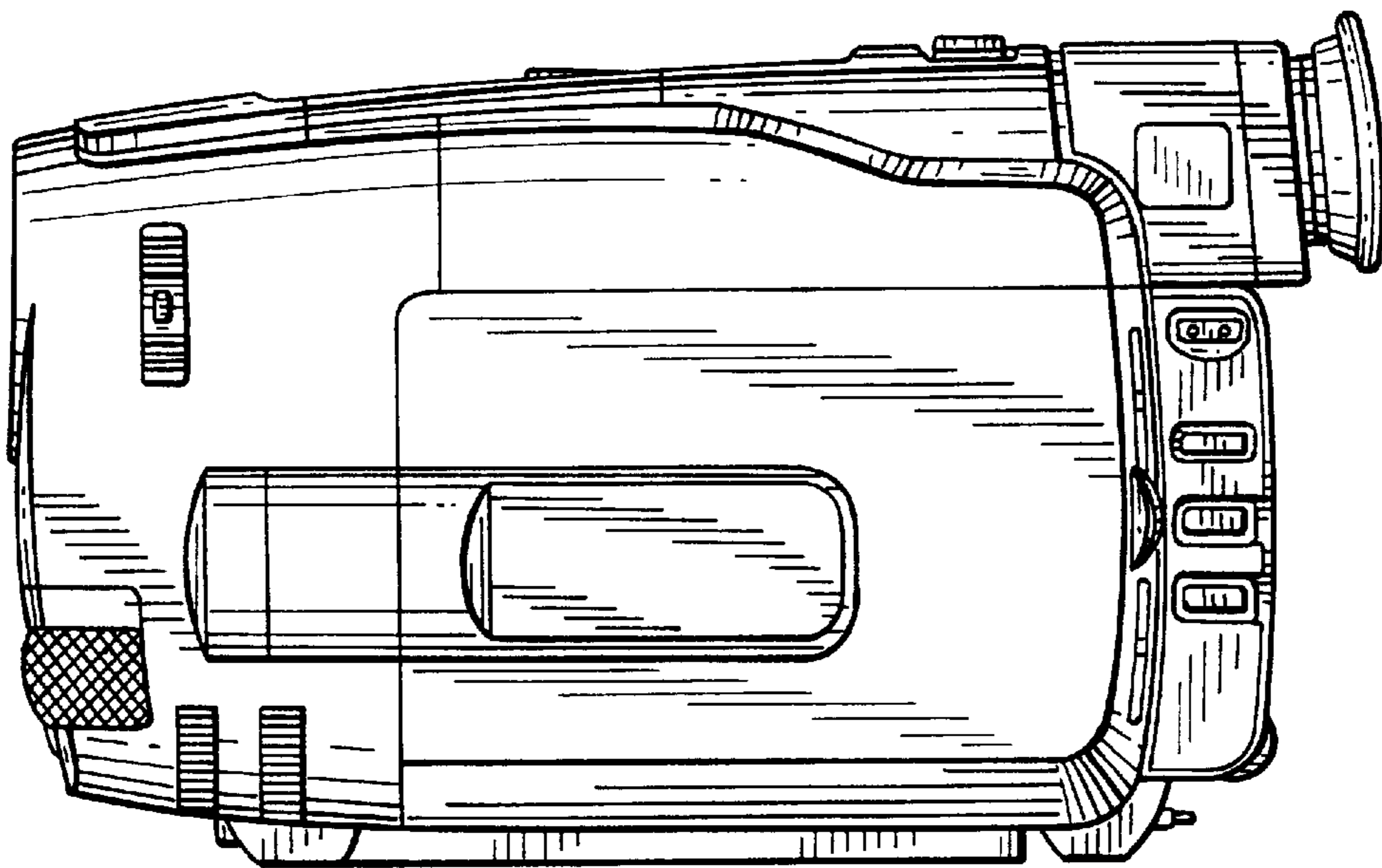
*FIG. 2*



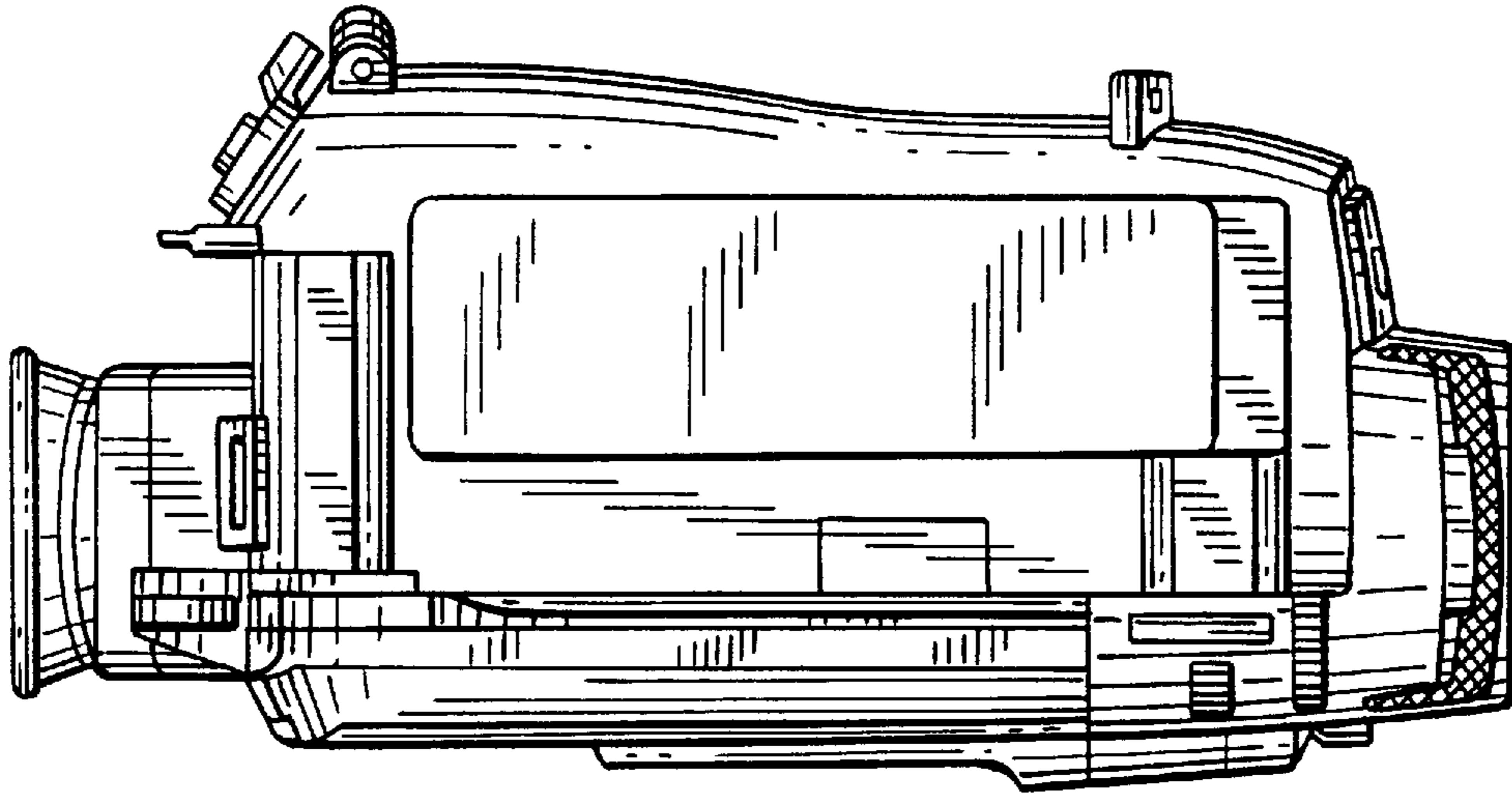
*FIG. 3*



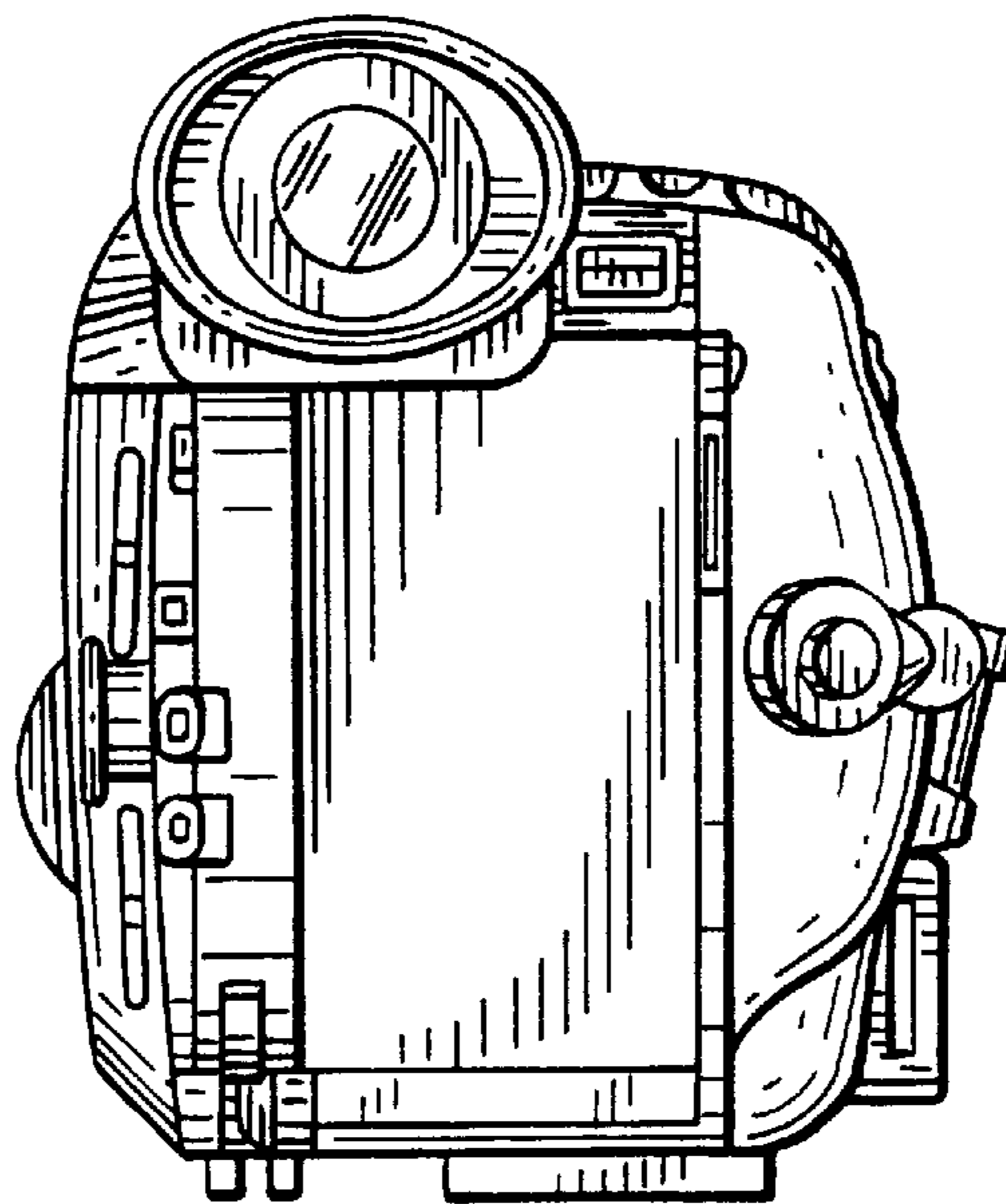
*FIG. 4*







*FIG. 5*



*FIG. 6*

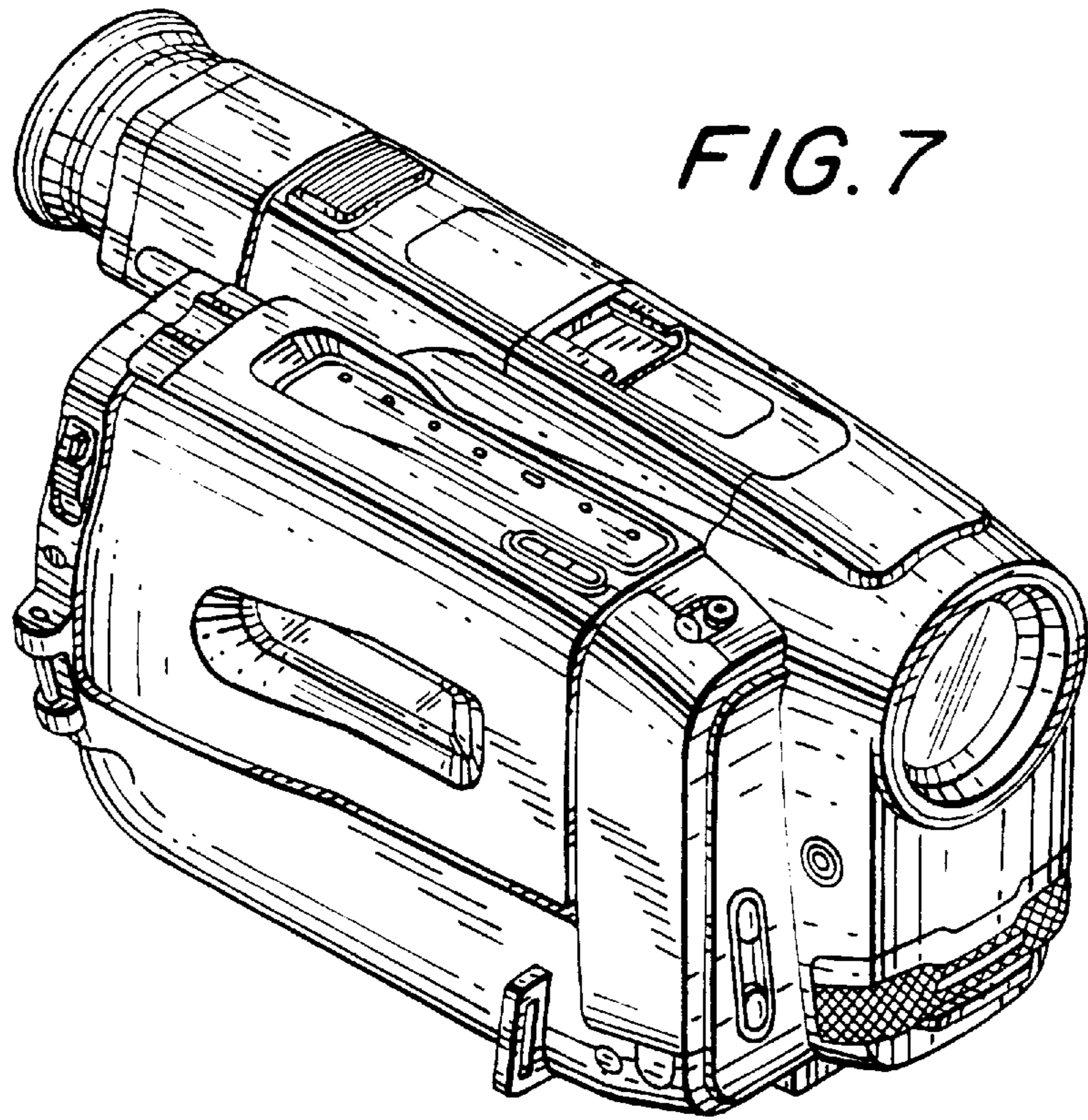
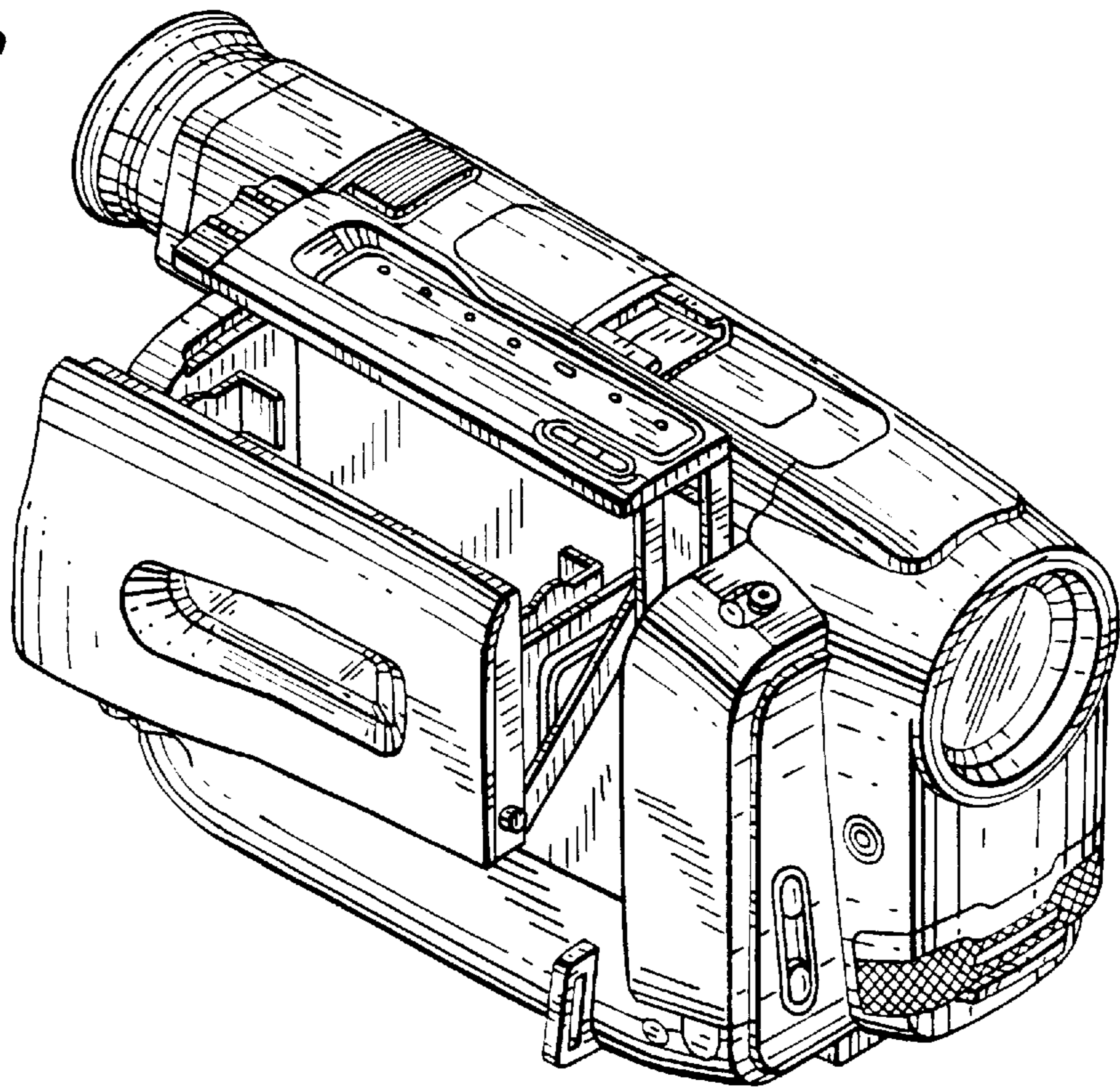
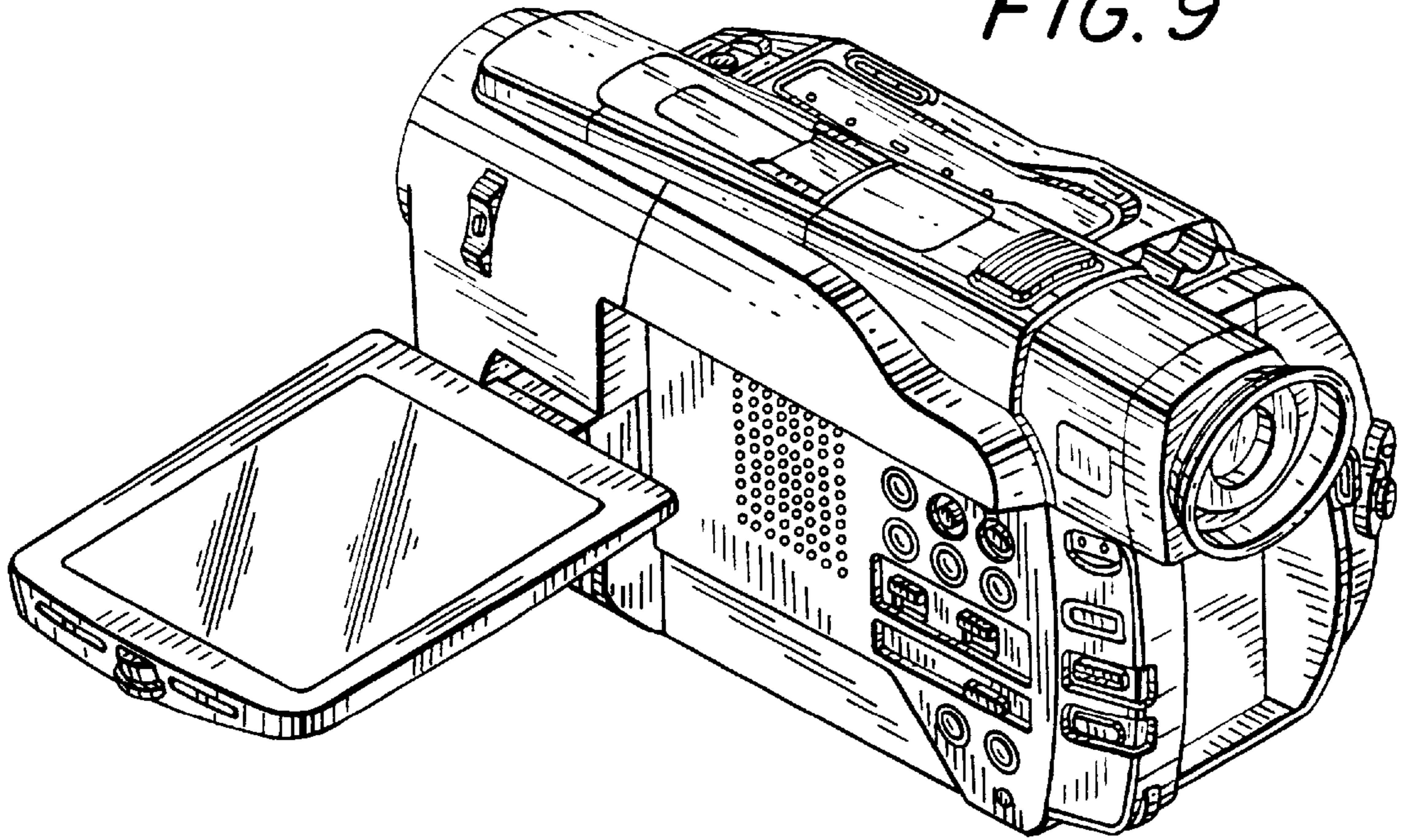


FIG. 8

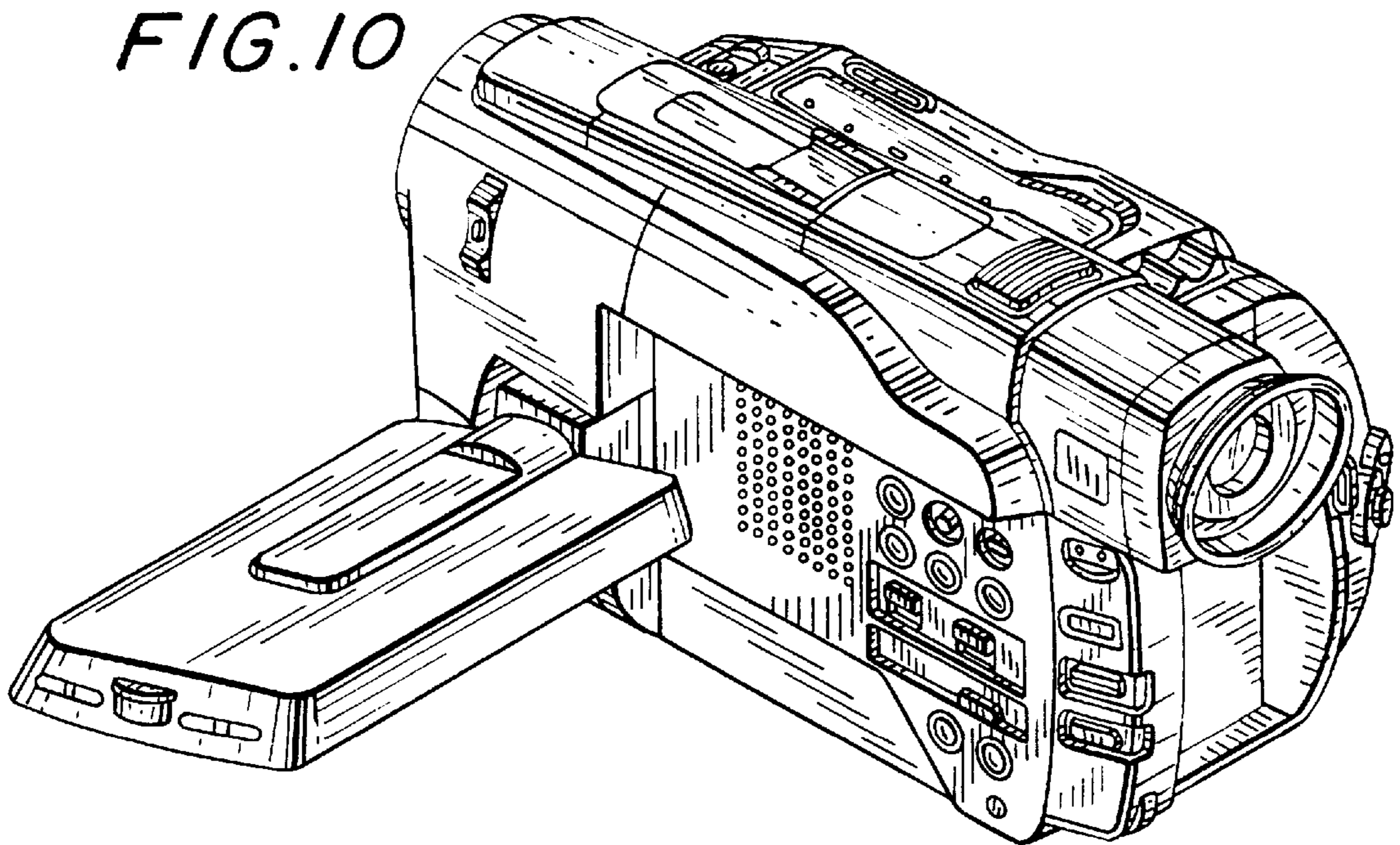




*FIG. 9*

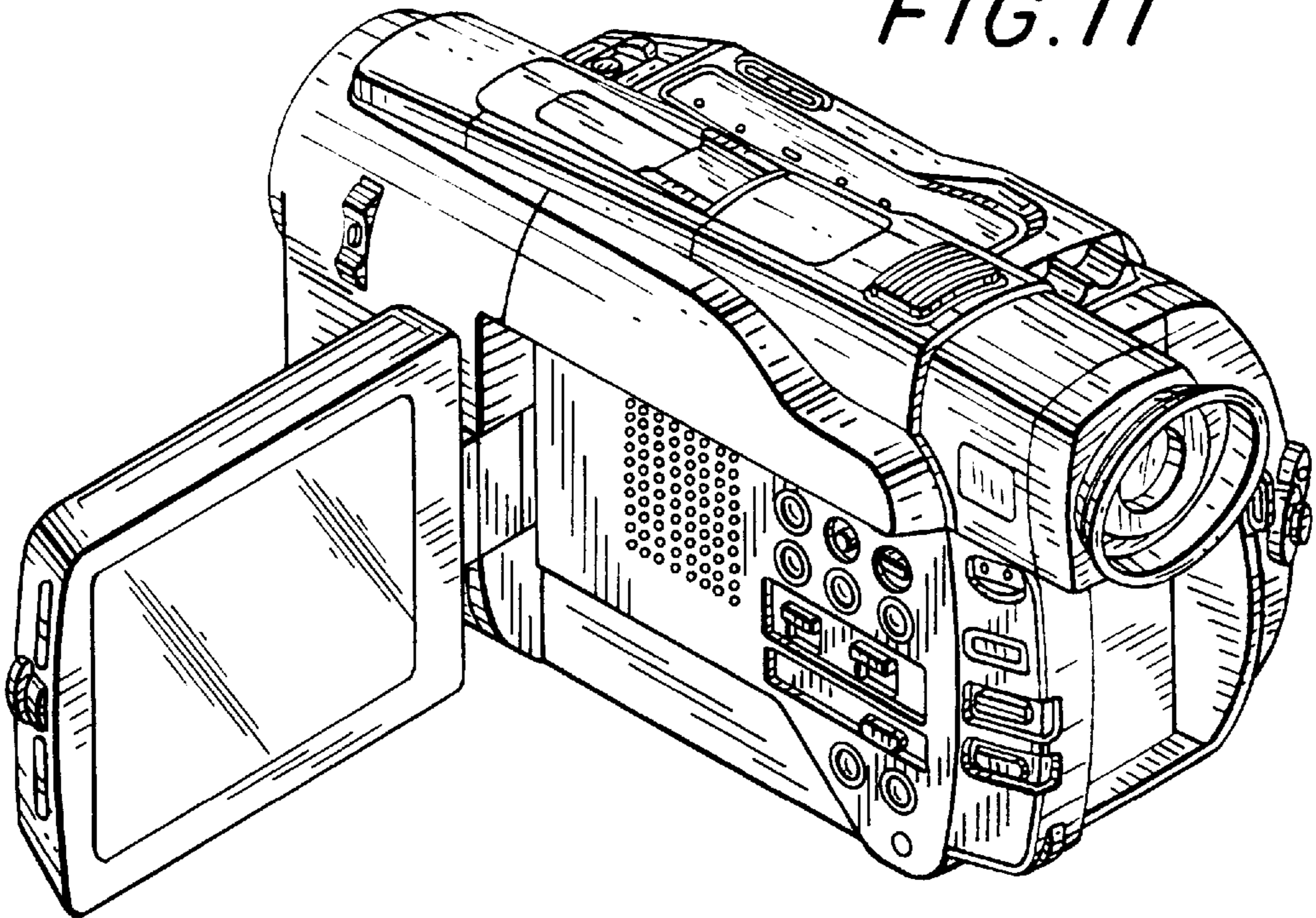


*FIG. 10*





*FIG. 11*



*FIG. 12*

