

US00D404046S

United States Patent [19]

Mandellos

[11] Patent Number: Des. 404,046

[45] Date of Patent: **Jan. 12, 1999

[54] ELLIPTICAL RIB FOR NON-SHUTTERED IRRADIATOR SYSTEM

[75] Inventor: Panagiotis Mandellos, Glencoe, Ill.

[73] Assignee: Con-Trol Cure, Inc., Chicago, Ill.

[**] Term: 14 Years

[21] Appl. No.: 74,783

[22] Filed: Aug. 4, 1997

[51] LOC (6) Cl. 15-99

[52] U.S. Cl. D15/199

[58] Field of Search D10/46; D15/199; 250/455.11, 504 H, 504 R, 454.11, 492.1, 453.11, 497.1, 496.1, 492.2-492.3; 315/39; 34/4; 219/347

[56] **References Cited**

U.S. PATENT DOCUMENTS

3,831,289	8/1974	Knight	34/4
3,872,349	3/1975	Spero et al.	315/39
3,983,039	9/1976	Eastland	250/492
4,507,587	3/1985	Wood et al.	315/39
4,532,427	7/1985	Matthews et al.	250/492
4,665,627	5/1987	Wilde et al.	34/4

4,710,638	12/1987	Wood	250/492.1
5,049,725	9/1991	Abramson	219/347
5,426,308	6/1995	Sudduth et al.	250/504
5,440,137	8/1995	Sowers	250/504
5,788,940	8/1998	Cichas et al.	250/504 R

OTHER PUBLICATIONS

UV Process Supply, Inc. Catalog, Copyright 1994.

Primary Examiner—Antoine Duval Davis
Attorney, Agent, or Firm—Welsh & Katz, Ltd.; Thomas W. Tolpin

[57] **CLAIM**

The ornamental design for an elliptical rib for a non-shuttered irradiator system, as shown.

DESCRIPTION

FIG. 1 is a perspective view of an elliptical rib for a non-shuttered irradiator system showing my new design; FIG. 2 is a front view thereof, the back view being identical thereto; FIG. 3 is a right side view thereof, the left side view being identical thereto; FIG. 4 is a top view thereof; and, FIG. 5 is a bottom view thereof.

1 Claim, 1 Drawing Sheet

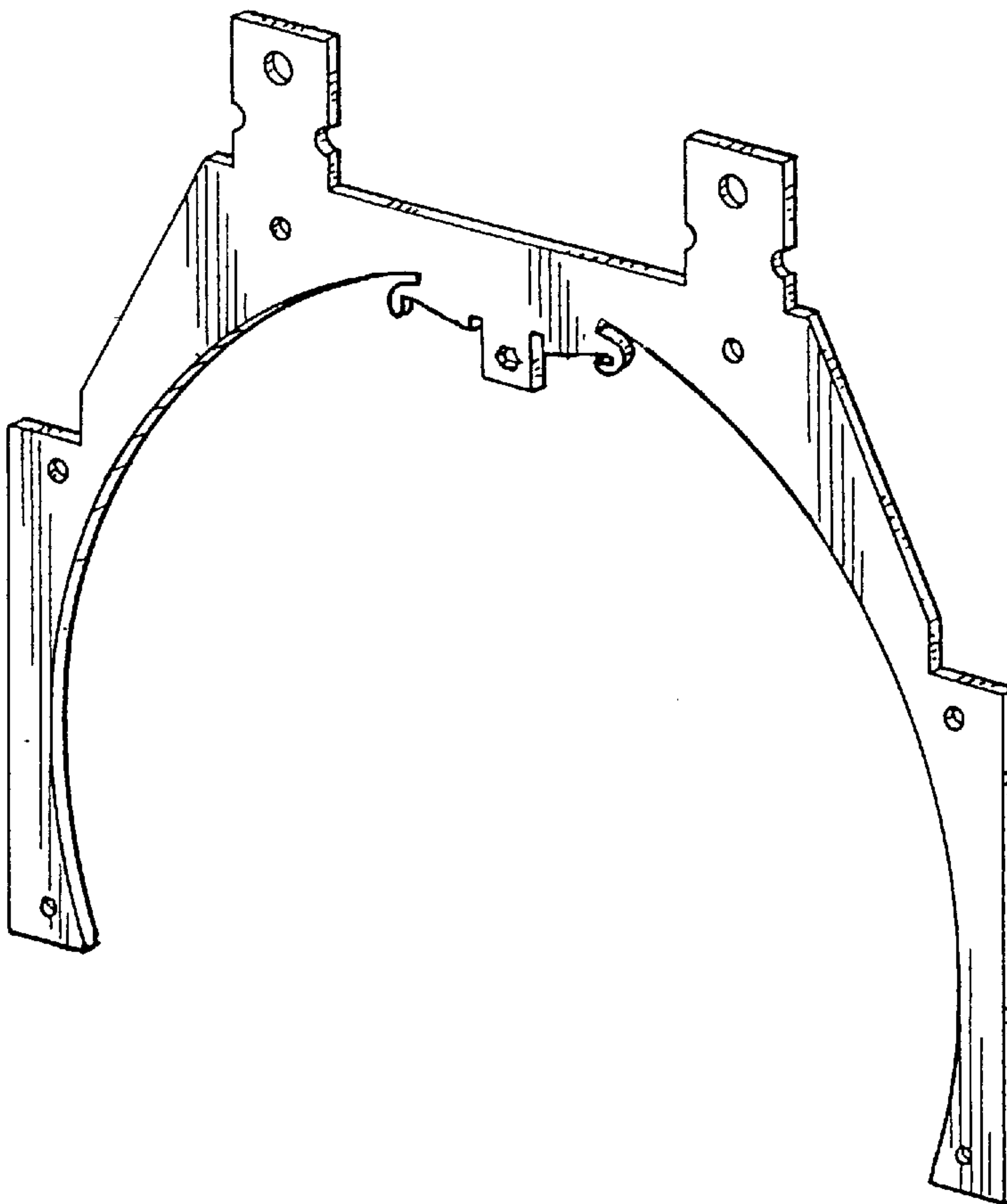


FIG.1

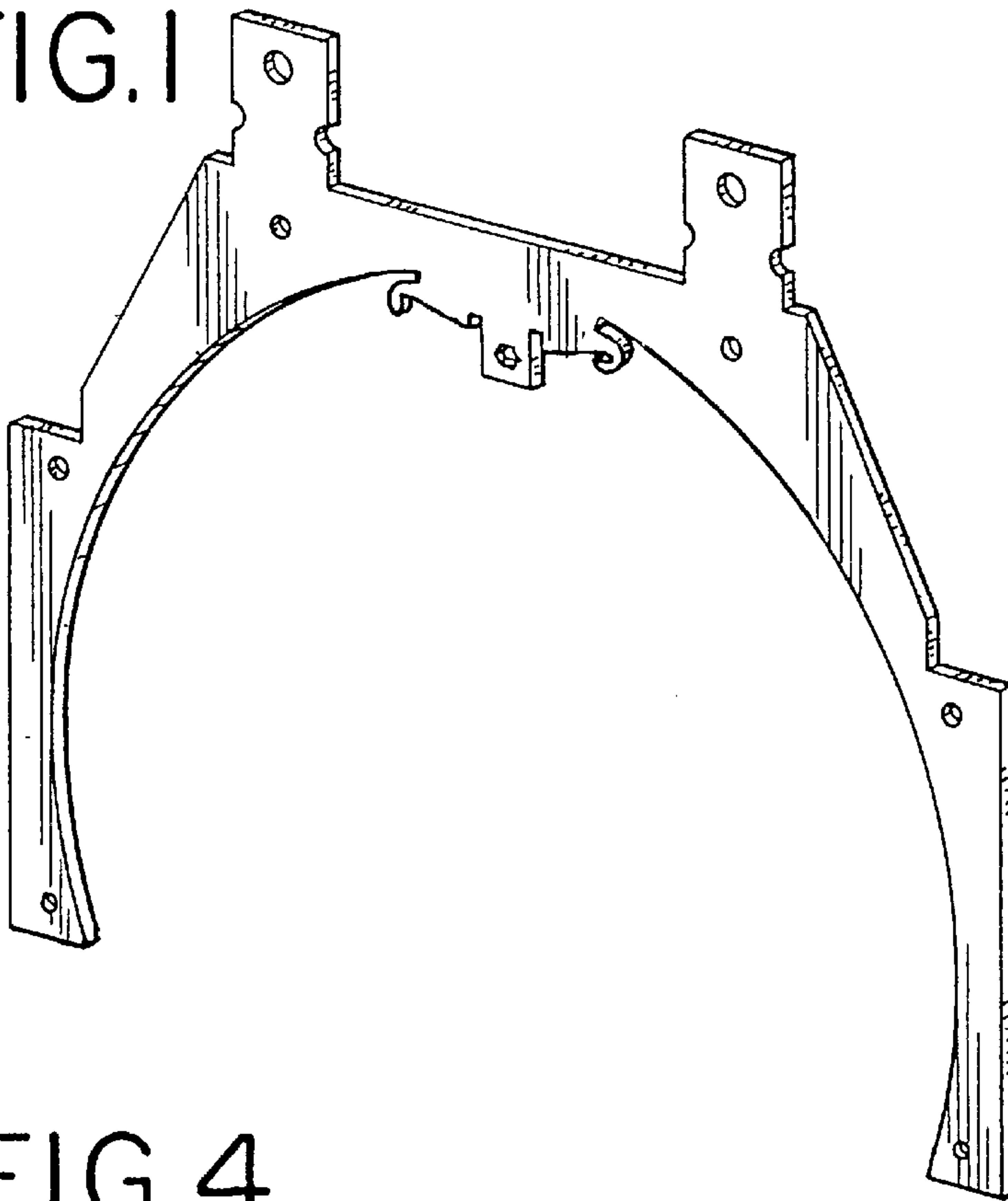


FIG.3



FIG.4

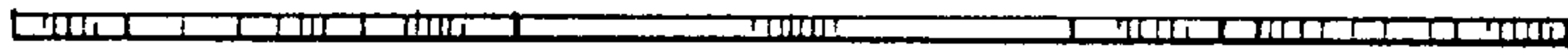


FIG.2

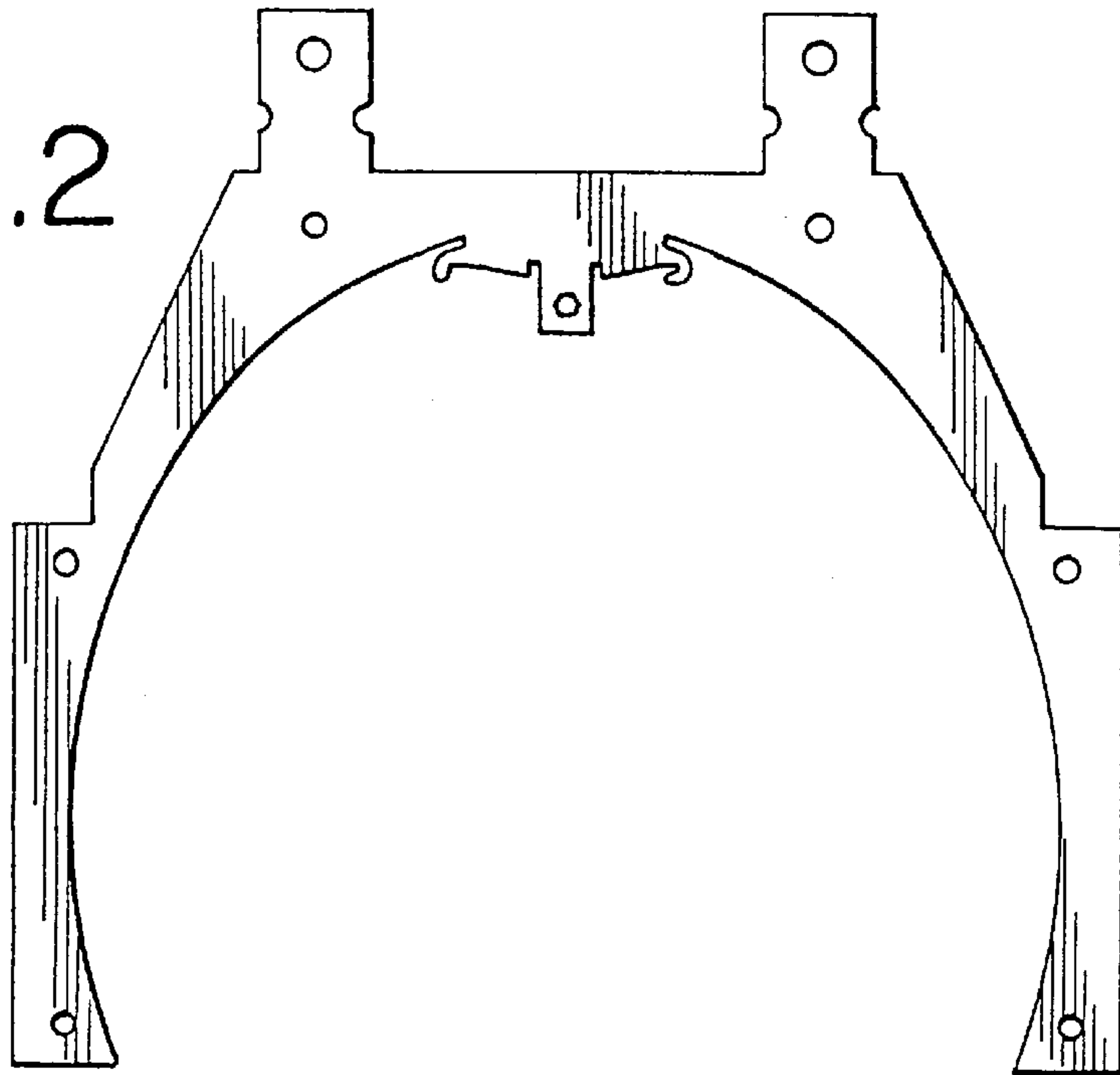


FIG.5

