



US00D404045S

United States Patent [19] Mandellos

[11] **Patent Number: Des. 404,045**

[45] **Date of Patent: **Jan. 12, 1999**

[54] **PARABOLIC RIB FOR NON-SHUTTERED IRRADIATOR SYSTEM**

[75] Inventor: **Panagiotis Mandellos**, Glencoe, Ill.

[73] Assignee: **Con-Trol-Cure, Inc.**, Chicago, Ill.

[**] Term: **14 Years**

[21] Appl. No.: **74,782**

[22] Filed: **Aug. 4, 1997**

[51] **LOC (6) Cl.** **15-99**

[52] **U.S. Cl.** **D15/199**

[58] **Field of Search** D10/46; D15/199;
250/455.11, 504 H, 504 R, 454.11, 492.1,
453.11, 497.1, 496.1, 492.2-492.3; 315/39;
34/4; 219/347

[56] **References Cited**

U.S. PATENT DOCUMENTS

3,831,289	8/1974	Knight	34/4
3,872,349	3/1975	Spero et al.	315/39
3,983,039	9/1976	Eastland	250/492
4,507,587	3/1985	Wood et al.	315/39
4,532,427	7/1985	Matthews et al.	250/492
4,665,627	5/1987	Wilde et al.	34/4

4,710,638	12/1987	Wood	250/492.1
5,049,725	9/1991	Abramson	219/347
5,426,308	6/1995	Sudduth et al.	250/504
5,440,137	8/1995	Sowers	250/504
5,788,940	8/1998	Cichas et al.	250/504 R

OTHER PUBLICATIONS

UV Process Supply, Inc. Catalog, Copyright 1994.

Primary Examiner—Antoine Duval Davis
Attorney, Agent, or Firm—Welsh & Katz, Ltd.; Thomas W. Tolpin

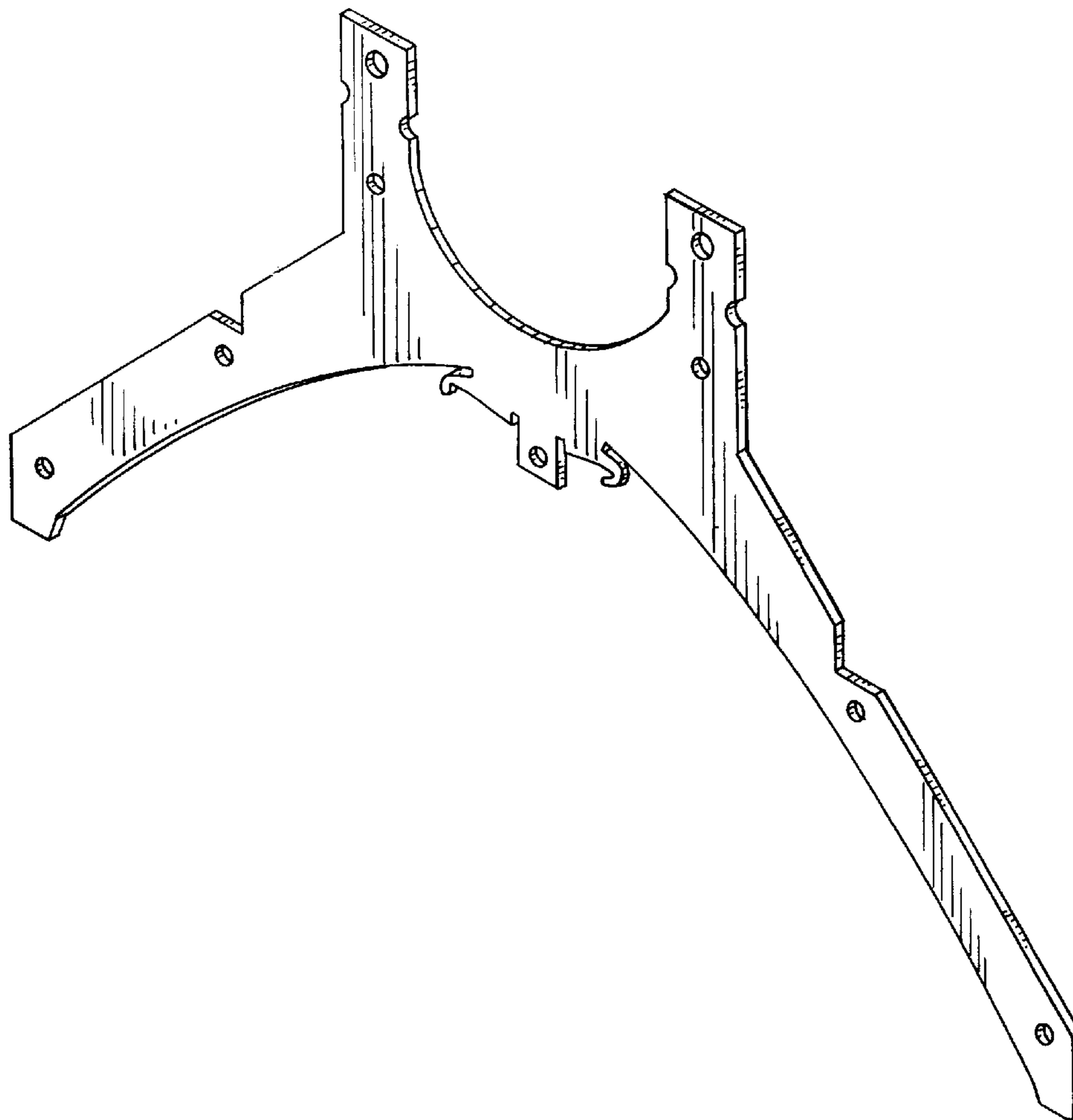
[57] **CLAIM**

The ornamental design for a parabolic rib for a non-shuttered irradiator system, as shown.

DESCRIPTION

FIG. 1 is a perspective view of a parabolic rib for a non-shuttered irradiator system showing my new design; FIG. 2 is a front view thereof, the back view being identical thereto; FIG. 3 is a top view thereof; FIG. 4 is a right side view thereof, the left side view being identical thereto; and, FIG. 5 is a bottom view thereof.

1 Claim, 1 Drawing Sheet



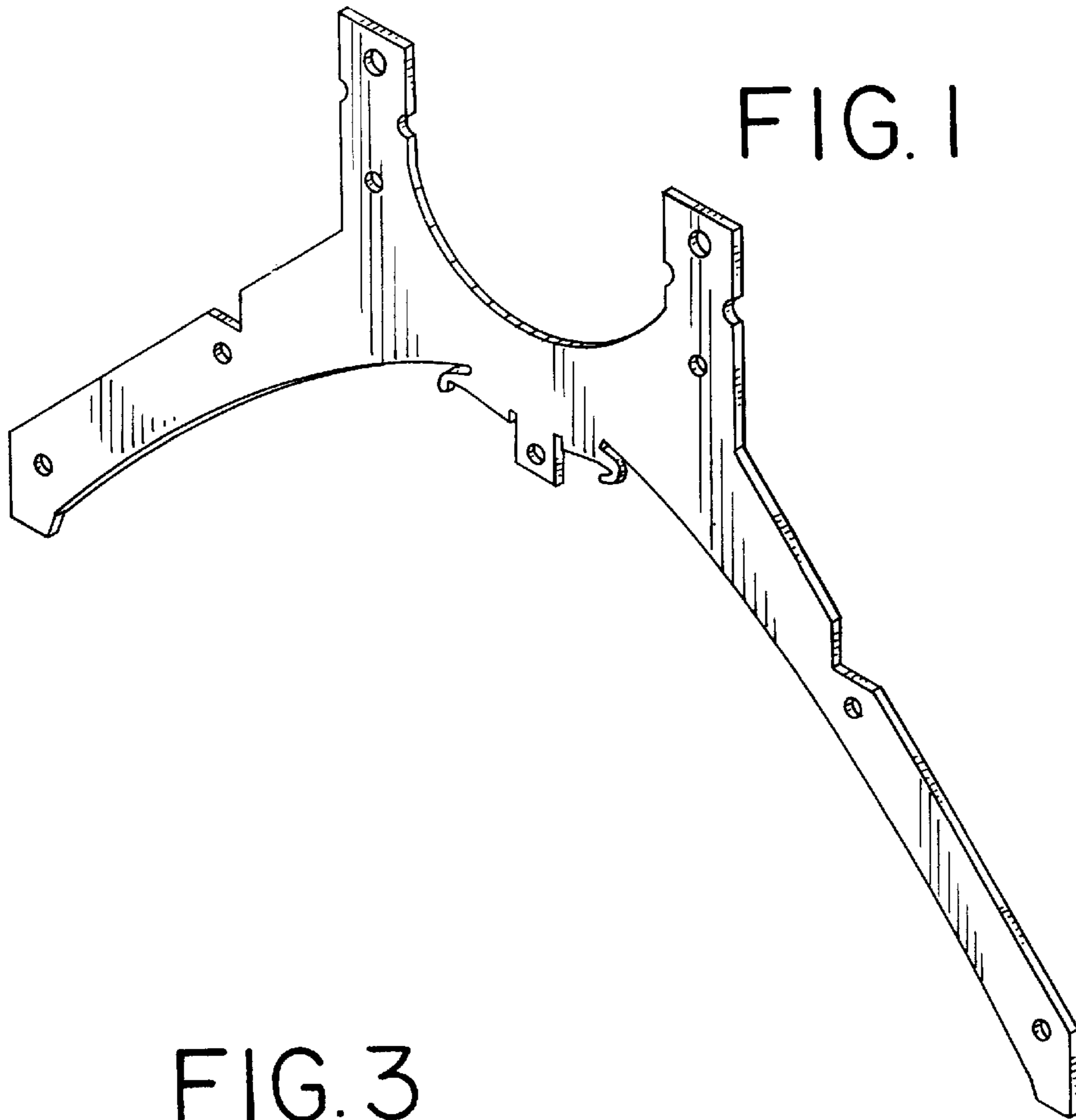


FIG. 3

