



US00D404043S

United States Patent [19]
Brunson

[11] **Patent Number: Des. 404,043**

[45] **Date of Patent: **Jan. 12, 1999**

[54] **STABILIZER FOR A SLIDING COMPOUND MITER SAW**

FOREIGN PATENT DOCUMENTS

63-147801 6/1991 Japan .

[75] Inventor: **Mark E. Brunson**, Abingdon, Md.

Primary Examiner—Antoine Duval Davis
Attorney, Agent, or Firm—Harness, Dickey & Pierce, P.L.C.

[73] Assignee: **Black & Decker Inc.**, Newark, Del.

[**] Term: **14 Years**

[57] **CLAIM**

[21] Appl. No.: **72,691**

The ornamental design for a stabilizer for a sliding compound miter saw, as shown and described.

[22] Filed: **Jun. 19, 1997**

DESCRIPTION

[51] **LOC (6) Cl.** **15-09**

FIG. 1 is a perspective view of the design for a stabilizer for a sliding compound miter saw according to the present invention;

[52] **U.S. Cl.** **D15/133**

FIG. 2 is a perspective view thereof;

[58] **Field of Search** D15/133; 83/471.1, 83/471.2, 471.3, 471.4, 477, 581, 776-783

FIG. 3 is a top plan view thereof;

FIG. 4 is a right side elevational view thereof;

FIG. 5 is a front elevational view thereof; and,

FIG. 6 is a rear elevational view thereof.

[56] **References Cited**

U.S. PATENT DOCUMENTS

D. 345,743	4/1994	Garcia	D15/133
D. 389,494	1/1998	Chen	D15/133
5,347,902	9/1994	Brickner et al.	.	
5,564,323	10/1996	Sasaki et al.	83/471.3

The broken line showing of the sliding compound miter saw is for illustrative purposes only and forms no part of the claimed design.

1 Claim, 2 Drawing Sheets

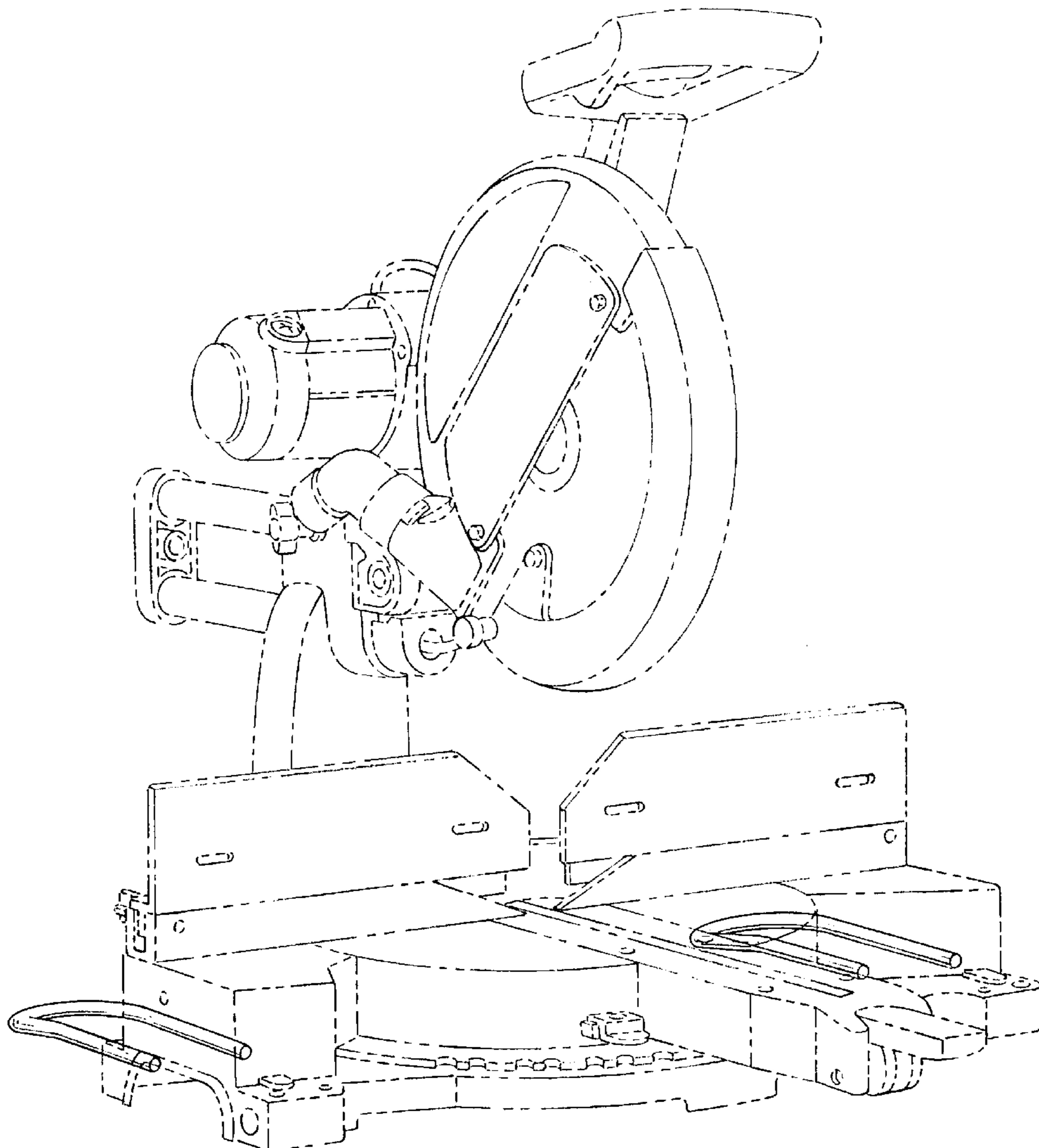
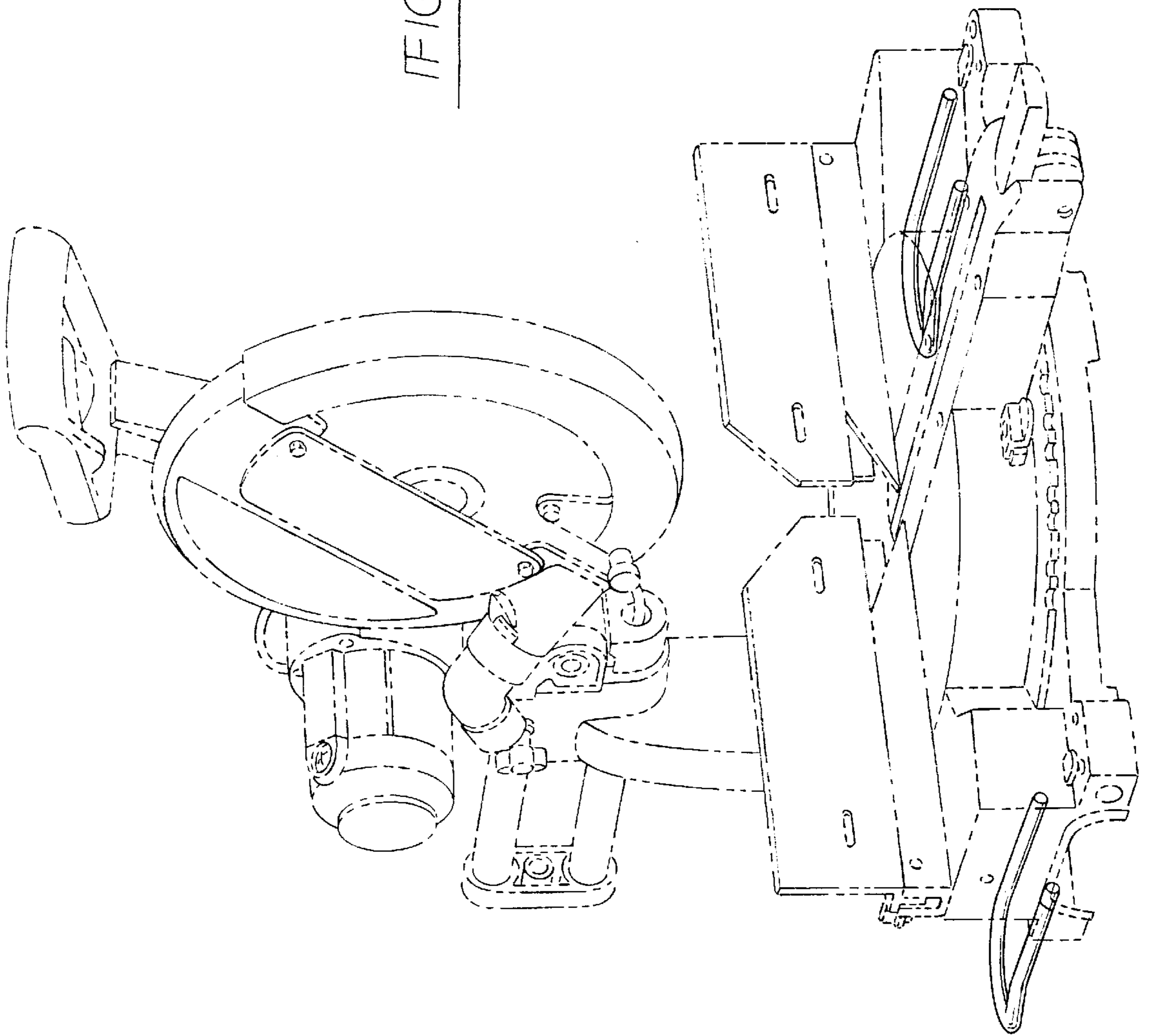


FIG-1



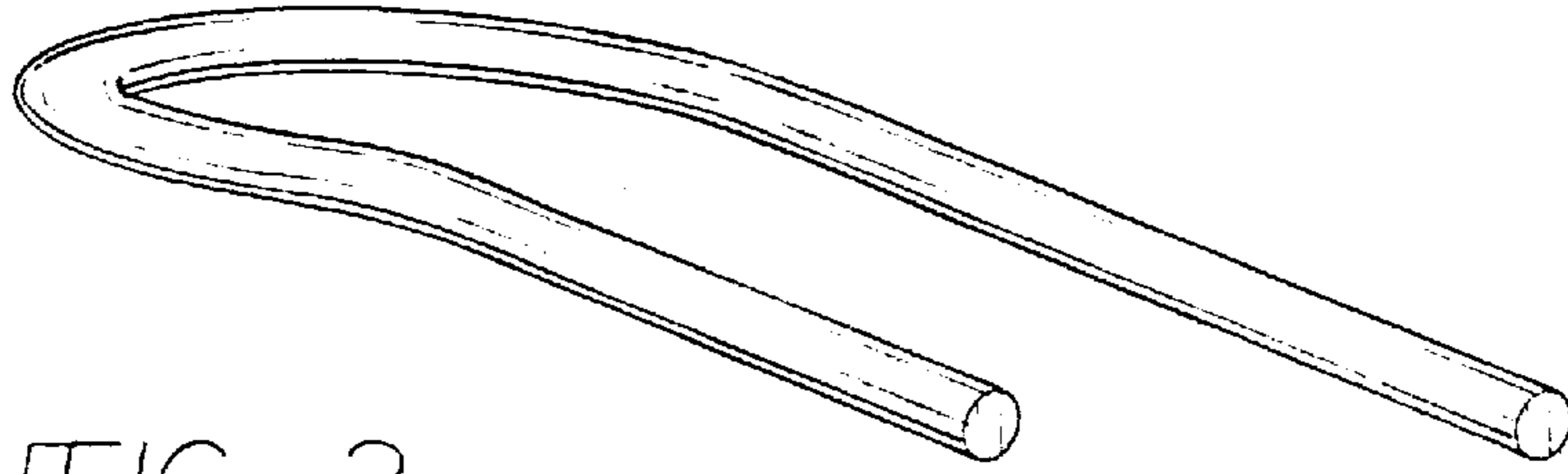


FIG - 2

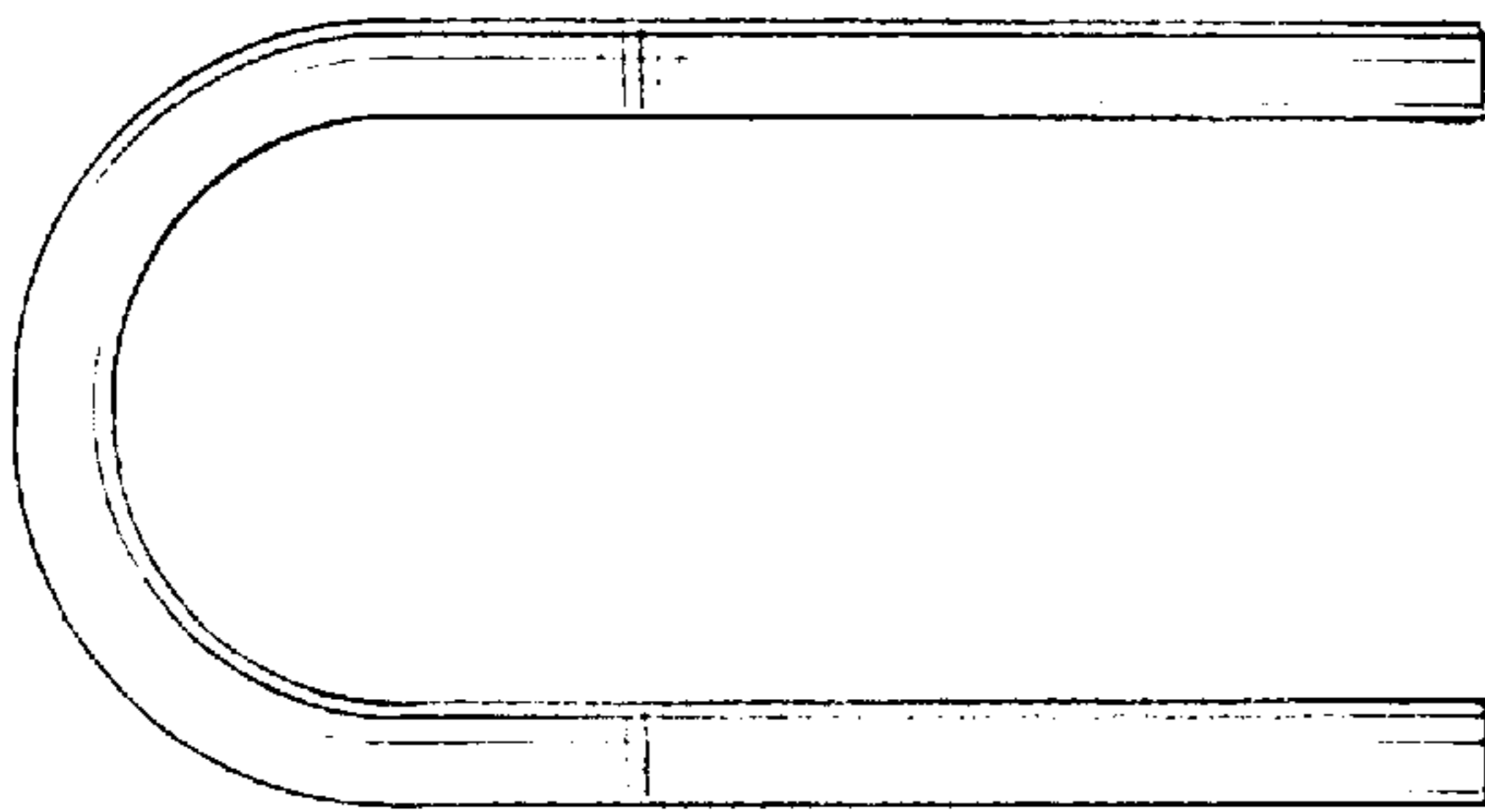


FIG - 3

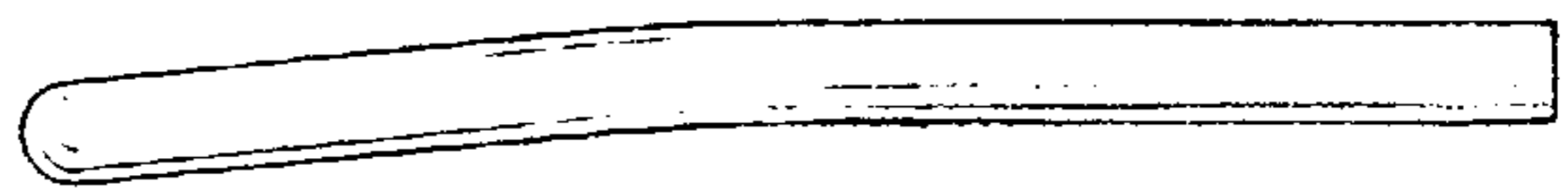


FIG - 4

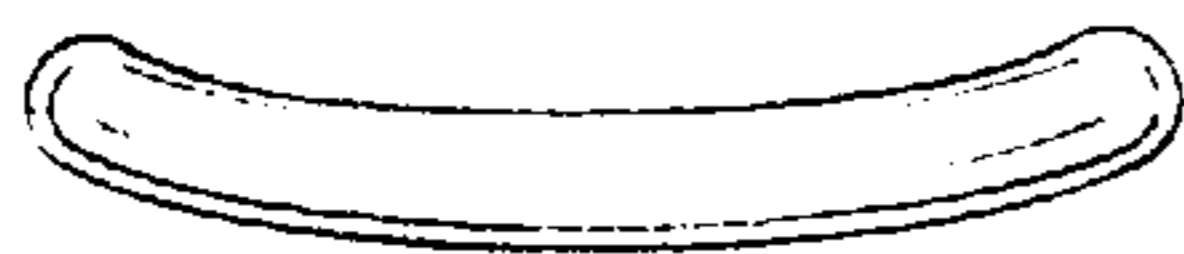


FIG - 5

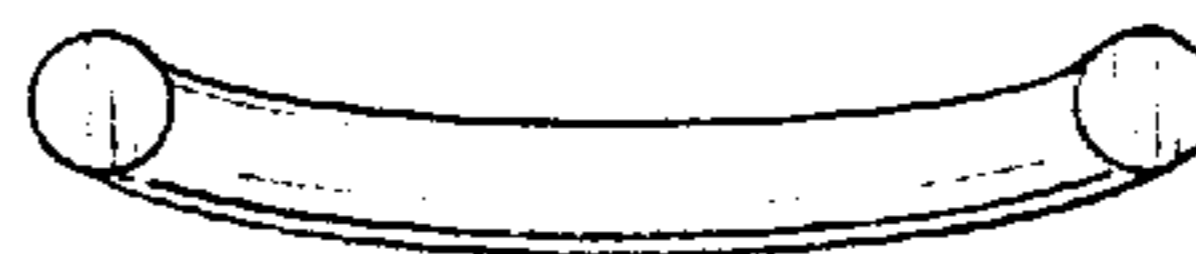


FIG - 6