



US00D404040S

United States Patent [19]
Suthmann

[11] **Patent Number: Des. 404,040**

[45] **Date of Patent: **Jan. 12, 1999**

[54] **PUMP FOR CONSTRUCTION SITES**

[75] Inventor: **Michael Suthmann**, Allershausen,
Germany

[73] Assignee: **EMU Unterwasser pumpen GmbH**,
Hof, Germany

[**] Term: **14 Years**

[21] Appl. No.: **82,389**

[22] Filed: **Nov. 28, 1997**

[30] **Foreign Application Priority Data**

May 30, 1997 [DE] Germany 97 05 087.3

[51] **LOC (6) Cl.** **15-02**

[52] **U.S. Cl.** **D15/7**

[58] **Field of Search** D15/7-9; 417/68,
417/403, 345, 552, 383, 231, 234

[56] **References Cited**

U.S. PATENT DOCUMENTS

D. 327,272 6/1992 Cadotte et al. D15/7

D. 384,676 10/1997 Cyphers et al. D15/7
D. 391,579 3/1998 Myers D15/7
D. 392,649 3/1998 Plummer et al. D15/7
5,234,322 8/1993 Daniels et al. 417/403

Primary Examiner—Ralf Seifert
Attorney, Agent, or Firm—Stroock & Stroock & Lavan LLP

[57] **CLAIM**

The ornamental design for a pump for construction sites, as shown.

DESCRIPTION

FIG. 1 is a perspective view of a new pump for construction sites in accordance with the present invention;

FIG. 2 is a front elevational view of the pump of FIG. 1;

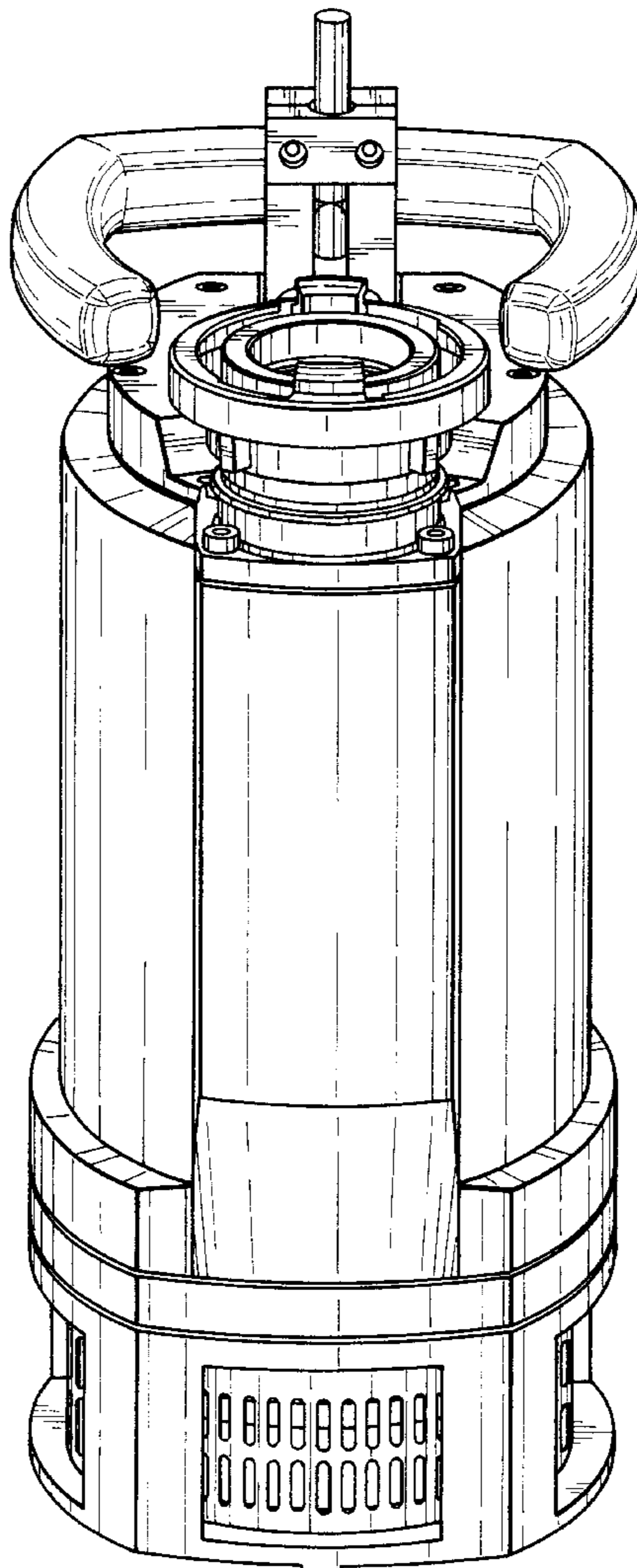
FIG. 3 is a rear elevational view of the pump of FIG. 1;

FIG. 4 is a left side elevational view of the pump of FIG. 1;

FIG. 5 is a top plan view of the pump of FIG. 1; and,

FIG. 6 is a bottom plan view of the pump of FIG. 1.

1 Claim, 5 Drawing Sheets



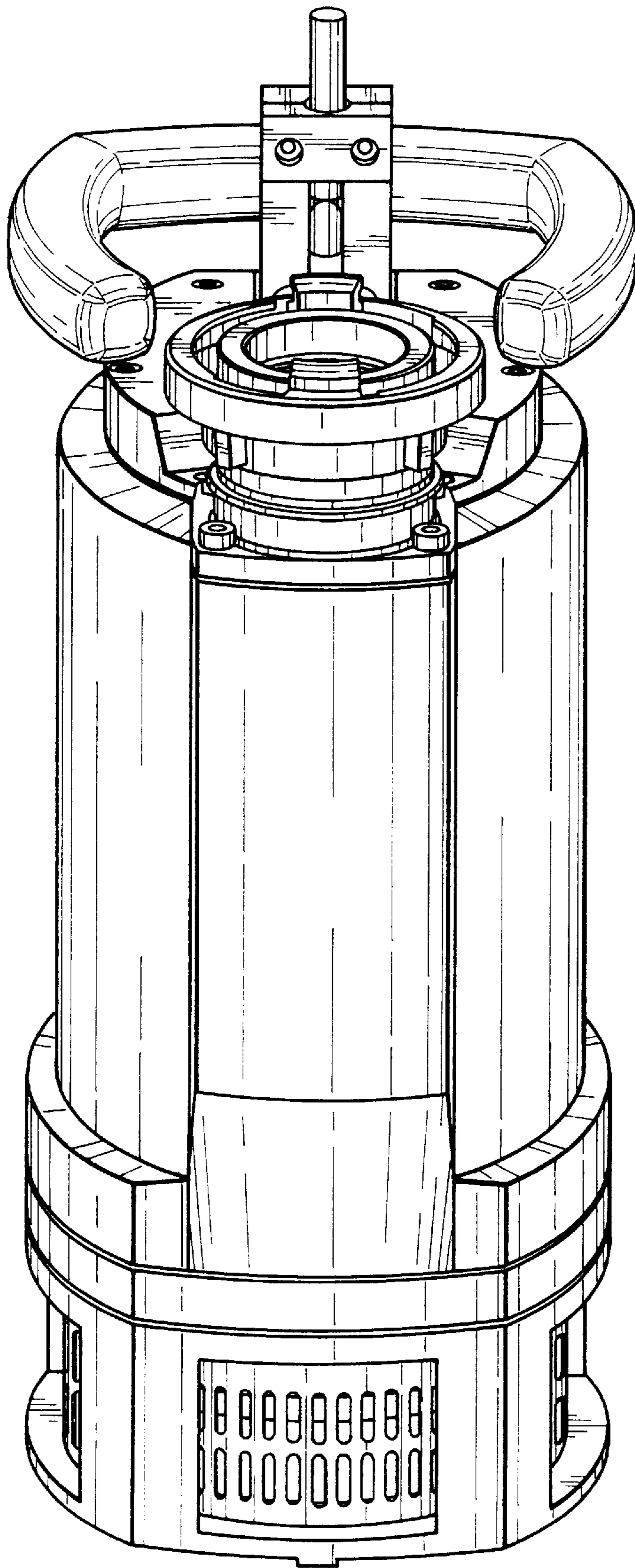


FIG. 1

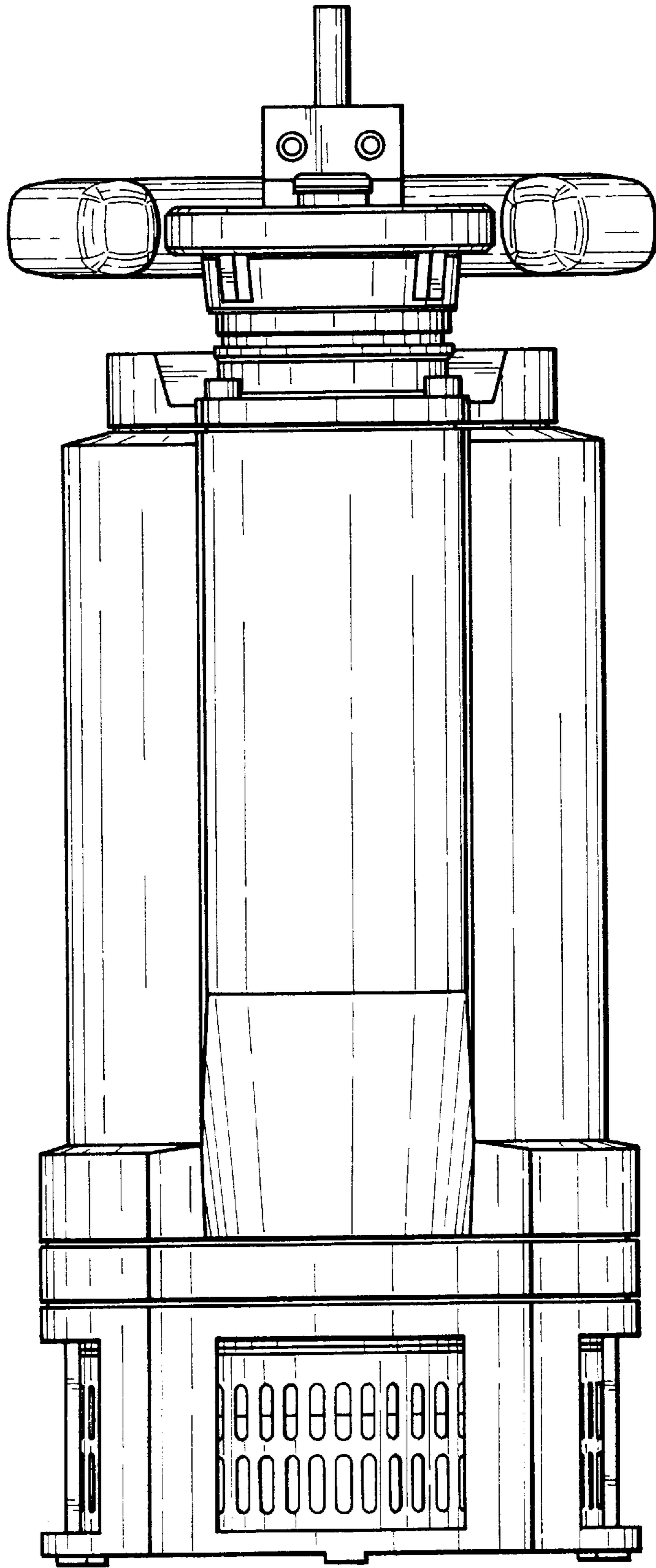


FIG. 2

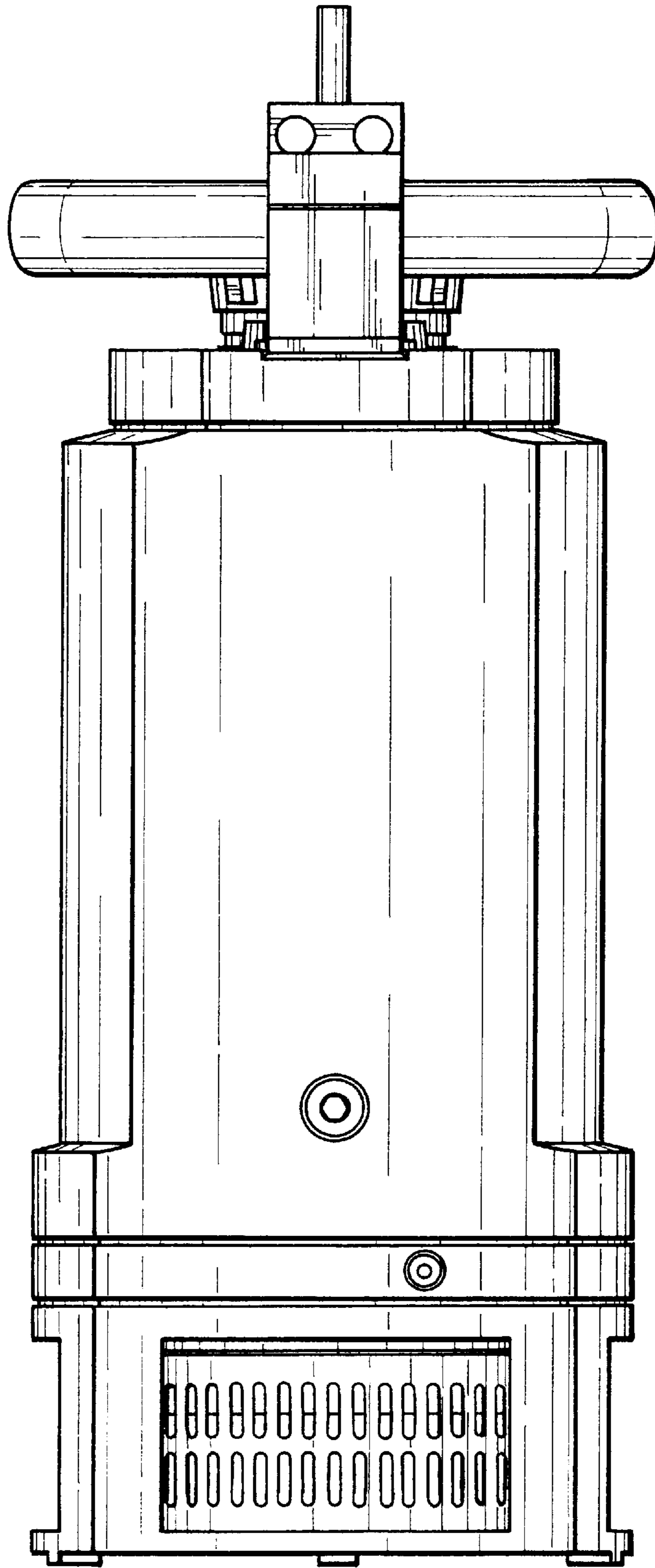


FIG. 3

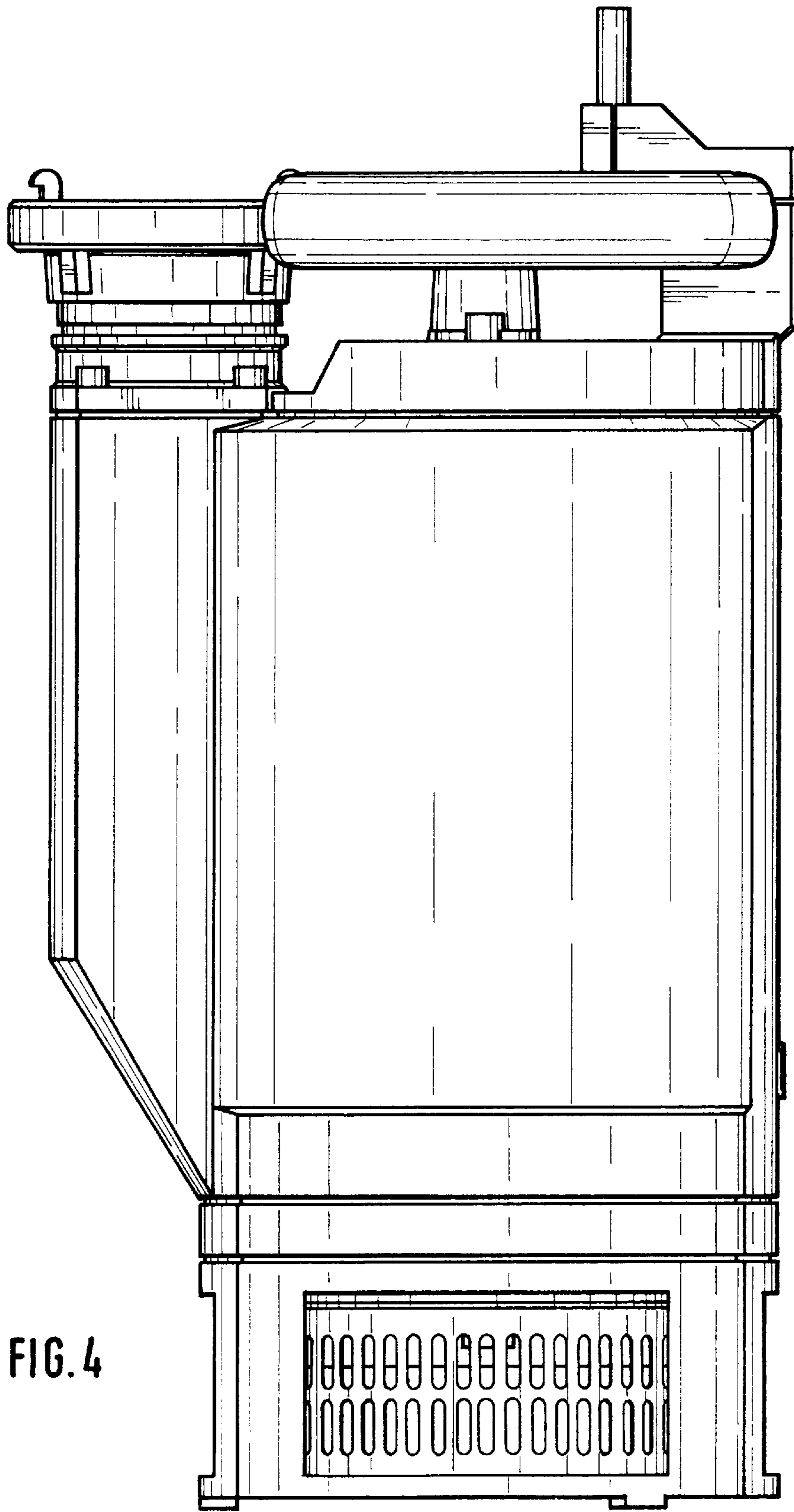


FIG. 4

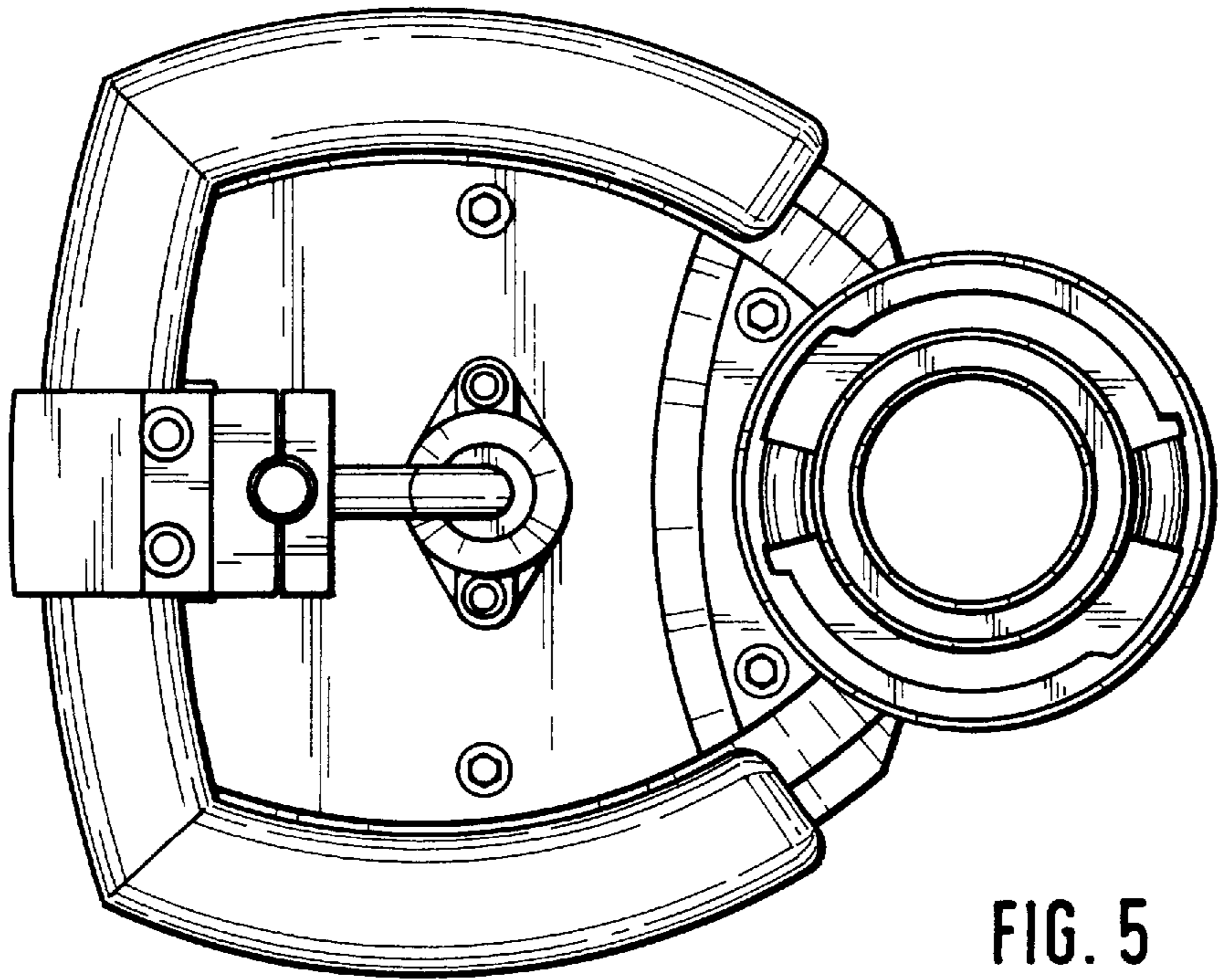


FIG. 5

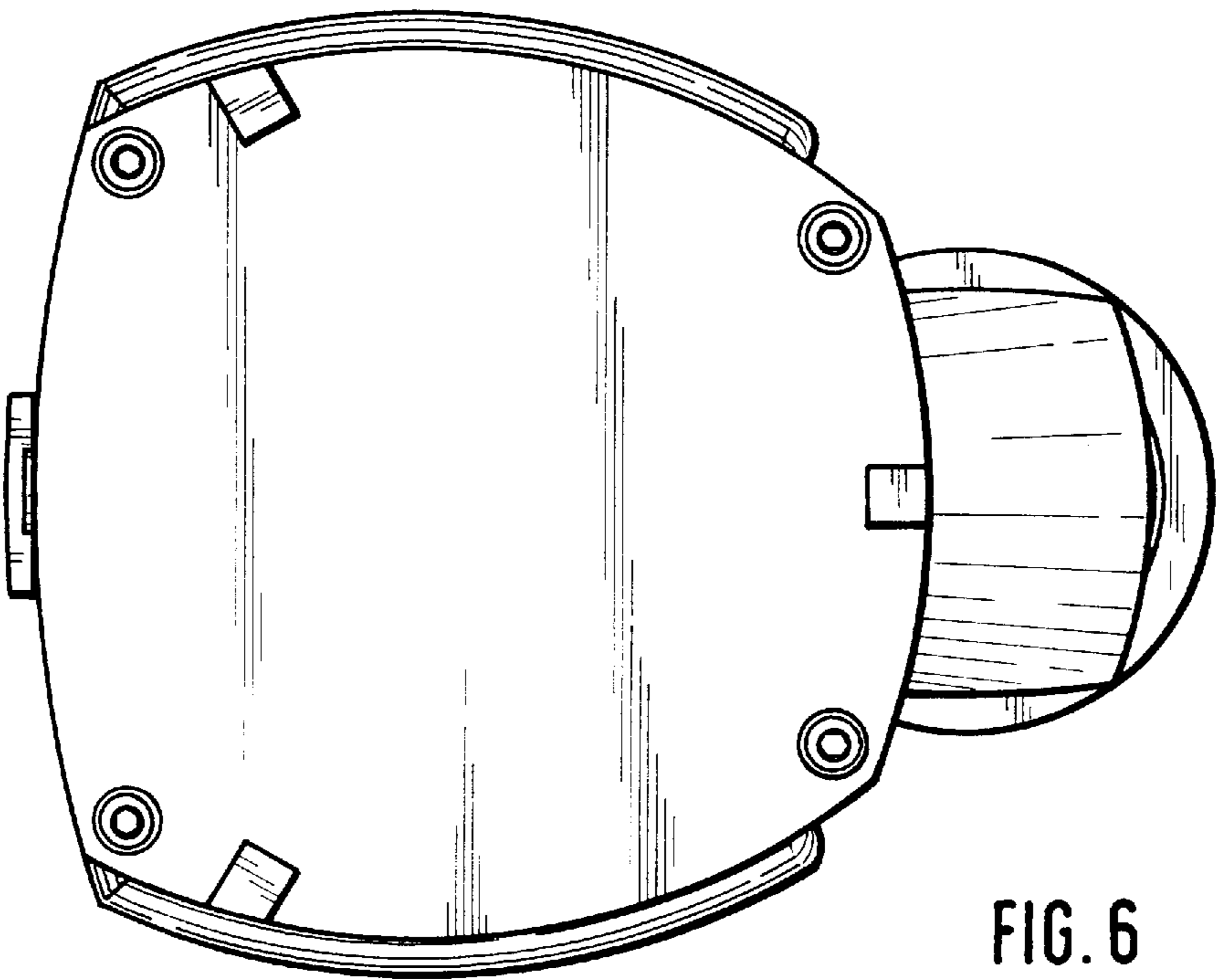


FIG. 6