



US00D404038S

United States Patent [19]

Fransson et al.

[11] **Patent Number: Des. 404,038**

[45] **Date of Patent: **Jan. 12, 1999**

[54] **PORTABLE PHONE HOLDER**

[75] Inventors: **Håkan Fransson**, Bankeryd; **Thomas Hall**, Skövde, both of Sweden

[73] Assignee: **Hallex HB**, Skövde, Sweden

[**] Term: **14 Years**

[21] Appl. No.: **68,070**

[22] Filed: **Feb. 18, 1997**

[30] **Foreign Application Priority Data**

Aug. 15, 1996 [SE] Sweden 96-1693

[51] **LOC (6) Cl.** **14-03**

[52] **U.S. Cl.** **D14/253**

[58] **Field of Search** D14/251, 253, D14/140, 240, 149, 114, 142; D13/107, 108; D6/553, 567, 574; 379/419, 420, 428, 440, 454, 455, 434-436; D8/373

[56] **References Cited**

U.S. PATENT DOCUMENTS

D. 241,144 8/1976 Davis D14/253

D. 291,176	8/1987	Sokol	D6/574 X
D. 309,307	7/1990	Sigurdson	D14/253
D. 320,991	10/1991	Nagai et al.	D14/138 X
D. 321,885	11/1991	Sheldrake	D6/553 X
D. 367,065	2/1996	Wu	D14/251 X
D. 388,795	1/1998	Ririchter	D14/253
D. 389,159	1/1998	Patterson et al.	D14/253

Primary Examiner—Jeffrey Asch
Attorney, Agent, or Firm—Cohen, Pontani, Lieberman, Pavane

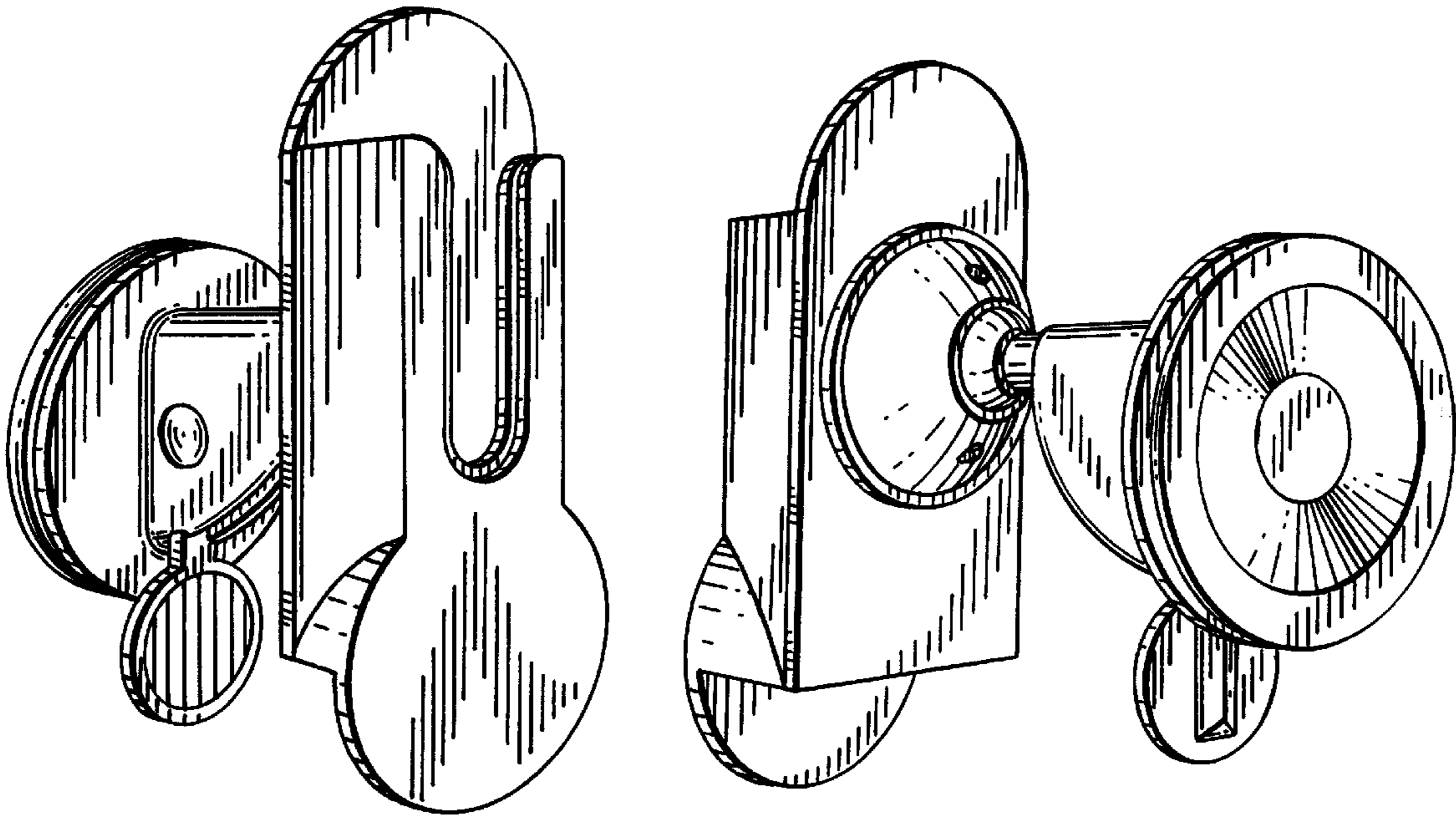
[57] **CLAIM**

The ornamental design for a portable phone holder, as shown and described.

DESCRIPTION

FIG. 1 is a top, front, left side perspective view of a portable phone holder showing our new design; FIG. 2 is a top, rear, right side perspective view thereof; FIG. 3 is a front elevational view thereof; FIG. 4 is a left side elevational view thereof; FIG. 5 is a top plan view thereof; and, FIG. 6 is a bottom plan view thereof.

1 Claim, 2 Drawing Sheets



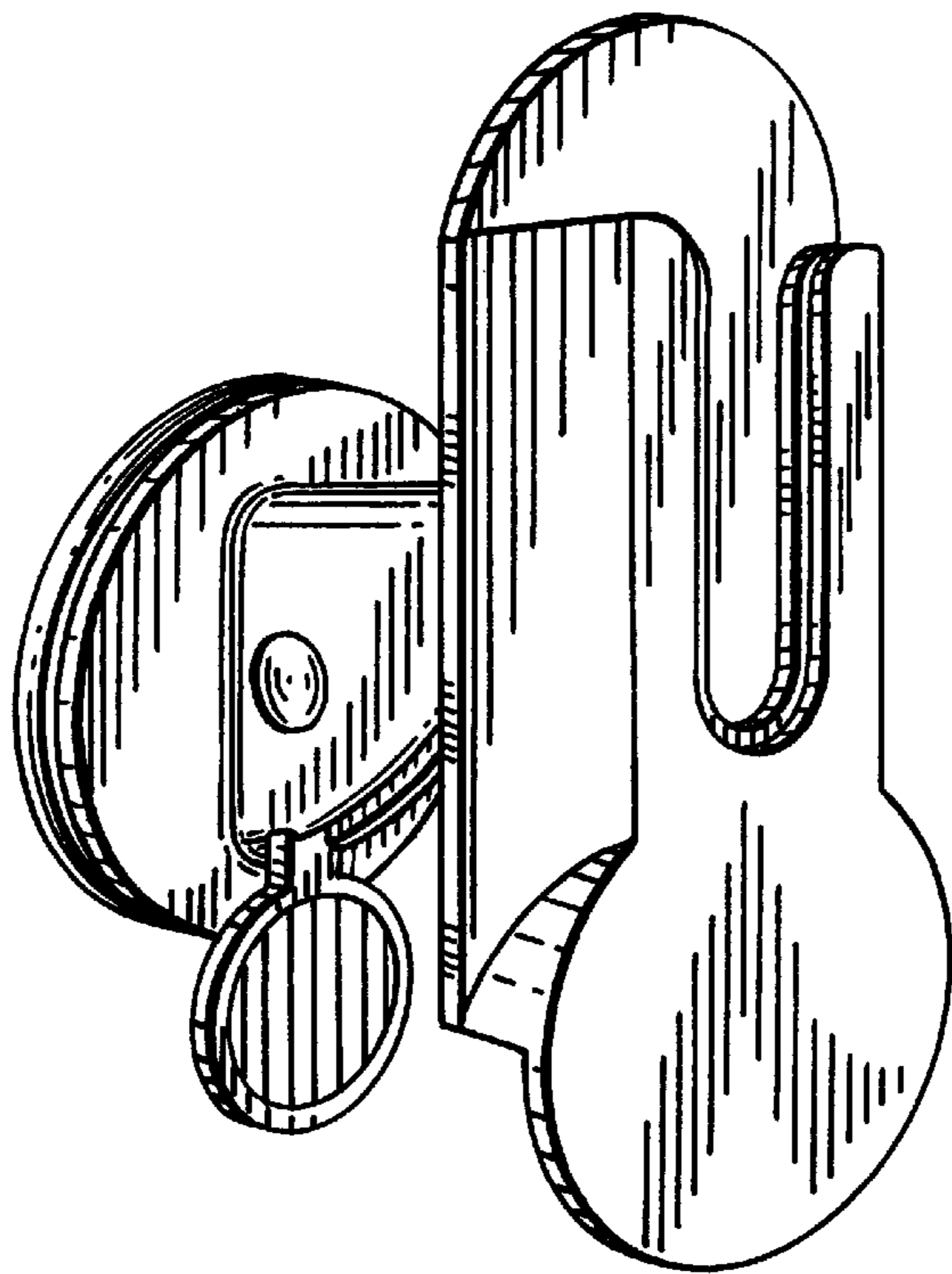


FIG. 1

FIG. 2

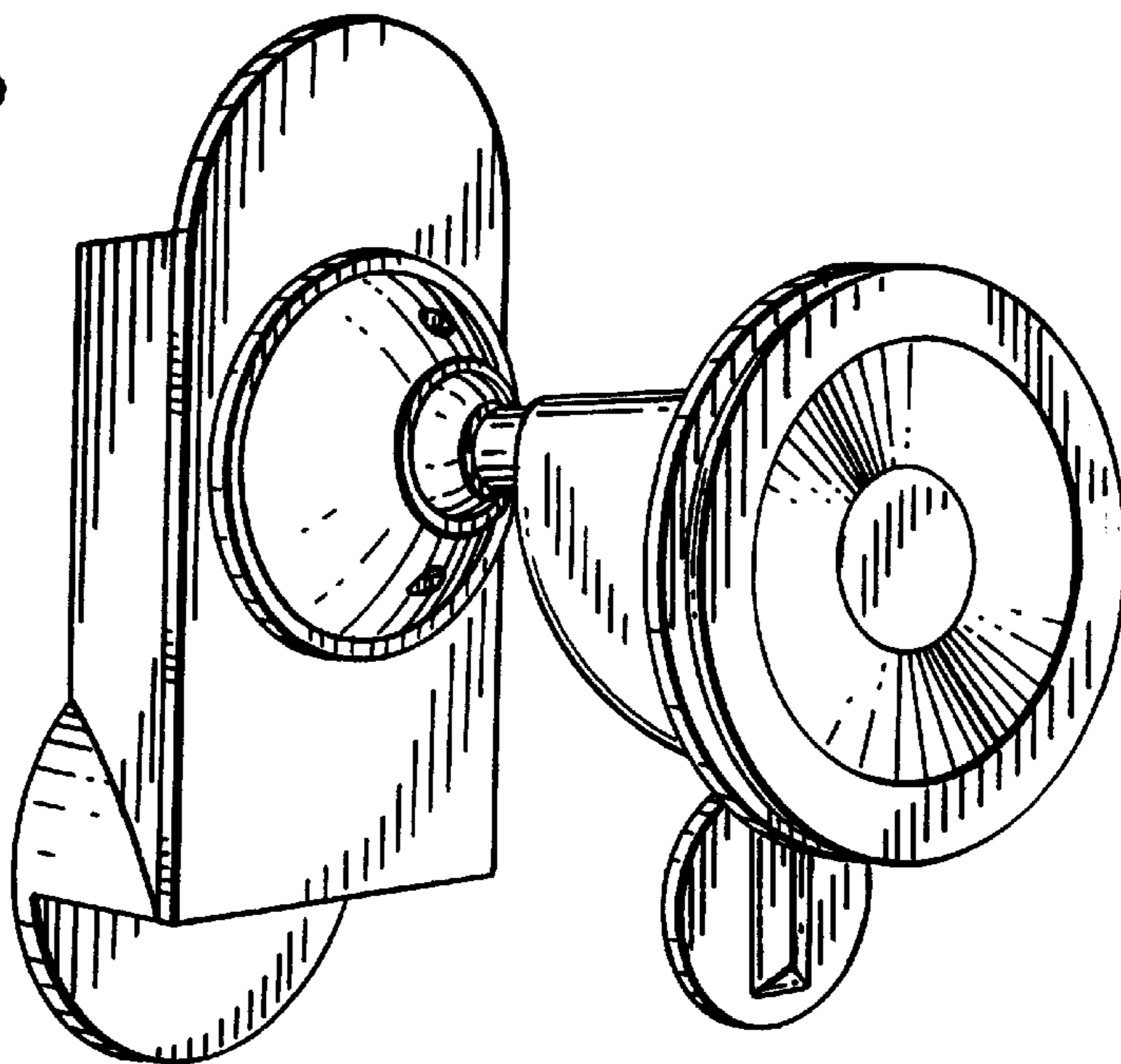


FIG. 3

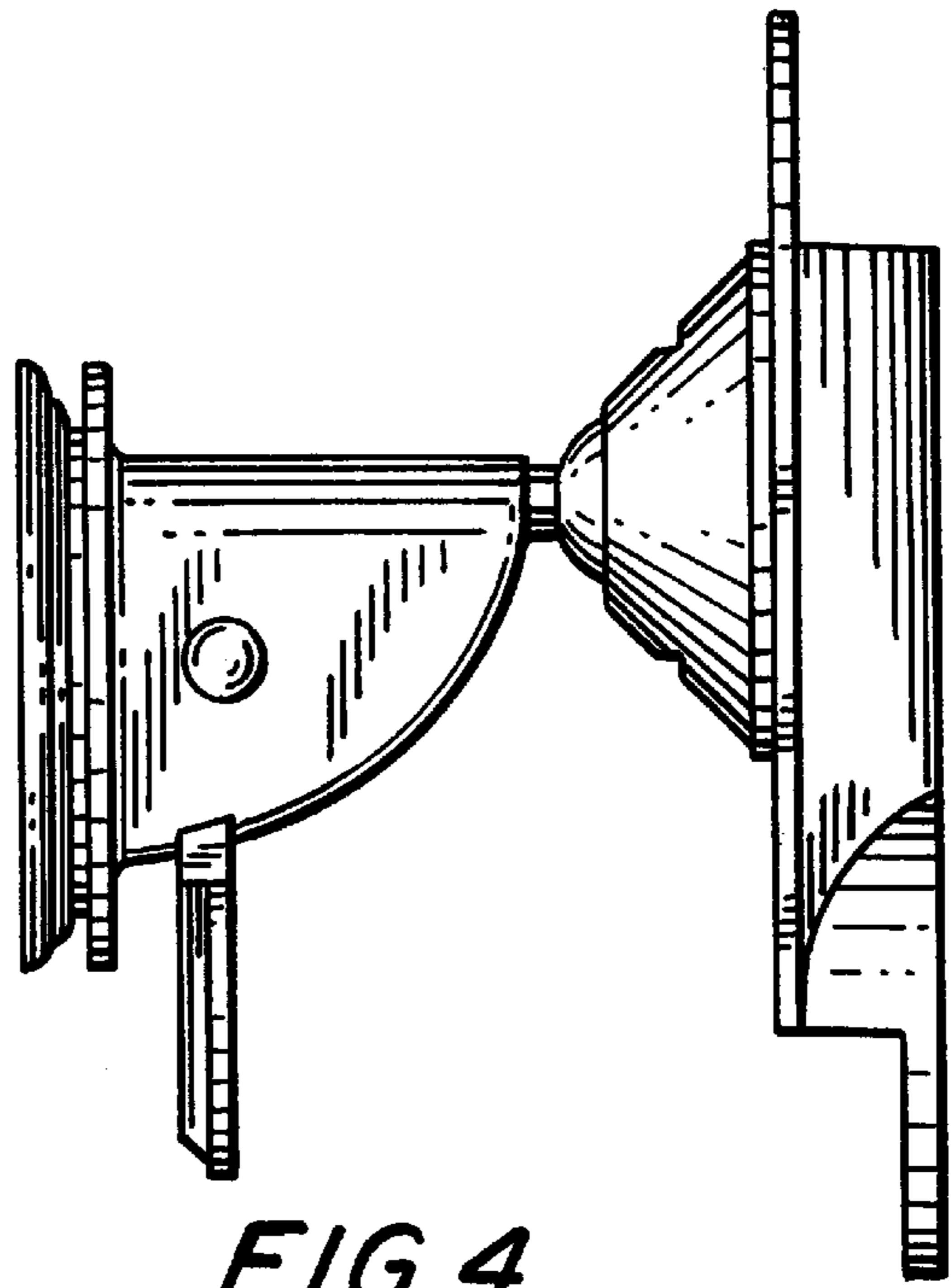
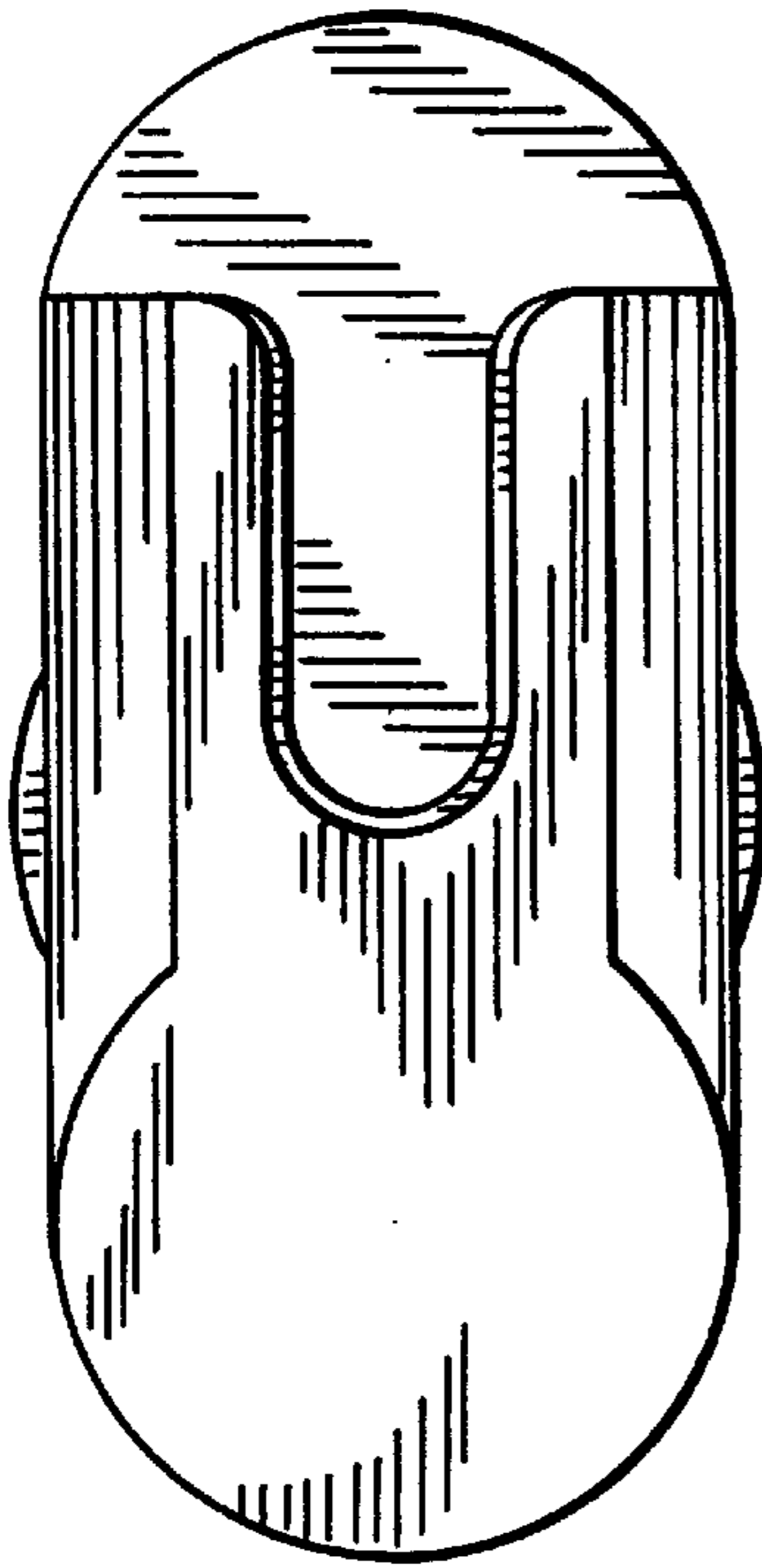


FIG. 5

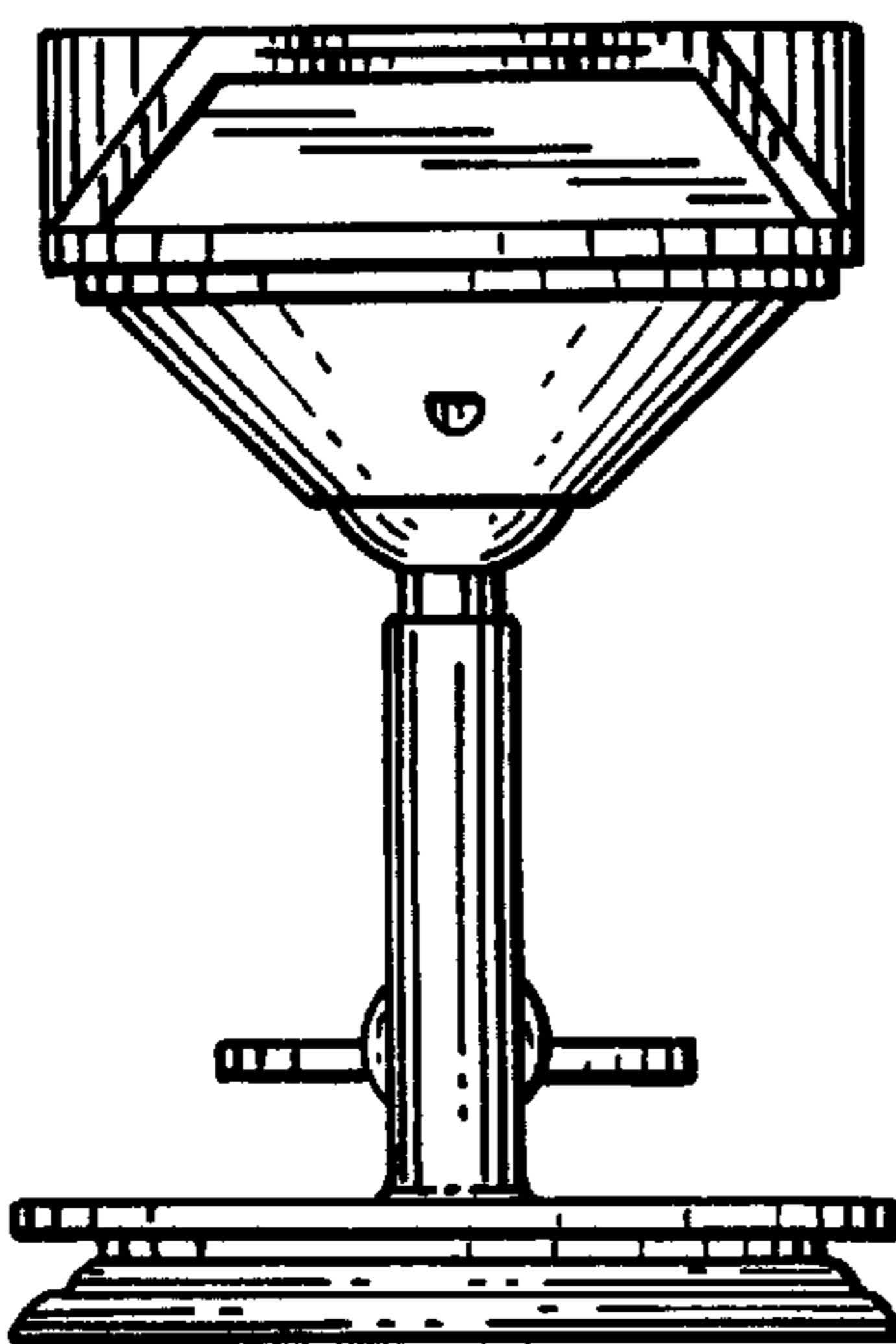


FIG. 6

