

US00D404036S

United States Patent [19]

Shin et al.

[11] Patent Number: Des. 404,036

[45] Date of Patent: **Jan. 12, 1999

[54] AUDIO SPEAKER

[75] Inventors: Jay Shin, Brooklyn; Charles Rozier, New York, both of N.Y.

[73] Assignee: Boston Acoustics, Inc., Peabody, Mass.

[**] Term: 14 Years

[21] Appl. No.: 78,288

[22] Filed: Oct. 23, 1997

[51] LOC (6) Cl. 14-01

[52] U.S. Cl. D14/211; D14/214; D14/215

[58] Field of Search D14/204, 209-216, D14/219-222; 181/141-145, 148, 150-153, 157, 198-199; 381/24, 88, 90, 153, 159, 186, 188

[56] References Cited

U.S. PATENT DOCUMENTS

D. 182,794	5/1958	Eames	D14/215
D. 319,243	8/1991	Yamakawa	D14/216
D. 363,485	10/1995	Pierce	D14/214
D. 377,176	1/1997	Ito et al.	D14/215

OTHER PUBLICATIONS

Stereo Review, p. 22, Canton loudspeaker, Jan. 1988.
Sony Style, Spring/Summer 1993, p. 288, Personal Active Stereo Speakers.

Primary Examiner—Ted Shooman
Assistant Examiner—Nanda Bondade
Attorney, Agent, or Firm—Wolf, Greenfield & Sacks, P.C.

[57] CLAIM

The ornamental design for an audio speaker, as shown and described.

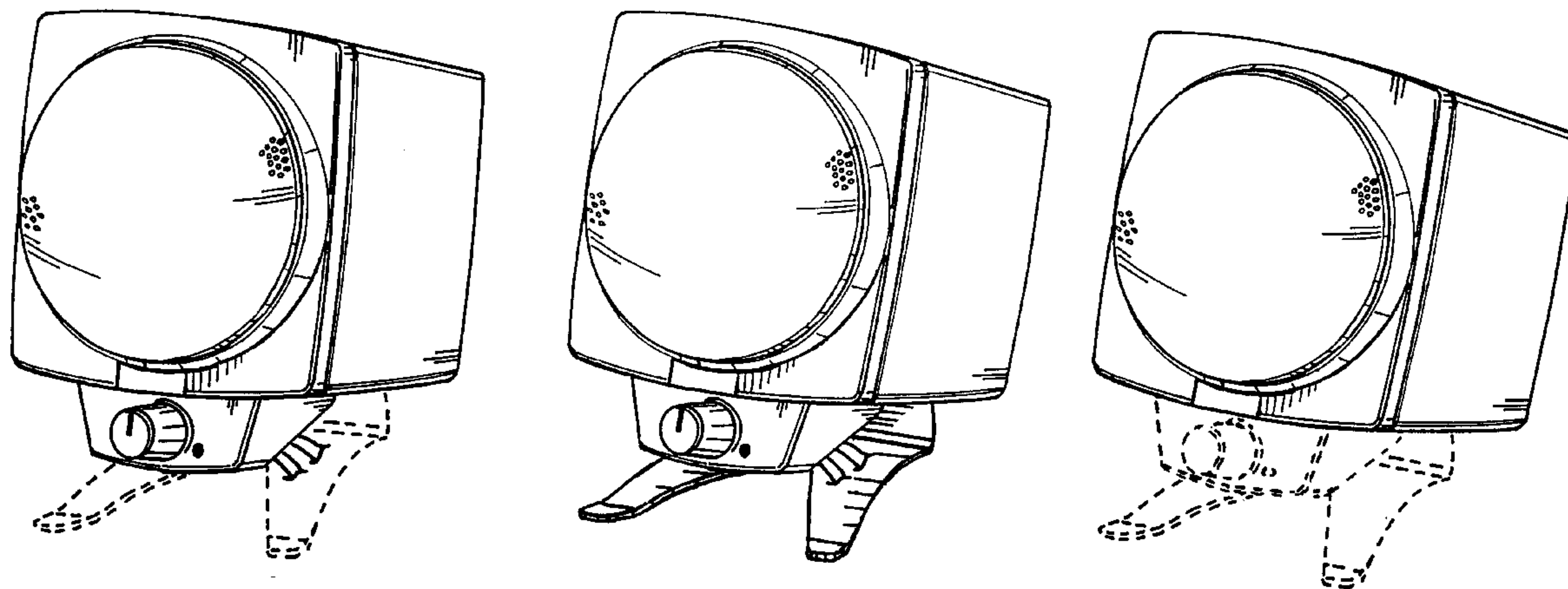
DESCRIPTION

FIG. 1 is a front, right perspective view of the first embodiment of an audio speaker showing our new design; FIG. 2 is a front elevational view thereof; FIG. 3 is a rear elevational view of FIG. 1 and 9; FIG. 4 is a top plan view of FIG. 9; FIG. 5 is a bottom plan view of FIG. 9; FIG. 6 is a bottom plan view of embodiment shown in FIG. 1; FIG. 7 is a left side elevational view of embodiment shown in FIG. 1; FIG. 8 is a front, right perspective view of the second embodiment of FIG. 1, the left side being a mirror image of the right side; FIG. 9 is a front, right perspective view fo the third embodiment of FIG. 1, the left side being a mirror image of the right side; FIG. 10 is a rear elevational view of FIG. 8; and, FIG. 11 is a bottom plan view of FIG. 8.

The broken line showing of the foot assembly in FIGS. 1-3, 6-7 and 9; and the switch assembly in FIG. 9 is for illustrative purposes only and forms no part of the claimed design.

The undisclosed top view of embodiment of FIG. 1 is similar to FIG. 4 with the switch assembly; and the undisclosed top view of embodiment of FIG. 8 is similar to FIG. 4 with the switch assembly and foot assembly.

1 Claim, 4 Drawing Sheets



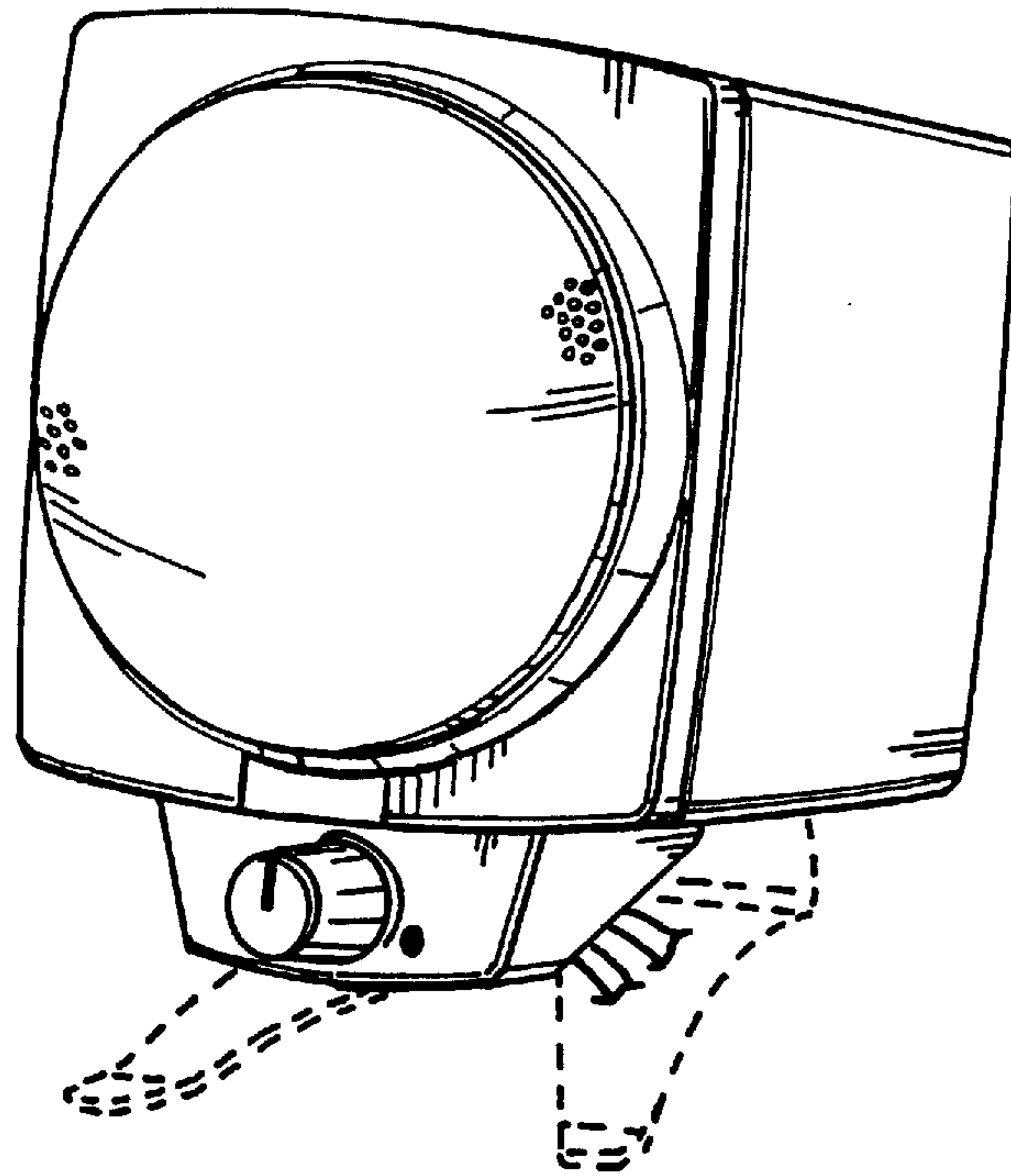


Fig. 1

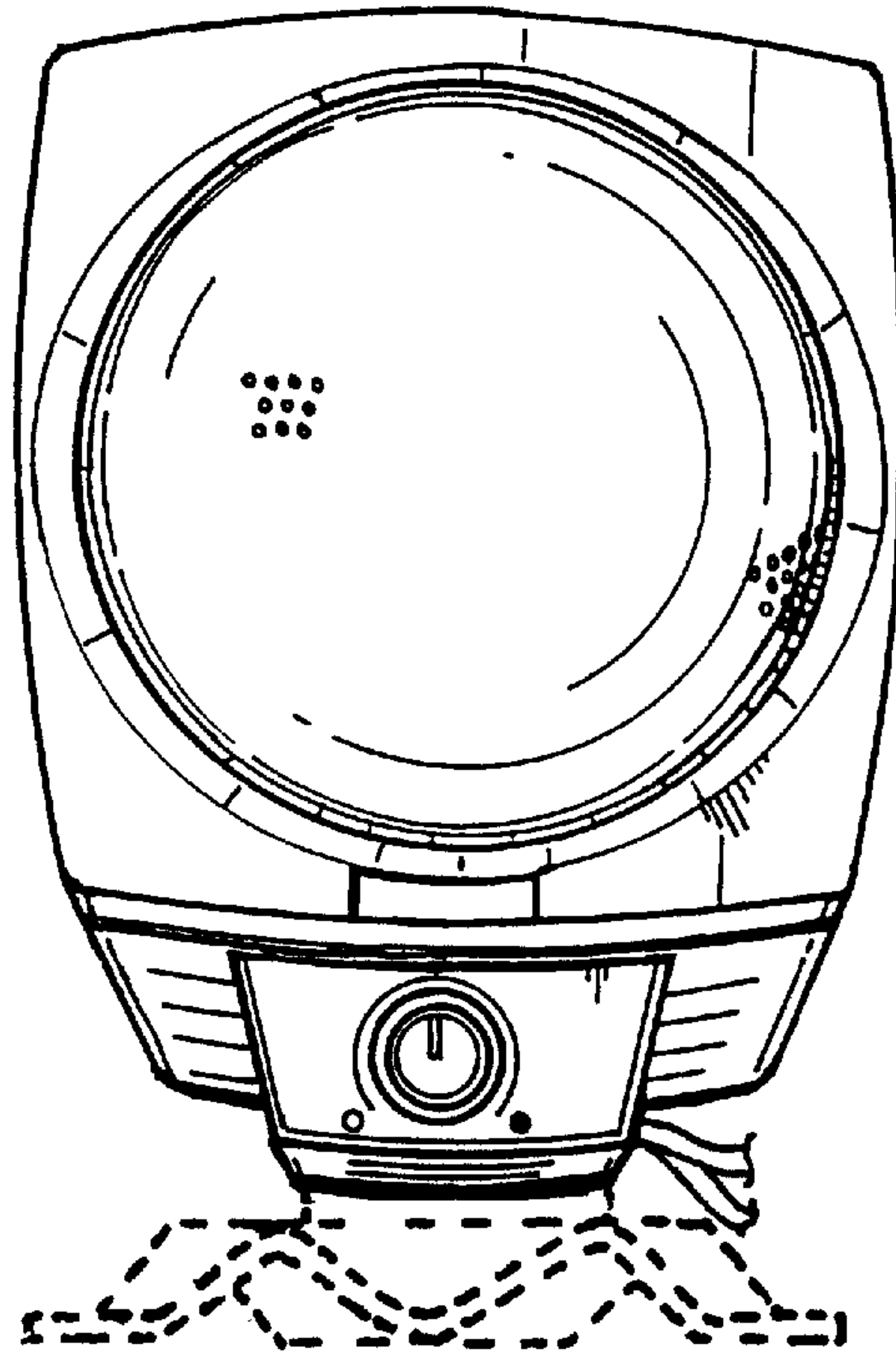


Fig. 2

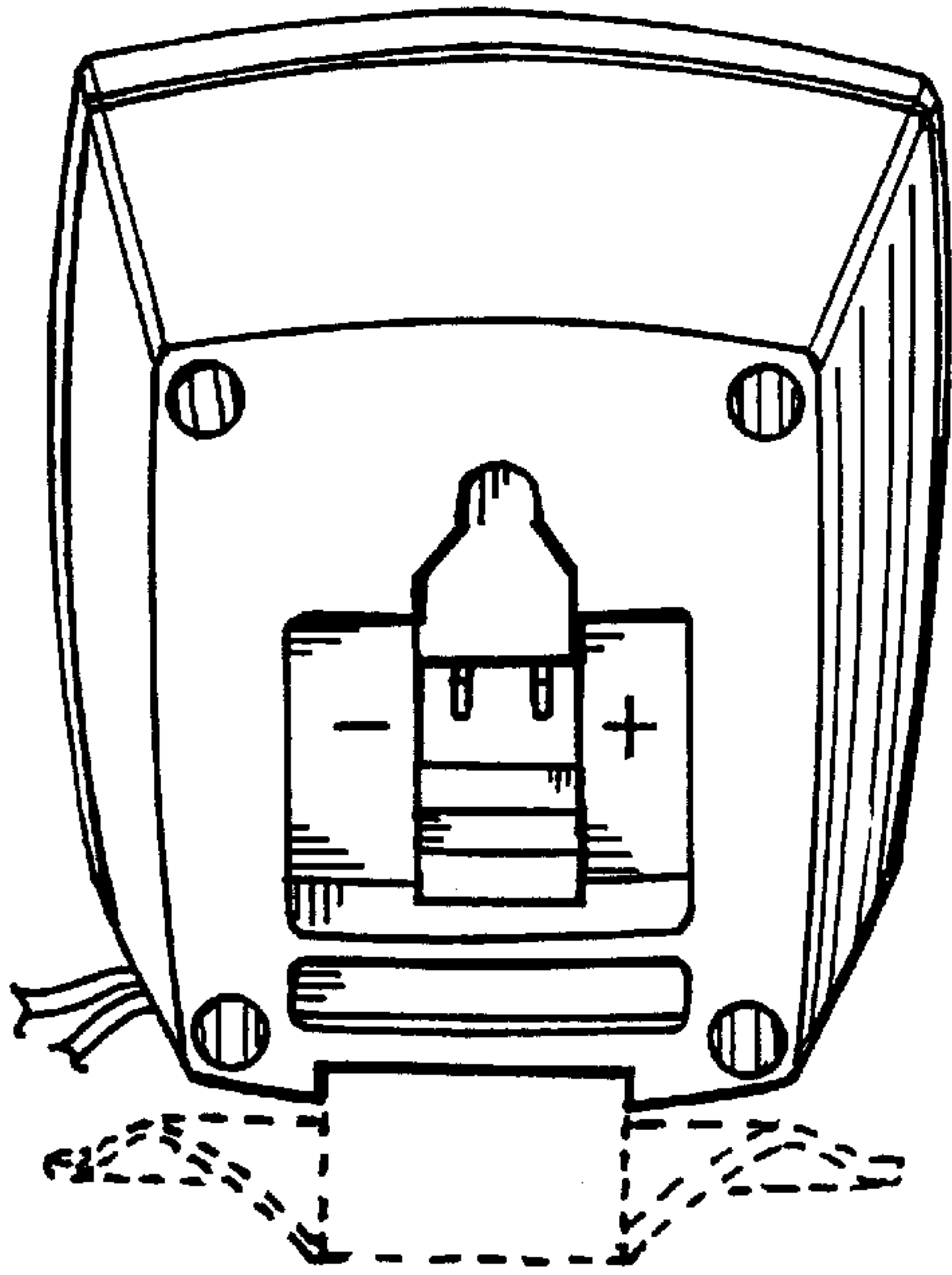


Fig. 3

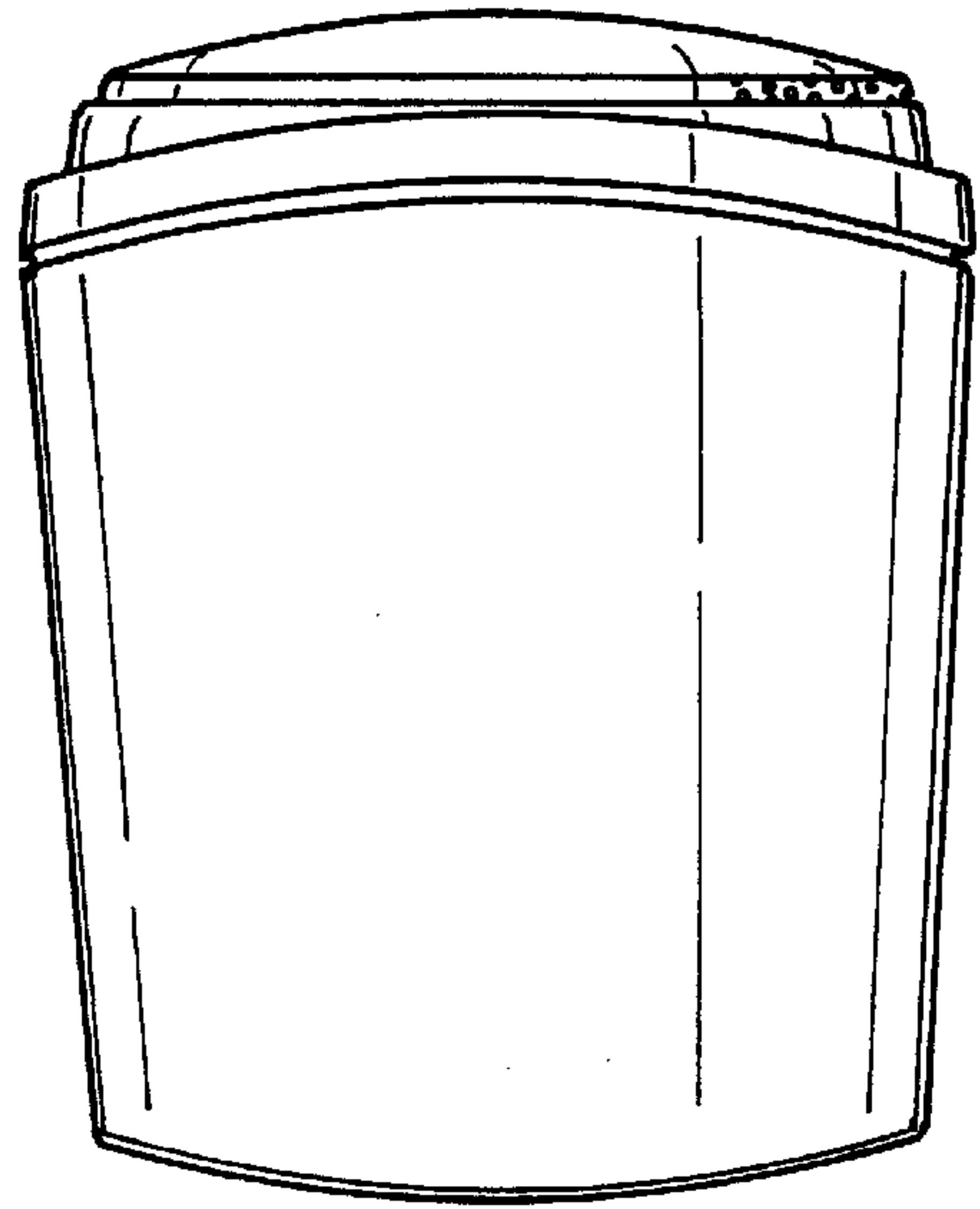


Fig. 4

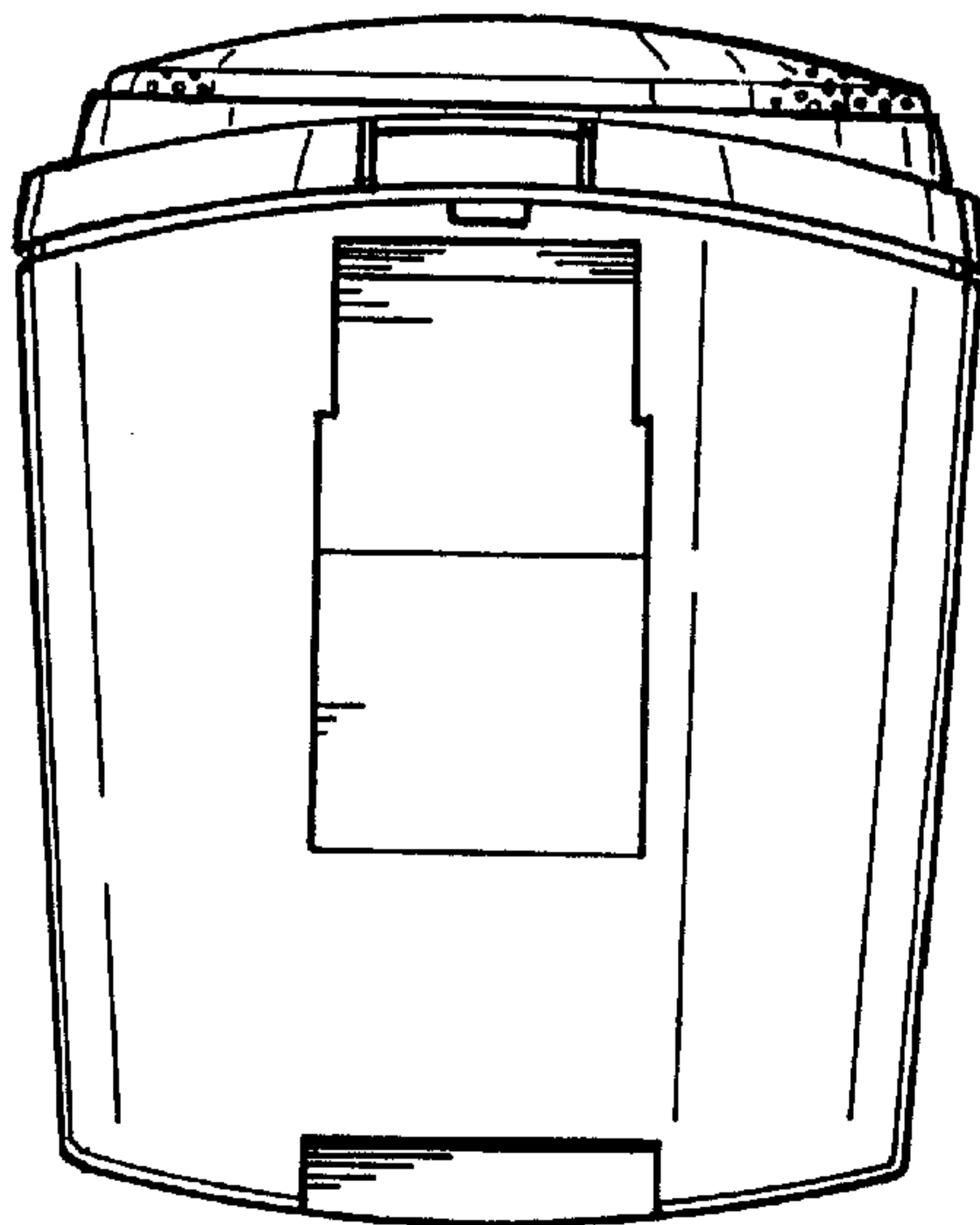


Fig. 5

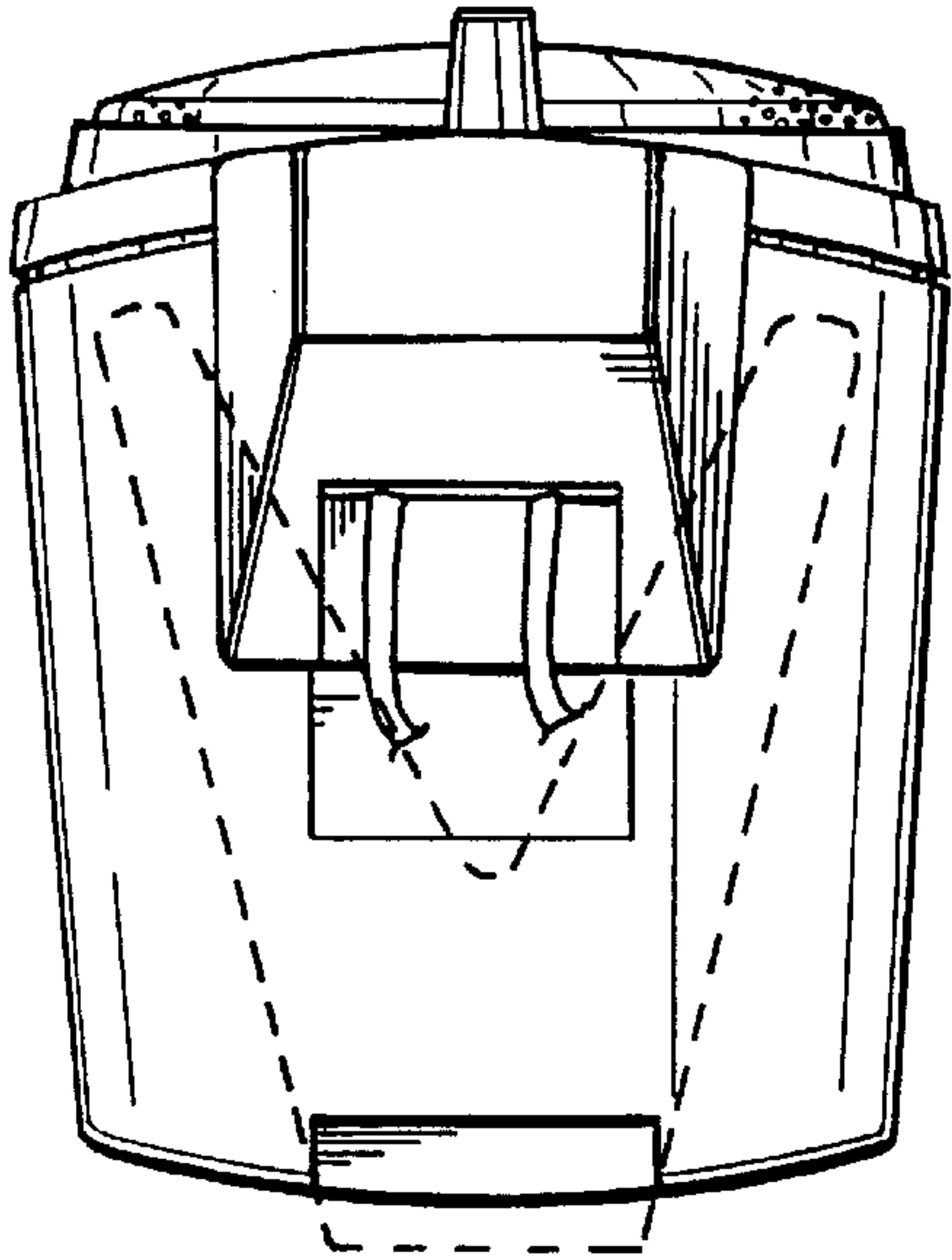


Fig. 6

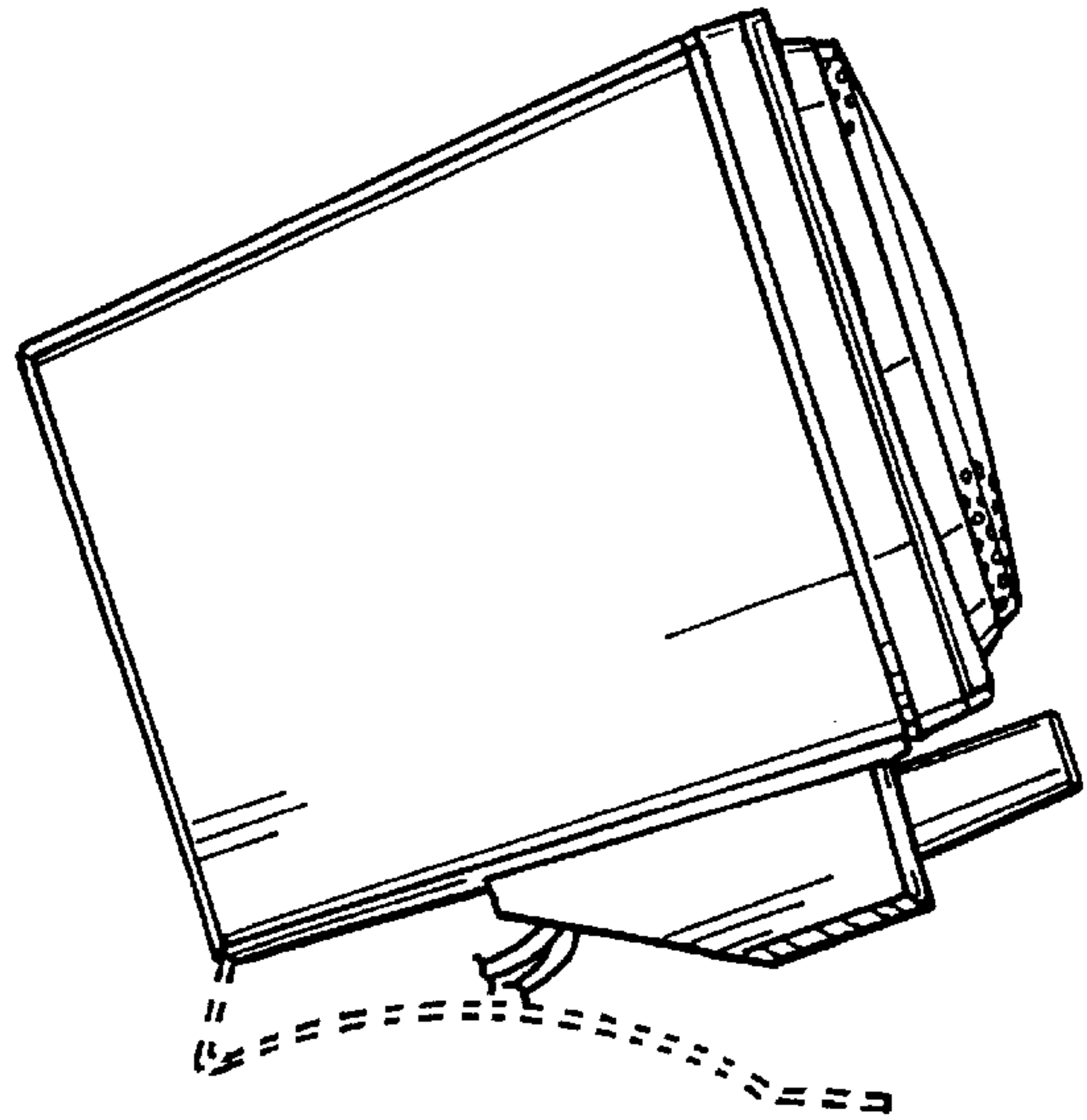


Fig. 7

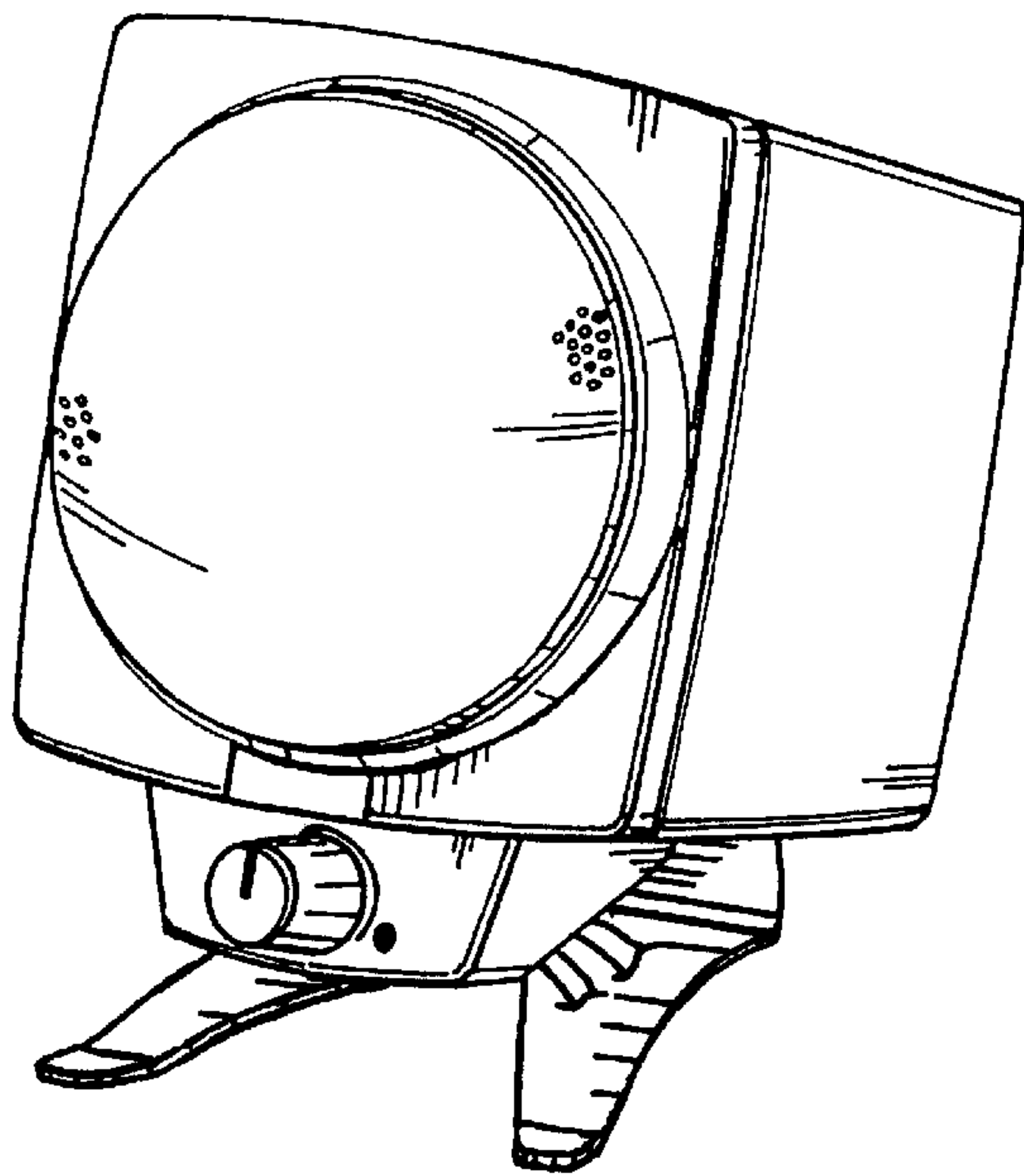


Fig. 8

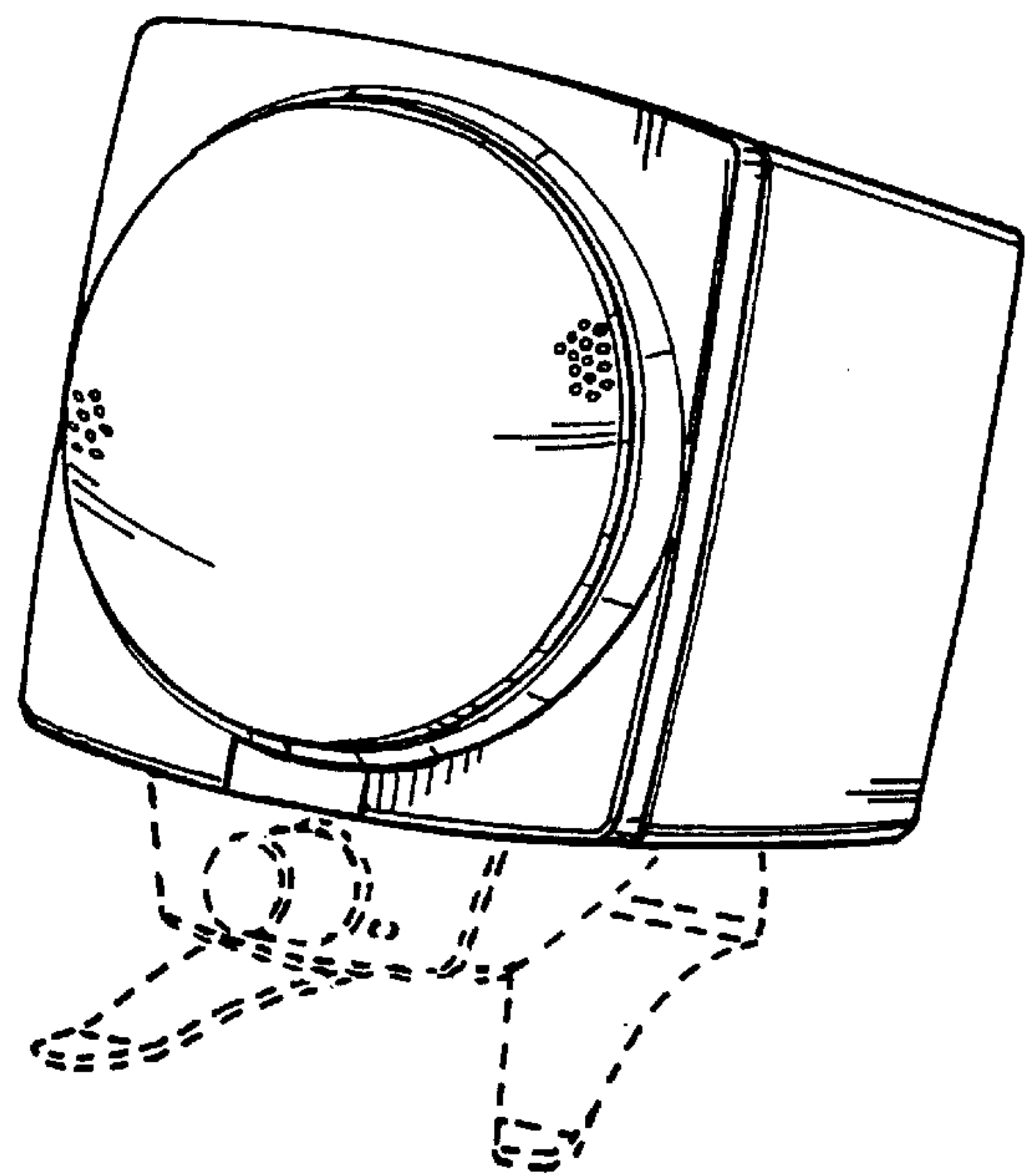


Fig. 9

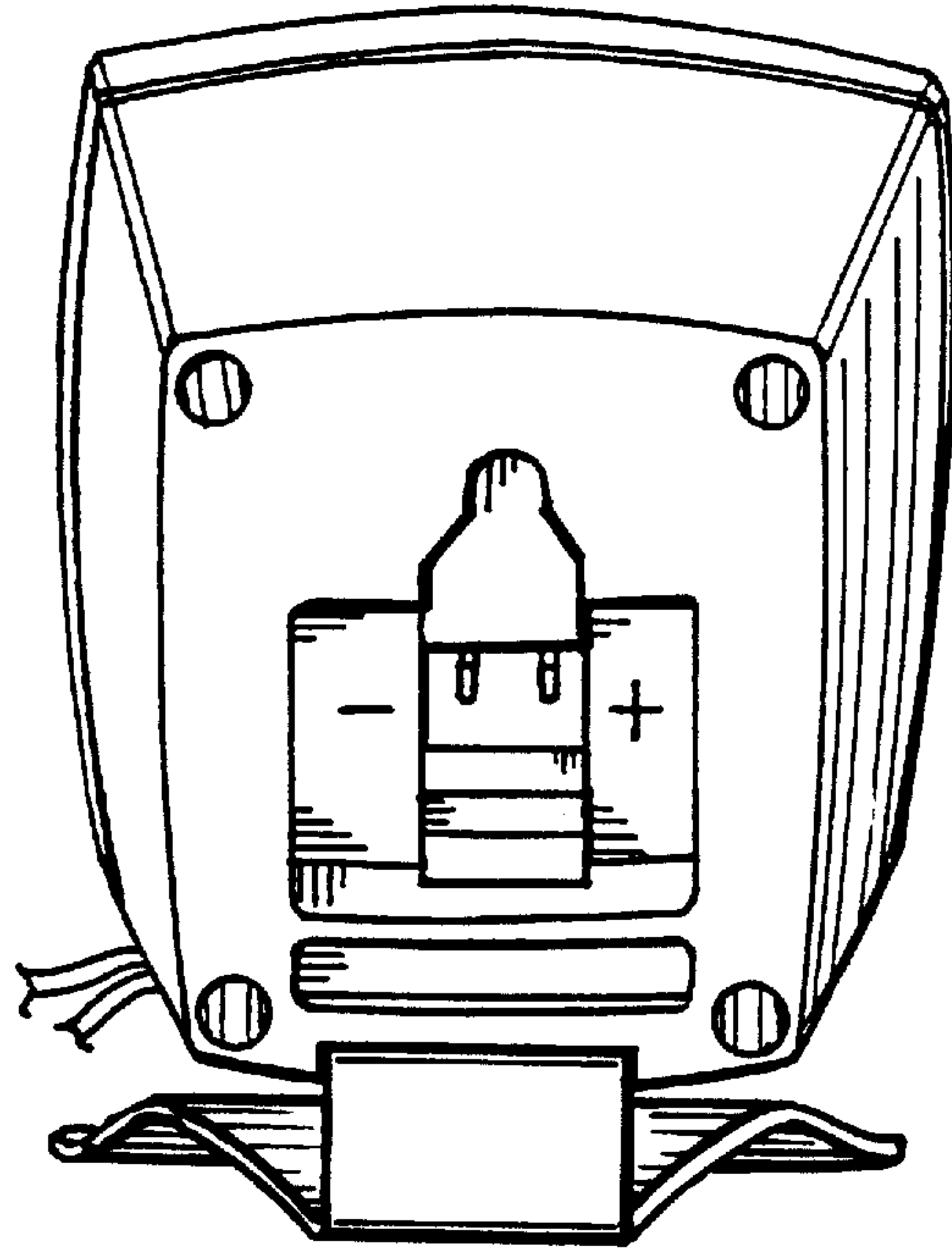


Fig. 10

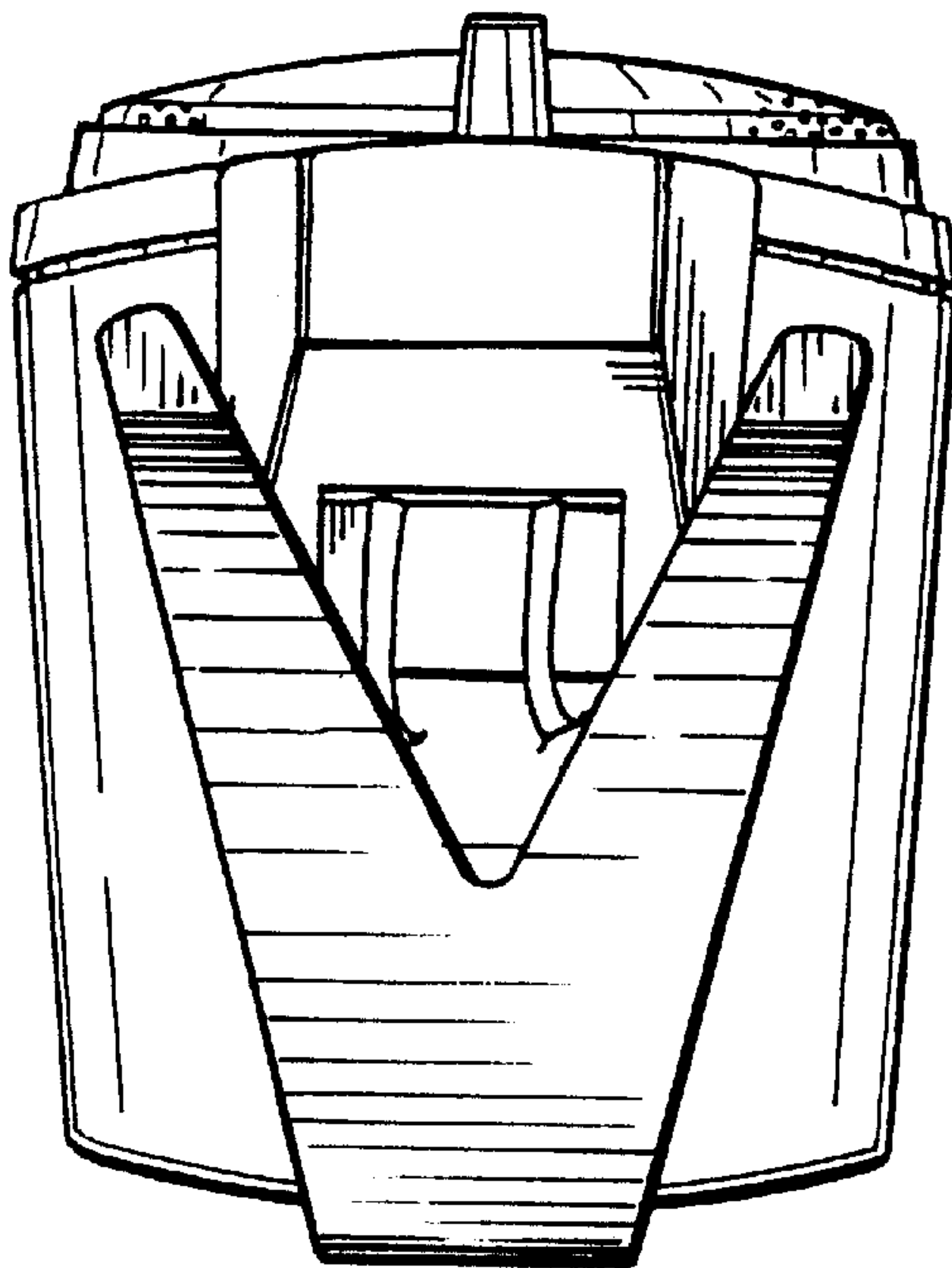


Fig. 11