



US00D404031S

# United States Patent [19] Uchiyama

[11] **Patent Number: Des. 404,031**

[45] **Date of Patent: \*\*Jan. 12, 1999**

[54] **DIGITAL AUDIO DISC PLAYER**

[75] Inventor: **Jun Uchiyama**, Tokyo, Japan

[73] Assignee: **Sony Corporation**, Tokyo, Japan

[\*\*] Term: **14 Years**

[21] Appl. No.: **82,704**

[22] Filed: **Jan. 5, 1998**

D. 379,625 6/1997 Uchiyama ..... D14/156  
D. 387,755 12/1997 Shintani ..... D14/135  
5,593,220 1/1997 Seid et al. .... 361/724 X

*Primary Examiner*—James Gandy  
*Assistant Examiner*—Cathron B. Matta  
*Attorney, Agent, or Firm*—Foley & Lardner

[57] **CLAIM**

The ornamental design for a digital audio disc player, as shown and described.

### Related U.S. Application Data

[62] Division of Ser. No. 58,199, Aug. 9, 1996, Pat. No. Des. 390,227.

[51] **LOC (6) Cl.** ..... **14-01**

[52] **U.S. Cl.** ..... **D14/156**

[58] **Field of Search** ..... D14/124, 135,  
D14/136, 156, 157; 361/671-681, 724;  
369/75.1, 75.2, 77.2, 213, 270, 6, 7, 11,  
12

### DESCRIPTION

FIG. 1 is a perspective view of a digital audio disc player showing my new design;  
FIG. 2 is a perspective view thereof wherein the cover portion is in the open position;  
FIG. 3 is a top plan view thereof;  
FIG. 4 is a left side elevational view thereof;  
FIG. 5 is a front elevational view thereof;  
FIG. 6 is a bottom plan view thereof;  
FIG. 7 is a right side elevational view thereof; and,  
FIG. 8 is a rear elevational view thereof.

The broken lines shown in the interior of the digital audio disc player are for illustrative purposes only and form no part of the claimed design.

[56] **References Cited**

#### U.S. PATENT DOCUMENTS

D. 321,190 10/1991 Ito et al. .... D14/135 X

**1 Claim, 4 Drawing Sheets**

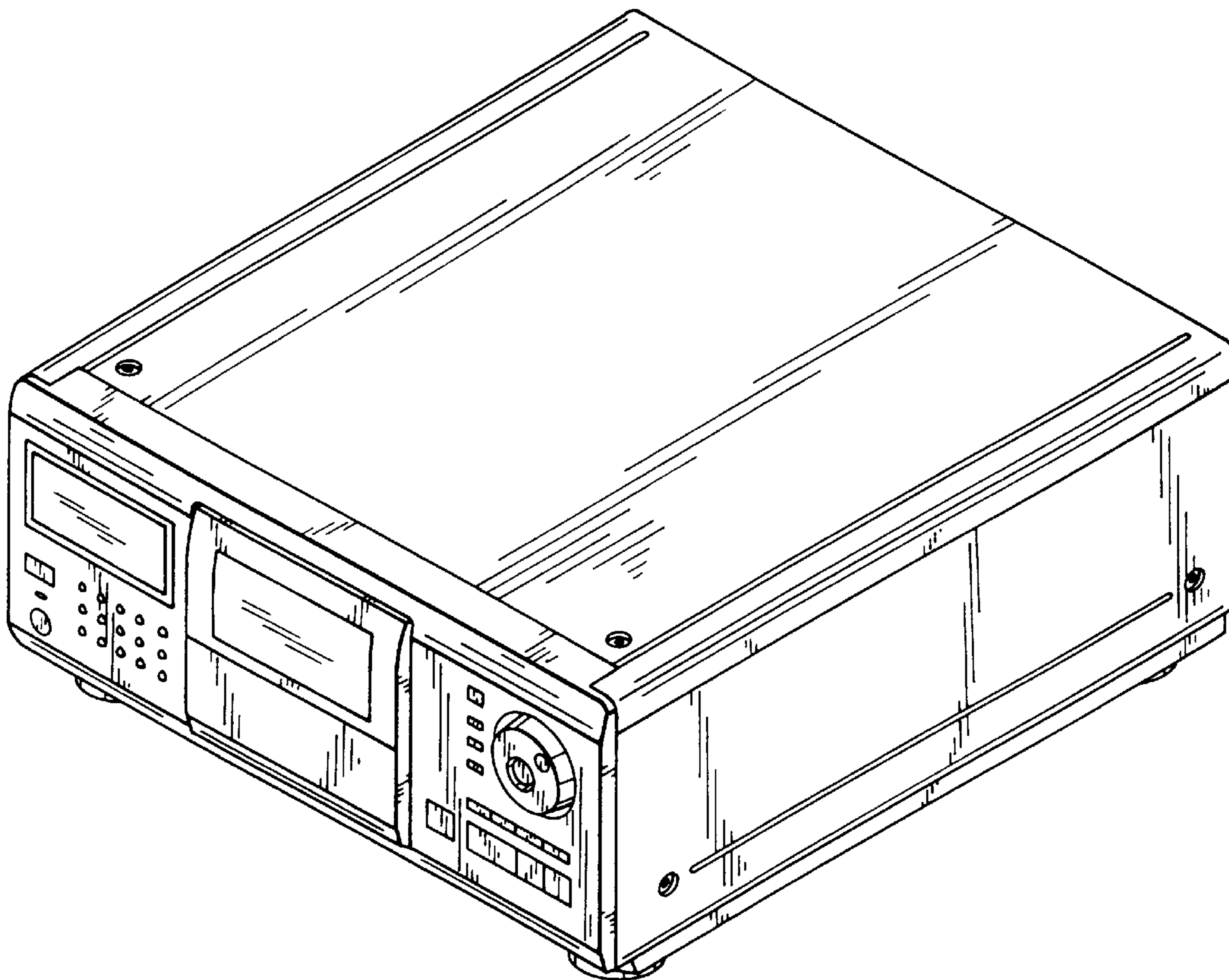


FIG. 1

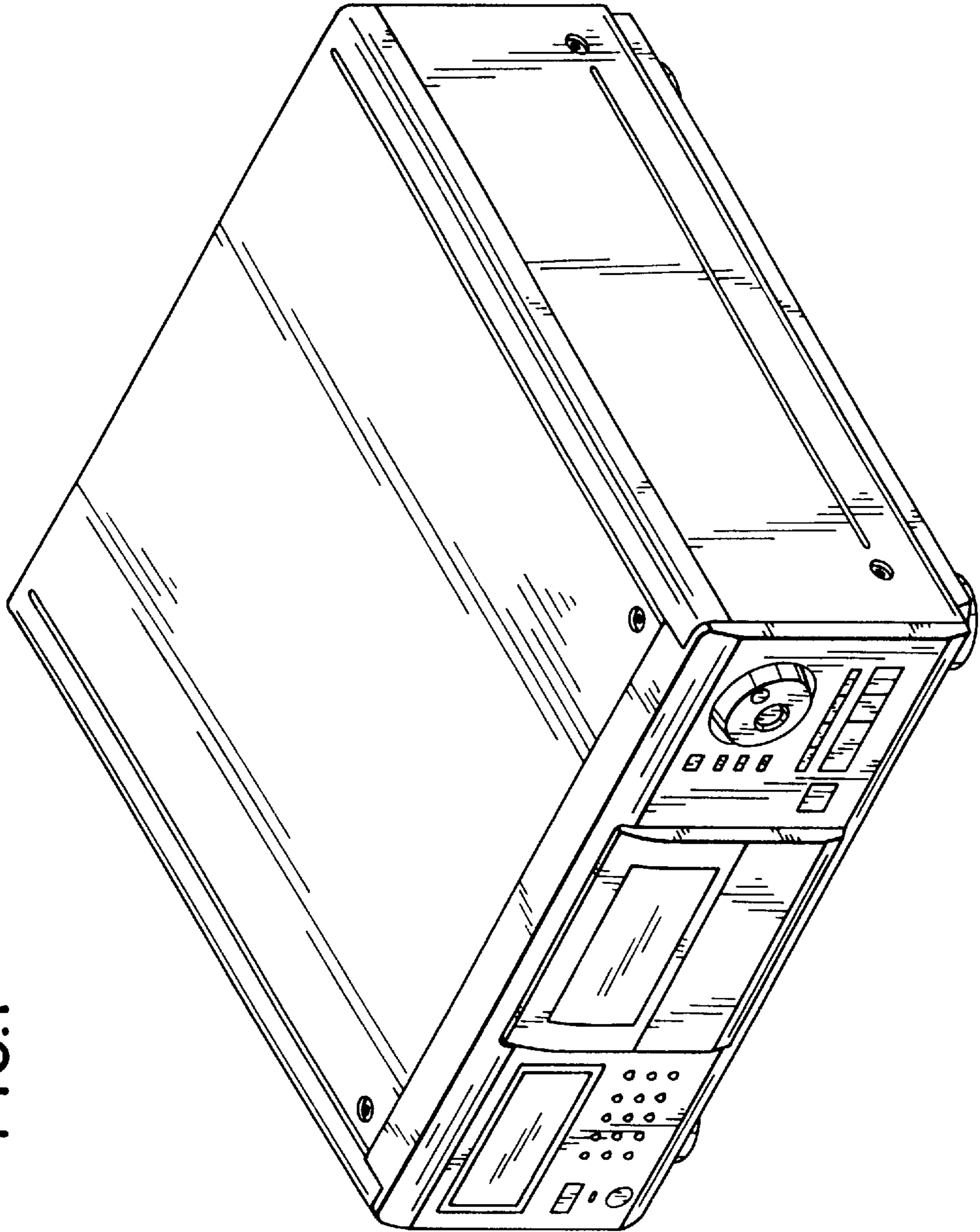


FIG. 2

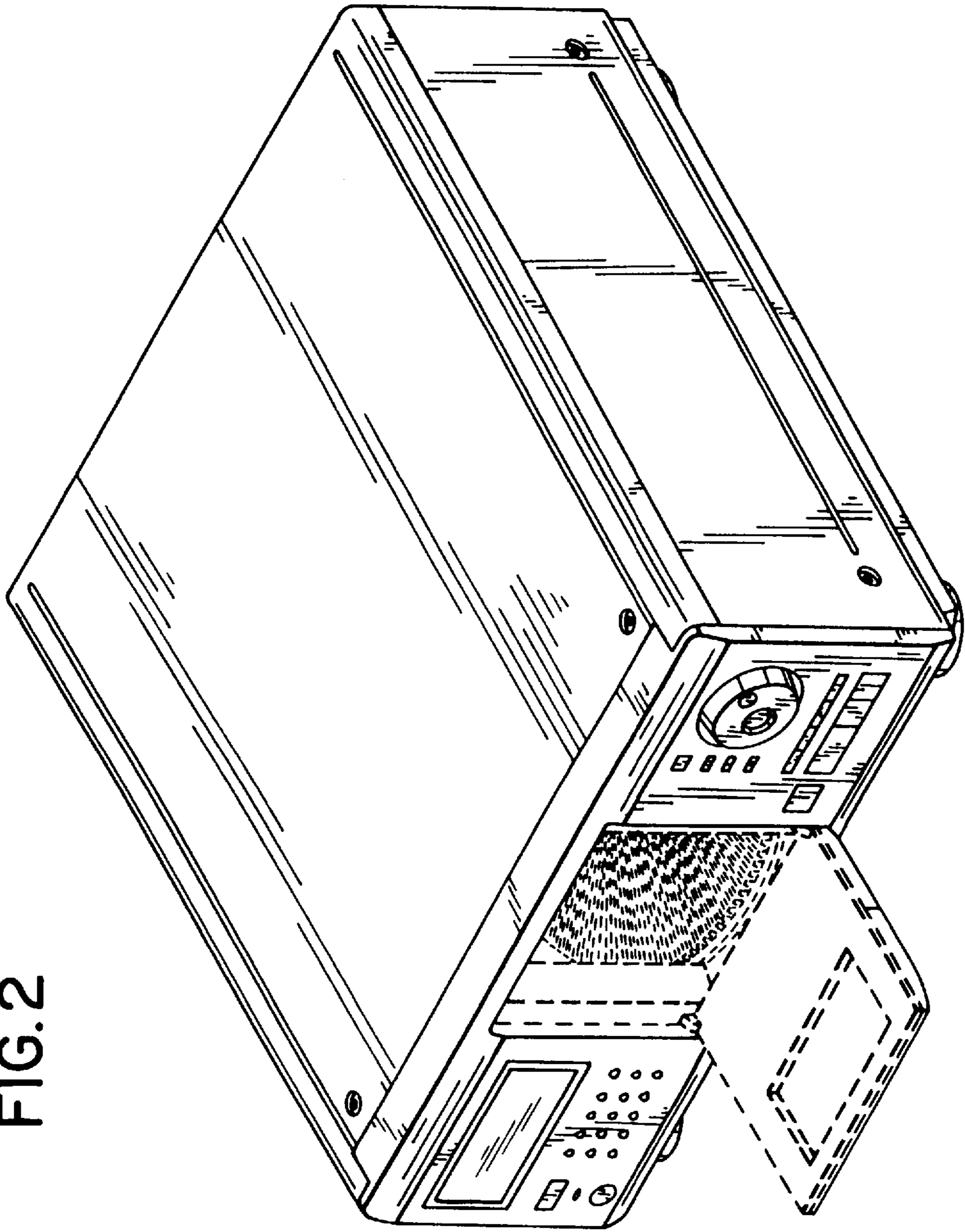


FIG.3

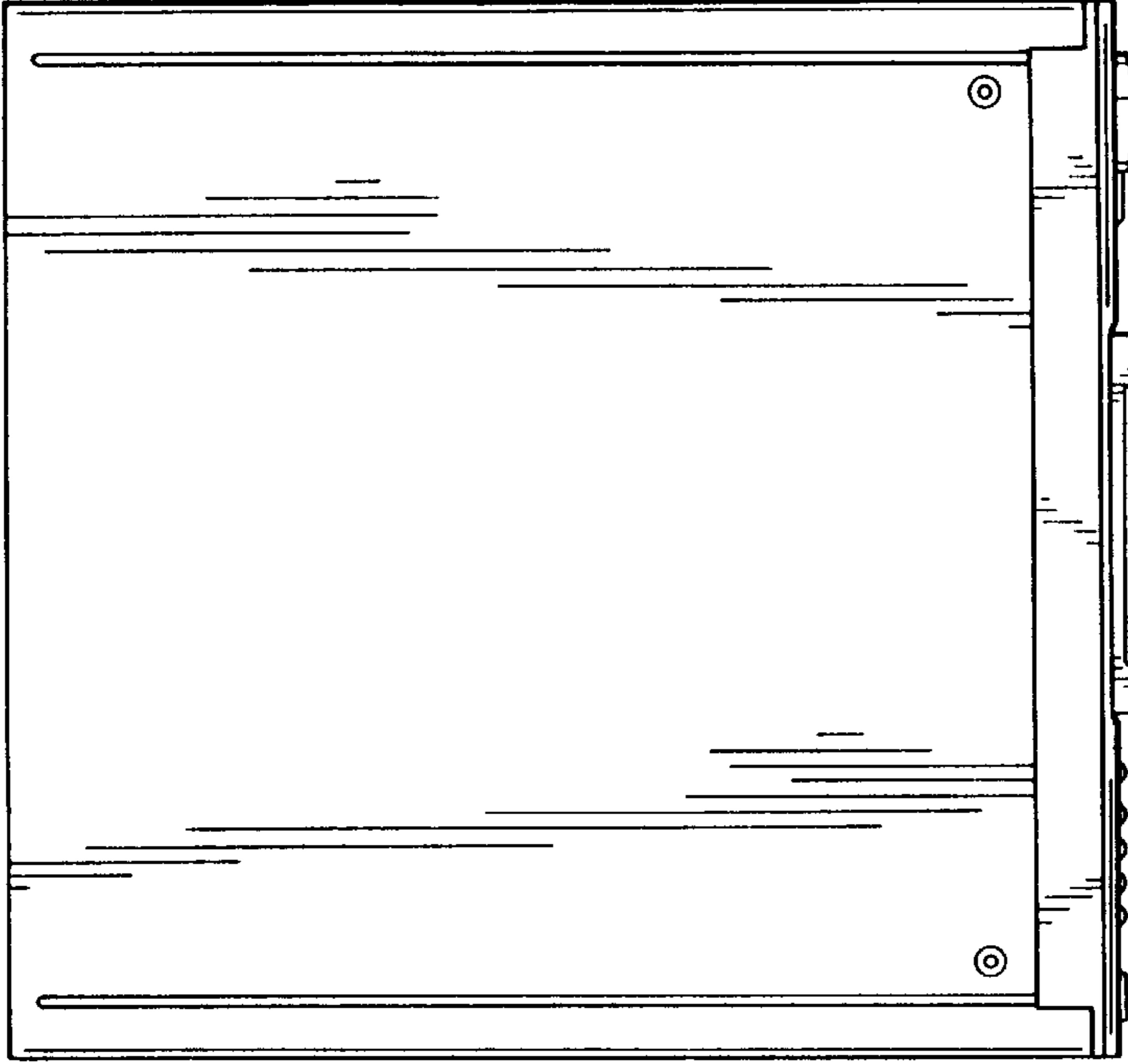


FIG.5

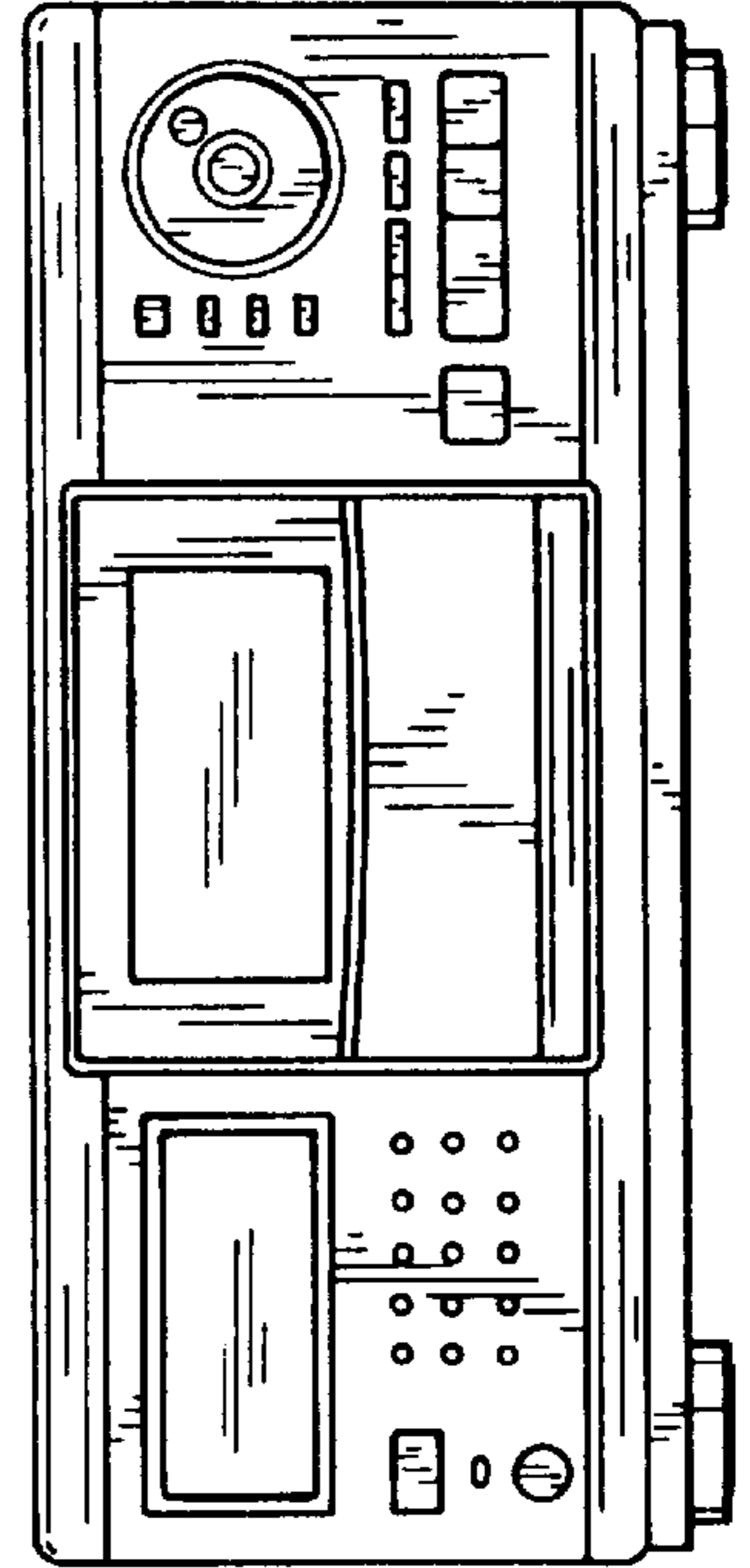
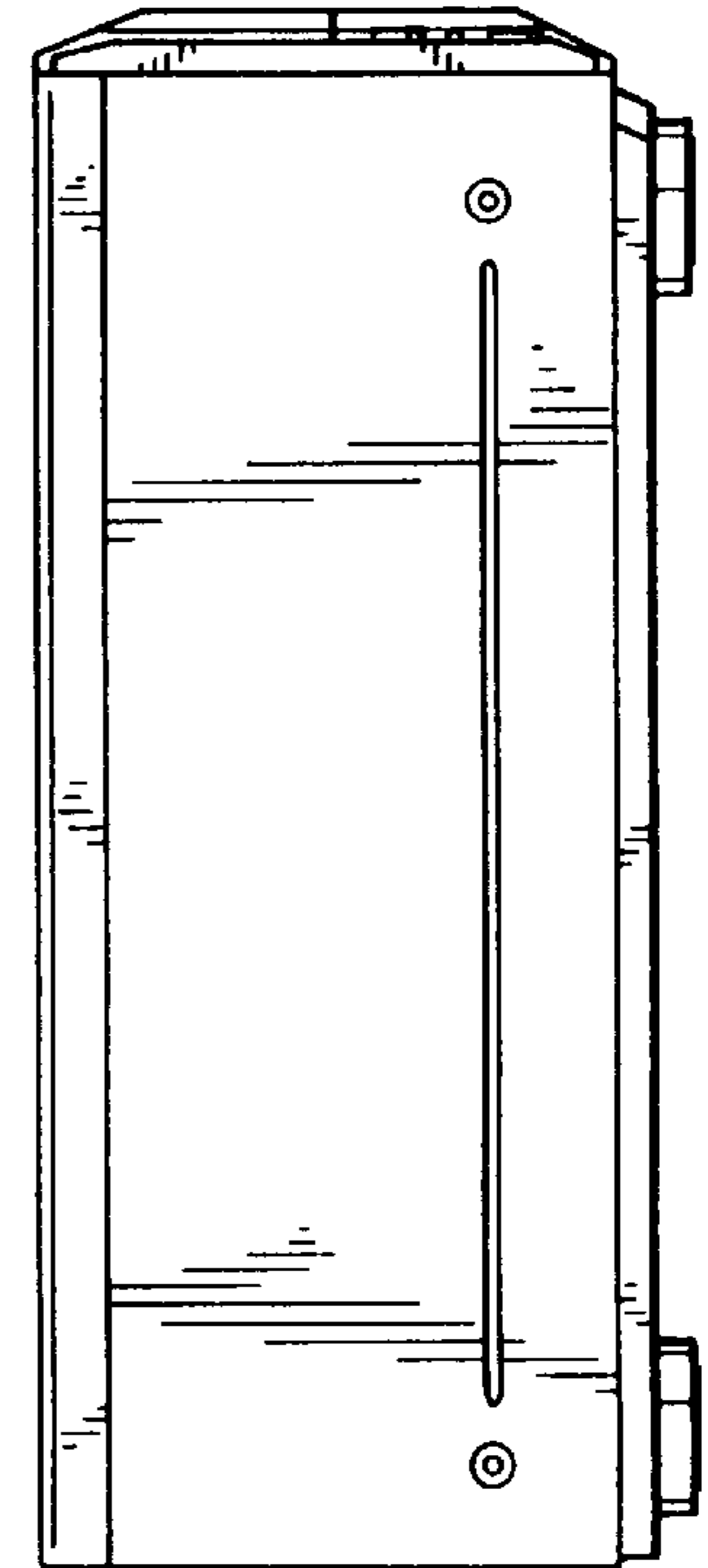


FIG.4



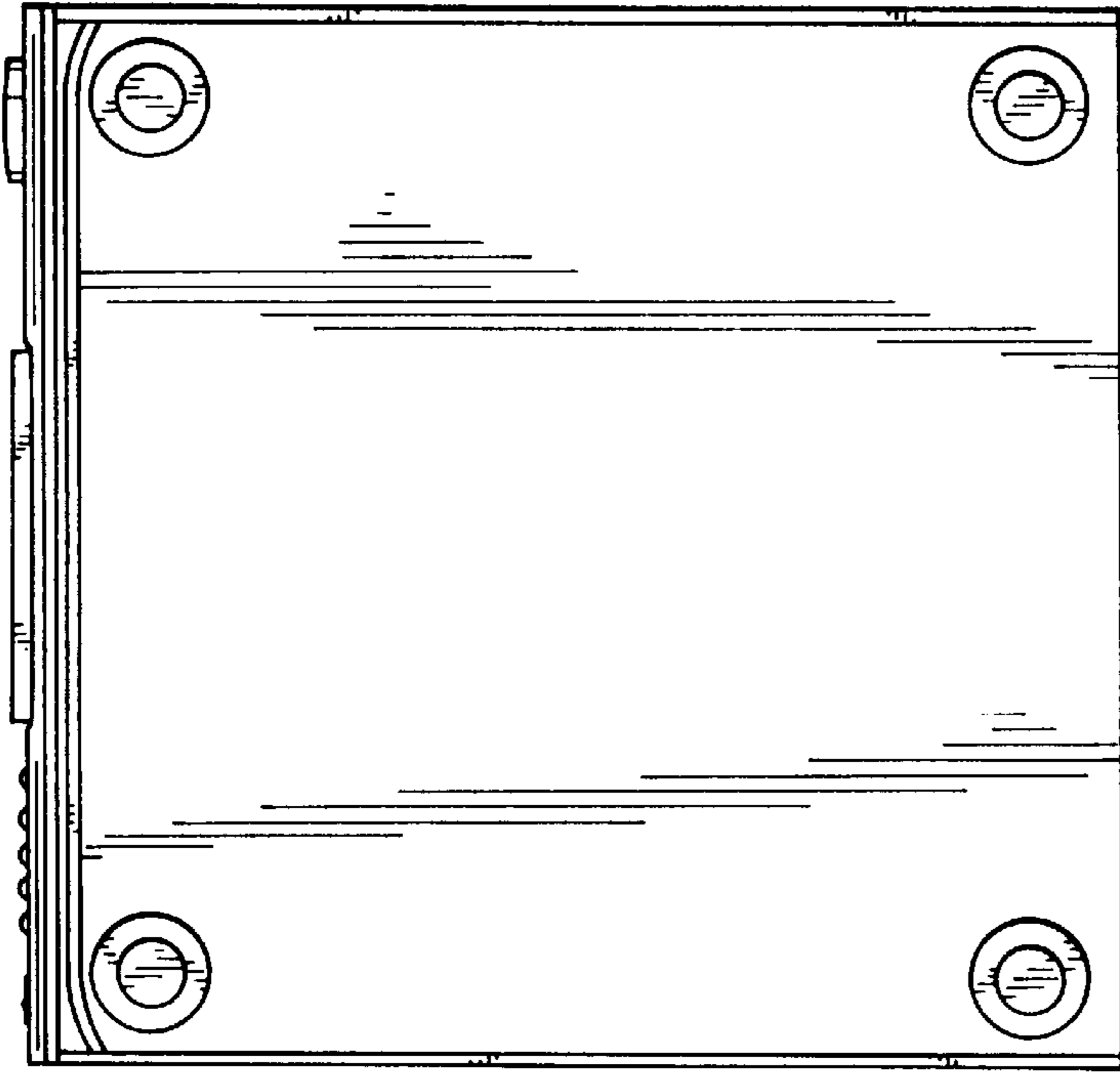


FIG. 6

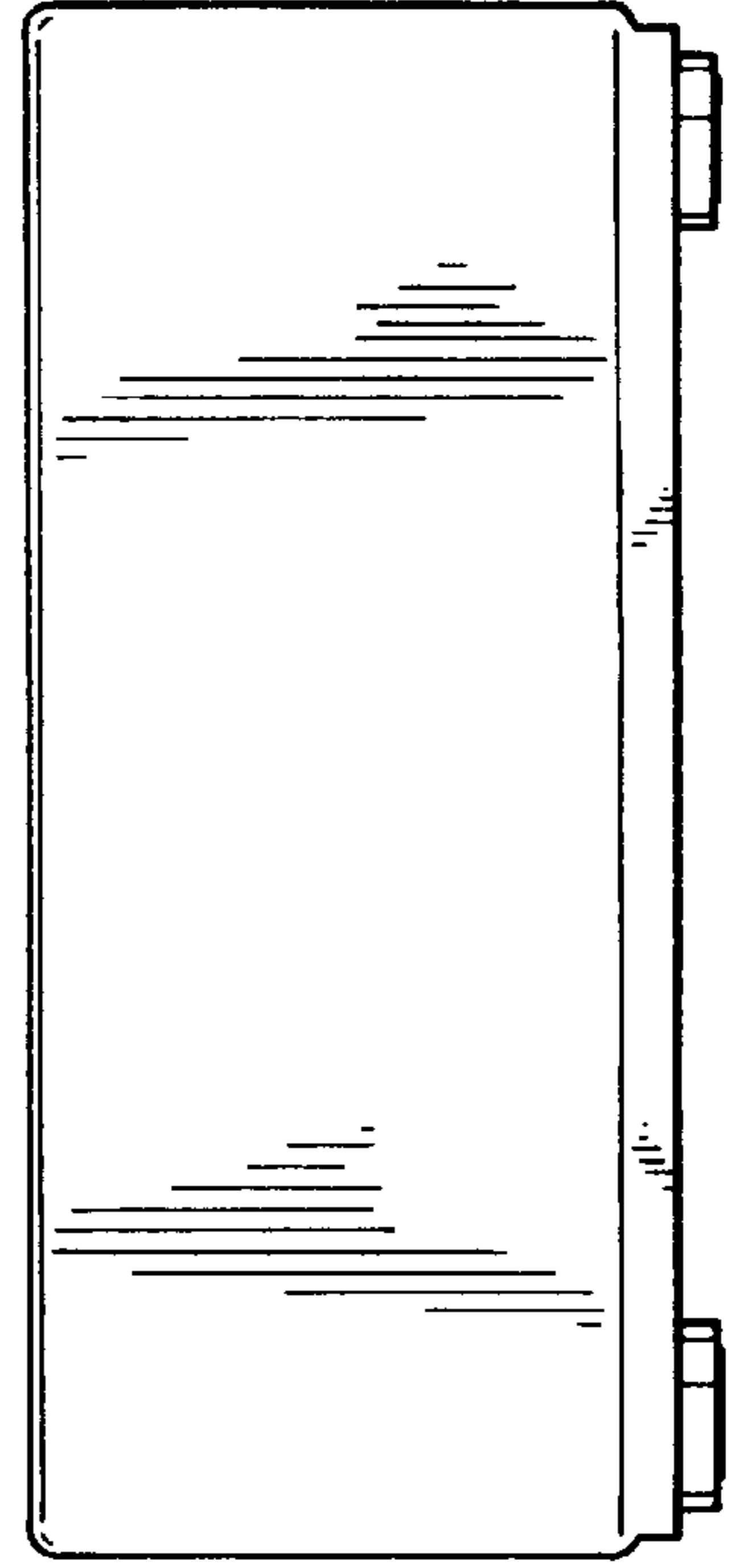


FIG. 8

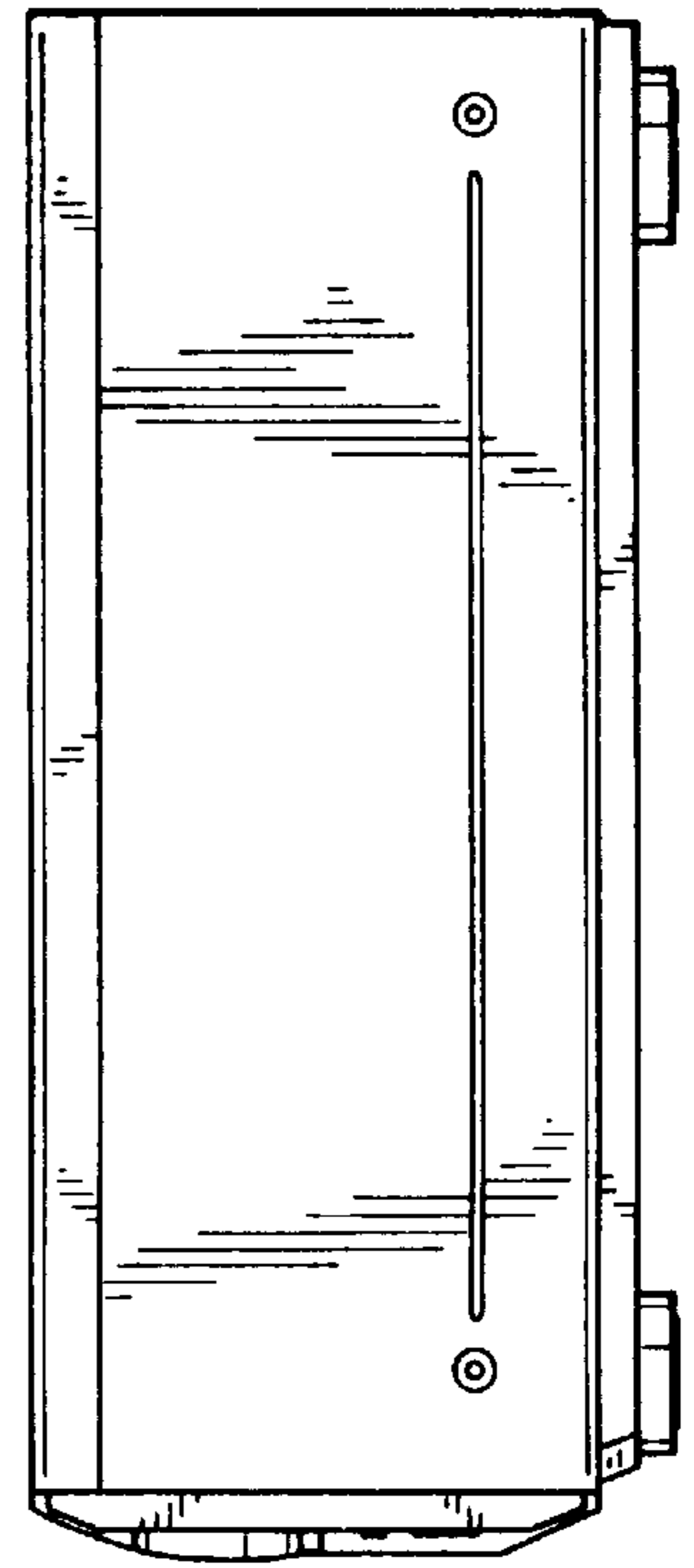


FIG. 7