



US00D404028S

United States Patent [19] Holbrook

[11] Patent Number: **Des. 404,028**

[45] Date of Patent: ****Jan. 12, 1999**

[54] **BATTERY TERMINAL CLAMP**

5,024,621 6/1991 Mata 439/771
5,445,907 8/1995 Ito et al. 429/178

[76] Inventor: **Robert E. Holbrook**, 923 Minerva Dr.,
Murfreesboro, Tenn. 37130

Primary Examiner—Joel Sincavage

[**] Term: **14 Years**

[57] **CLAIM**

[21] Appl. No.: **59,280**

The ornamental design for a battery terminal clamp, as shown and described.

[22] Filed: **Sep. 6, 1996**

DESCRIPTION

[51] **LOC (6) Cl.** **13-02**

[52] **U.S. Cl.** **D13/120**

[58] **Field of Search** D13/119, 120,
D13/151; 439/861, 756, 810, 765, 771;
429/121

FIG. 1 is a top, left perspective view of a battery terminal clamp showing my new design;
FIG. 2 is a right side view thereof;
FIG. 3 is a left side view thereof;
FIG. 4 is a top plan view thereof;
FIG. 5 is a bottom plan view thereof;
FIG. 6 is a front elevational view thereof; and,
FIG. 7 is a rear elevational view thereof.

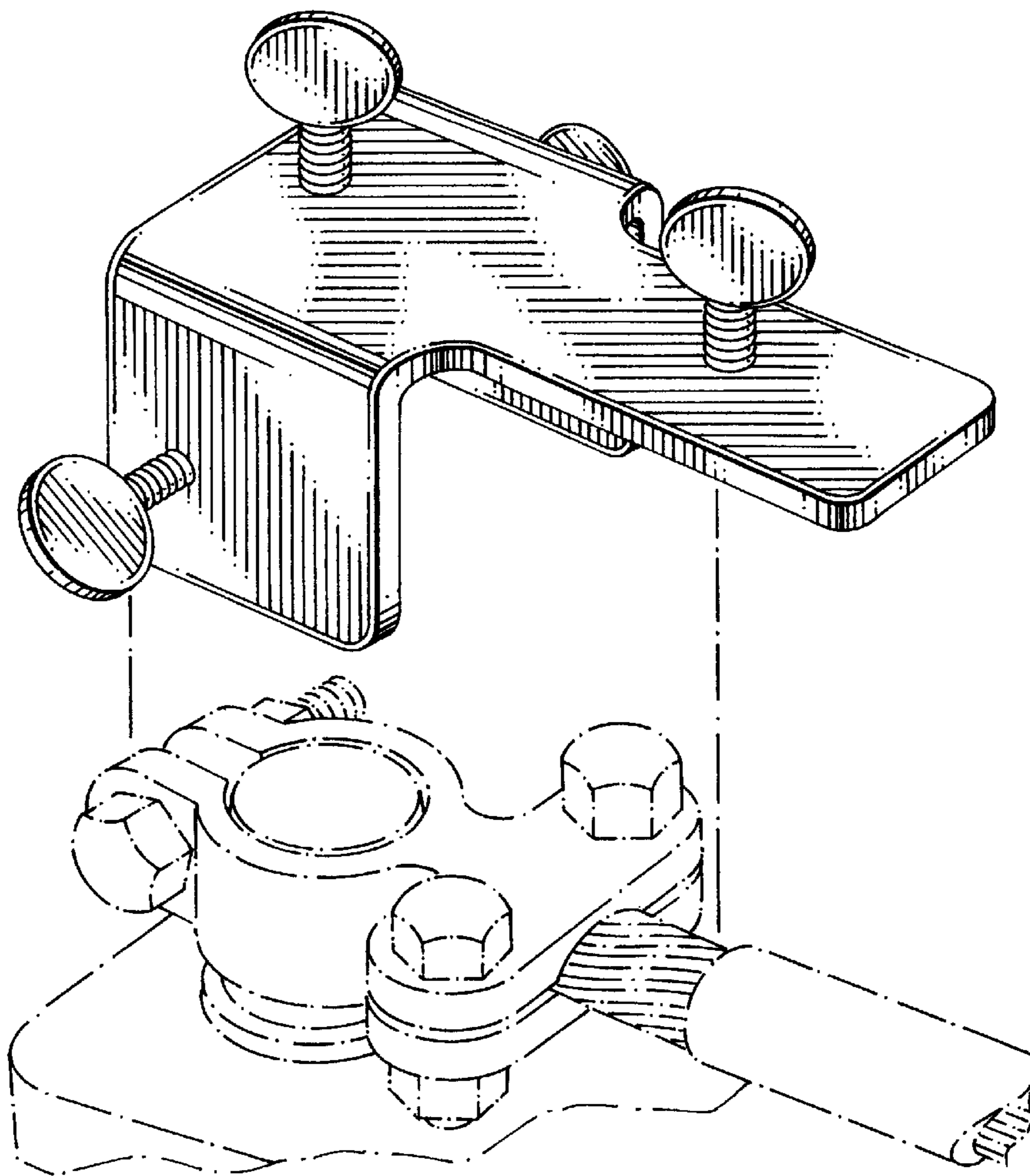
[56] **References Cited**

U.S. PATENT DOCUMENTS

D. 276,424	11/1984	Di Piazza	D13/120
1,766,515	6/1930	Heibert	439/771
3,694,794	9/1972	Hein	439/771
3,694,798	9/1972	Juoian	439/771

The phantom battery and battery terminal portions illustrated in FIG. 1 do not form a part of the claimed invention.

1 Claim, 1 Drawing Sheet



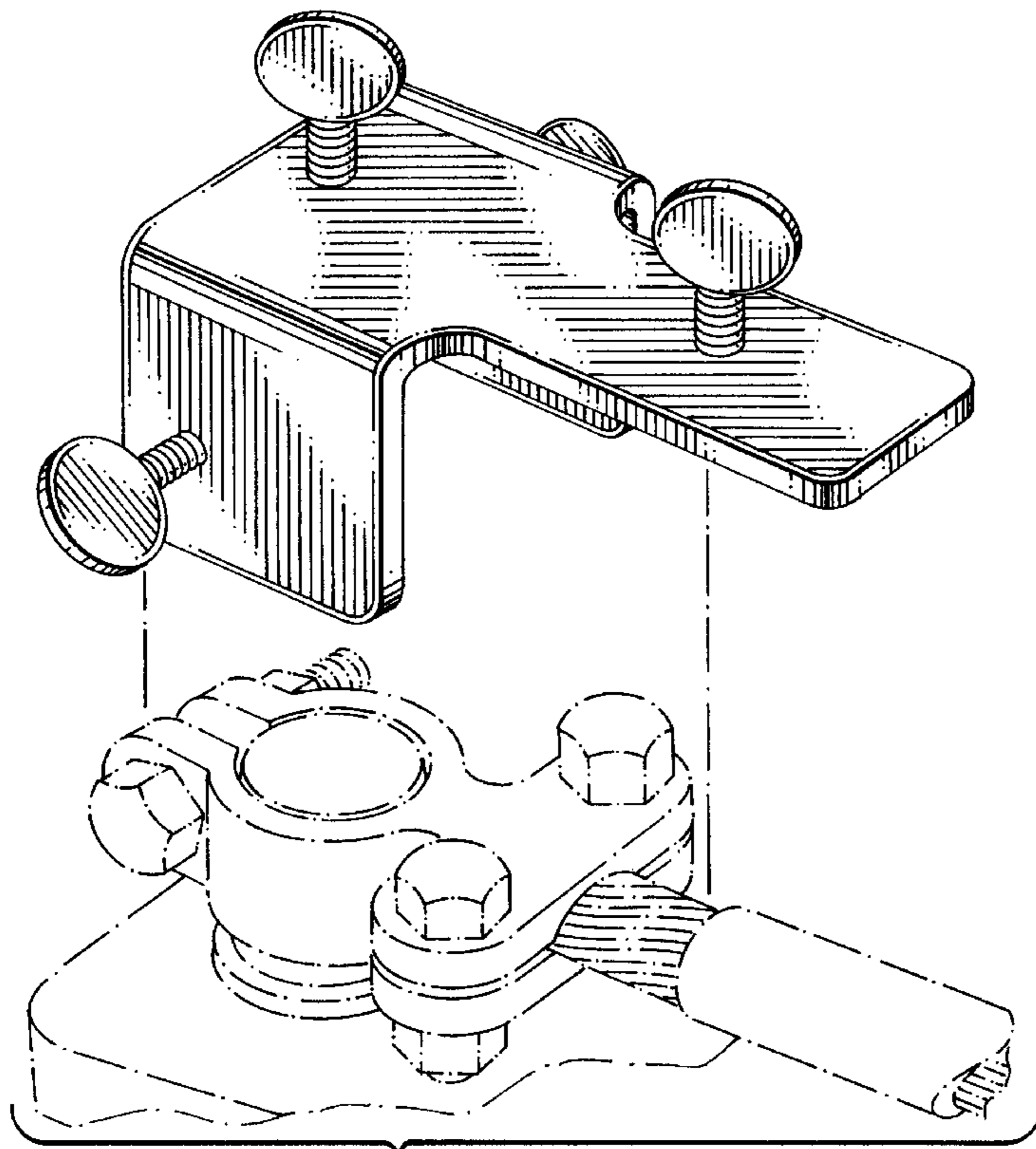


FIG. 1

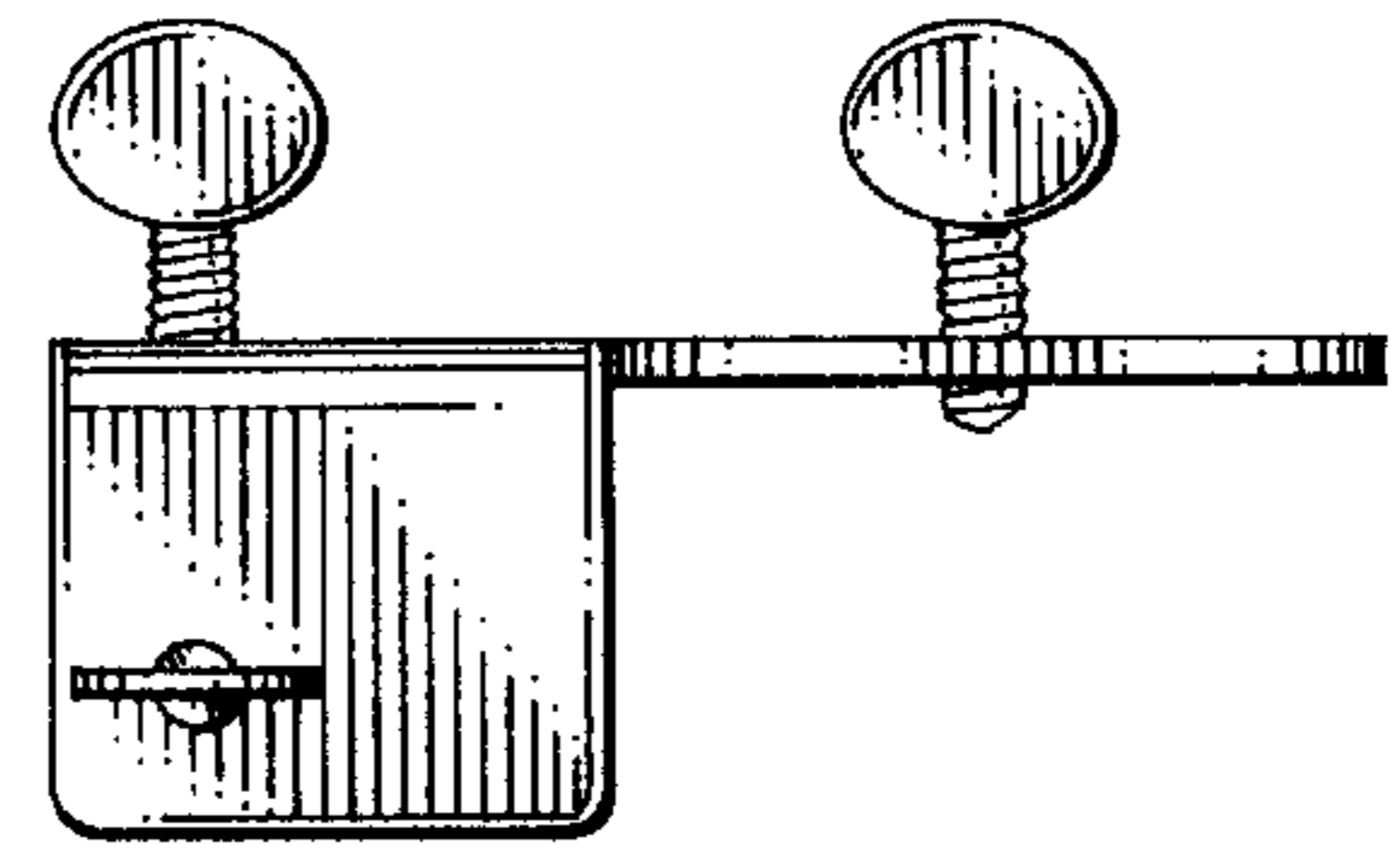


FIG. 3

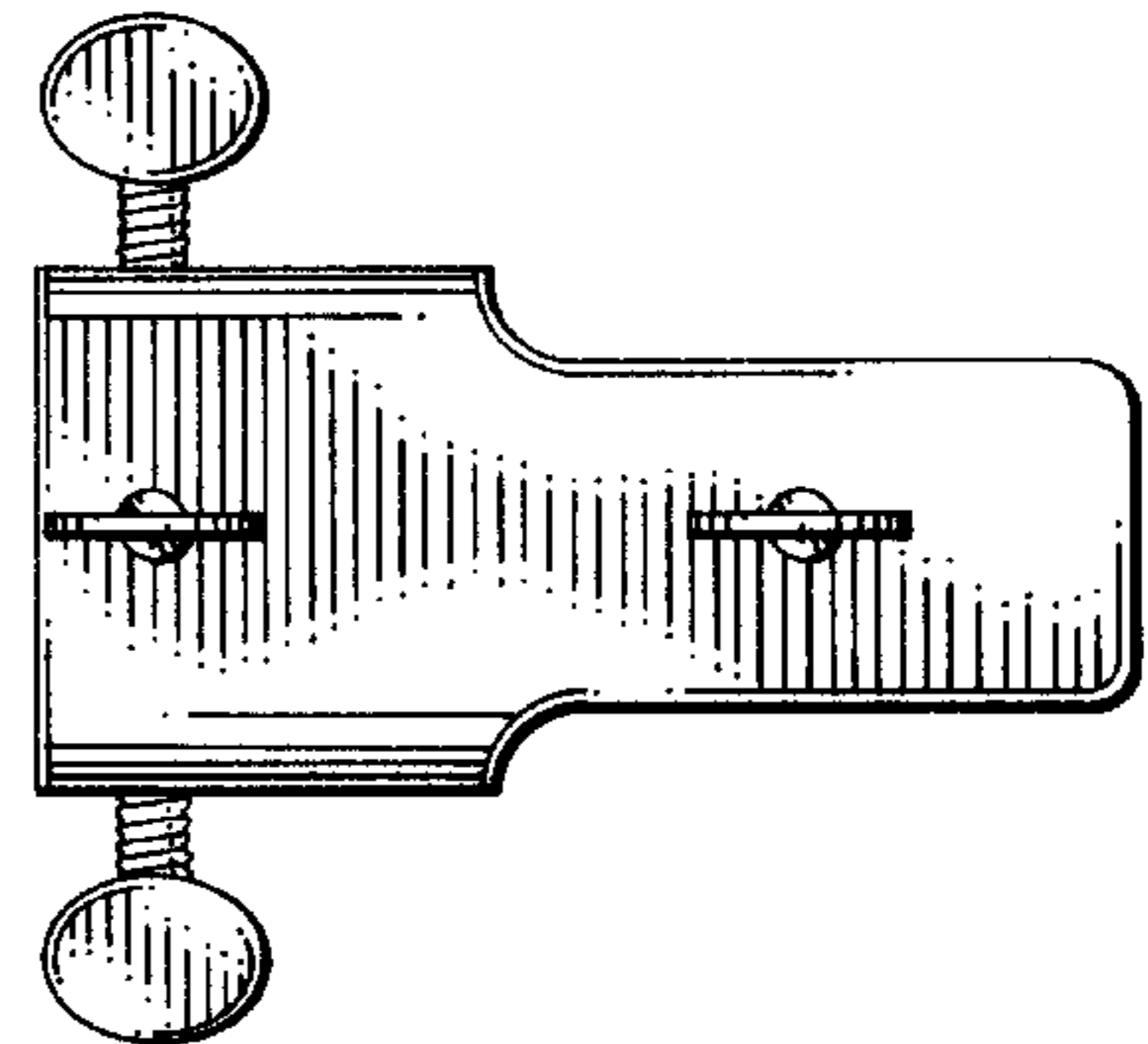


FIG. 4

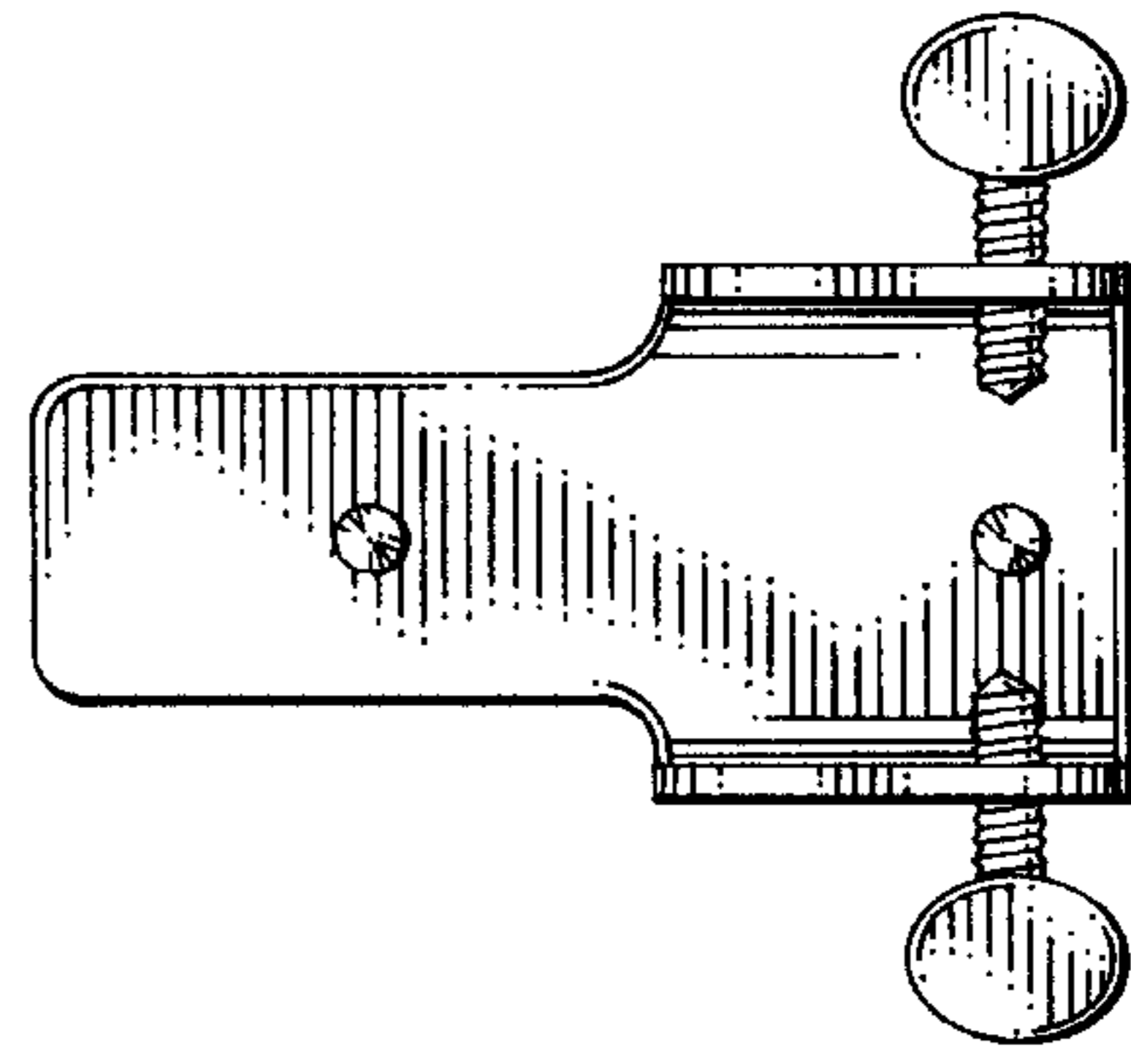


FIG. 5

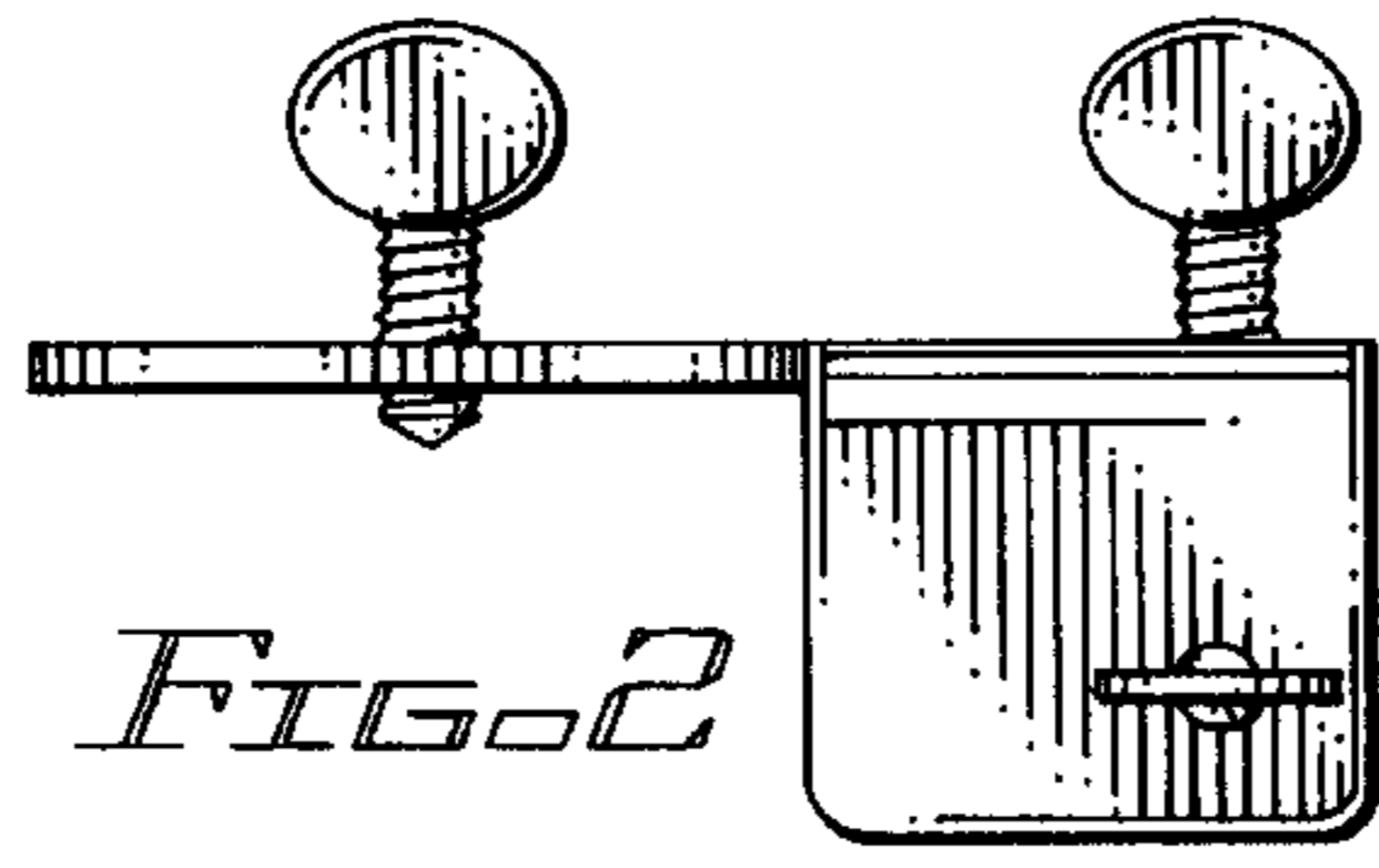


FIG. 2

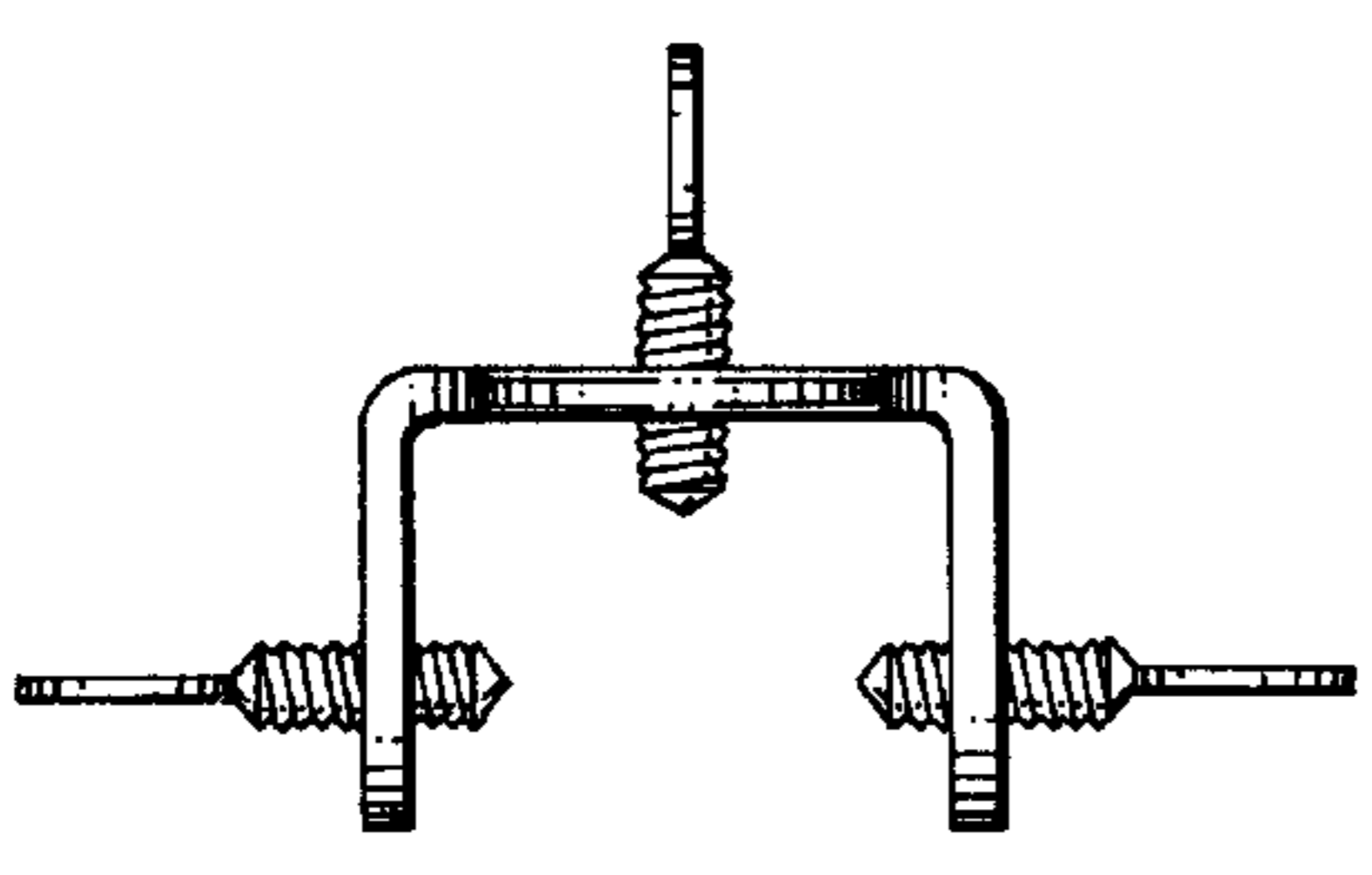


FIG. 6

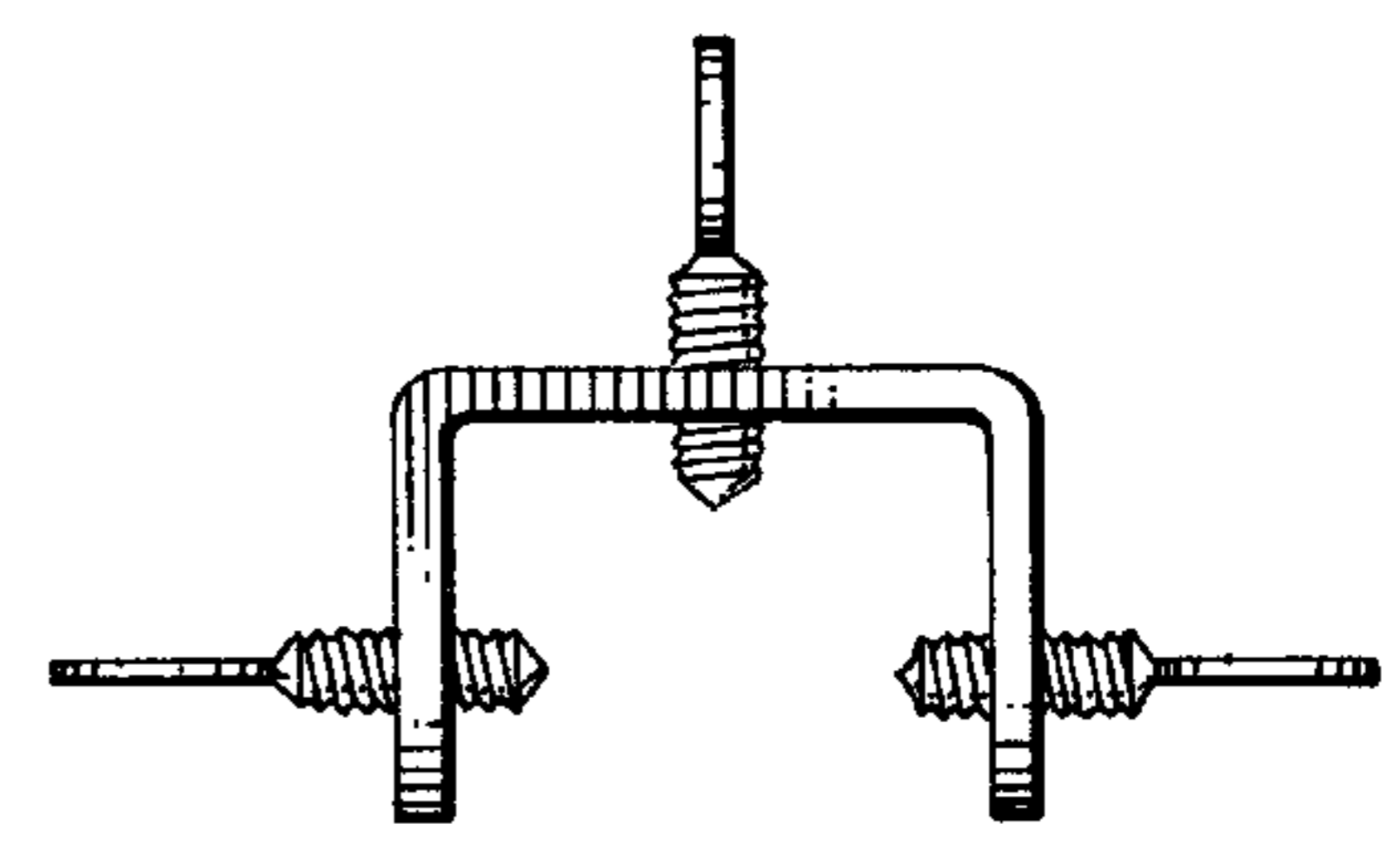


FIG. 7