



US00D404026S

United States Patent [19]

Hasegawa

[11] Patent Number: **Des. 404,026**

[45] Date of Patent: ****Jan. 12, 1999**

[54] **IMAGE DISPLAY APPARATUS**

[75] Inventor: **Masato Hasegawa**, Kawasaki, Japan

[73] Assignee: **Canon Kabushiki Kaisha**, Tokyo, Japan

[**] Term: **14 Years**

[21] Appl. No.: **80,708**

[22] Filed: **Dec. 15, 1997**

[30] Foreign Application Priority Data

Jun. 17, 1997 [JP] Japan 9-58221

[51] **LOC (6) Cl.** **14-02**

[52] **U.S. Cl.** **D14/113; D14/126**

[58] **Field of Search** D14/100, 101, D14/106, 113, 124-129; 248/917-924; 345/104, 133, 156, 168, 87, 173, 901-905; 348/180, 184, 325, 739

[56] References Cited

U.S. PATENT DOCUMENTS

D. 356,078 3/1995 Usui et al. D14/113 X

D. 359,035 6/1995 Shinano D14/113
D. 376,588 12/1996 Shinano D14/113

Primary Examiner—Freda Nunn
Attorney, Agent, or Firm—Fitzpatrick, Cella, Harper & Scinto

[57] CLAIM

The ornamental design for an image display apparatus, as shown and described.

DESCRIPTION

FIG. 1 is a front view of an image display apparatus showing my new design;
FIG. 2 is a rear view thereof;
FIG. 3 is a top plan view thereof;
FIG. 4 is a bottom plan view thereof;
FIG. 5 is a left side view thereof;
FIG. 6 is a right side view thereof; and,
FIG. 7 is a perspective view thereof.

1 Claim, 5 Drawing Sheets

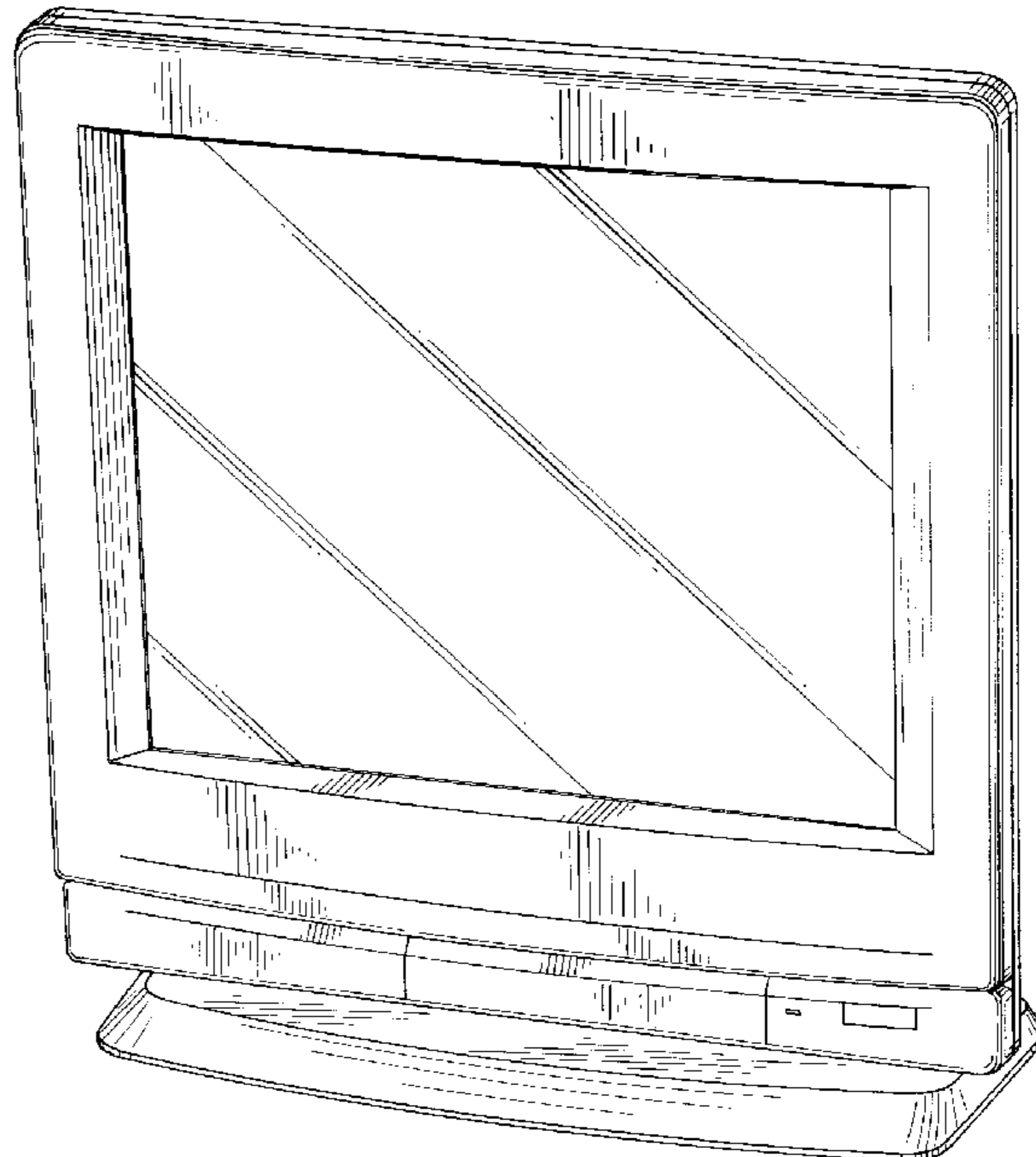
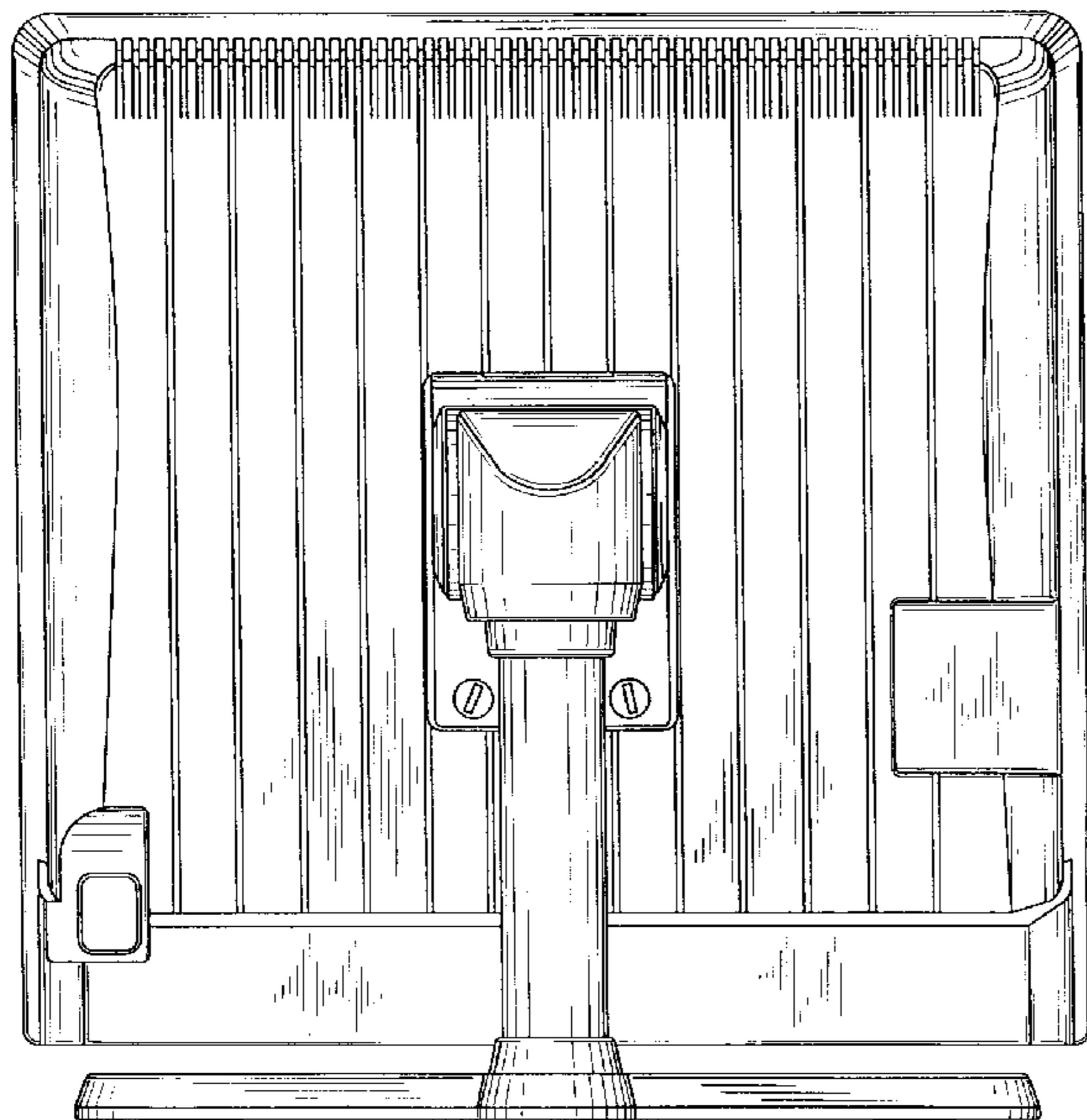


FIG. 1

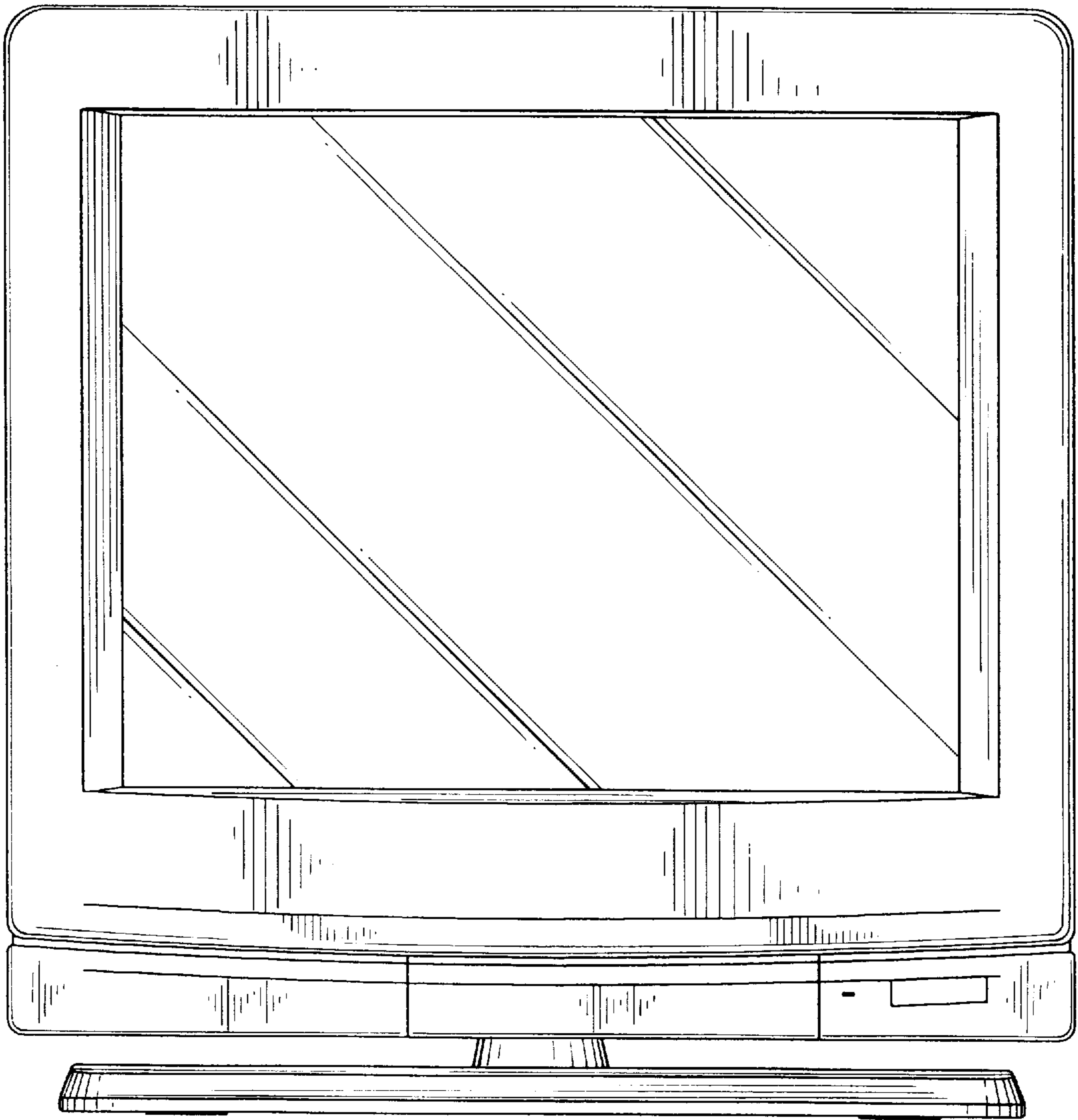


FIG. 2

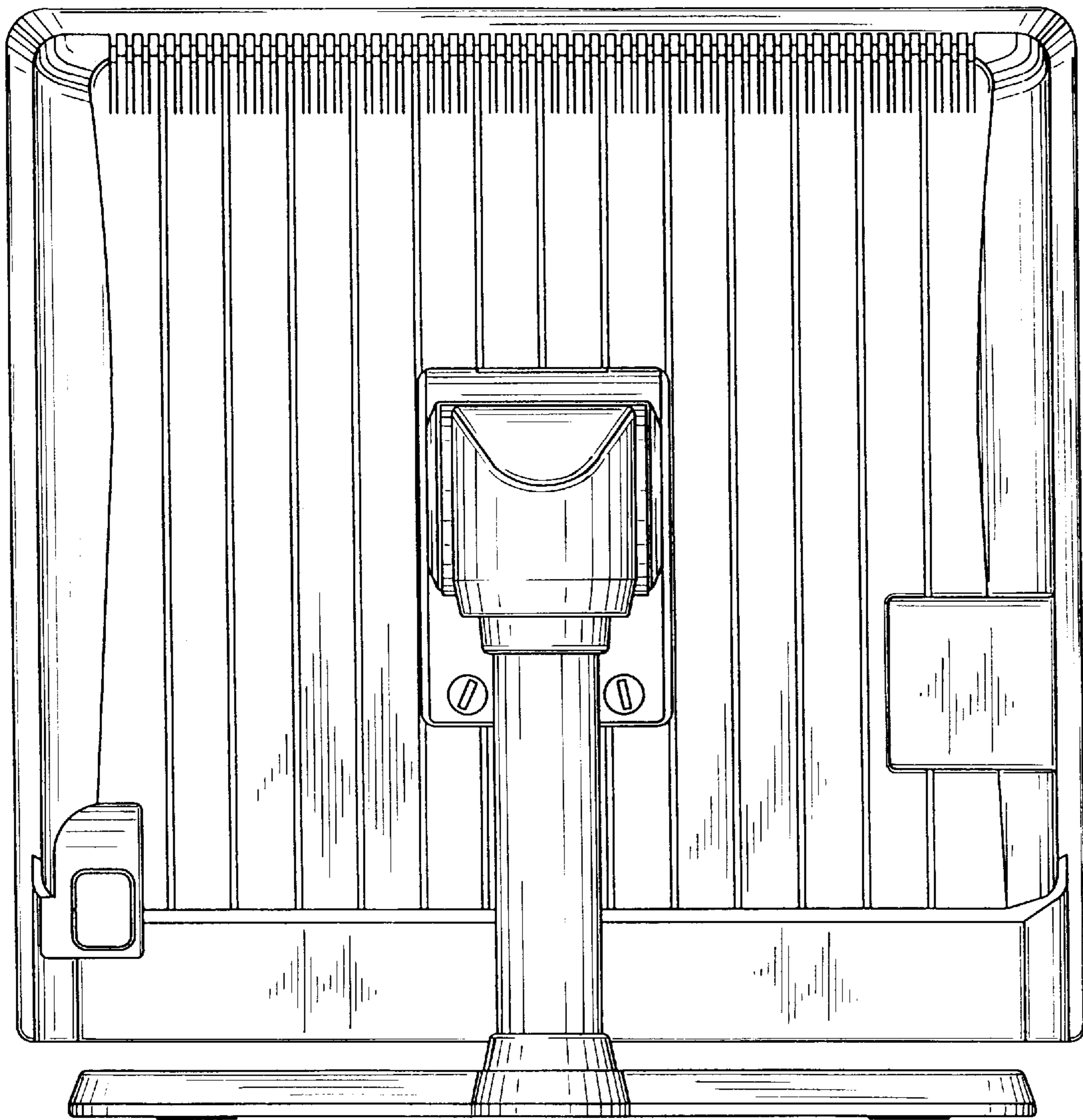


FIG. 3

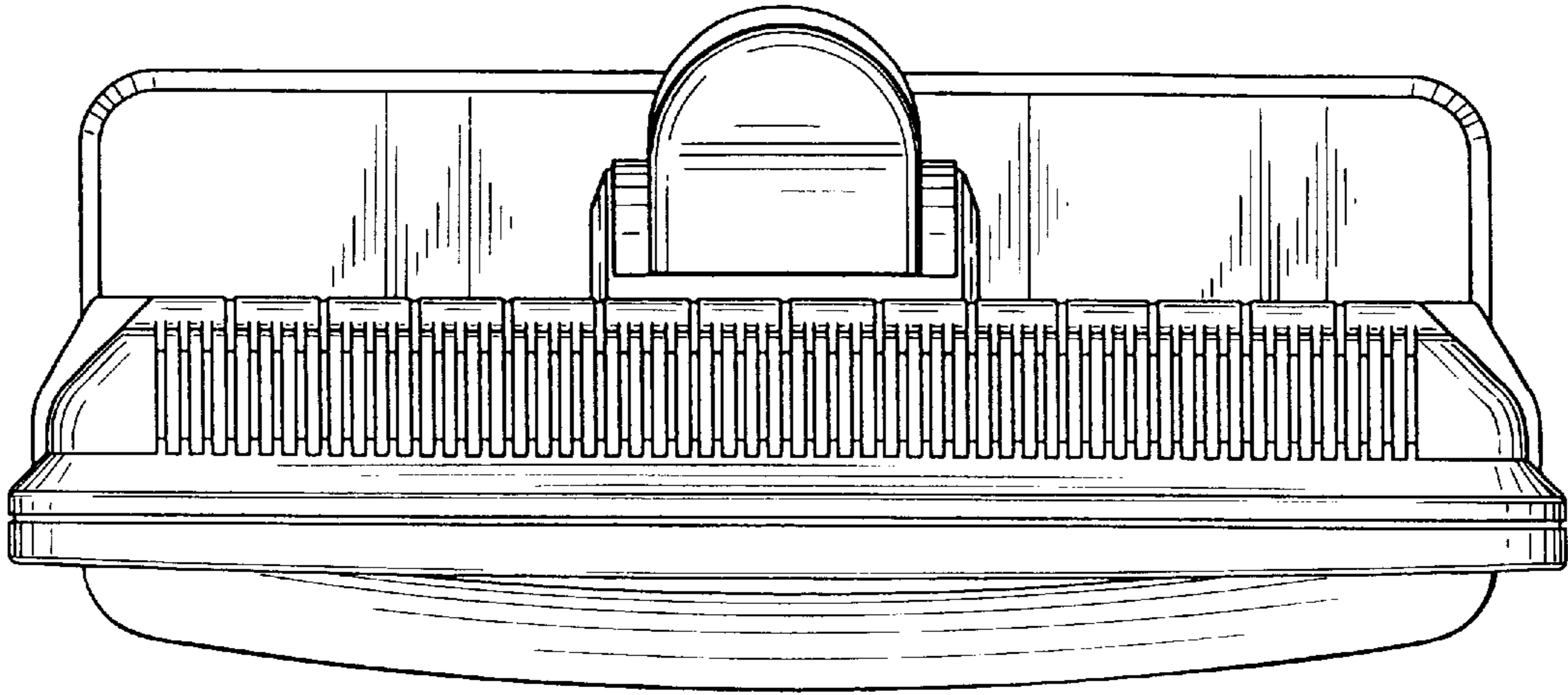


FIG. 4

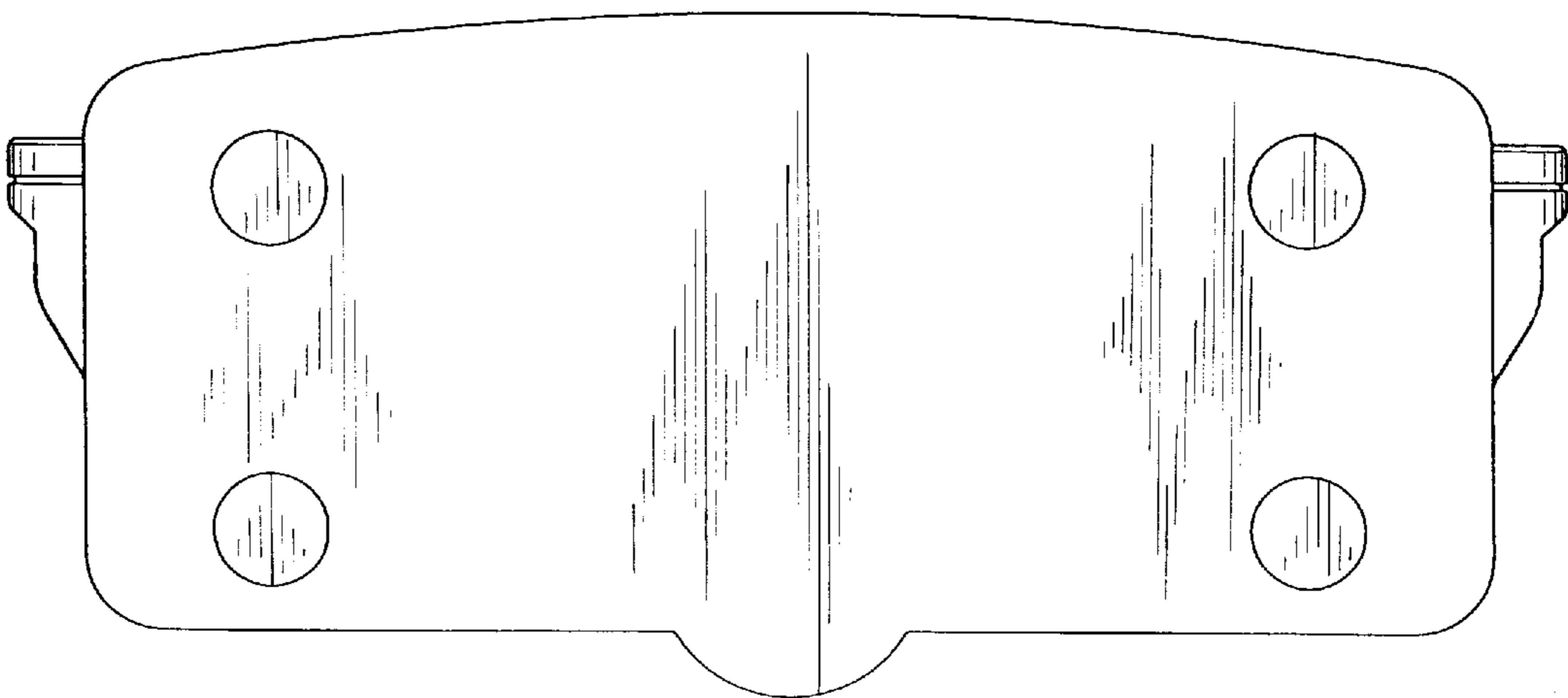


FIG. 5

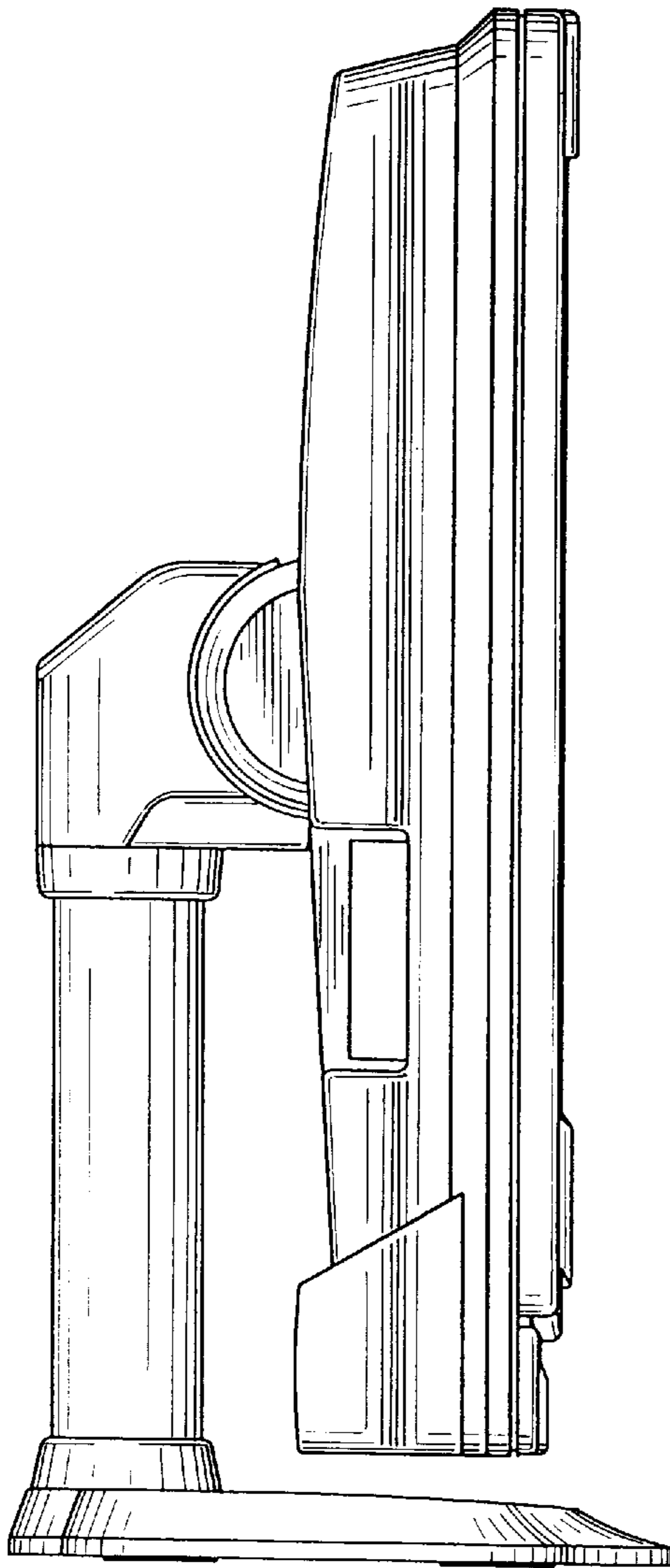


FIG. 6

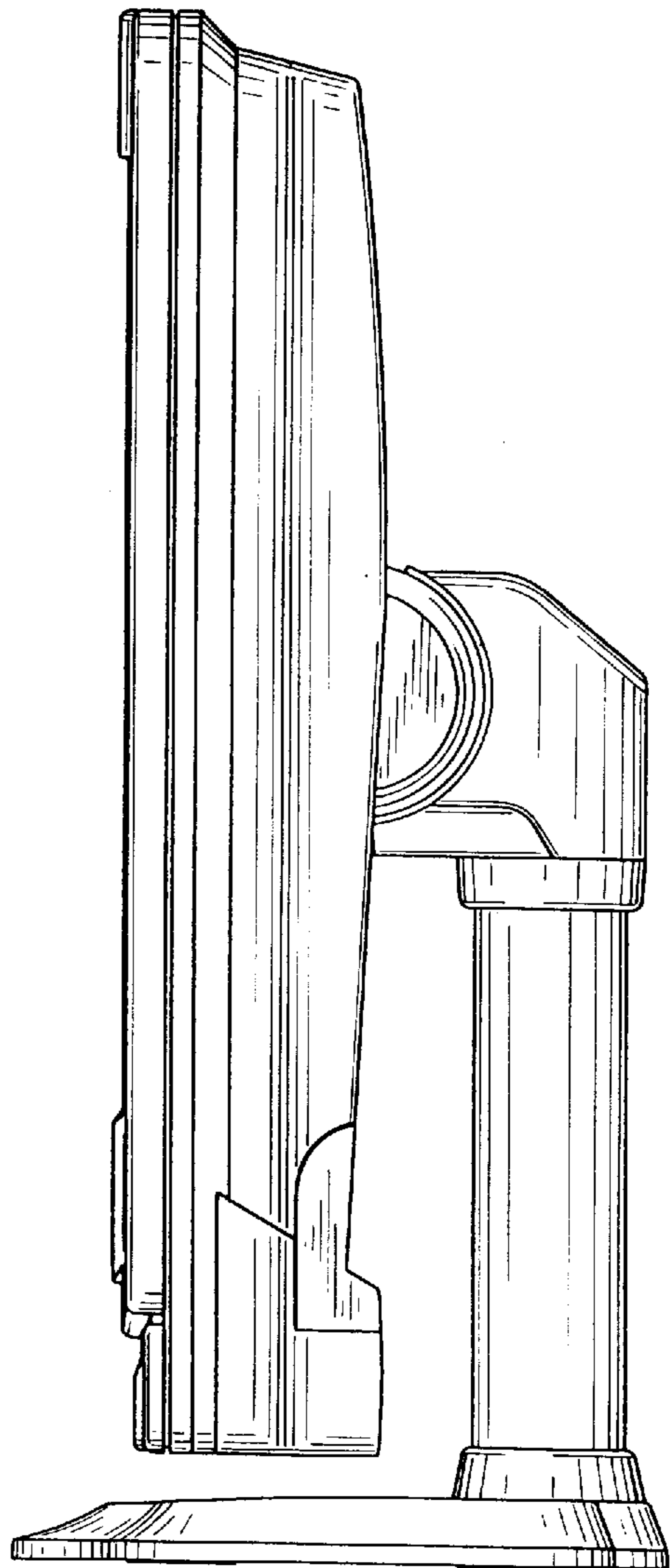


FIG. 7

