

US00D404023S

# United States Patent [19]

Murphy et al.

[11] Patent Number: Des. 404,023

[45] Date of Patent: \*\*Jan. 12, 1999

[54] DATA PROCESSING SYSTEM

[75] Inventors: **Tim Kerry Murphy; Roland Zapfe**, both of Rochester, Minn.

[73] Assignee: **International Business Machines Corporation**, Armonk, N.Y.

[\*\*] Term: **14 Years**

[21] Appl. No.: **79,909**

[22] Filed: **Nov. 24, 1997**

[51] LOC (6) Cl. .... **14-02**

[52] U.S. Cl. .... **D14/100**

[58] Field of Search ..... D14/100, 102, D14/107-109; D13/162, 184, 199; D6/432, 436, 445, 448; 312/208.1; 360/97.01, 97.04, 99.01, 99.12; 361/694, 696, 683, 685

[56] **References Cited**

**U.S. PATENT DOCUMENTS**

|            |        |                  |         |
|------------|--------|------------------|---------|
| D. 360,405 | 7/1995 | Hill et al. .... | D14/100 |
| D. 366,249 | 1/1996 | Hill et al. .... | D14/100 |
| D. 366,462 | 1/1996 | Hill et al. .... | D14/100 |
| D. 380,741 | 7/1997 | Hill et al. .... | D14/107 |

Primary Examiner—Freda Nunn  
Attorney, Agent, or Firm—Matthew J. Bussan

[57] **CLAIM**

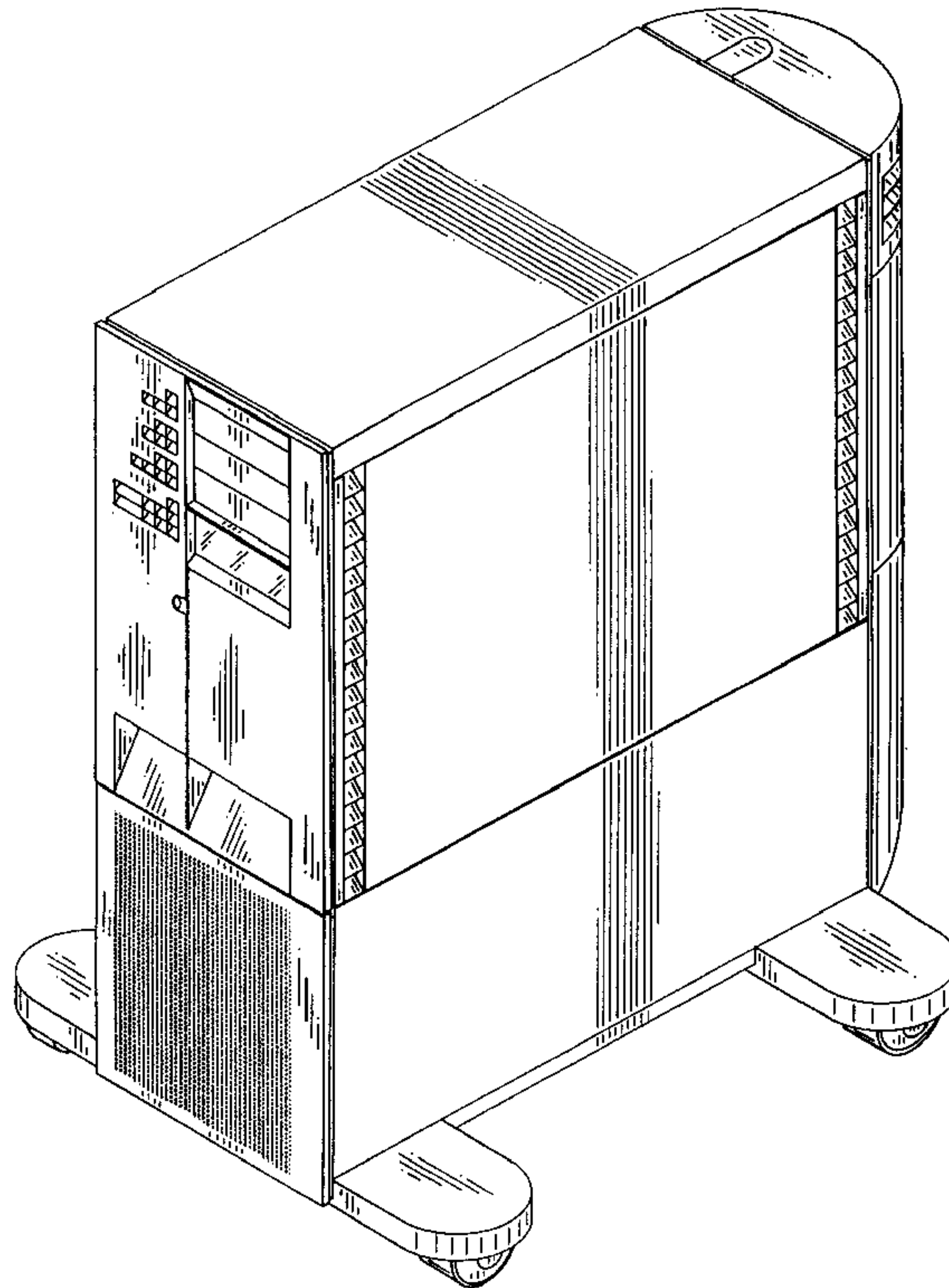
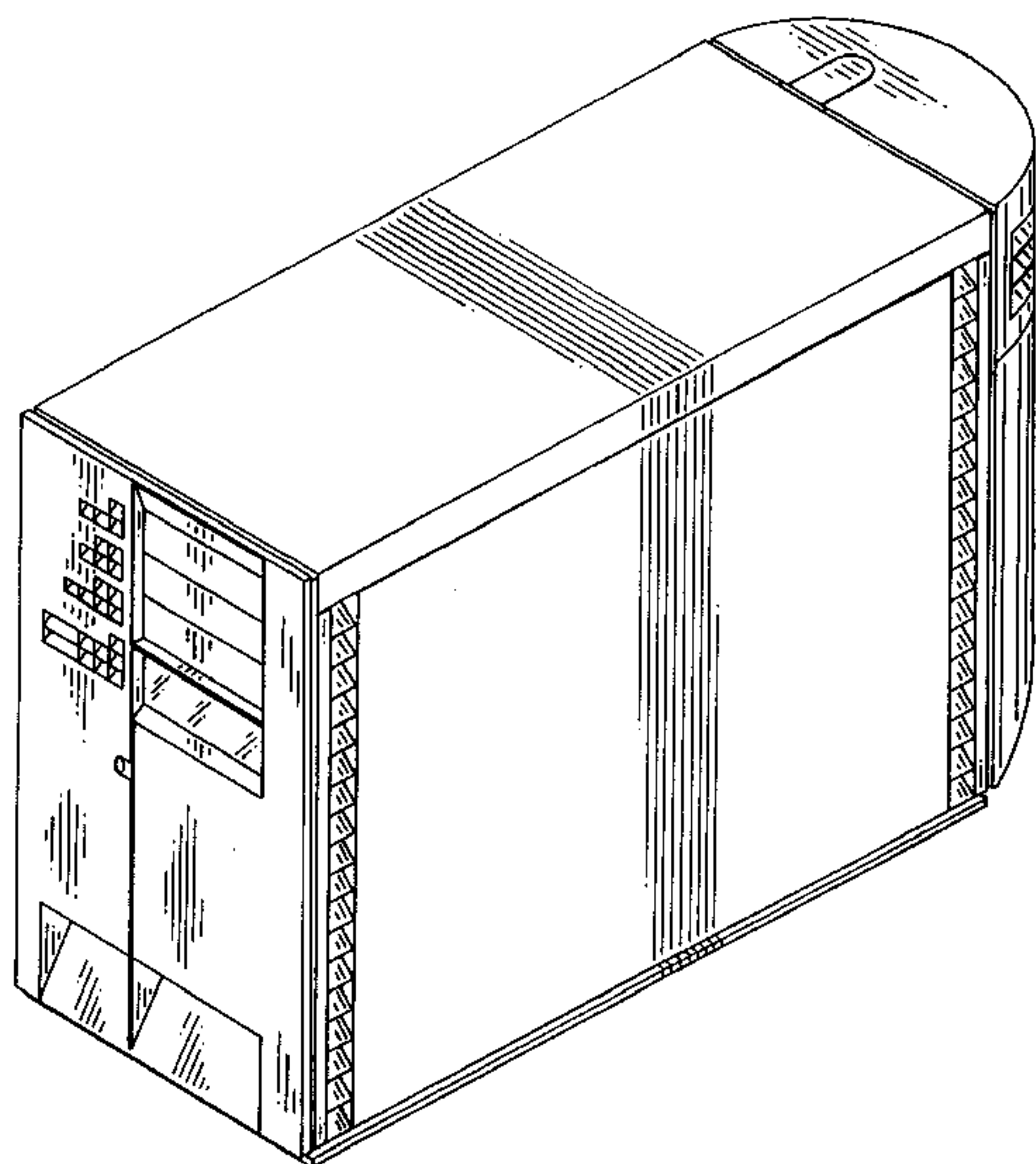
The ornamental design for a data processing system, as shown and described.

**DESCRIPTION**

FIG. 1 is a top, front, right side isometric view of a data processing system, showing our new design;  
 FIG. 2 is a top, back, left side isometric view thereof;  
 FIG. 3 is a front elevational view thereof;  
 FIG. 4 is a top plan view thereof;  
 FIG. 5 is a right side elevational view thereof, the left side being identical;  
 FIG. 6 is a rear elevational view thereof;  
 FIG. 7 is a top, front, right side isometric view of a data processing system, showing another embodiment of our new design;  
 FIG. 8 is a top, back, left side isometric view thereof;  
 FIG. 9 is a front elevational view thereof;  
 FIG. 10 is a top plan view thereof;  
 FIG. 11 is a right side elevational view thereof, the left side being identical; and,  
 FIG. 12 is a rear elevational view thereof.

The bottom view of both embodiments of the data processing system are unornamented except for the inclusion of casters in the second embodiment. The two embodiments are identical in all respects except for the lower portion.

**1 Claim, 12 Drawing Sheets**



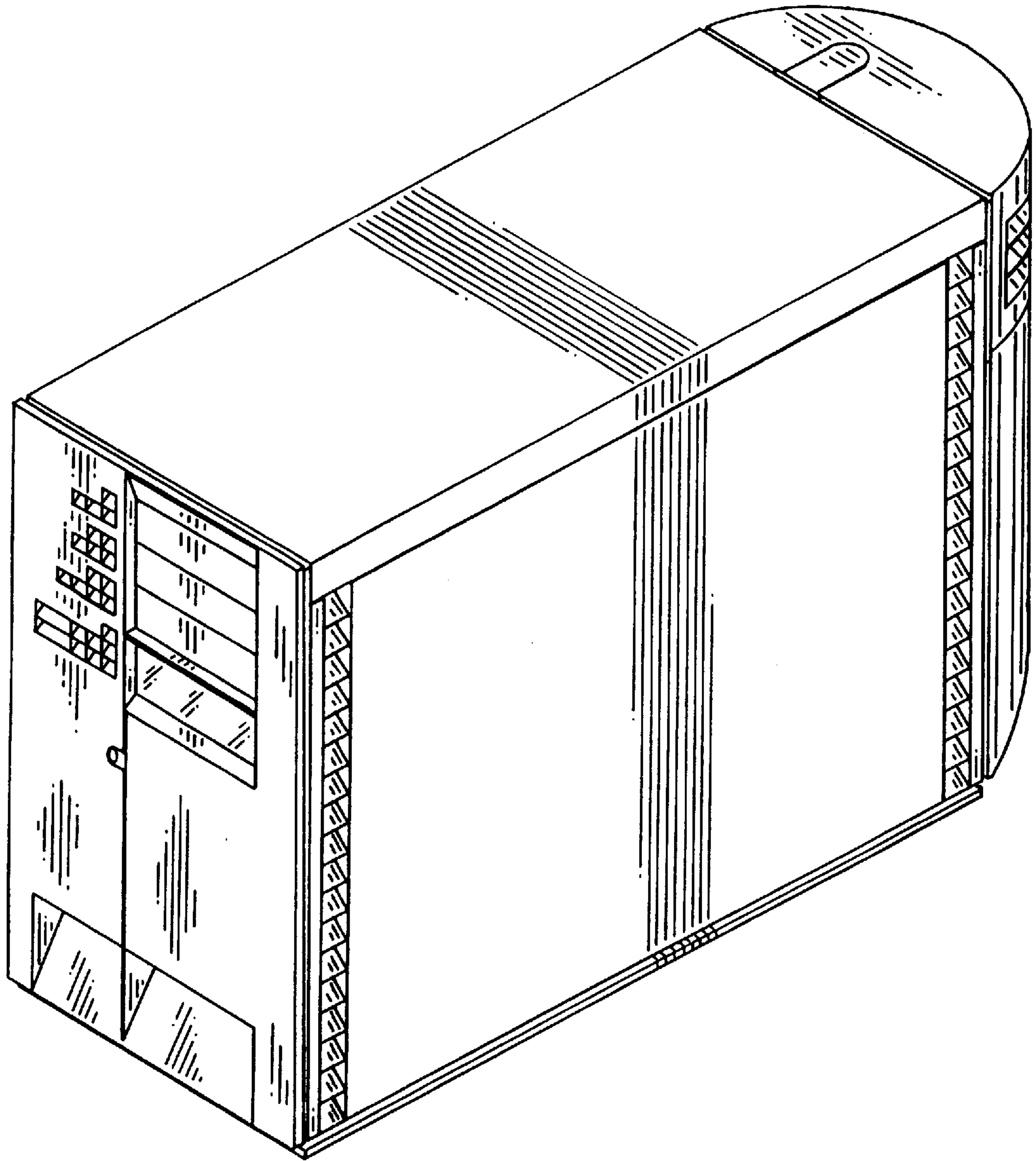


FIG. 1

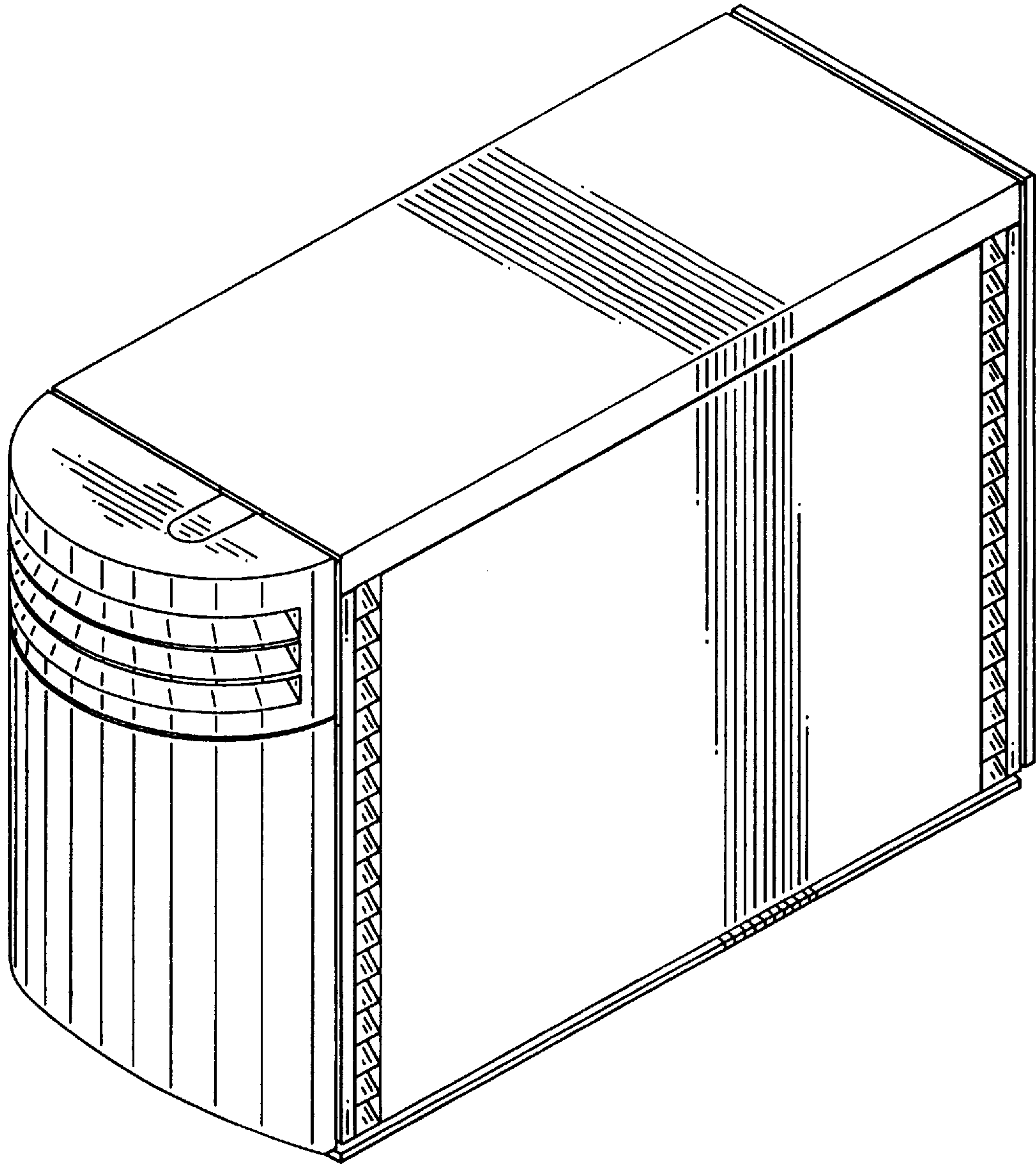


FIG. 2

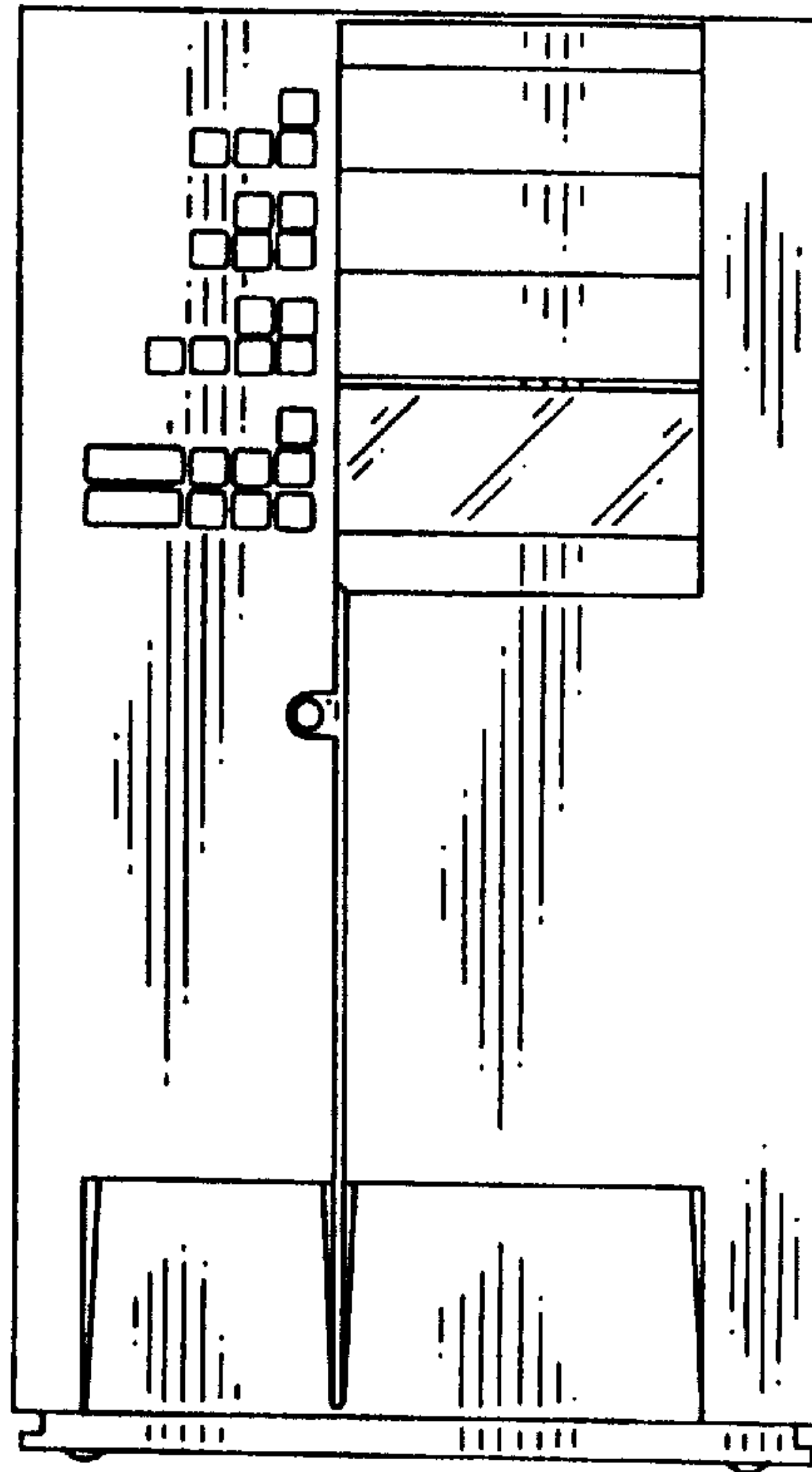


FIG. 3

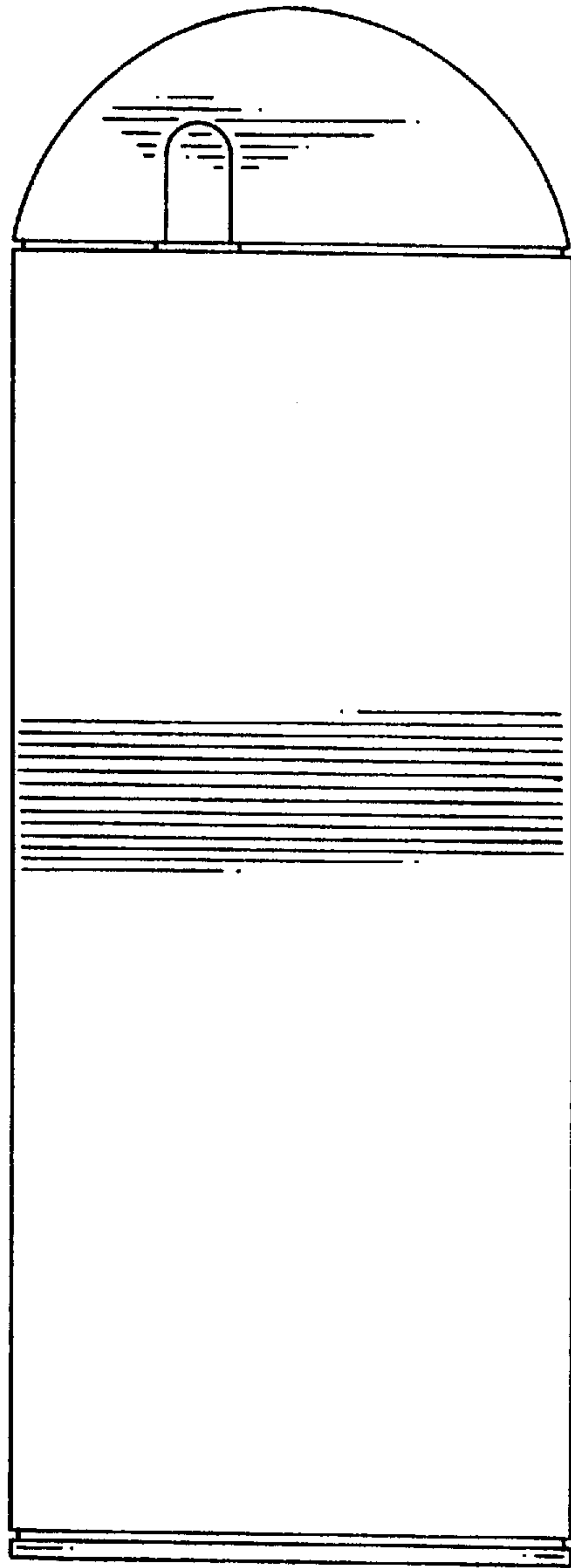


FIG. 4



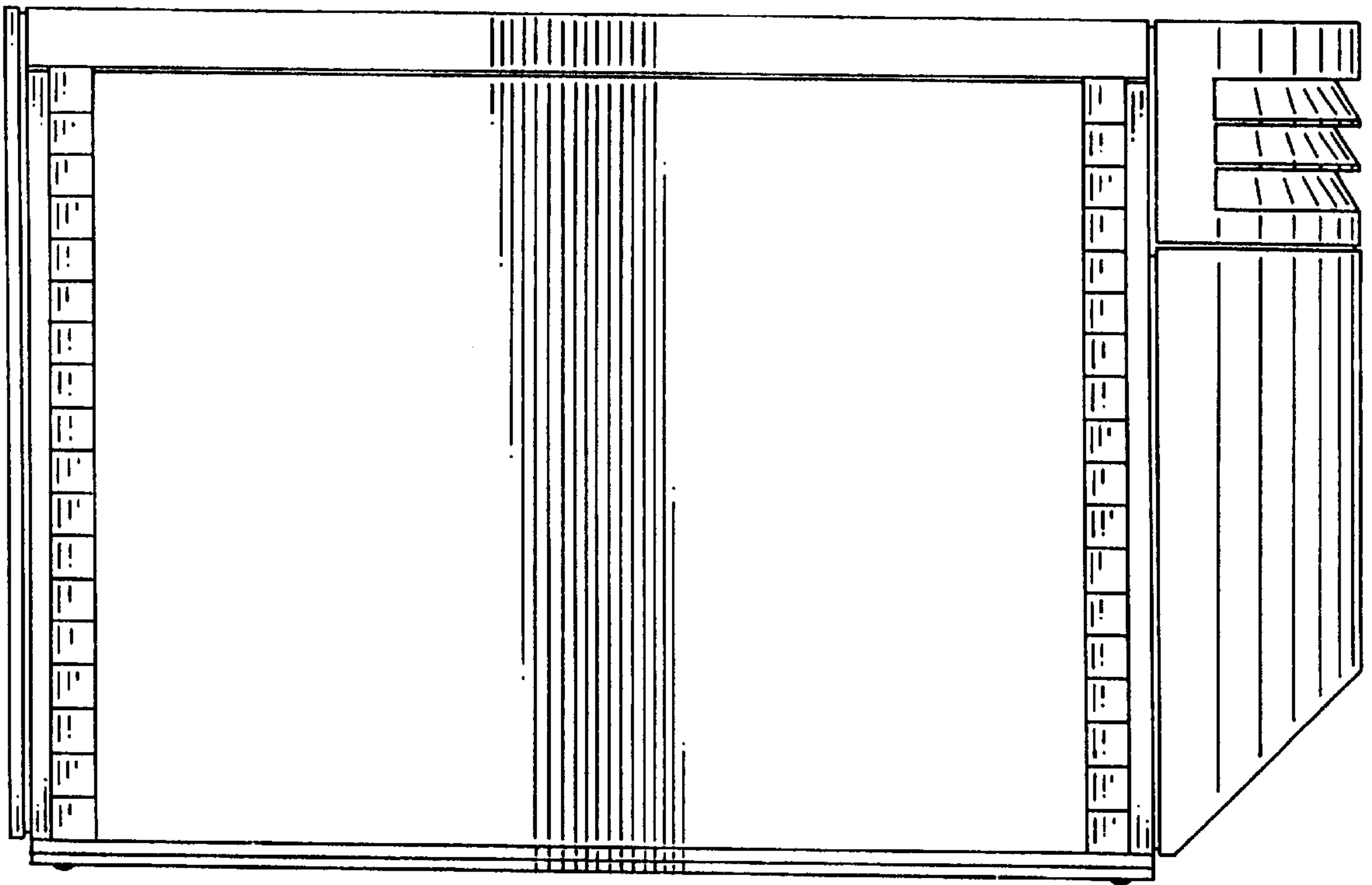


FIG. 5

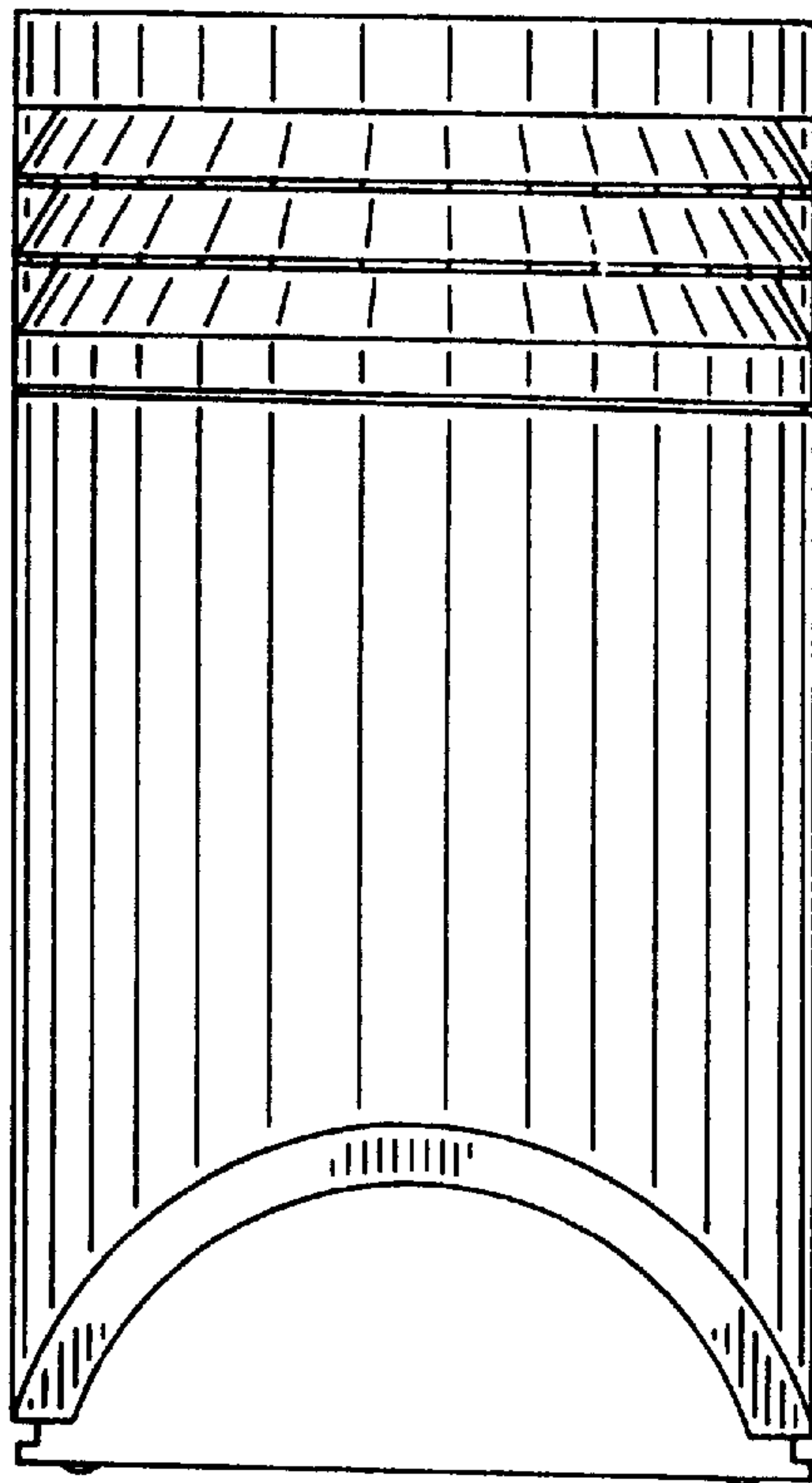


FIG. 6

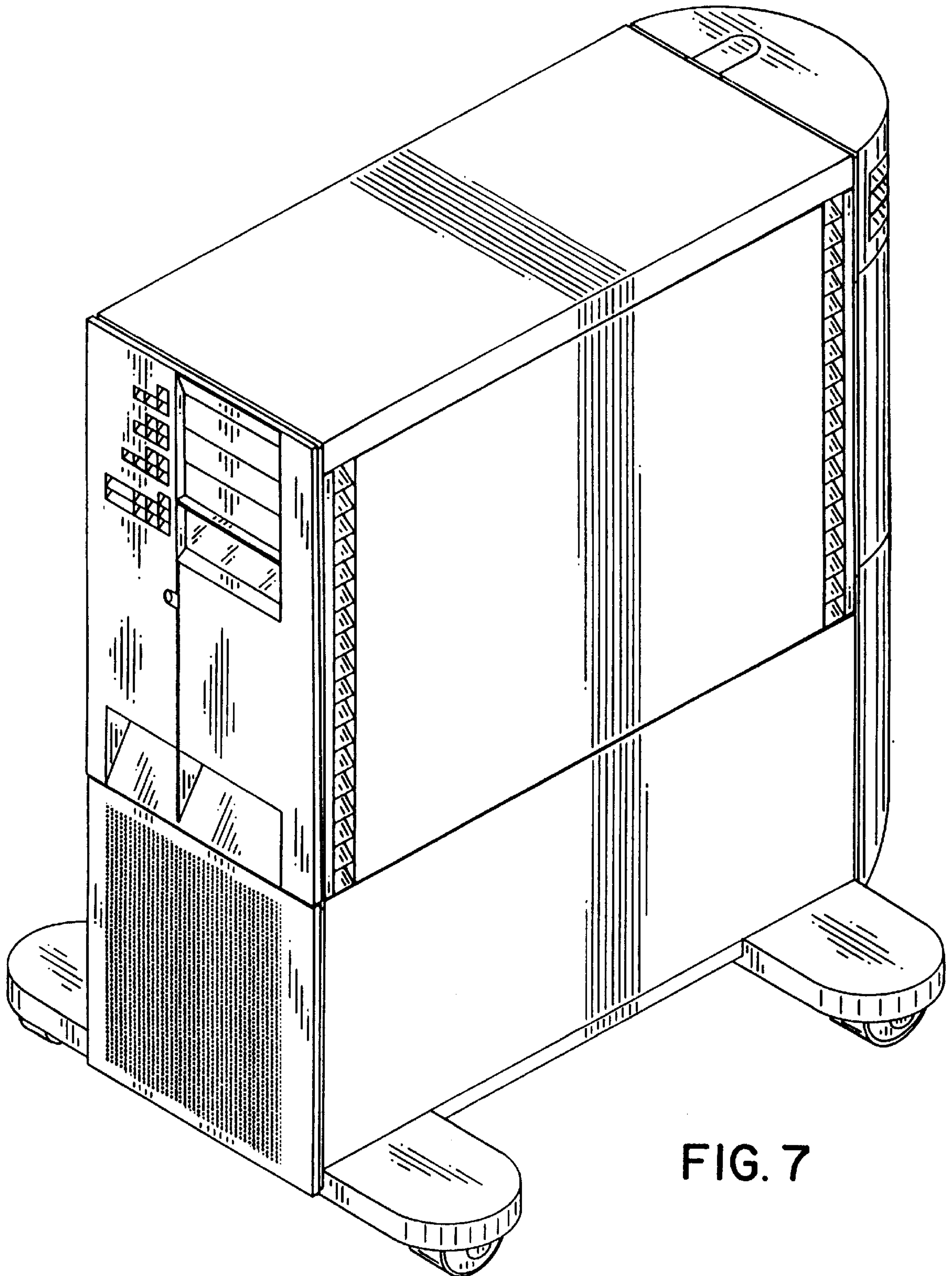


FIG. 7



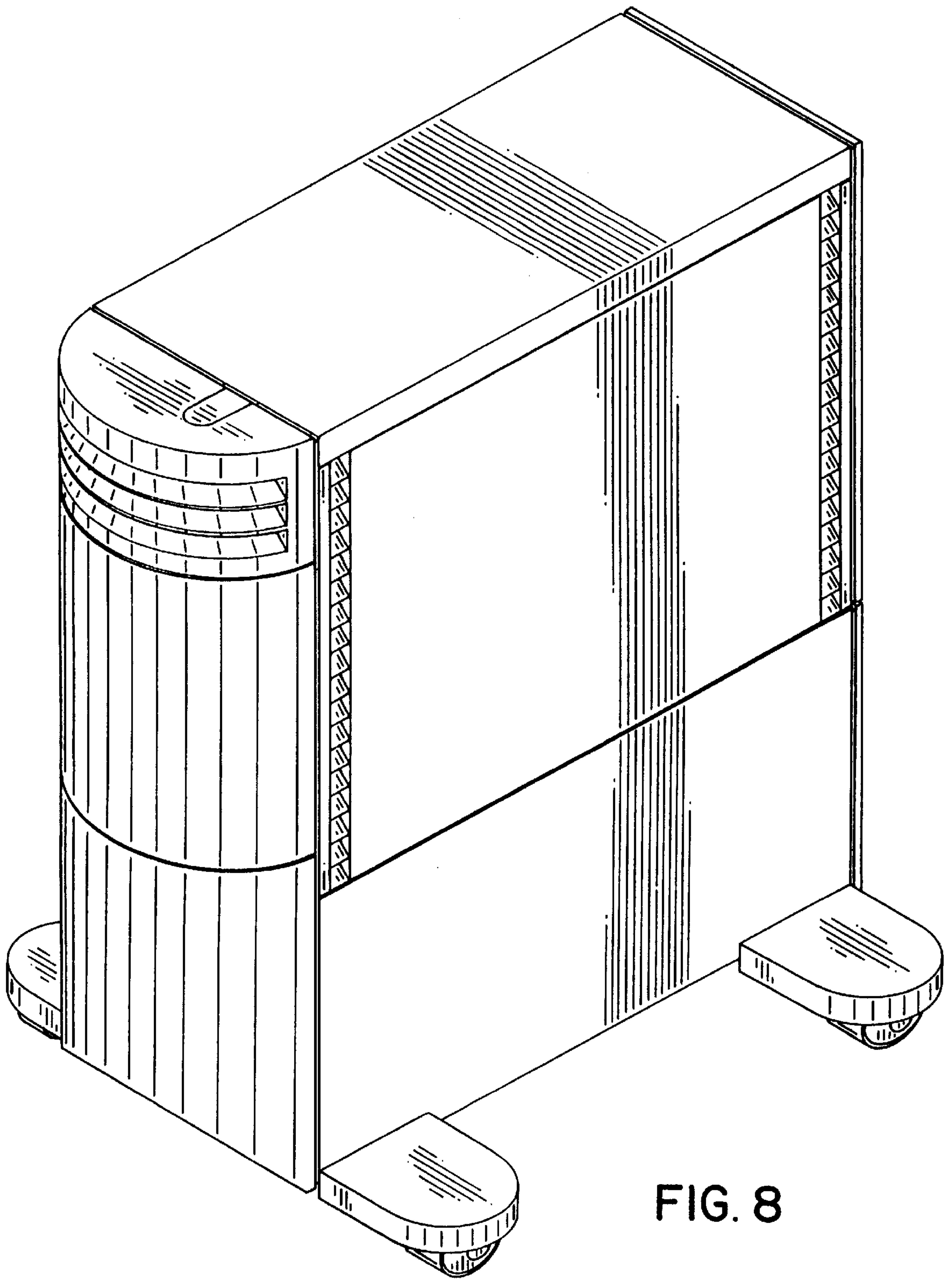


FIG. 8

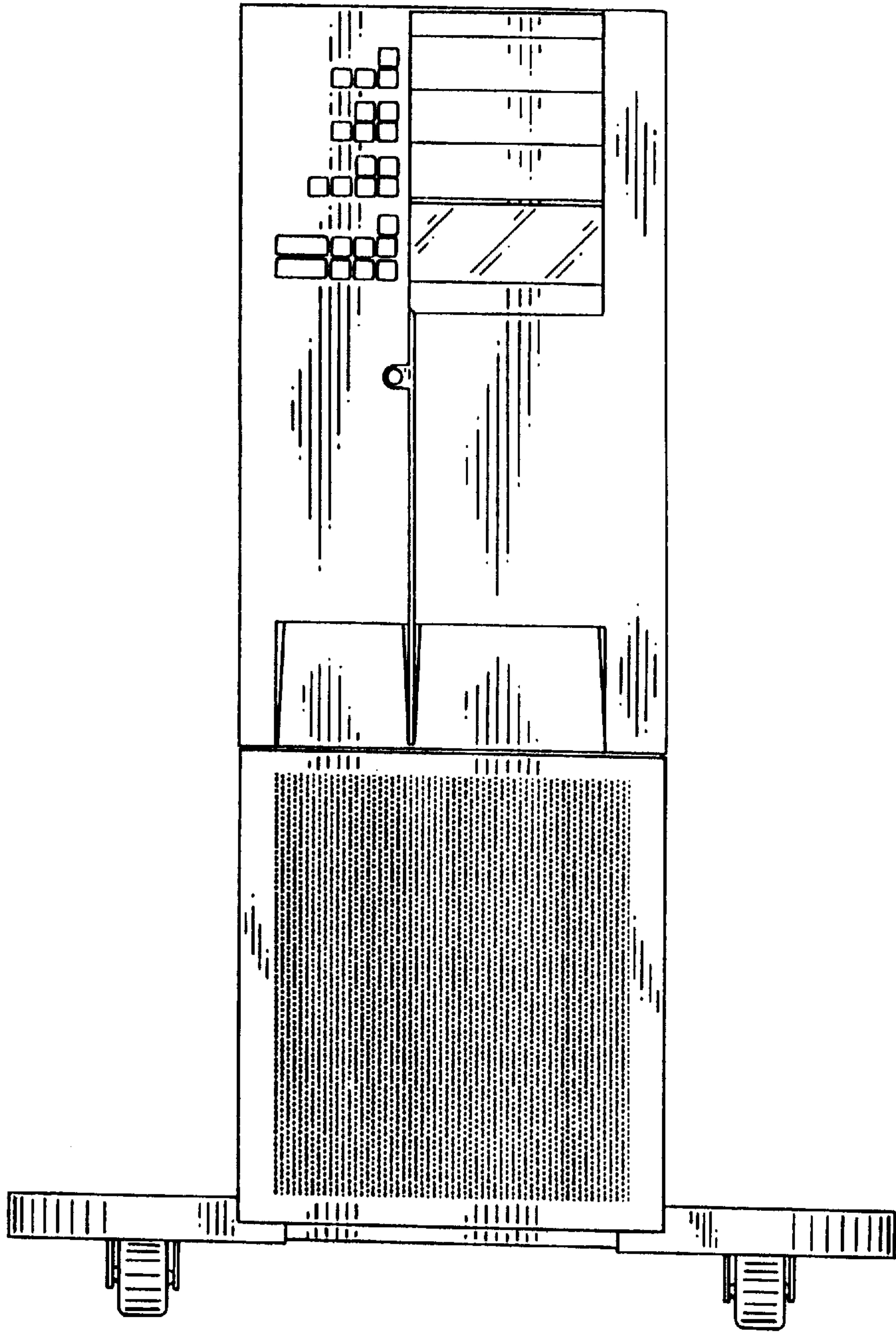


FIG. 9

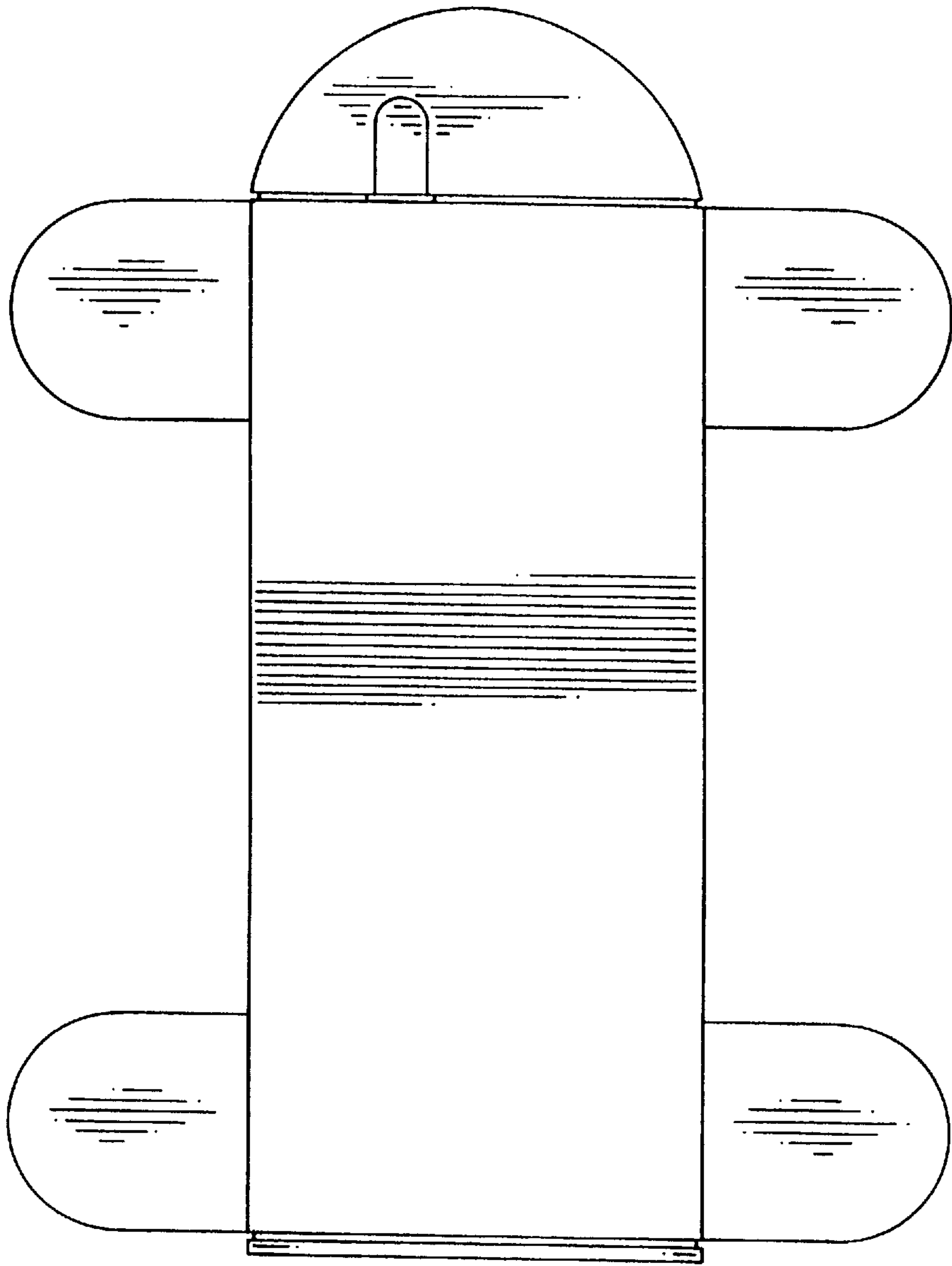


FIG. 10

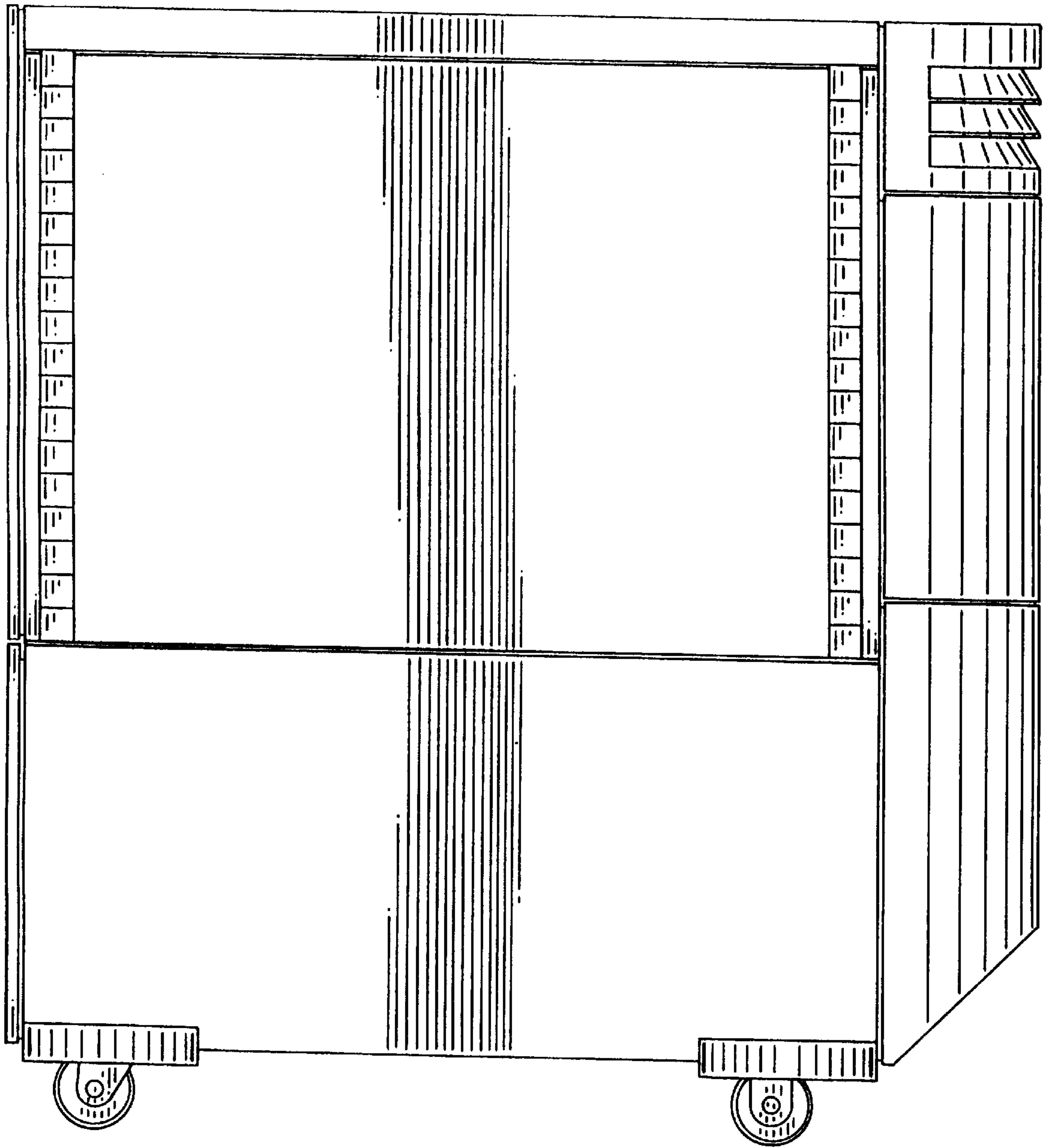


FIG. II

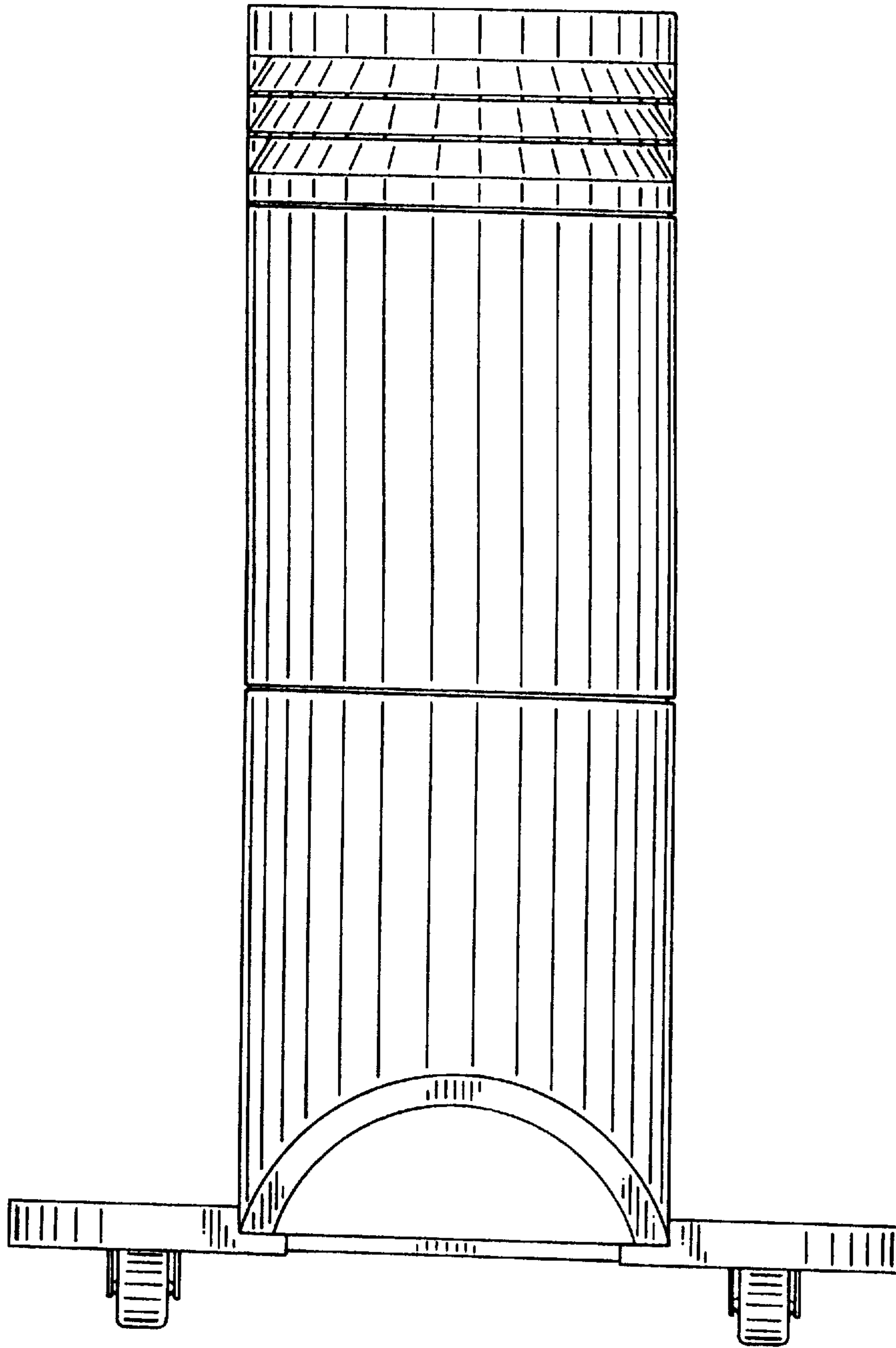


FIG. 12