



US00D404018S

United States Patent [19]

Tucker et al.

[11] **Patent Number: Des. 404,018**

[45] **Date of Patent: **Jan. 12, 1999**

[54] **HOUSING FOR ELECTRONIC COMPONENTS**

[75] Inventors: **Russell L. Tucker**, Sebastopol; **Mark S. McCall**, Santa Rosa; **Bernabe R. Lovina**, Benecia, all of Calif.

[73] Assignee: **Next Level Communications**, Rohnert Park, Calif.

[**] Term: **14 Years**

[21] Appl. No.: **71,581**

[22] Filed: **May 30, 1997**

[51] **LOC (6) Cl. 13-99**

[52] **U.S. Cl. D13/184**

[58] **Field of Search** D13/184; 385/134, 385/135, 147; 361/736, 801; 439/76.1, 676; 379/419, 420, 428, 440, 441, 442, 399, 418

[56] **References Cited**

U.S. PATENT DOCUMENTS

- D. 330,888 11/1992 Worley D13/184 X
- D. 350,533 9/1994 Grosskurth et al. D13/184

- D. 353,800 12/1994 Lewis et al. D13/184
- D. 368,068 3/1996 Alden et al. D13/184 X
- D. 389,840 1/1998 Tucker et al. D13/184 X
- D. 391,623 2/1998 Tucker et al. D13/184 X
- 4,812,004 3/1989 Biederstedt et al. 385/135
- 5,285,515 2/1994 Milanowski et al. 385/135
- 5,432,682 7/1995 Giehl 361/801 X
- 5,546,282 8/1996 Hill et al. 361/801 X

Primary Examiner—Brian N. Vinson
Attorney, Agent, or Firm—Skjerven, Morrill, MacPherson, Franklin & Friel LLP; David W. Heid

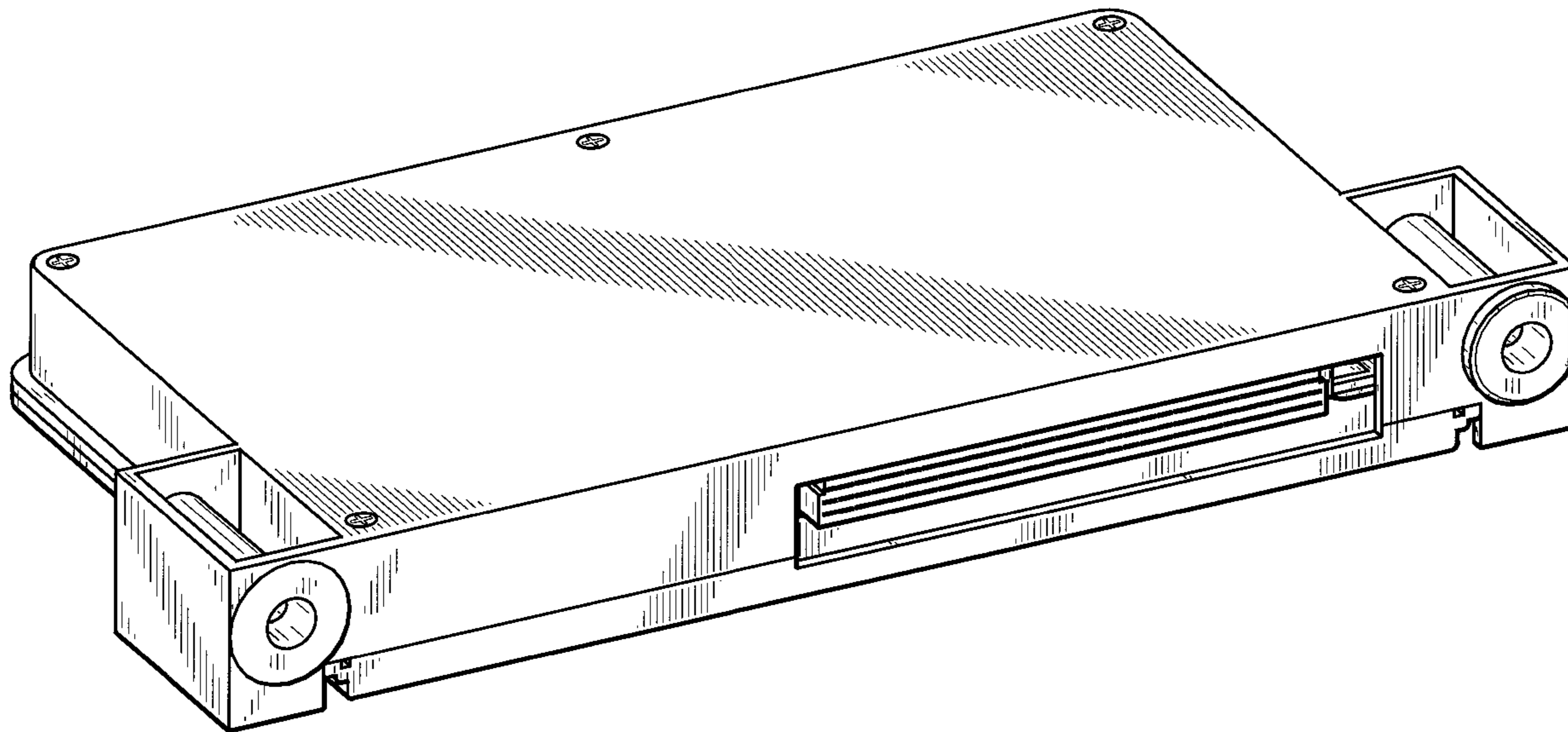
[57] **CLAIM**

The ornamental design for a housing for electronic components, as shown and described.

DESCRIPTION

FIG. 1 is a perspective front elevation view of a housing for electronic components;
FIG. 2 is a top view thereof;
FIG. 3 is a bottom view thereof;
FIG. 4 is a front elevational view thereof;
FIG. 5 is a rear elevational view thereof;
FIG. 6 is a right side view thereof; and,
FIG. 7 is a left side view thereof.

1 Claim, 5 Drawing Sheets



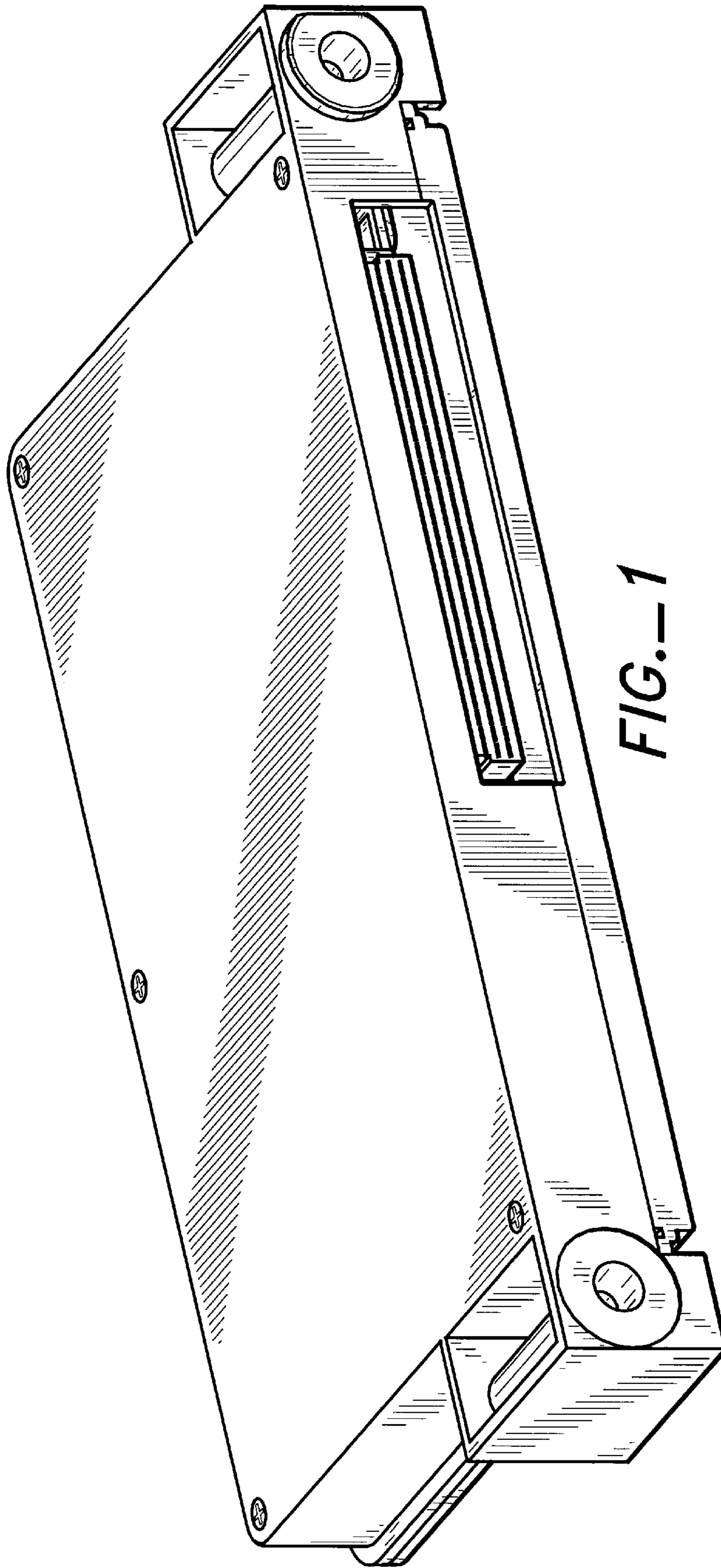
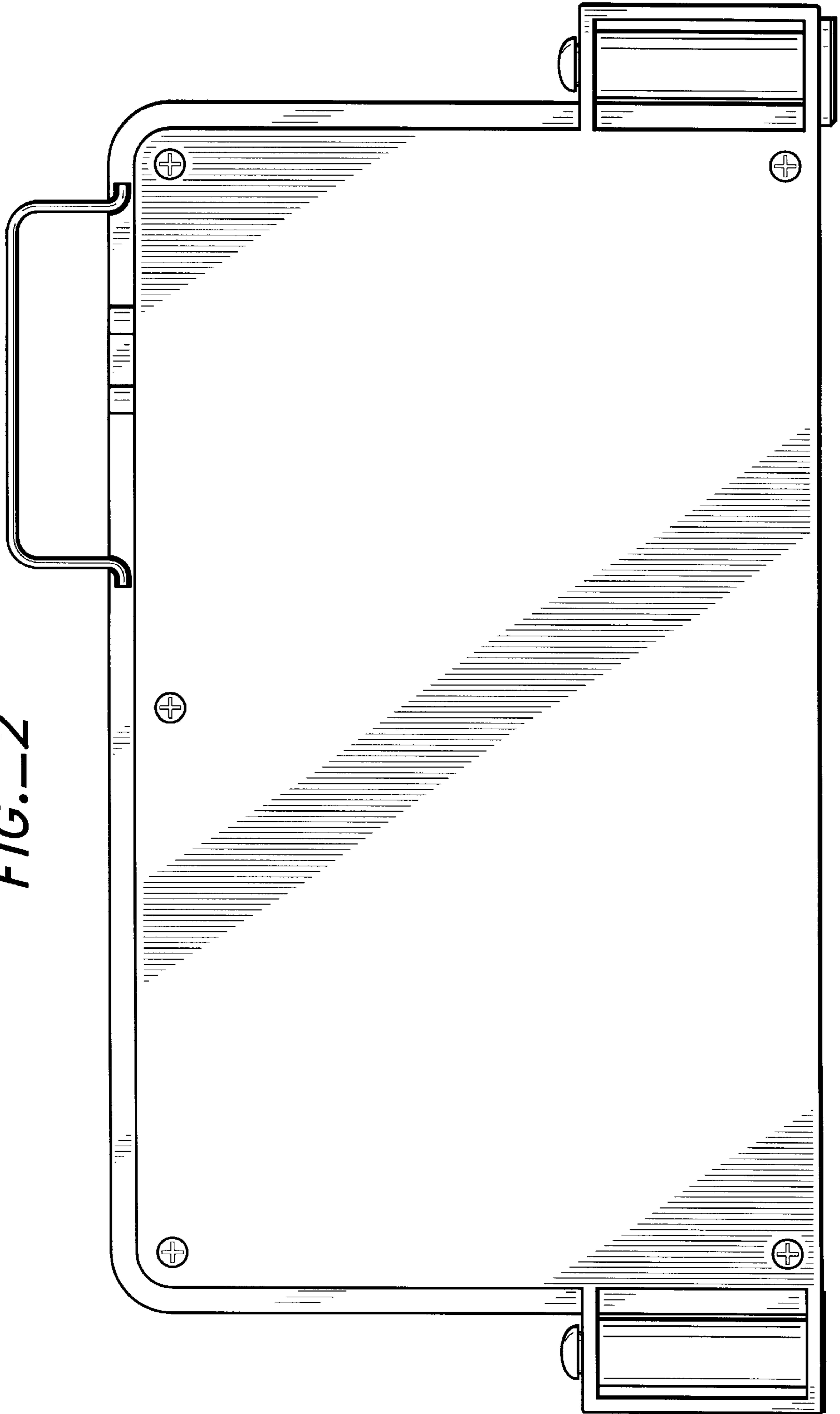
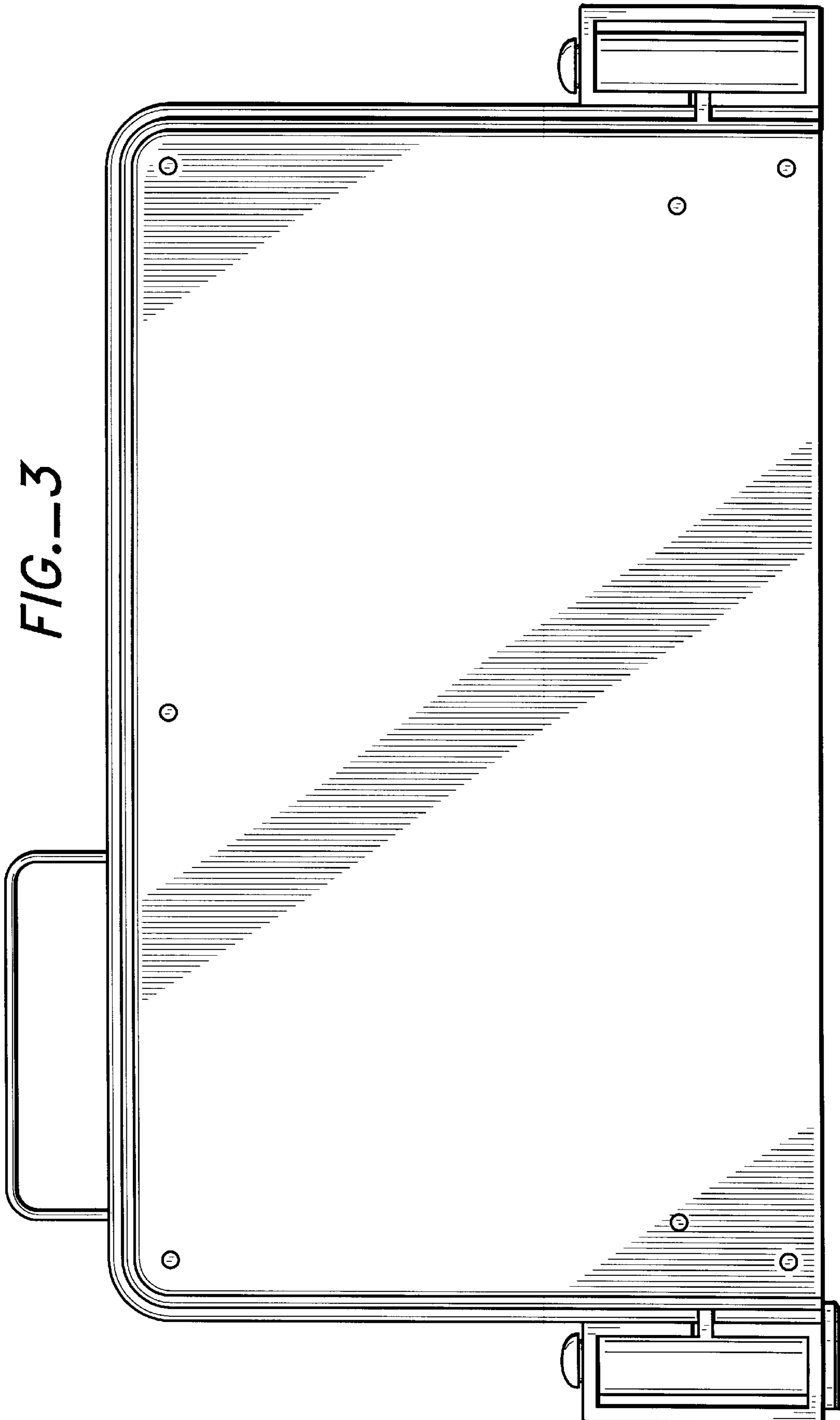


FIG.—1

FIG.--2





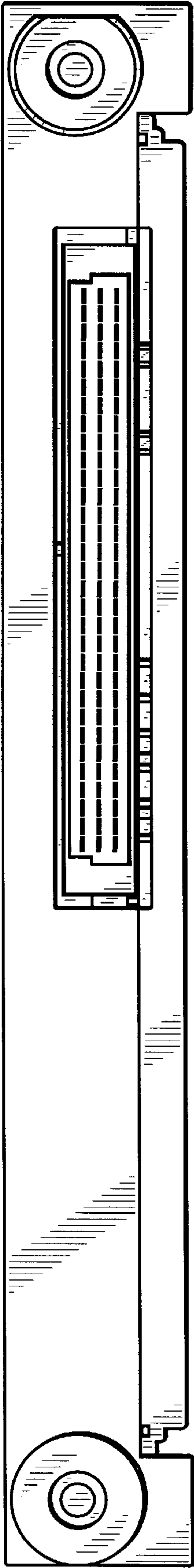


FIG.—4

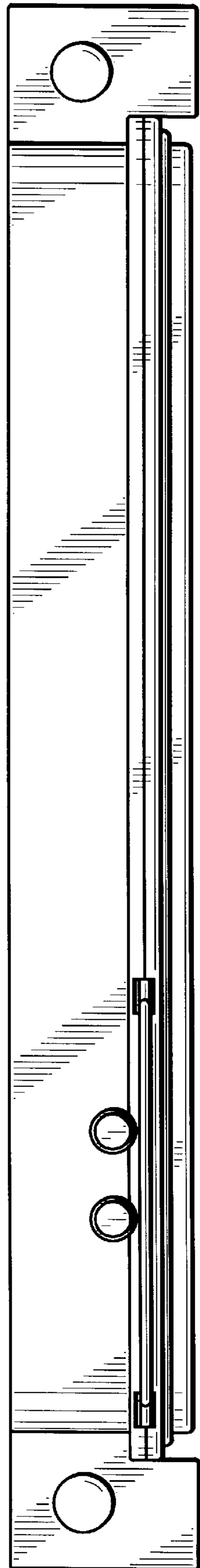


FIG.—5

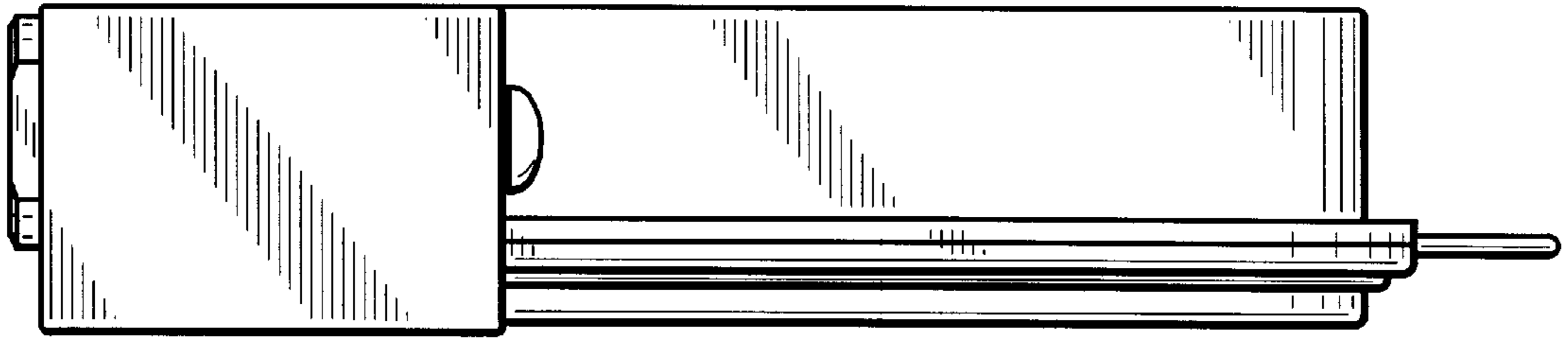


FIG. 6

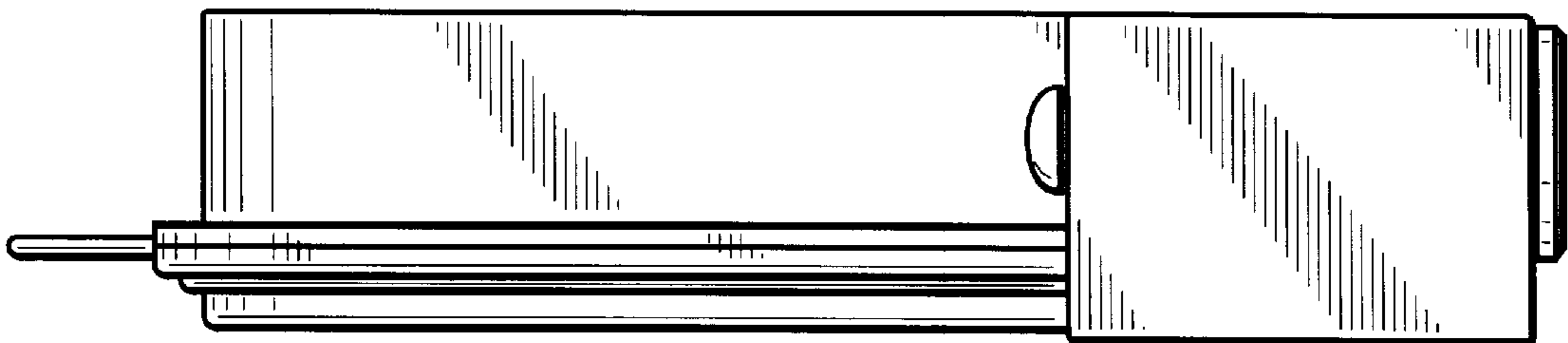


FIG. 7