



US00D404014S

United States Patent [19]

[11] **Patent Number: Des. 404,014**

Barnard et al.

[45] **Date of Patent: **Jan. 12, 1999**

[54] **ROTARY SWITCH HANDLE, ESPECIALLY FOR ELECTRICAL DEVICES**

Primary Examiner—Brian N. Vinson
Attorney, Agent, or Firm—Jerry M. Presson; David L. Tarnoff; Thomas P. Hilliard

[75] Inventors: **David A. Barnard**, Middlebury; **Glenn L. Murphy**, Oxford; **Victor P. Flagello**, New Fairfield, all of Conn.

[57] **CLAIM**

The ornamental design for a rotary switch handle, especially for electrical devices, as shown and described herein.

[73] Assignee: **Hubbell Incorporated**, Orange, Conn.

[**] Term: **14 Years**

DESCRIPTION

[21] Appl. No.: **71,347**

FIG. 1 is a top right end perspective view of the rotary switch handle, in accordance with our new design;

[22] Filed: **May 28, 1997**

FIG. 2 is a top plan view of the rotary switch handle illustrated in FIG. 1;

[51] **LOC (6) Cl.** **13-03**

[52] **U.S. Cl.** **D13/174**

[58] **Field of Search** D13/174, 173, D13/171, 158; 200/6 R, 28, 43.08, 273, 316, 329, 50.34; D8/300, 310

FIG. 3 is a front side elevational view of the rotary switch handle illustrated in FIGS. 1 and 2;

FIG. 4 is a rear side elevational view of the rotary switch handle illustrated in FIGS. 1-3;

[56] **References Cited**

U.S. PATENT DOCUMENTS

D. 271,373	11/1983	Spira et al.	D13/174 X
D. 349,101	7/1994	Schaeffer	D13/174
1,818,290	8/1931	Wulle	.	
4,553,000	11/1985	Appleton	200/50 B
5,298,701	3/1994	Sandor	200/50 B
5,507,663	4/1996	Beckmann	439/357

FIG. 5 is a right end elevational view of the rotary switch handle illustrated in FIGS. 1-4;

FIG. 6 is a left end elevational view of the rotary switch handle illustrated in FIGS. 1-5; and,

FIG. 7 is a longitudinal cross-sectional view of the rotary switch handle illustrated in FIGS. 1-6, taken along section line 7-7 of FIG. 6.

OTHER PUBLICATIONS

Hubbell Catalog 2000; *Wiring Devices & Systems*; Kellems® Wire Management Marine Wiring Products; Two pages, G-4 -G-5; 1995.

1 Claim, 4 Drawing Sheets

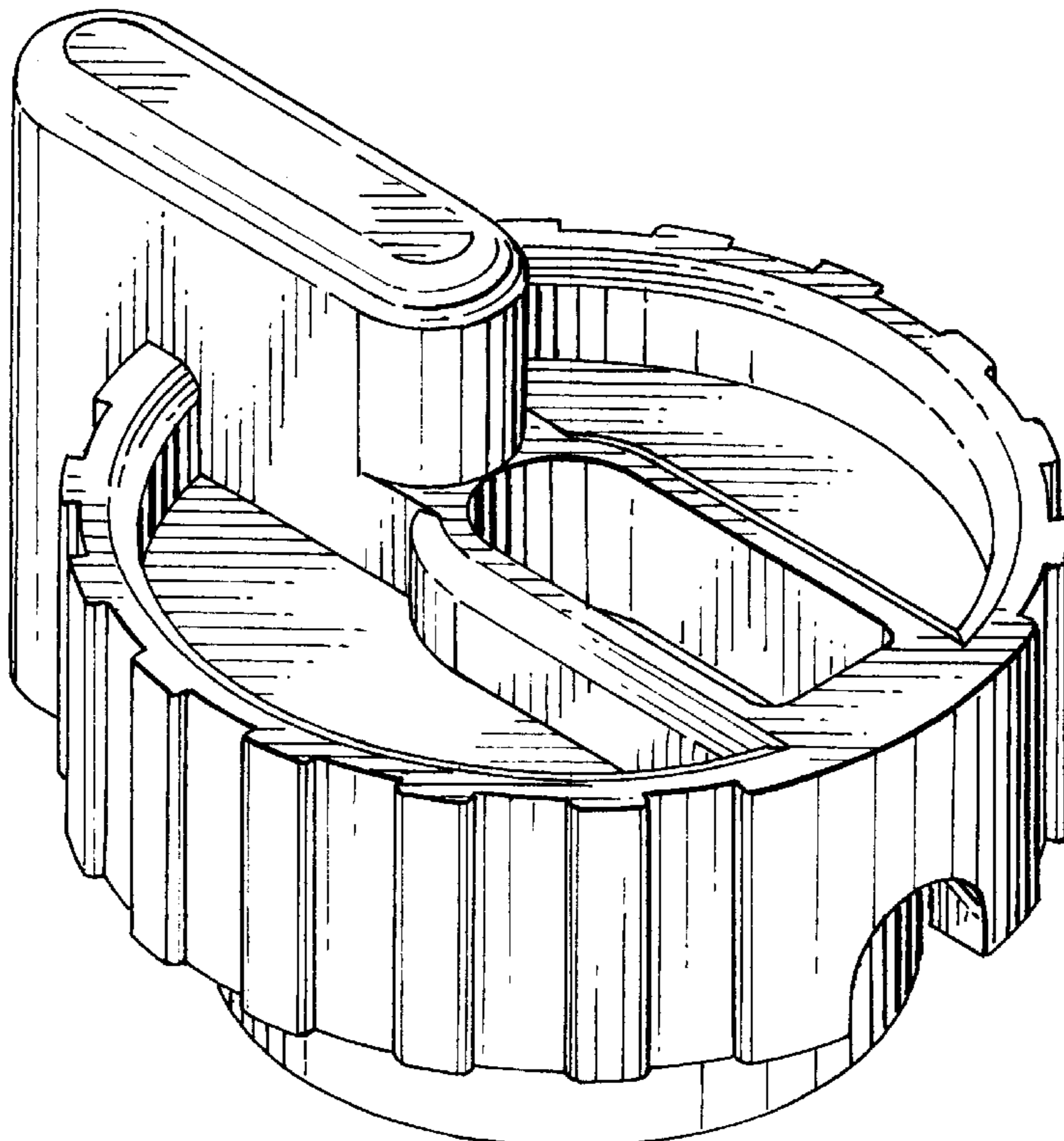


FIG. 1

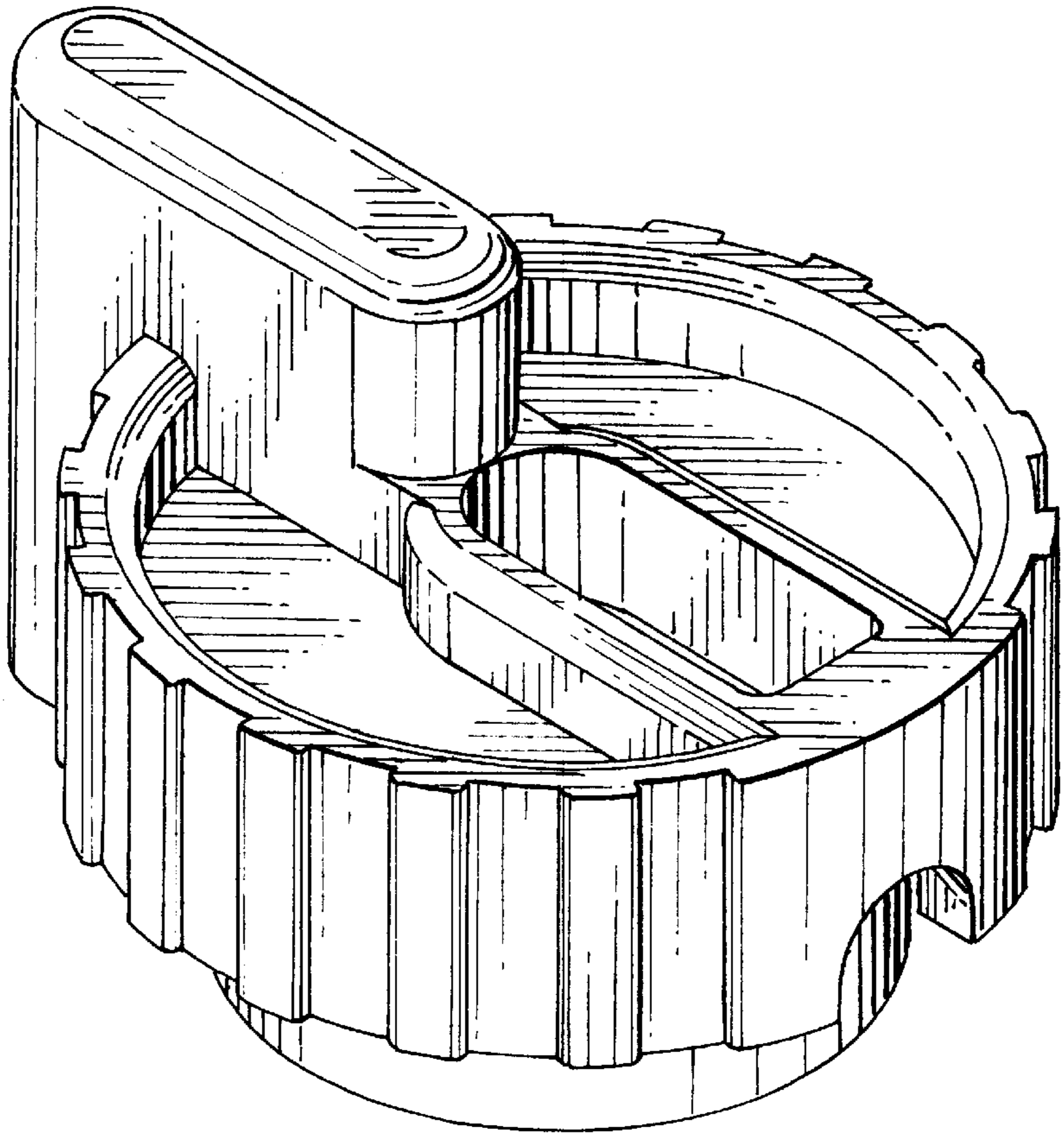


FIG. 2

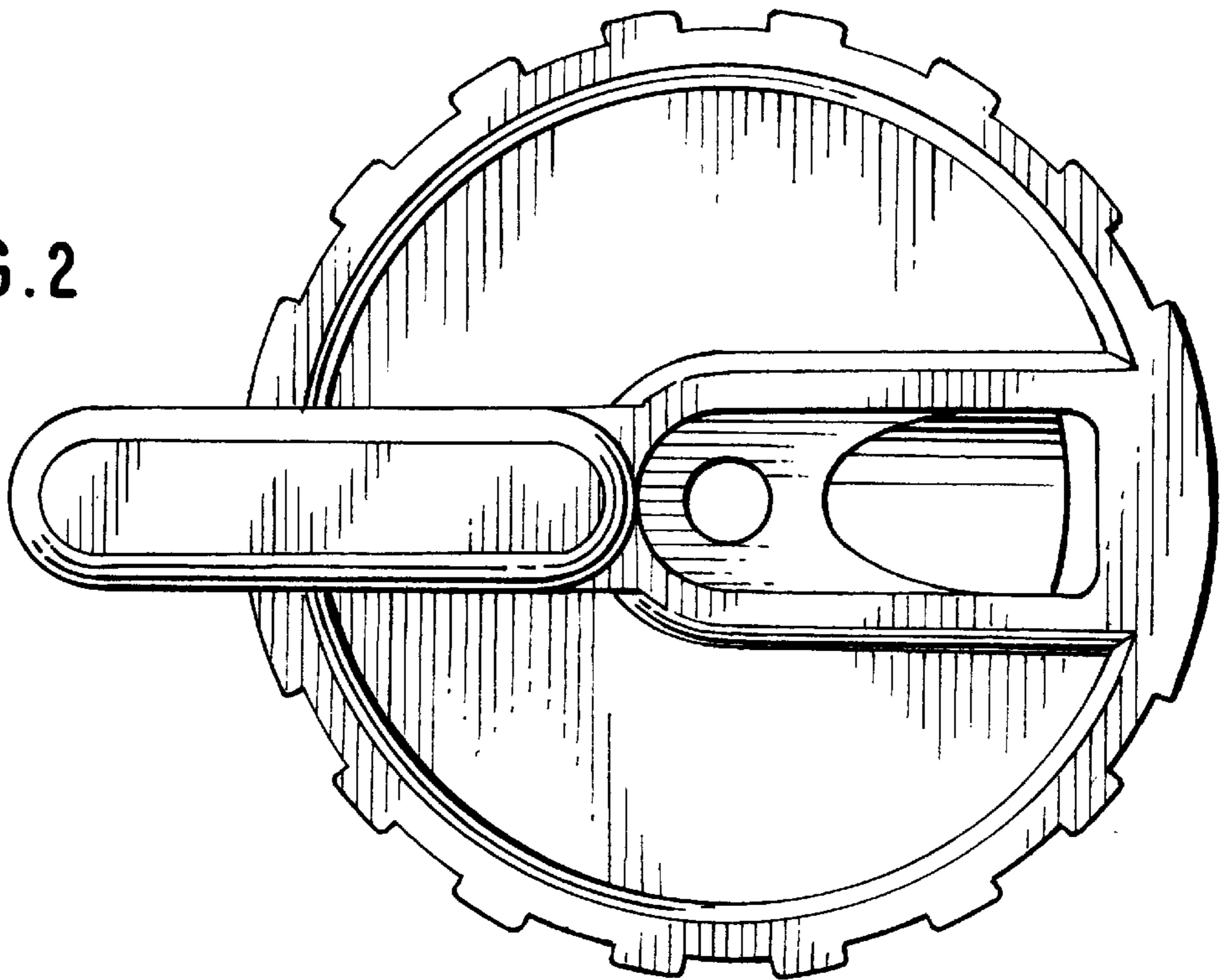


FIG. 3

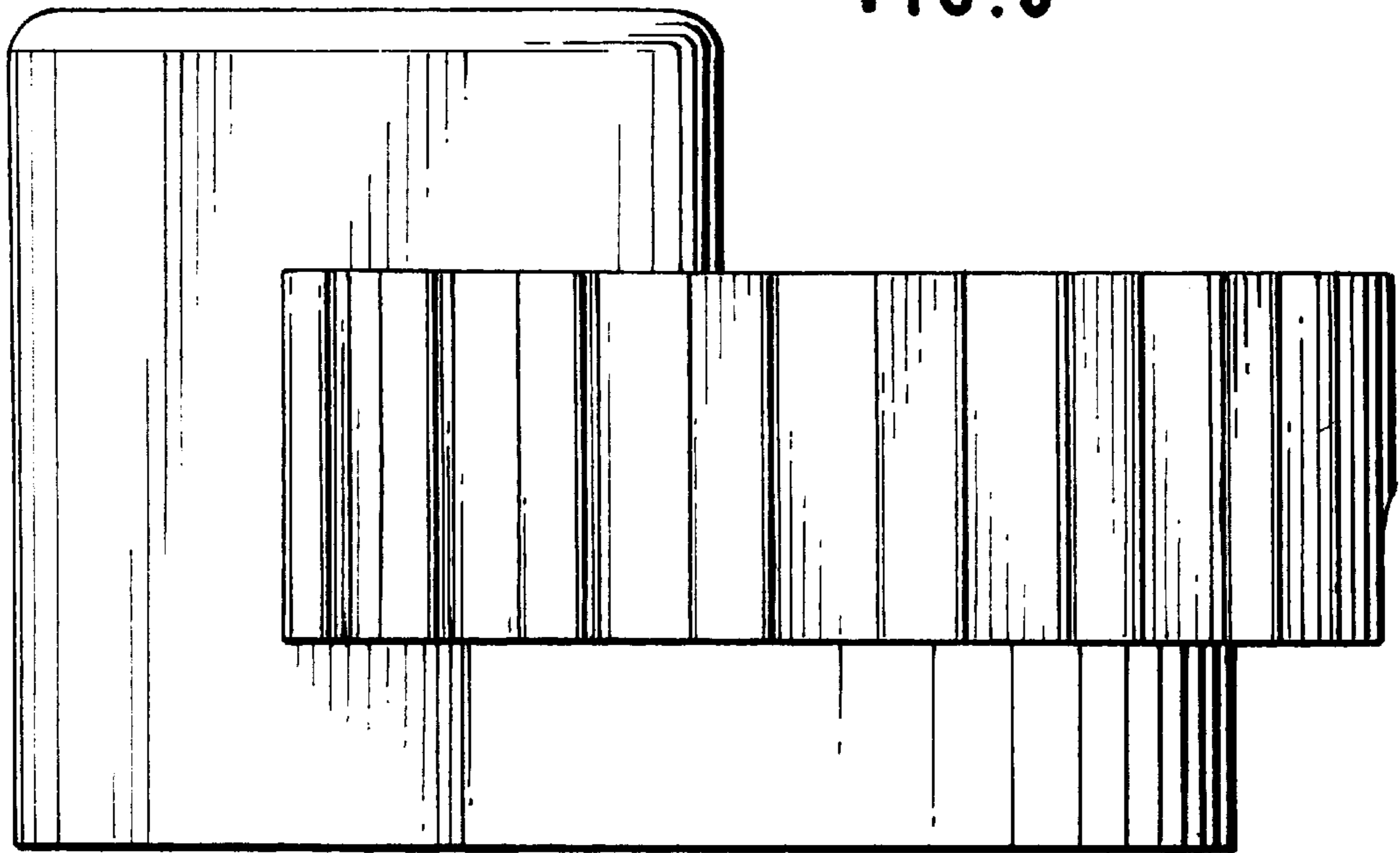


FIG. 4

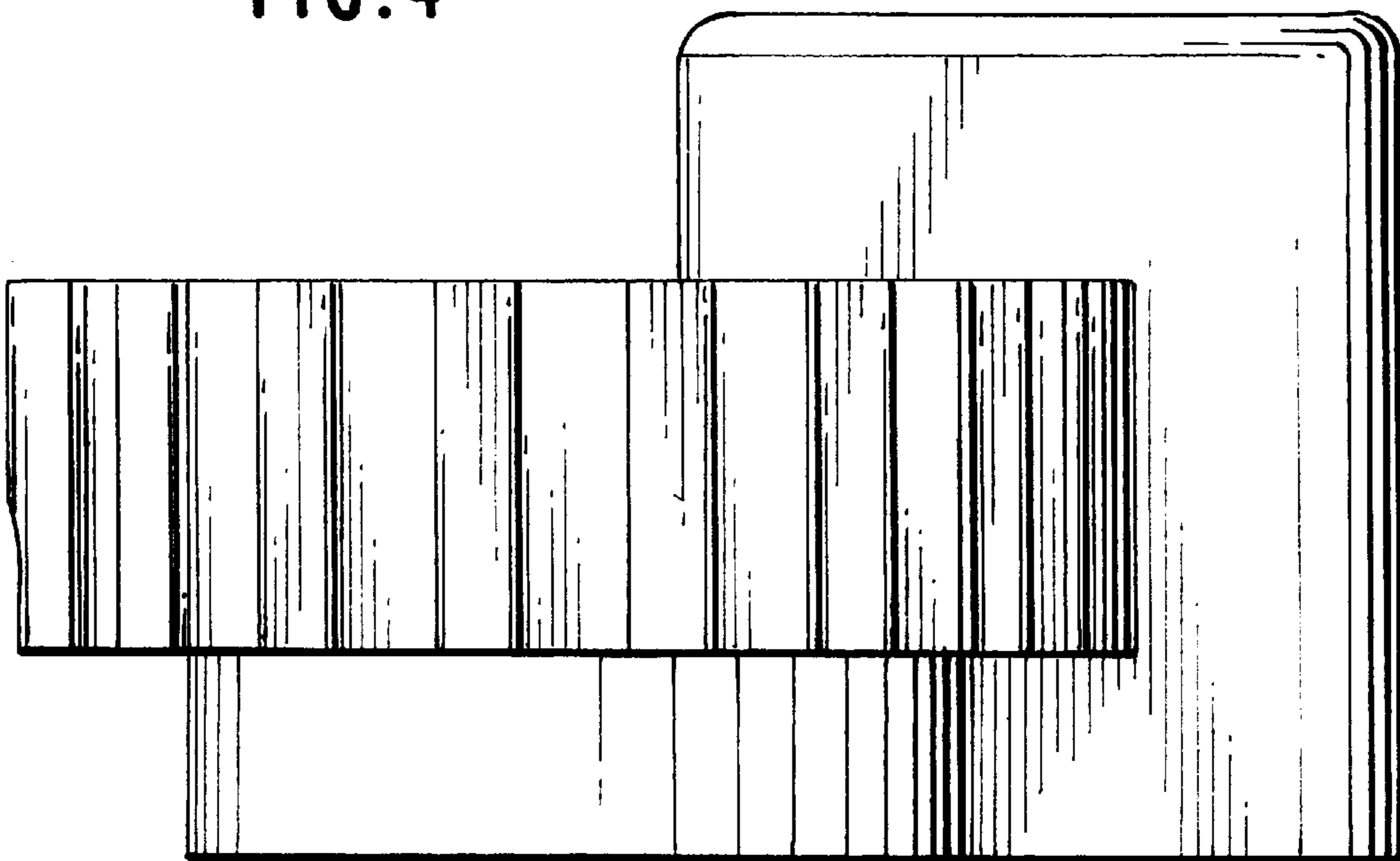


FIG. 5

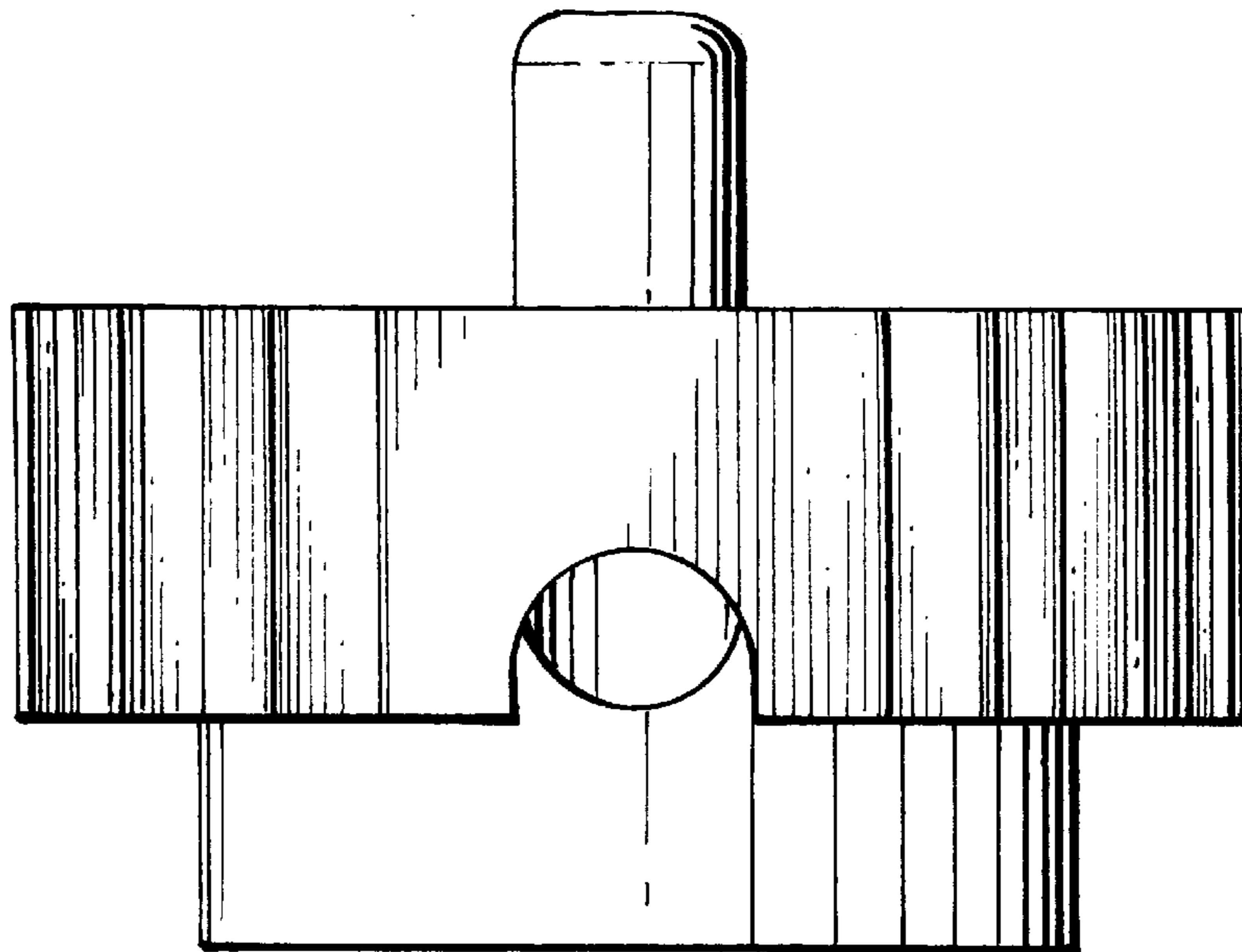
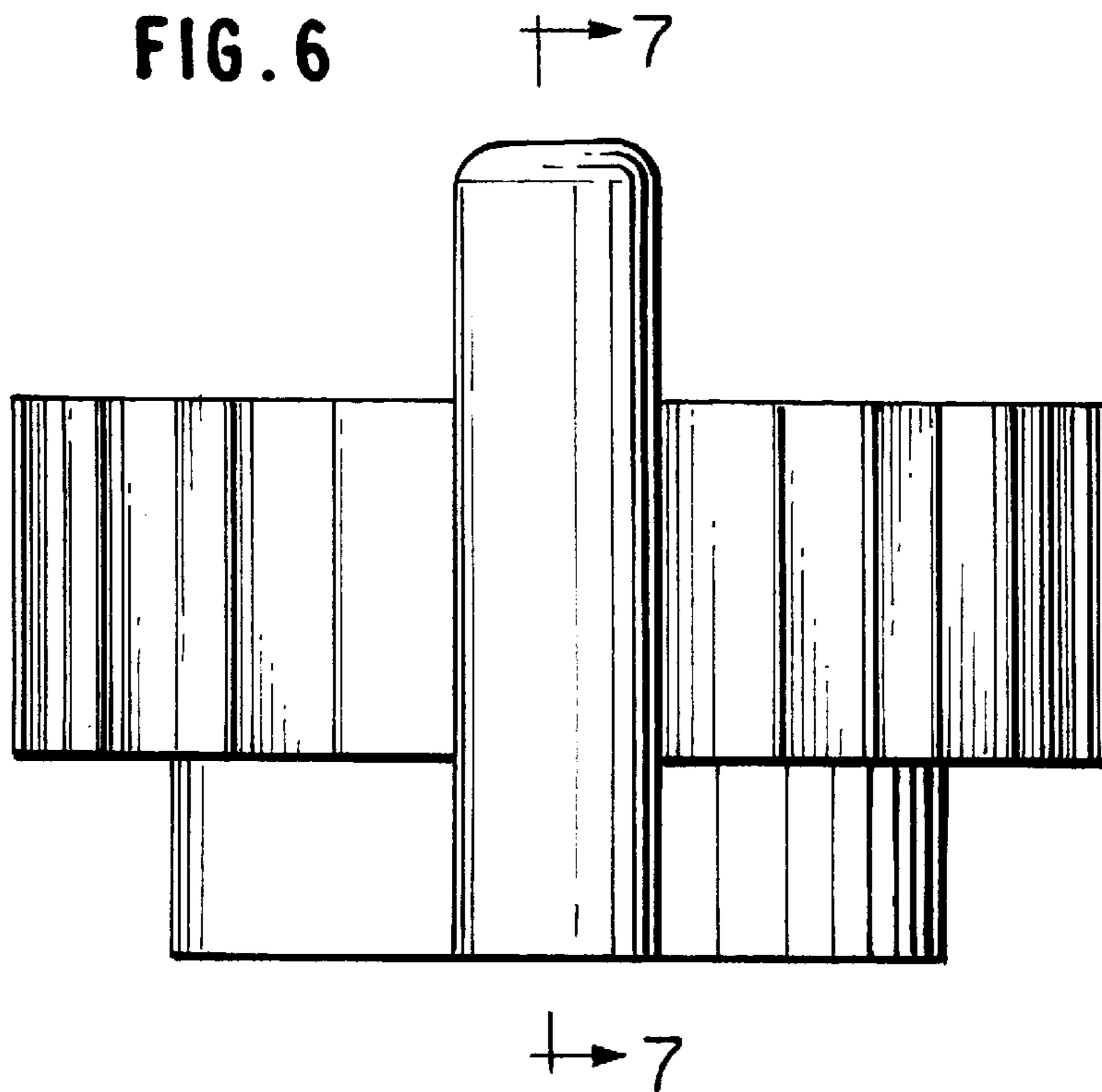


FIG. 6



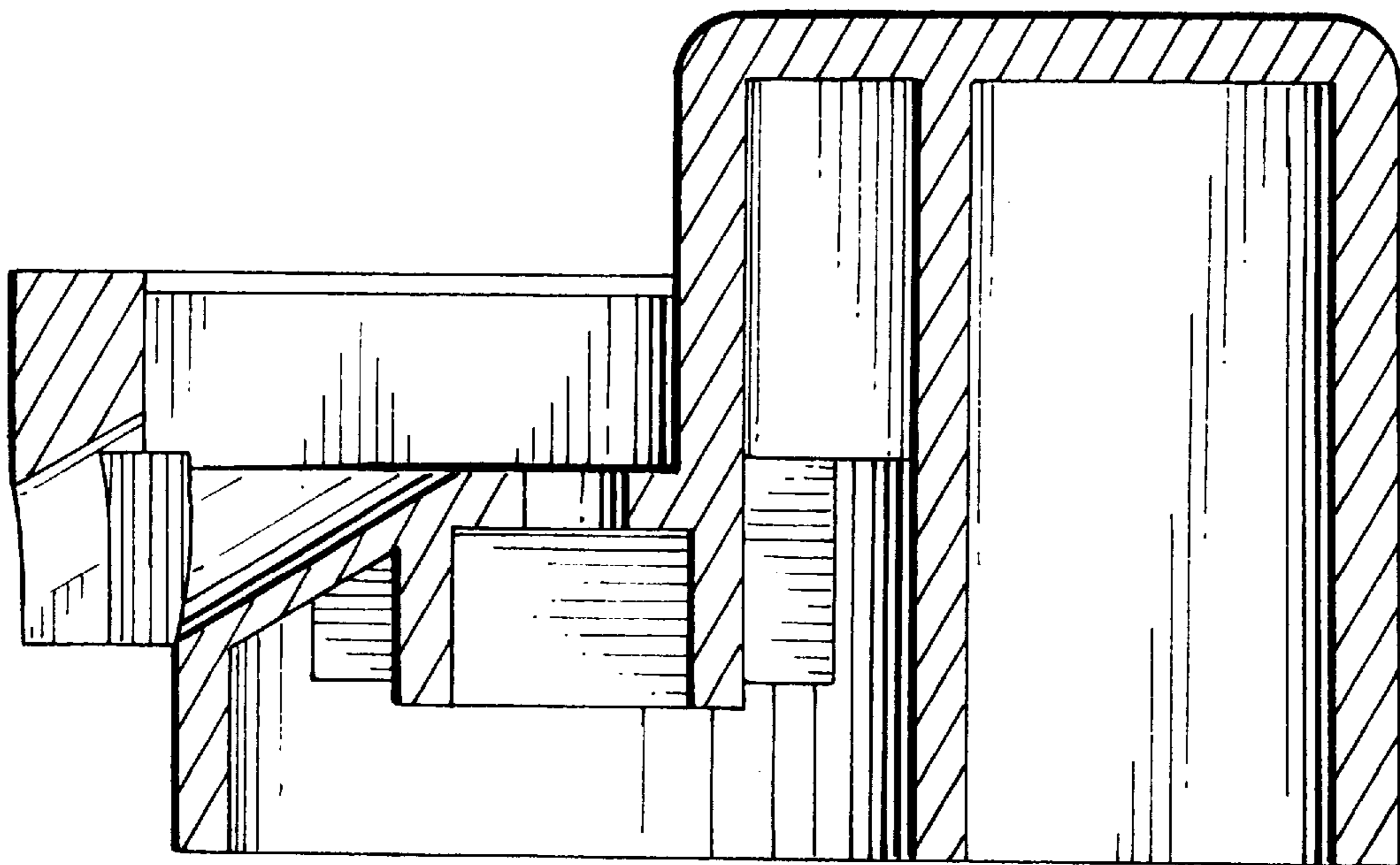


FIG. 7