



US00D404012S

United States Patent [19] Cornu

[11] **Patent Number: Des. 404,012**

[45] **Date of Patent: **Jan. 12, 1999**

[54] **THERMAL RELAY**

[75] Inventor: **Pierre Yves Cornu**, Versailles, France

[73] Assignee: **Schneider Electric SA**, Boulogne Billancourt, France

[**] Term: **14 Years**

[21] Appl. No.: **63,948**

[22] Filed: **Dec. 19, 1996**

[30] **Foreign Application Priority Data**

Jun. 19, 1996 [FR] France 96 3660

[51] **LOC (6) Cl.** **13-03**

[52] **U.S. Cl.** **D13/159**

[58] **Field of Search** D13/159, 158,
D13/160, 178; 375/133, 134, 132, 202;
202/293

[56] **References Cited**

U.S. PATENT DOCUMENTS

D. 323,815 2/1992 Bouteiller D13/159

D. 326,844 6/1992 Bouteiller D13/159
D. 354,945 1/1995 Dellavecchia et al. D13/159
D. 370,465 6/1996 Yee et al. D13/159
D. 373,111 8/1996 Bouteiller D13/159

Primary Examiner—Brian N. Vinson
Attorney, Agent, or Firm—Oblon, Spivak, McClelland,
Maier & Neustadt, P.C.

[57] **CLAIM**

The ornamental design for a thermal relay, as shown and described.

DESCRIPTION

FIG. 1 is a front elevational view of thermal relay showing my new design;

FIG. 2 is a rear elevational view thereof;

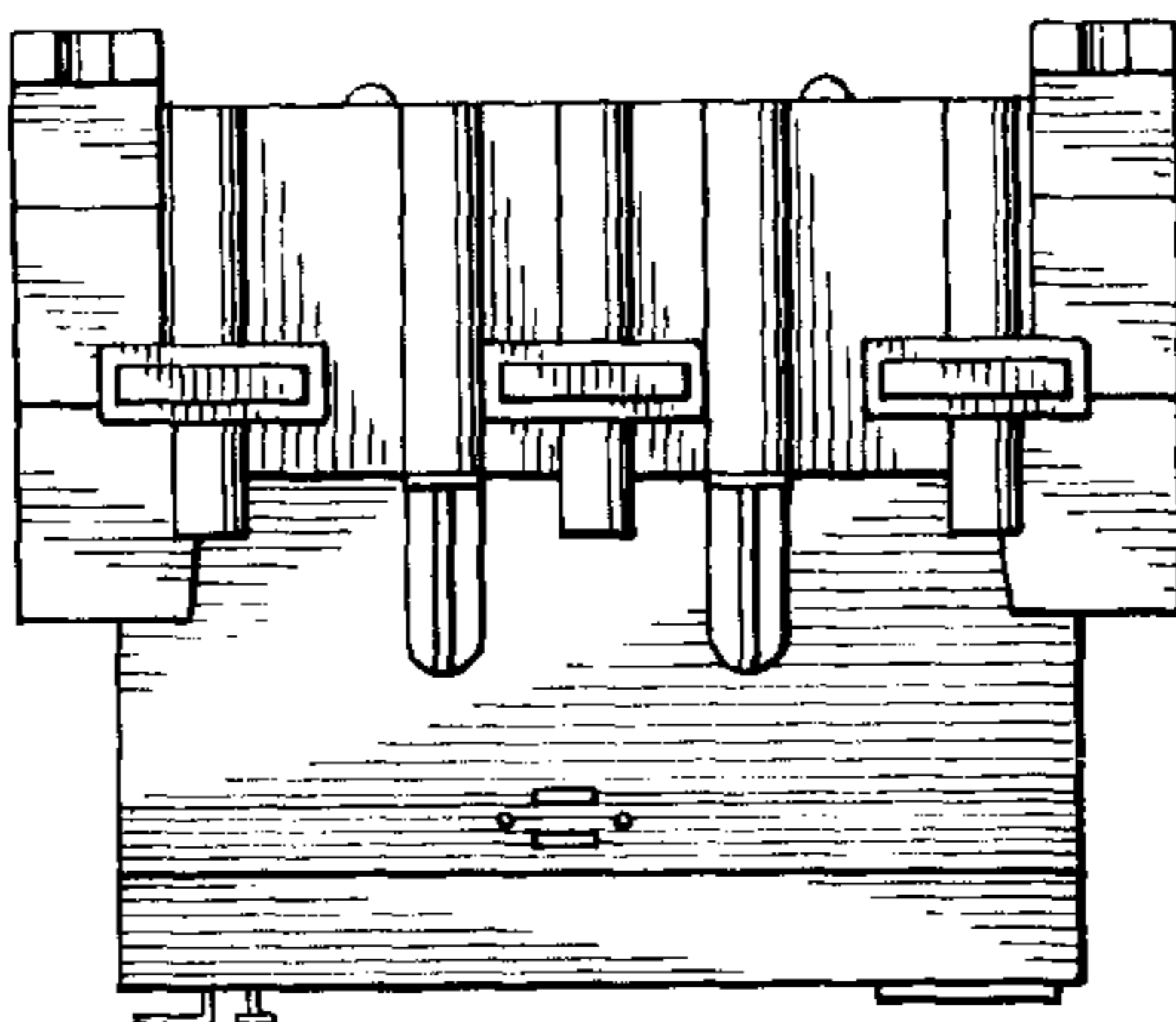
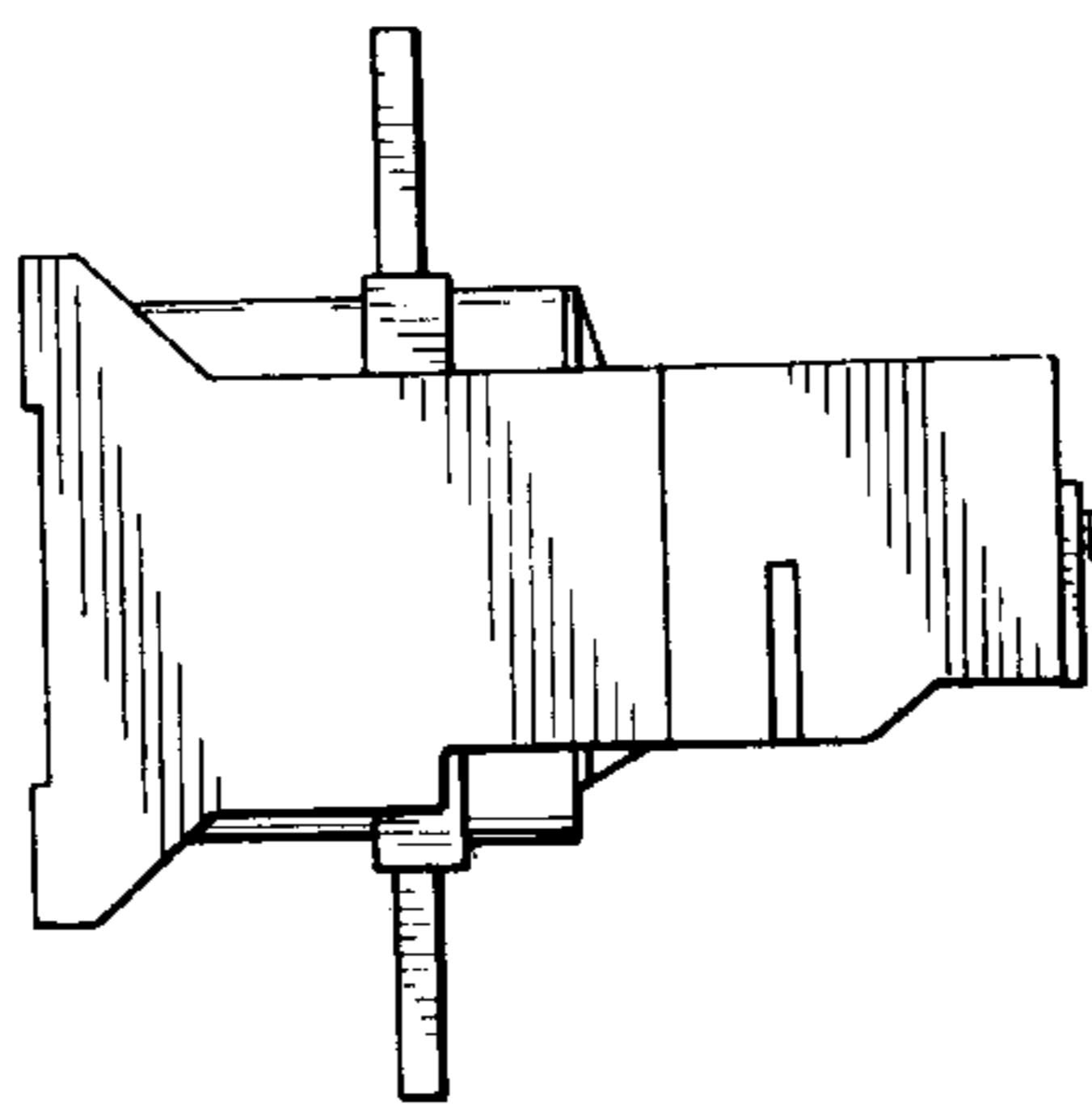
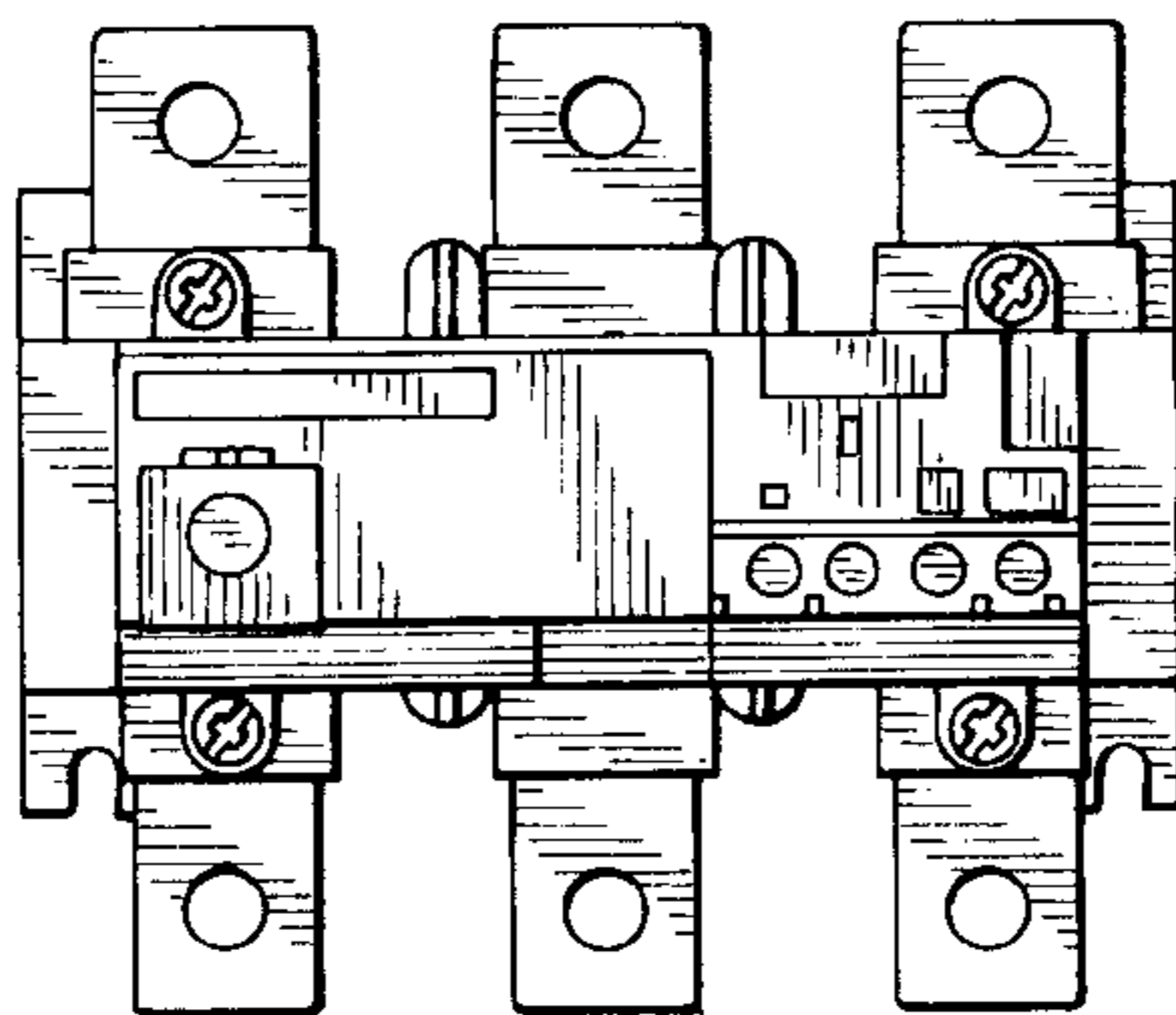
FIG. 3 is a right side view thereof;

FIG. 4 is a left side view thereof;

FIG. 5 is a top plan view thereof; and,

FIG. 6 is a bottom view thereof.

1 Claim, 3 Drawing Sheets



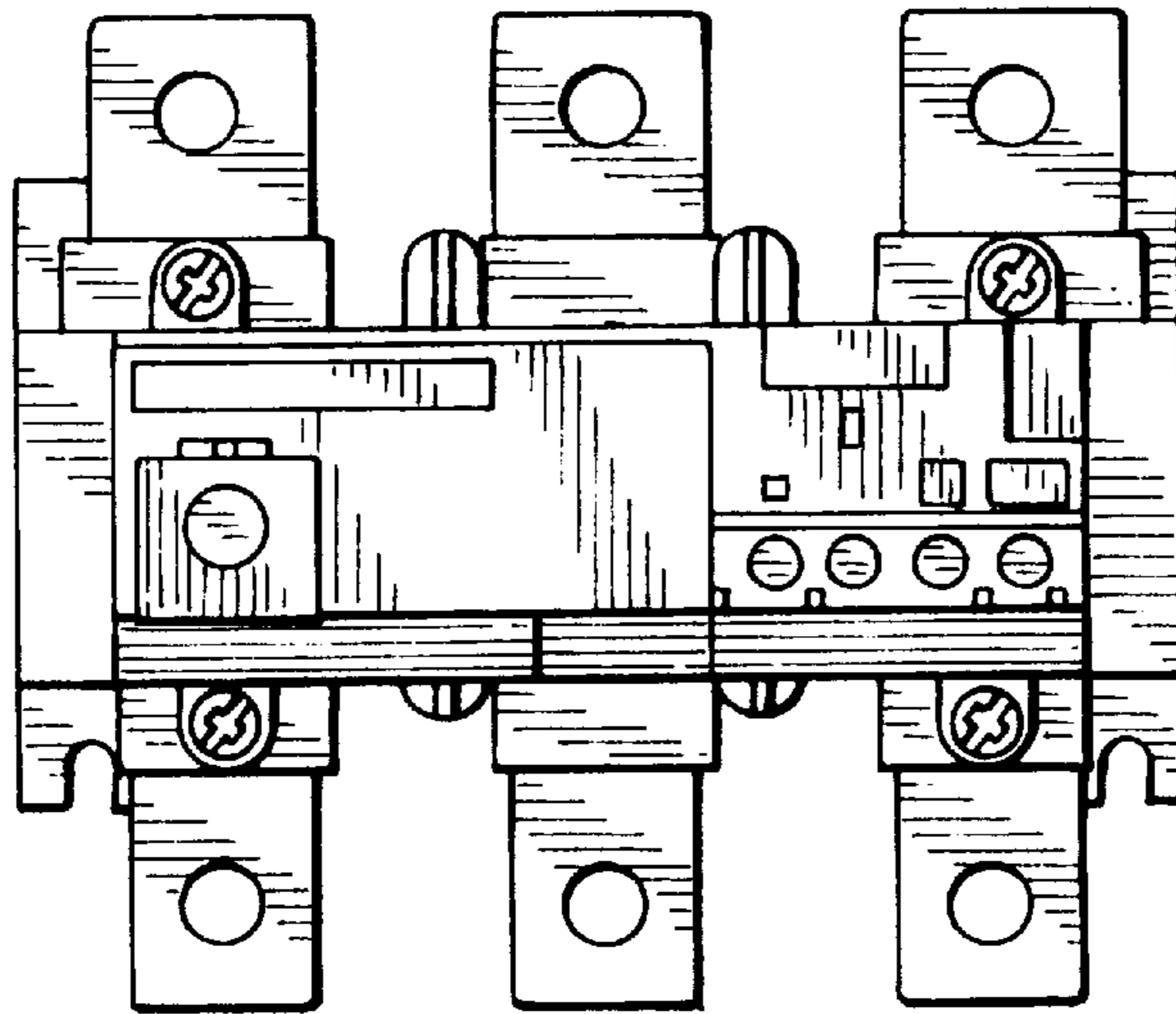


FIG. 1

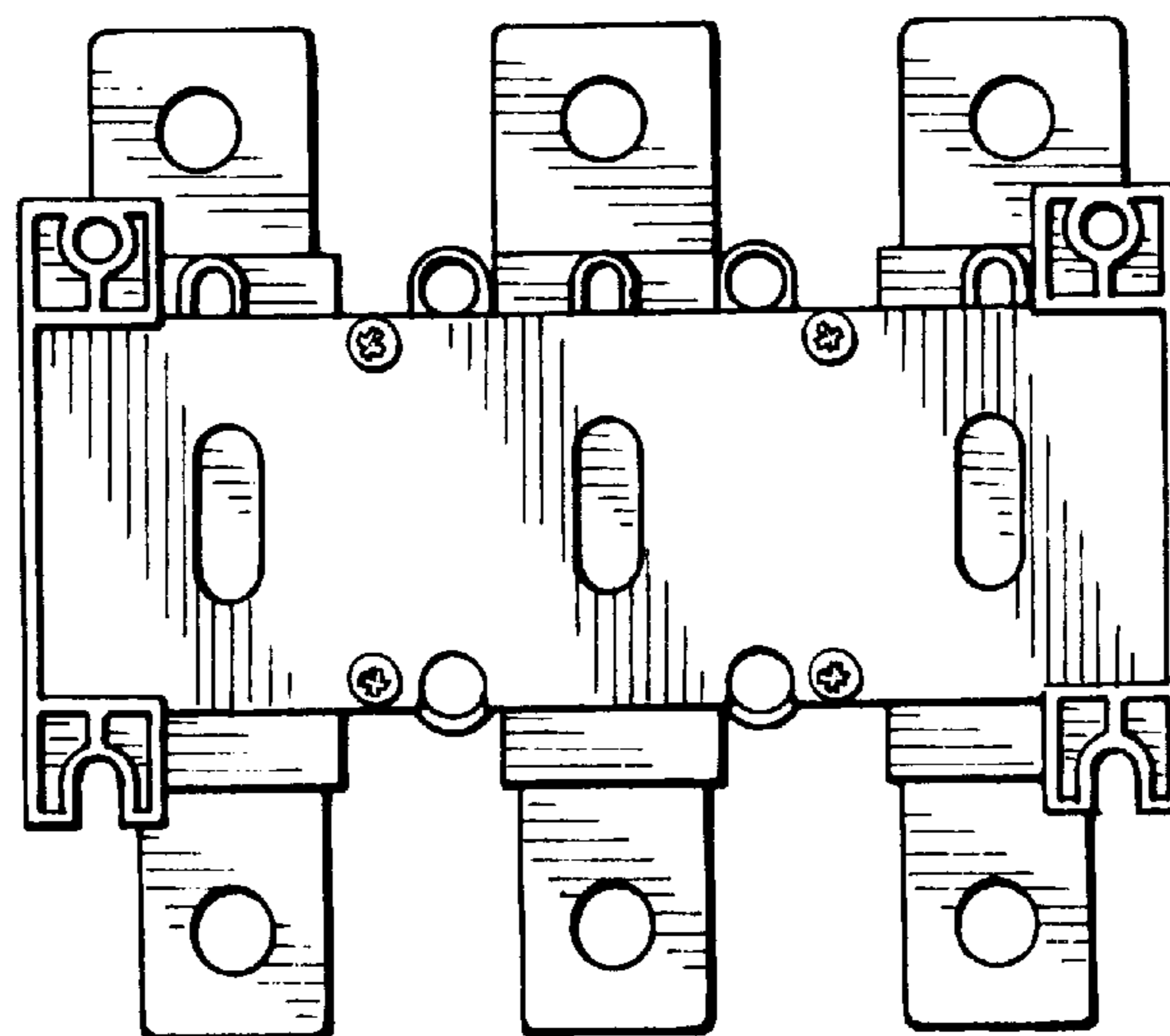


FIG. 2

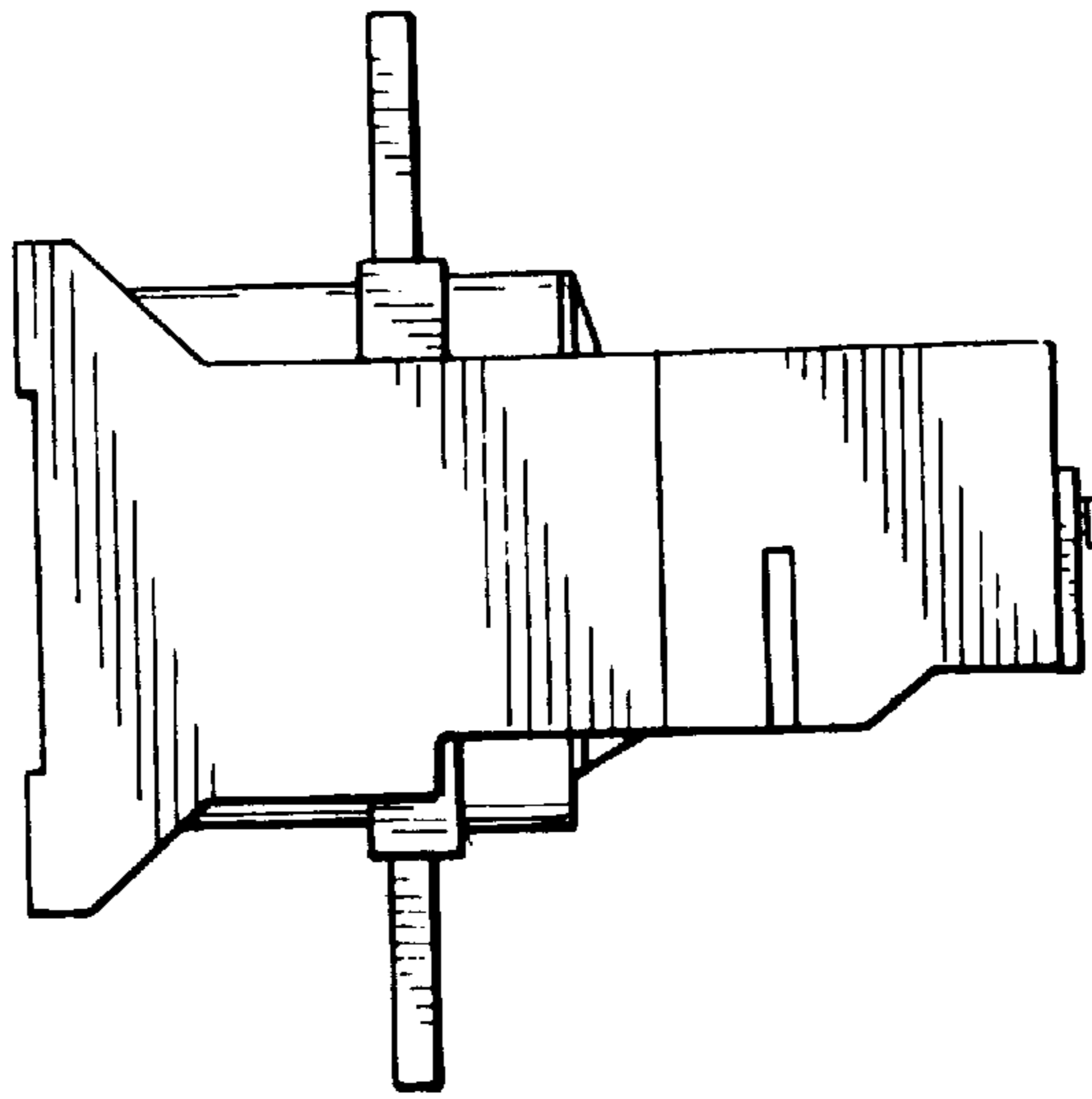


FIG. 4

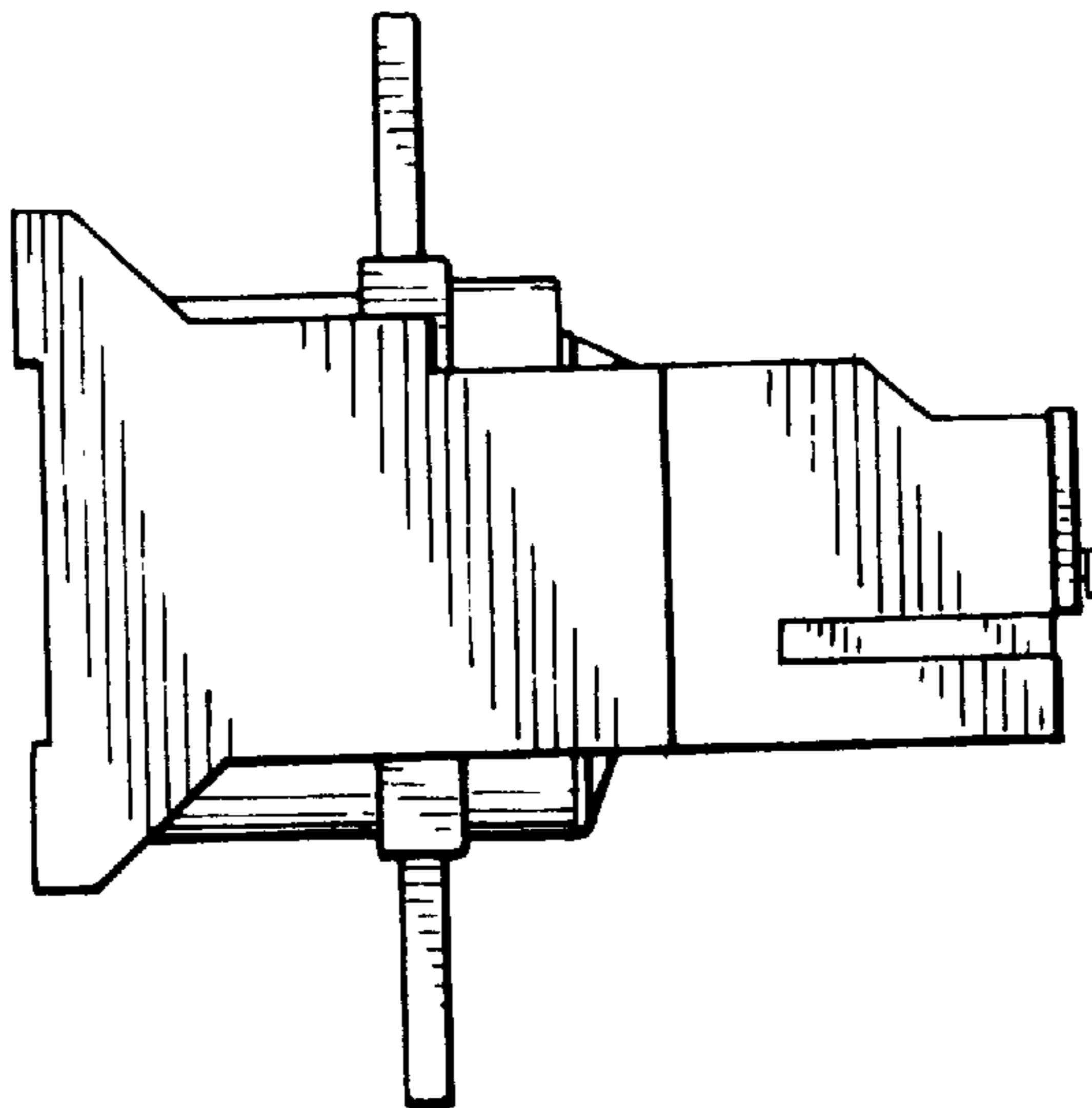


FIG. 3

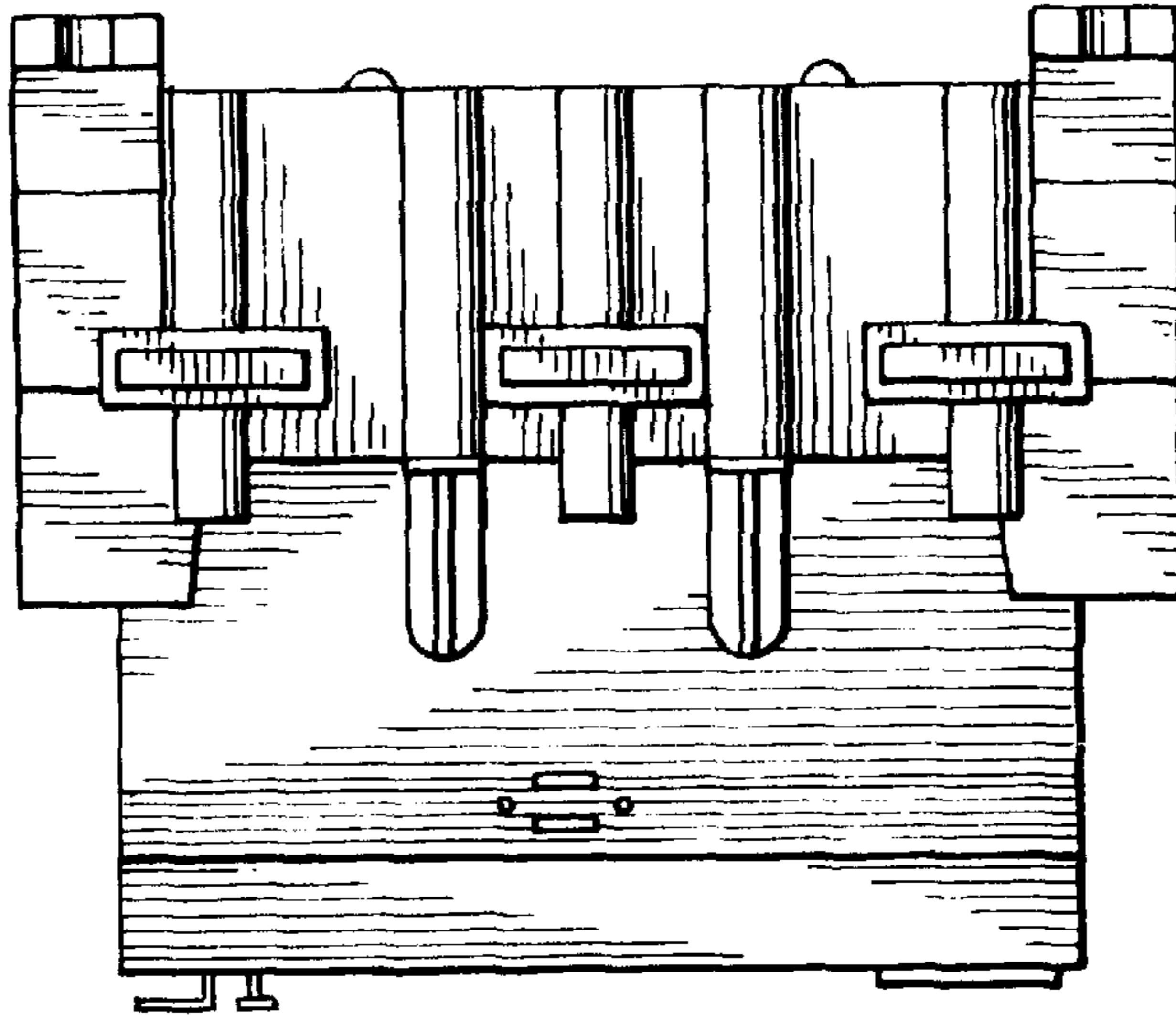


FIG. 5

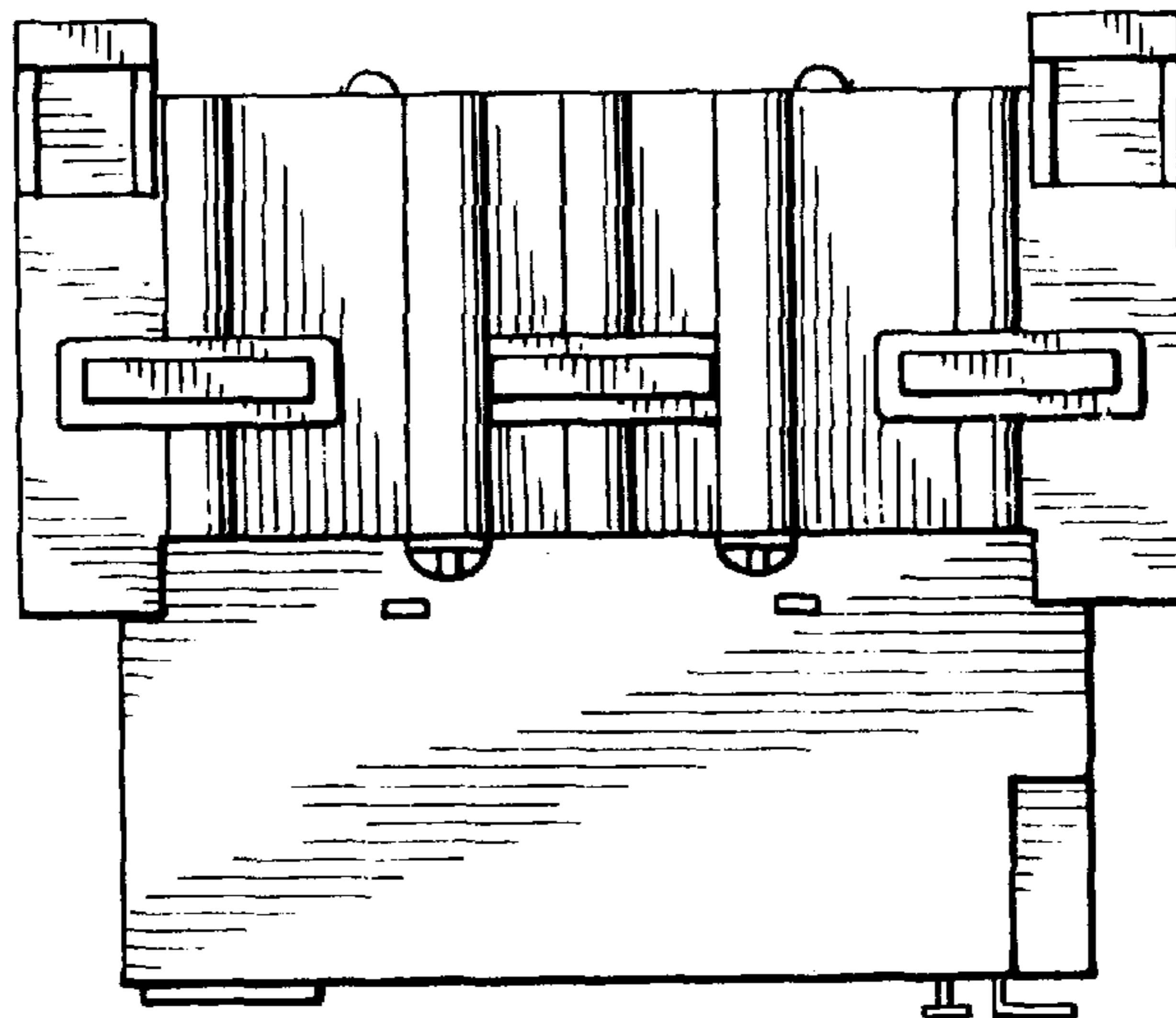


FIG. 6