



US00D404010S

United States Patent [19]

Viklund et al.

[11] Patent Number: **Des. 404,010**

[45] Date of Patent: ****Jan. 12, 1999**

[54] **CABLE MANAGER**

3,705,949 12/1972 Weiss 147/101
4,136,257 1/1979 Taylor 174/68.3

[75] Inventors: **Mark Viklund**, New Milford; **Jeff Edgerly**, Bristol, both of Conn.

Primary Examiner—Joel Sincavage
Attorney, Agent, or Firm—Fishman, Dionne, Cantor & Colburn

[73] Assignee: **The Siemon Company**, Watertown, Conn.

[57] CLAIM

[**] Term: **14 Years**

The ornamental design for a cable manager, as shown and described.

[21] Appl. No.: **69,147**

DESCRIPTION

[22] Filed: **Mar. 6, 1997**

[51] **LOC (6) Cl.** **13-03**

[52] **U.S. Cl.** **D13/155**

[58] **Field of Search** D13/155; 174/68.3,
174/72 A, 101; 138/157; 254/134.3 FT

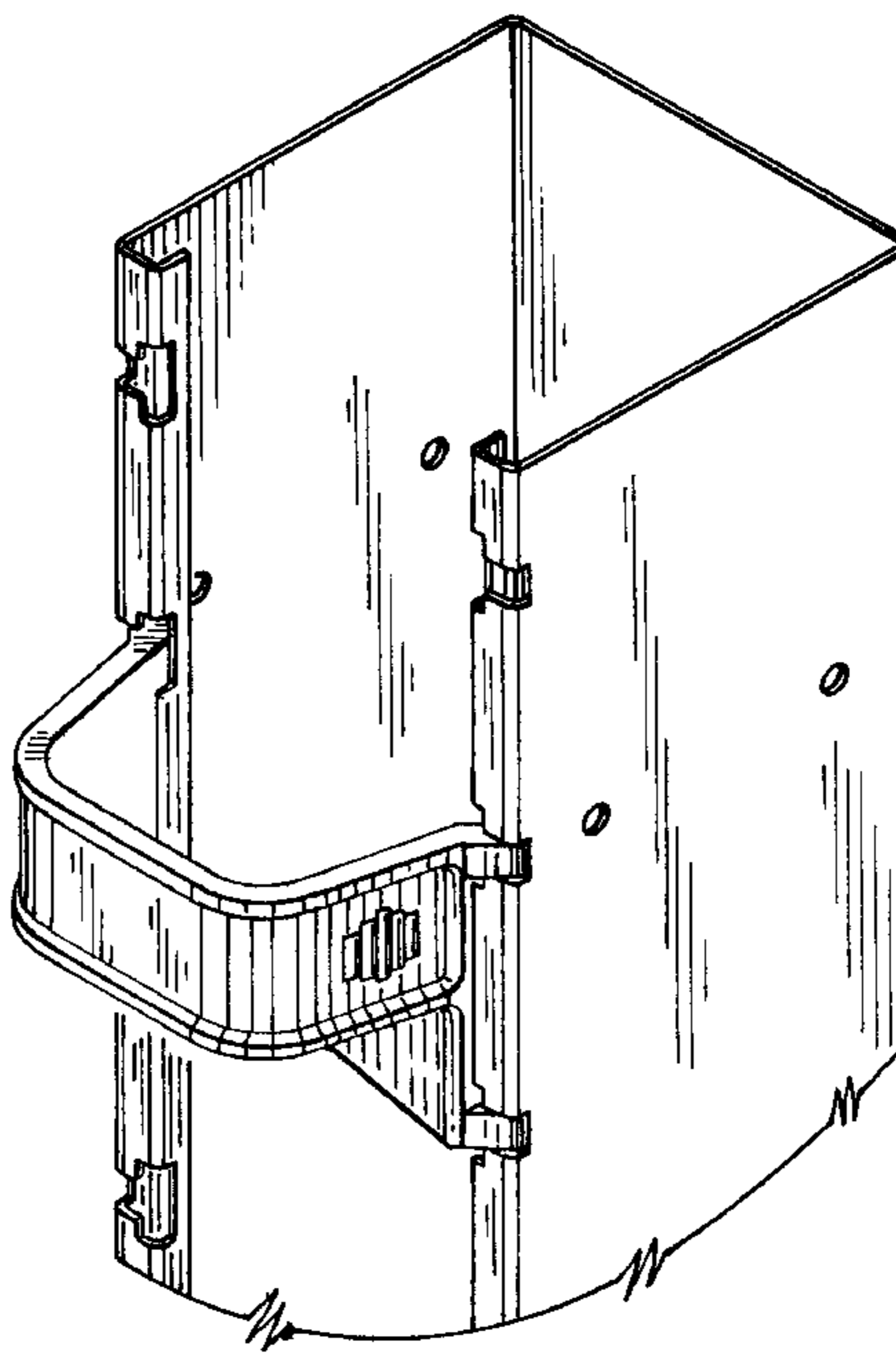
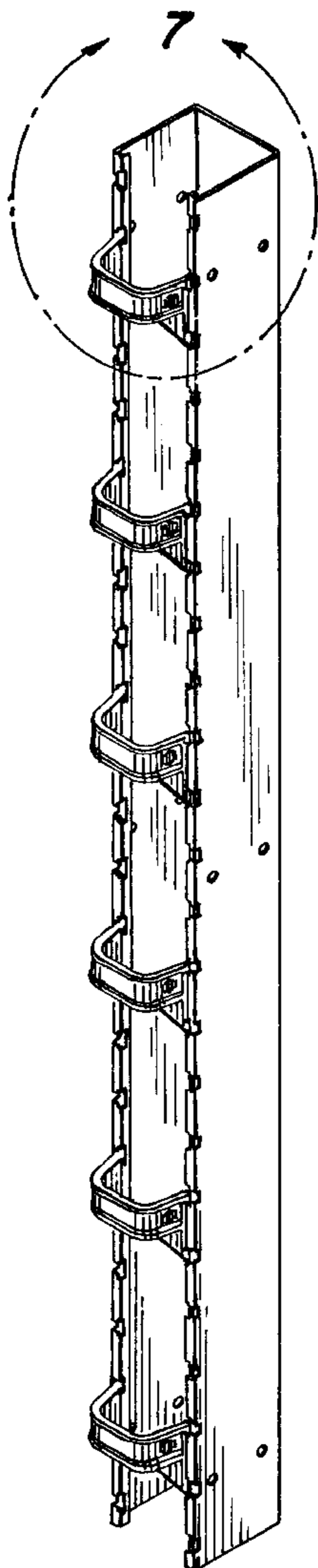
FIG. 1 is a front view of our new design;
FIG. 2 is a right side view of our new design, the left side being a mirror image thereof;
FIG. 3 is a rear view of our new design;
FIG. 4 is a top view of our new design;
FIG. 5 is a bottom view of our new design;
FIG. 6 is a perspective view of our new design; and,
FIG. 7 is an enlarged detail perspective view of the top portion of our design identified in FIG. 6.

[56] References Cited

U.S. PATENT DOCUMENTS

D. 380,736 7/1997 Theis et al. D13/155
2,921,607 1/1960 Caveny 138/157
3,541,224 11/1970 Joly 174/72 C

1 Claim, 2 Drawing Sheets



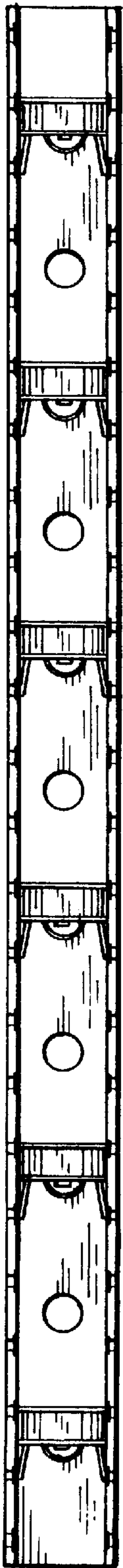


FIG. 1

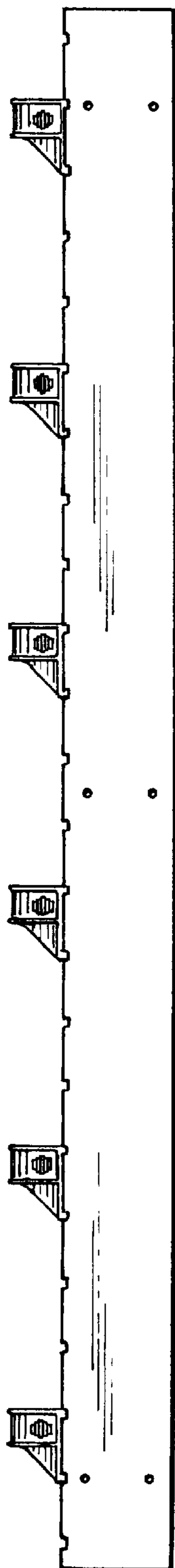


FIG. 2

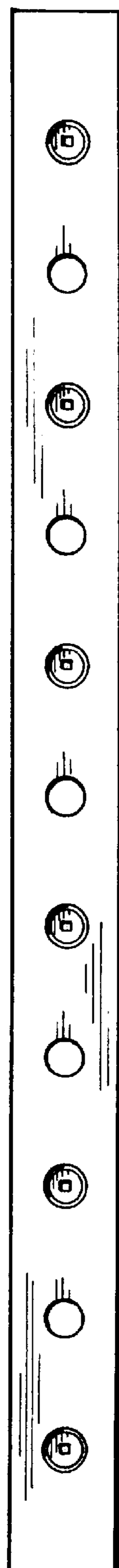


FIG. 3

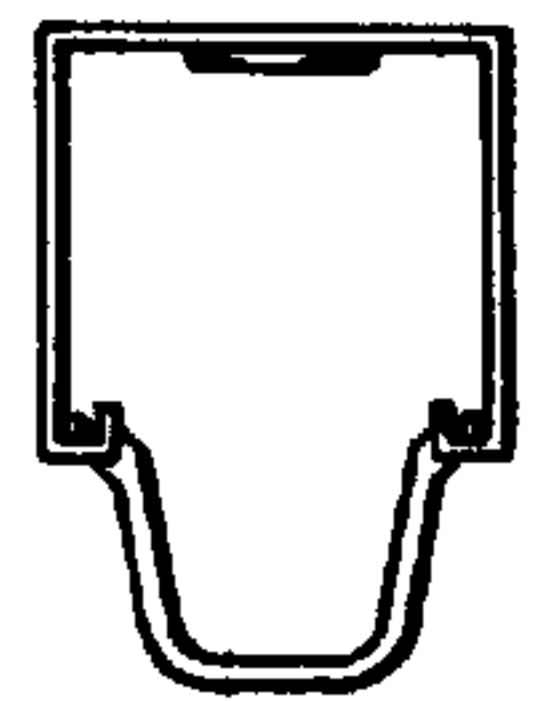


FIG. 4

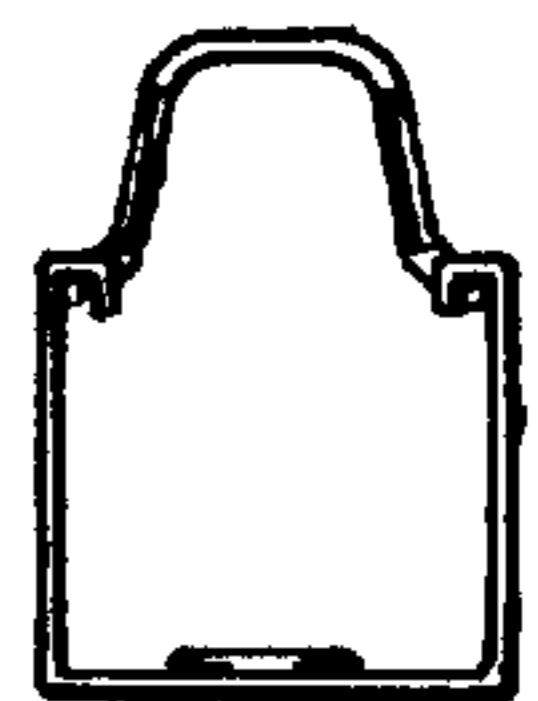


FIG. 5

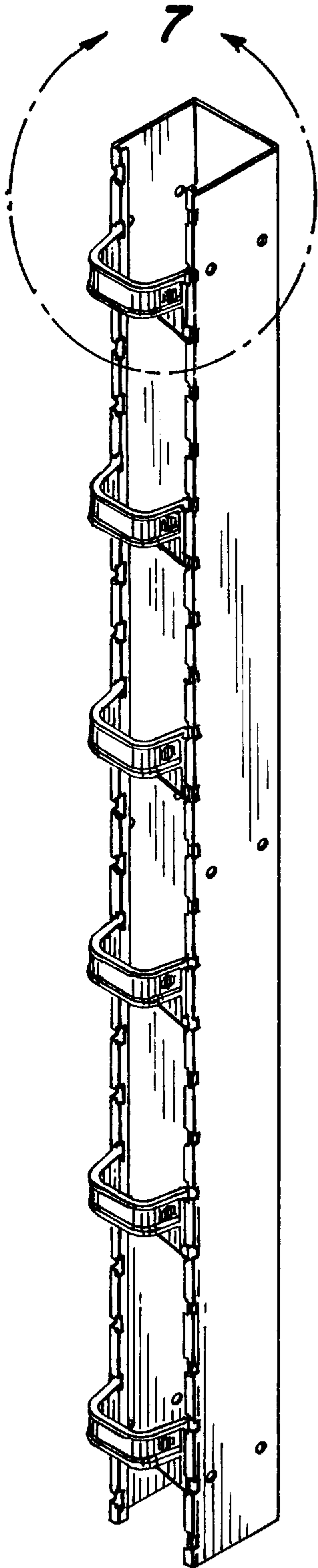


FIG. 6

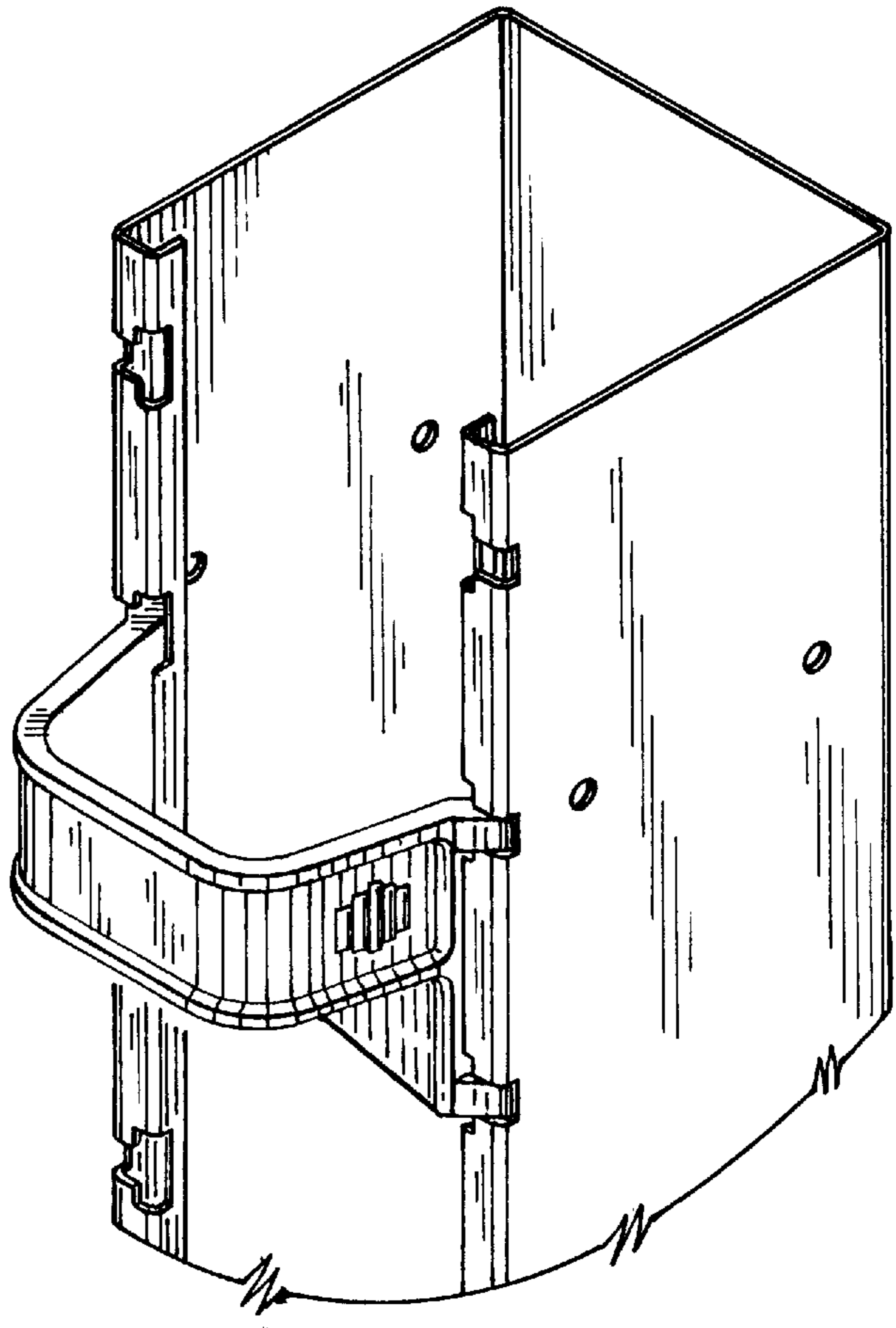


FIG. 7