



US00D404008S

United States Patent [19]

Bennet

[11] Patent Number: **Des. 404,008**

[45] Date of Patent: ****Jan. 12, 1999**

[54] **LOCKING PLUG ASSEMBLY**

[76] Inventor: **Earl Bennet**, 9277 SW. Gopher Valley Rd., Sheridan, Oreg. 97378

[**] Term: **14 Years**

[21] Appl. No.: **74,492**

[22] Filed: **Jul. 31, 1997**

[51] **LOC (6) Cl.** **13-03**

[52] **U.S. Cl.** **D13/137.1**

[58] **Field of Search** D13/137.1, 138.1, D13/138.2, 137.4; 439/346, 296, 369, 320, 283, 278, 345

[56] **References Cited**

U.S. PATENT DOCUMENTS

3,885,849	5/1975	Bailey et al.	439/320	X
5,100,341	3/1992	Czyz et al.	439/320	X
5,286,213	2/1994	Altergott et al.	439/346	X
5,336,103	8/1994	Herboldsheimer	439/346	
5,480,315	1/1996	Martinelli	439/278	X

Primary Examiner—Susan J. Lucas
Assistant Examiner—Jennifer Rivard

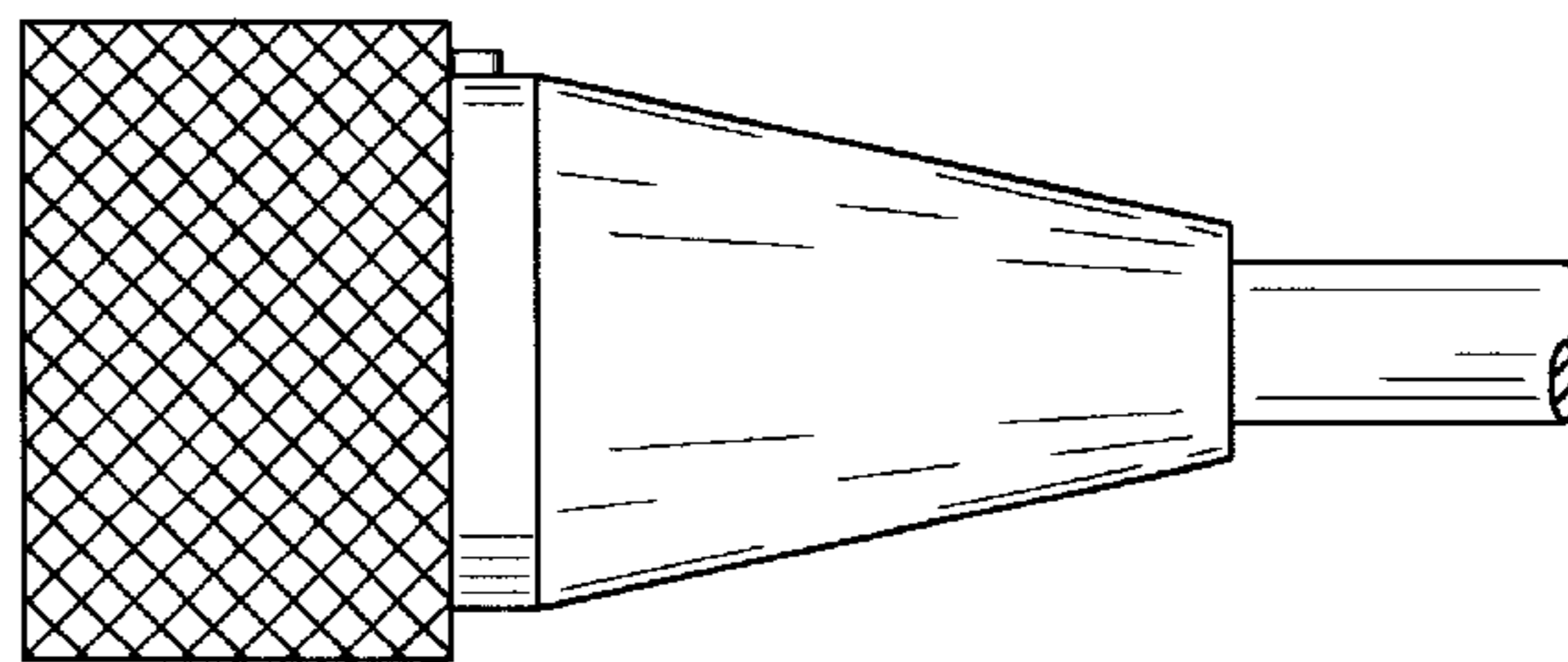
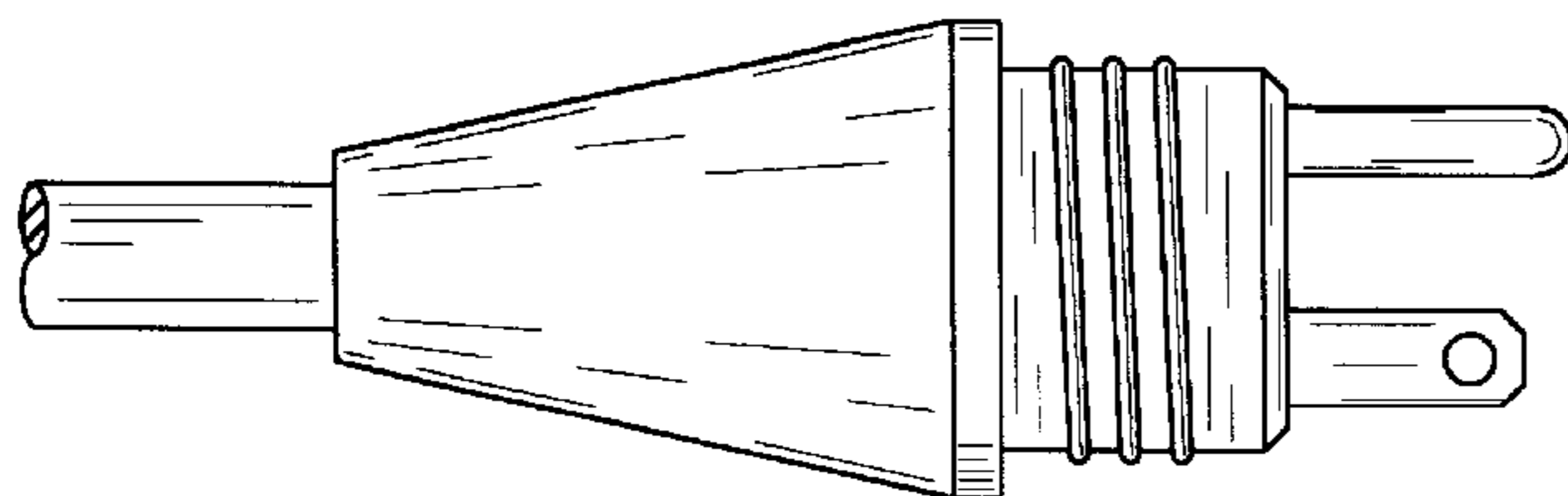
[57] **CLAIM**

The ornamental design for a locking plug assembly, as shown and described.

DESCRIPTION

FIG. 1 is a front elevation view of the locking plug assembly of the present invention;
FIG. 2 is a back elevation view of the locking plug assembly of FIG. 1;
FIG. 3 is a left side elevation view of the locking plug assembly of FIG. 1;
FIG. 4 is a right side elevation view of the locking plug assembly of FIG. 1;
FIG. 5 is a top plan view of the locking plug assembly of FIG. 1;
FIG. 6 is a bottom plan view of the locking plug assembly of FIG. 1; and,
FIG. 7 is a perspective view of the locking plug assembly of FIG. 1.

1 Claim, 4 Drawing Sheets



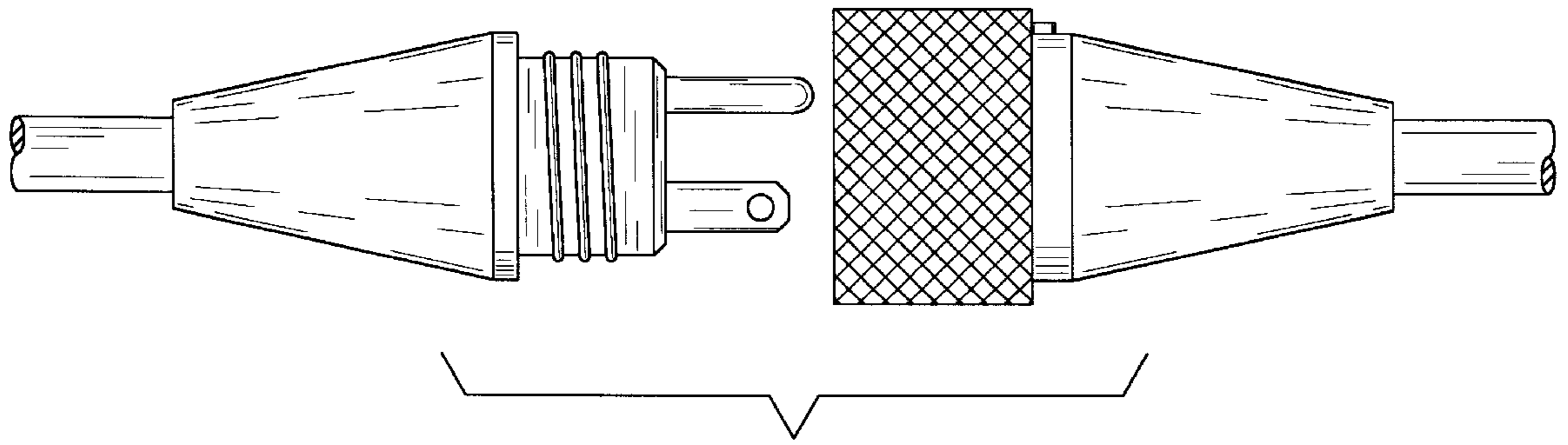


Fig. 1

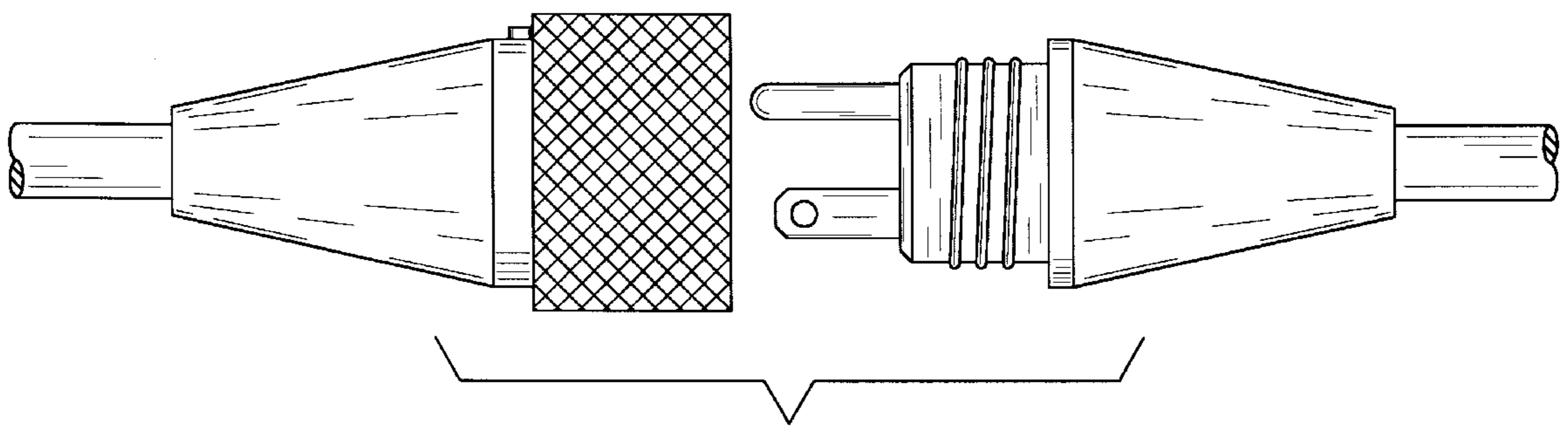


Fig. 2

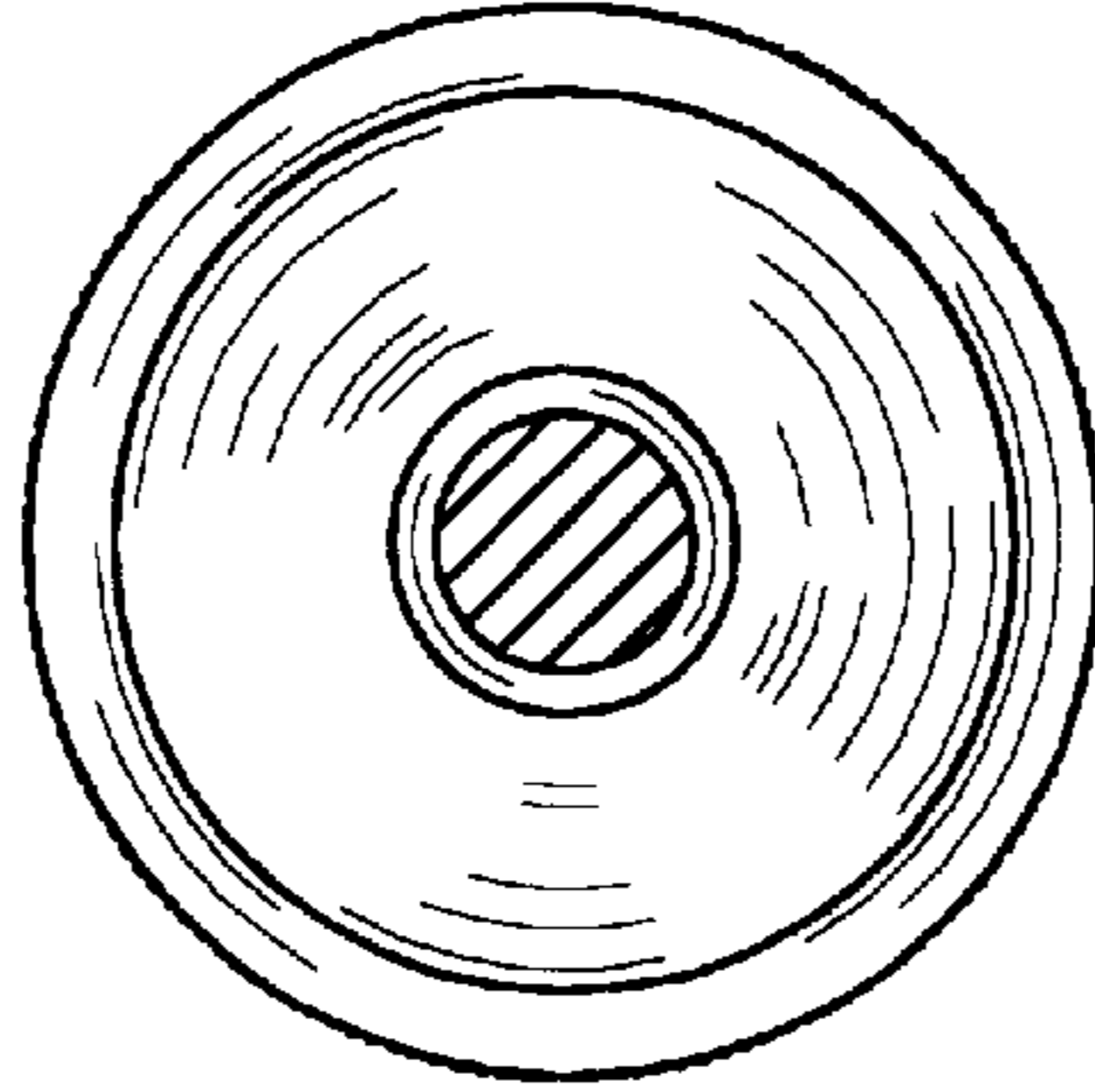


Fig. 3

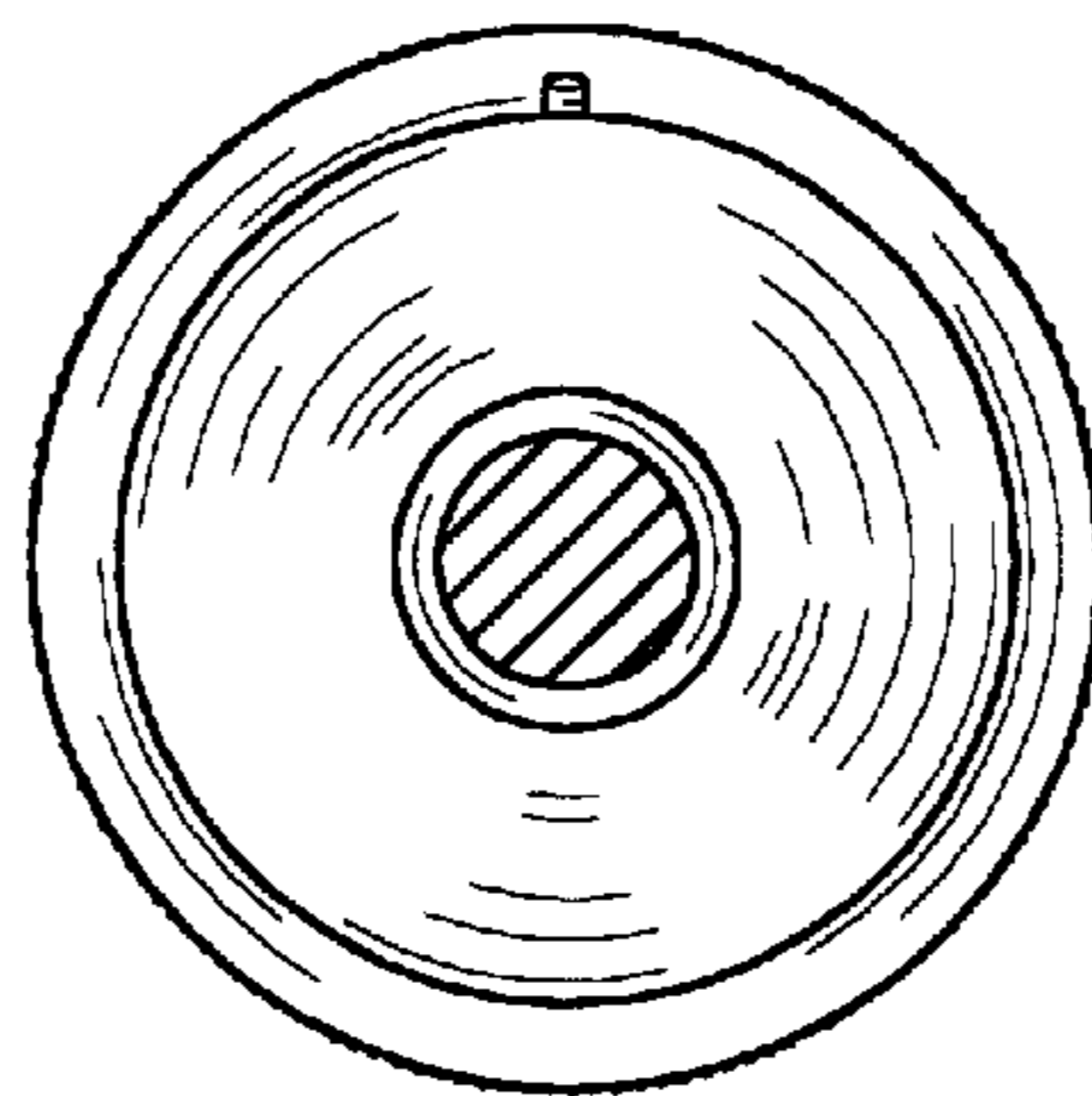


Fig. 4

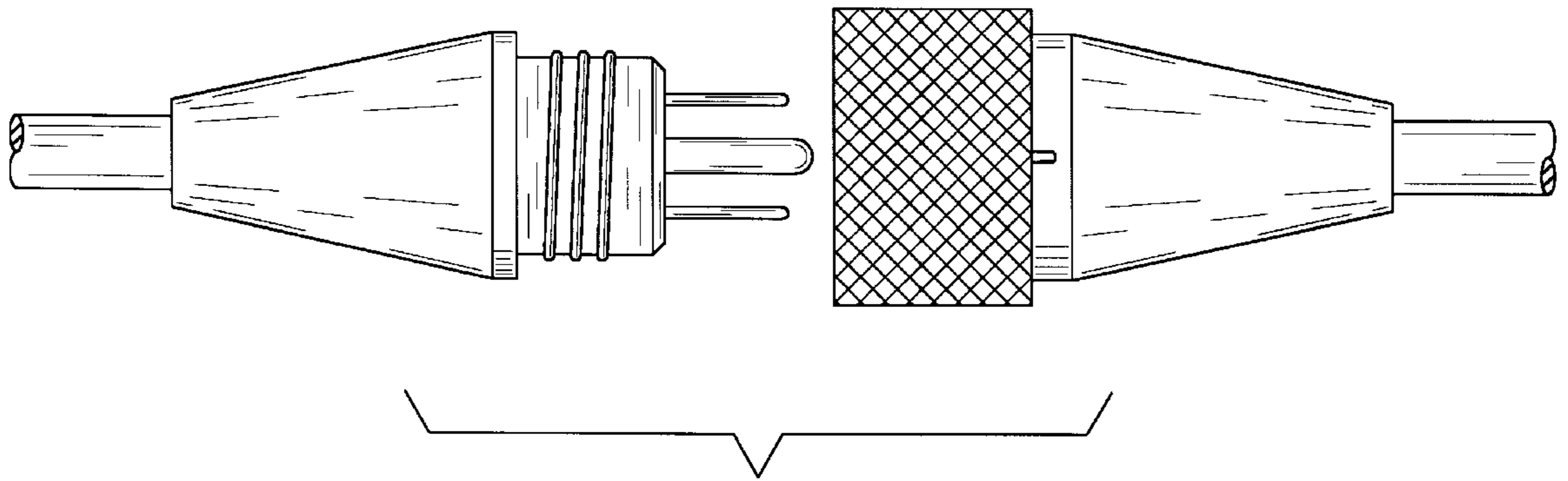


Fig. 5

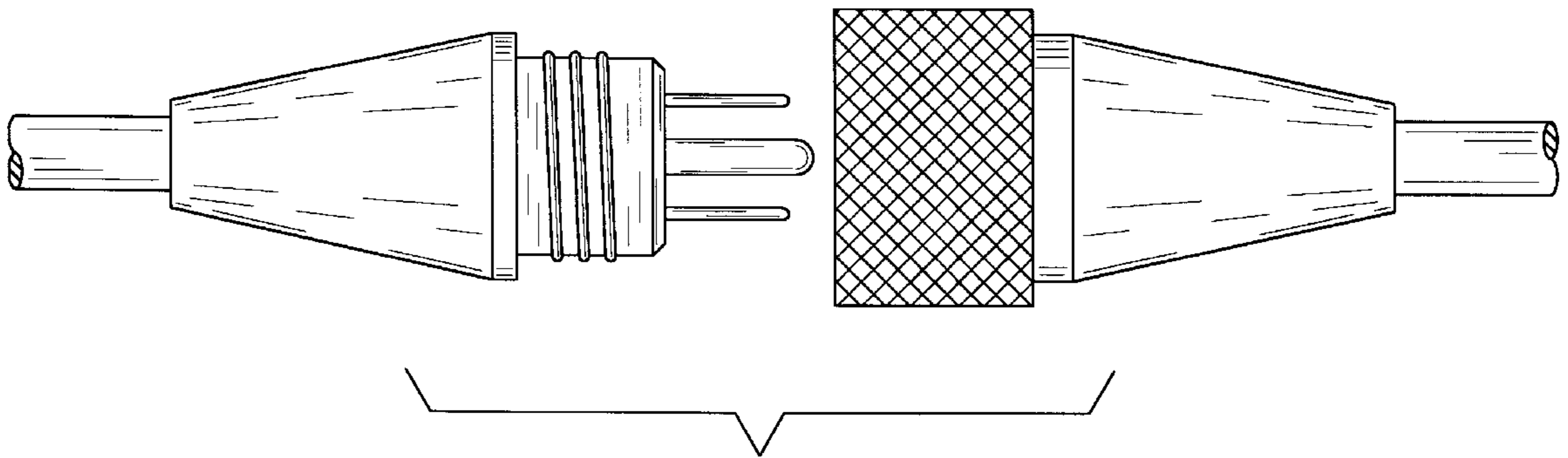


Fig. 6

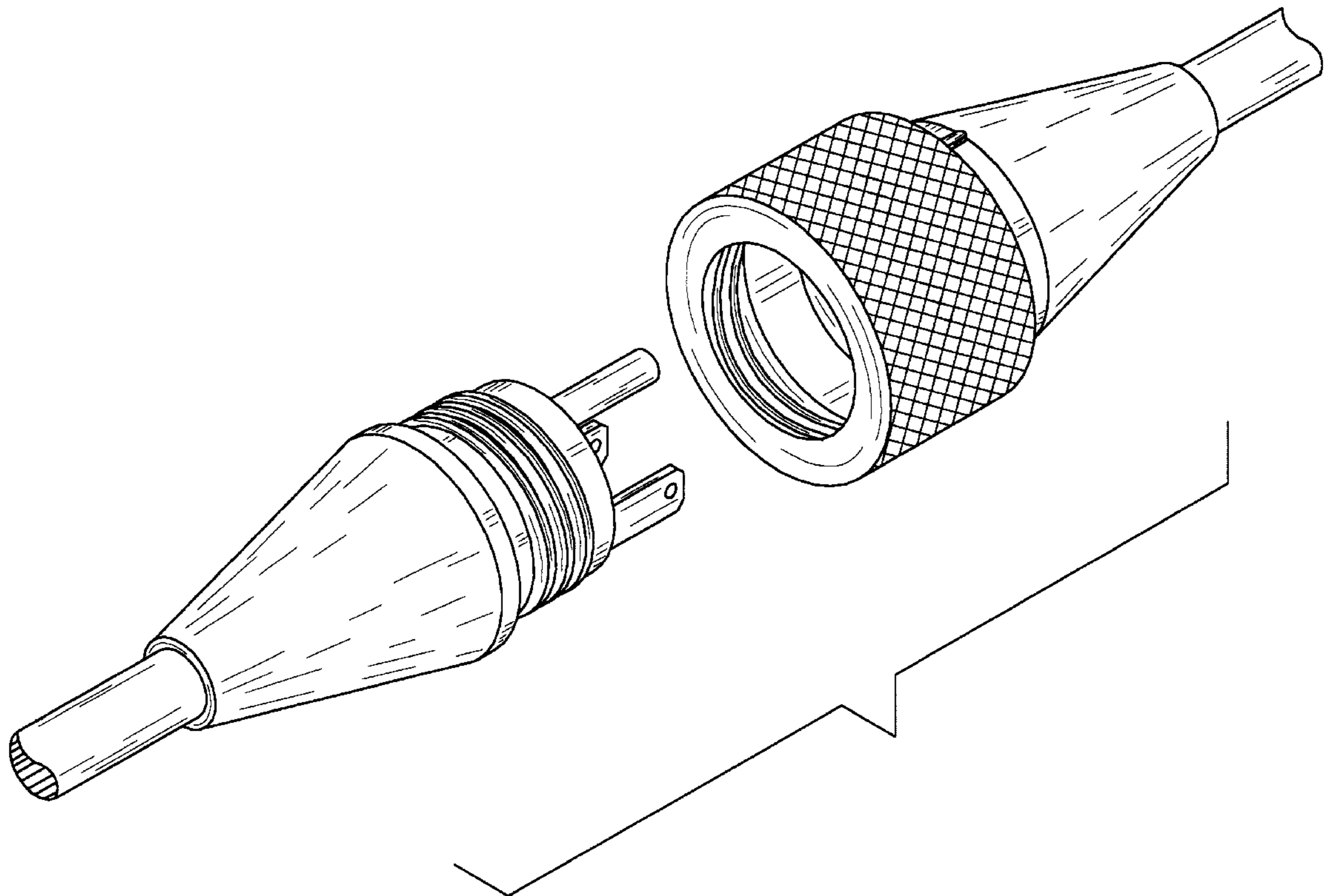


Fig. 7