



US00D404007S

United States Patent [19]

Shimizu et al.

[11] **Patent Number: Des. 404,007**

[45] **Date of Patent: **Jan. 12, 1999**

[54] **ELECTRONIC DEVICE**

[75] Inventors: **Hideo Shimizu; Hiroshi Yanaka; Hideki Kitamura**, all of Fujisawa, Japan

[73] Assignee: **Elna Kabushiki Kaisha**, Fujisawa, Japan

[**] Term: **14 Years**

[21] Appl. No.: **63,862**

[22] Filed: **Dec. 17, 1996**

[30] Foreign Application Priority Data

Jun. 25, 1996 [JP] Japan 8-18787

[51] **LOC (6) Cl.** **13-01**

[52] **U.S. Cl.** **D13/125**

[58] **Field of Search** D13/125; 29/25.03; 361/523, 528, 533, 535, 540

[56] References Cited

U.S. PATENT DOCUMENTS

D. 340,692 10/1993 Iijima et al. D13/125

D. 353,575 12/1994 Macomber D13/125
D. 392,253 3/1998 Kurihara et al. D13/125
4,097,916 6/1978 Piper 361/540

Primary Examiner—Brian N. Vinson
Attorney, Agent, or Firm—Kanesaka & Takeuchi

[57] CLAIM

The ornamental design for an electronic device, as shown and described.

DESCRIPTION

FIG. 1 is a front view of an electronic device showing our new design;
FIG. 2 is a rear view thereof;
FIG. 3 is a top plan view thereof;
FIG. 4 is a bottom plan view thereof;
FIG. 5 is a right side view thereof with a left side view appearing as mirror image to the right side view;
FIG. 6 is a cross sectional view taken along line 6—6 in FIG. 1 with the interior construction thereof being omitted;
FIG. 7 is a cross sectional view taken along line 7—7 in FIG. 5 with the interior construction thereof being omitted; and
FIG. 8 is a perspective view from a view point at the right and above the electronic device.

1 Claim, 2 Drawing Sheets

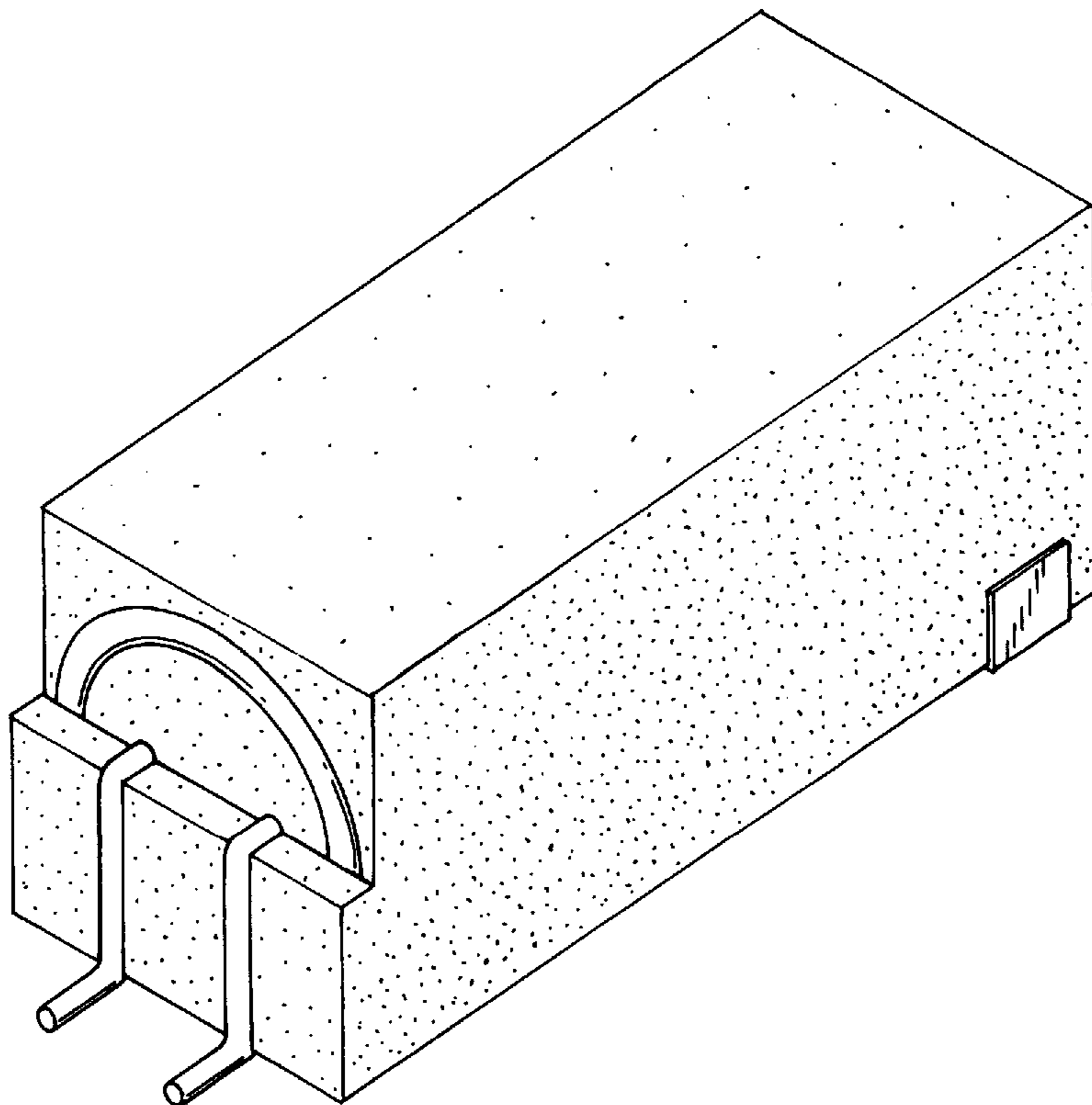
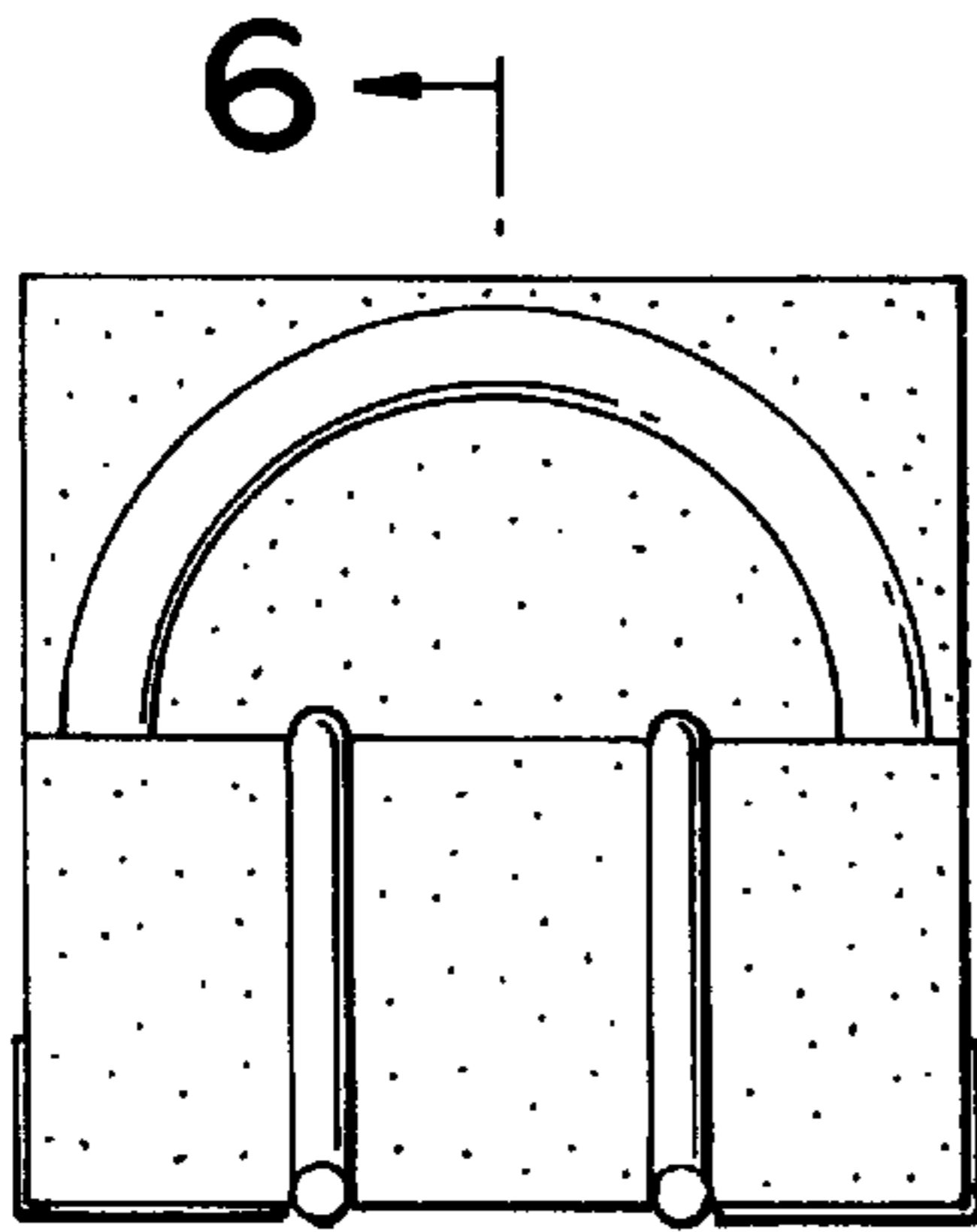


FIG. 1



6

FIG. 2

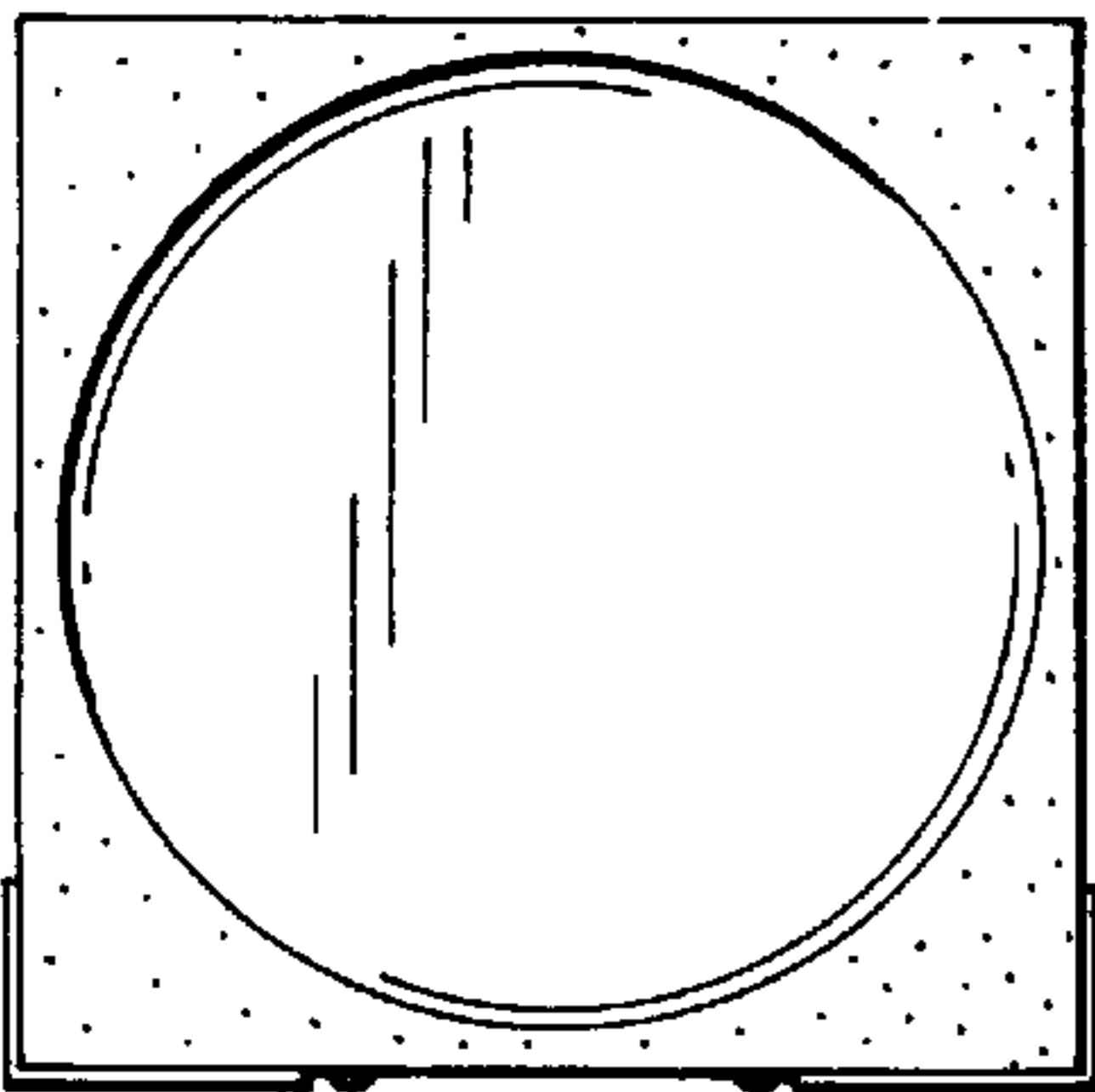


FIG. 3

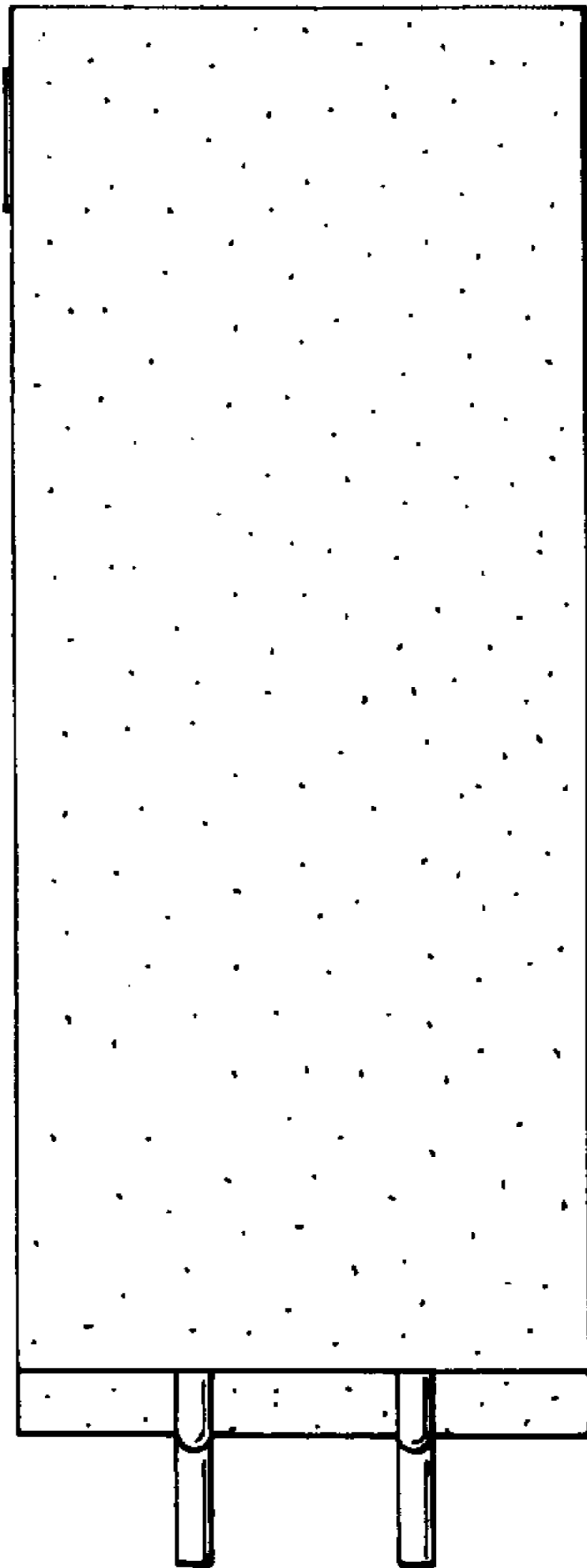


FIG. 4

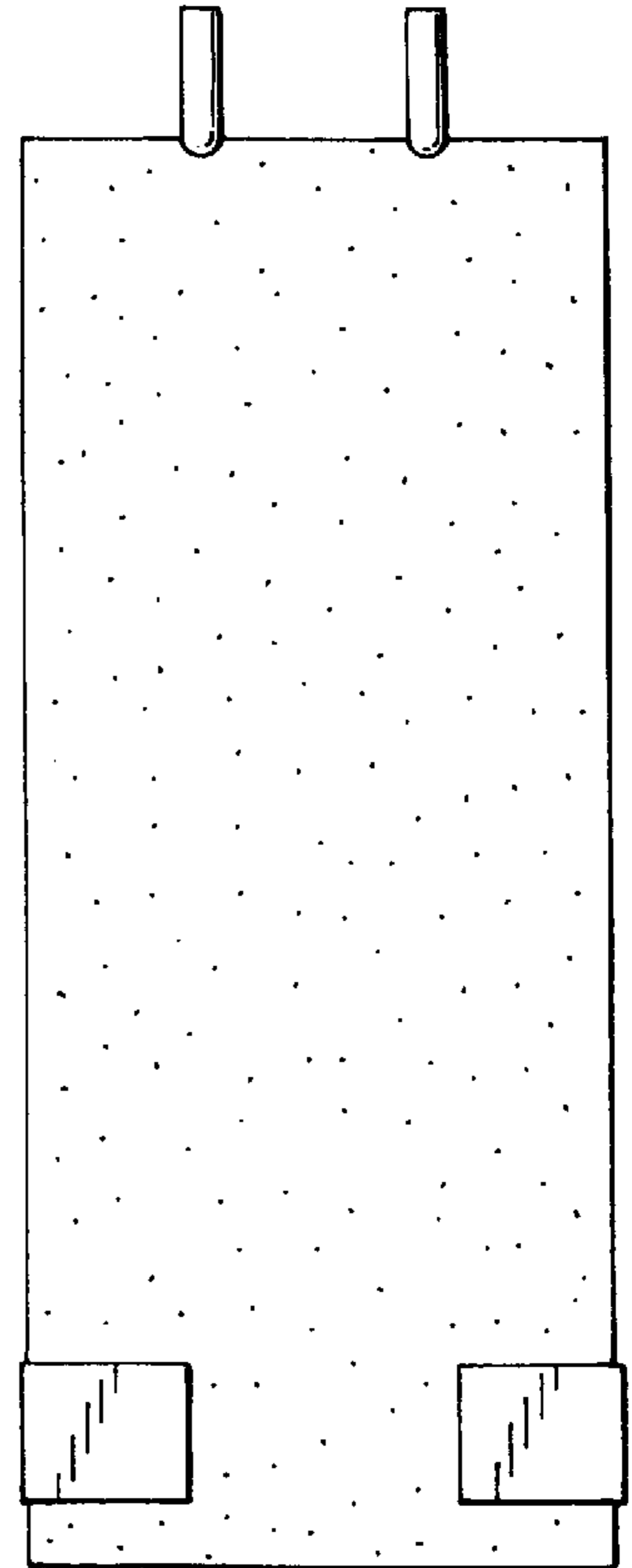


FIG. 5

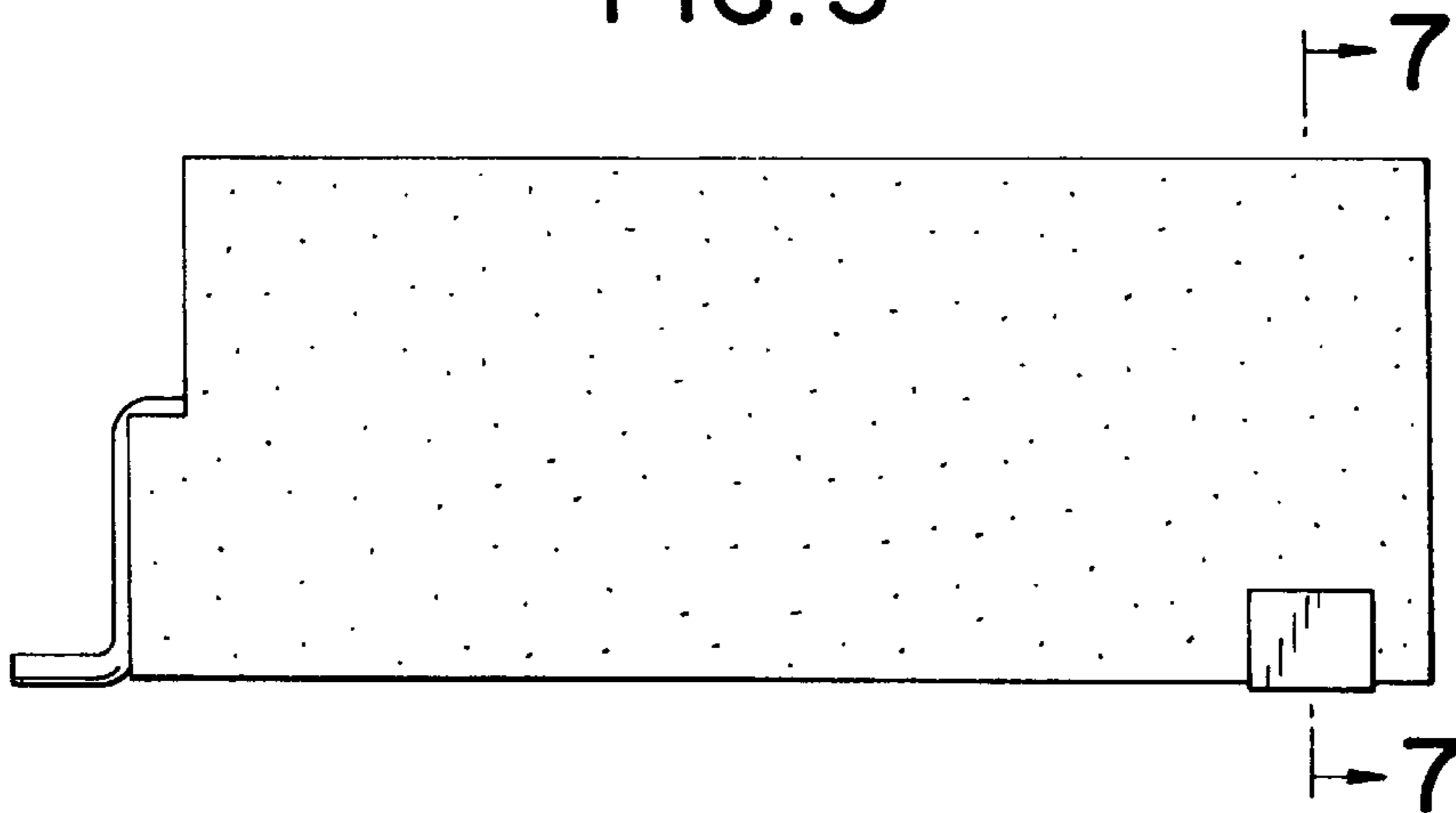


FIG. 6

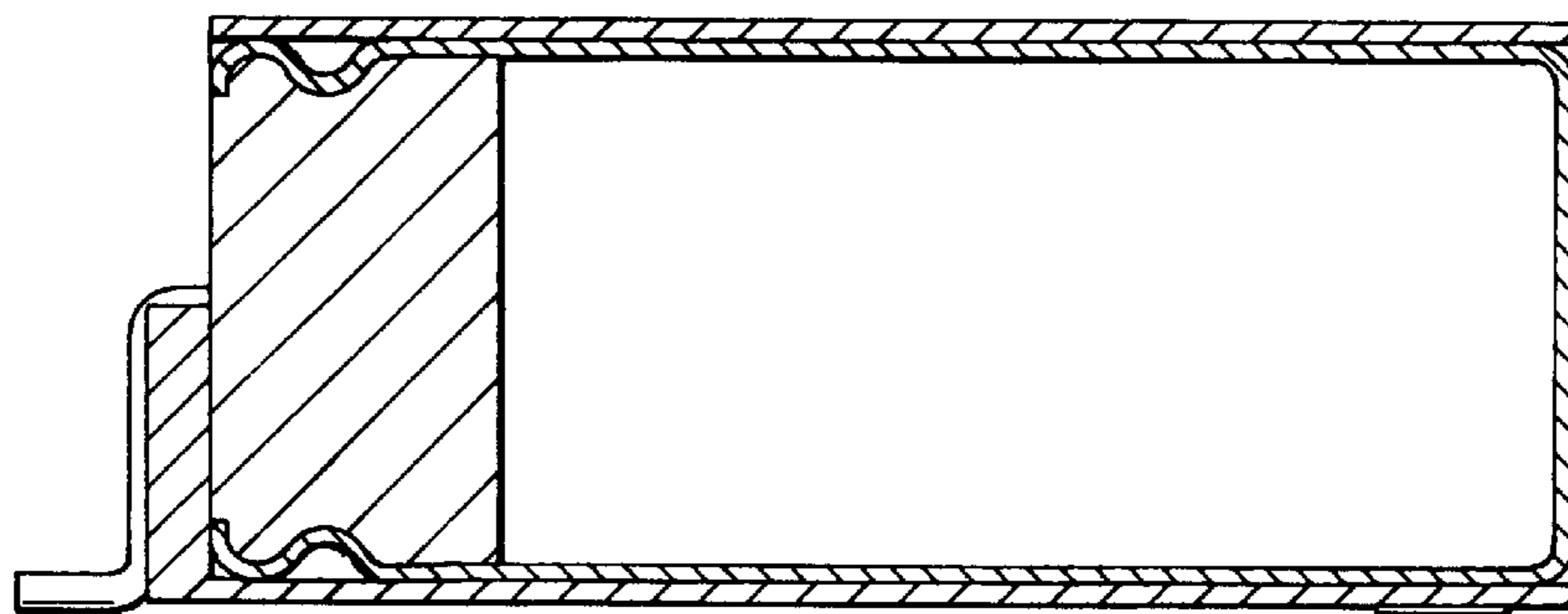


FIG. 7

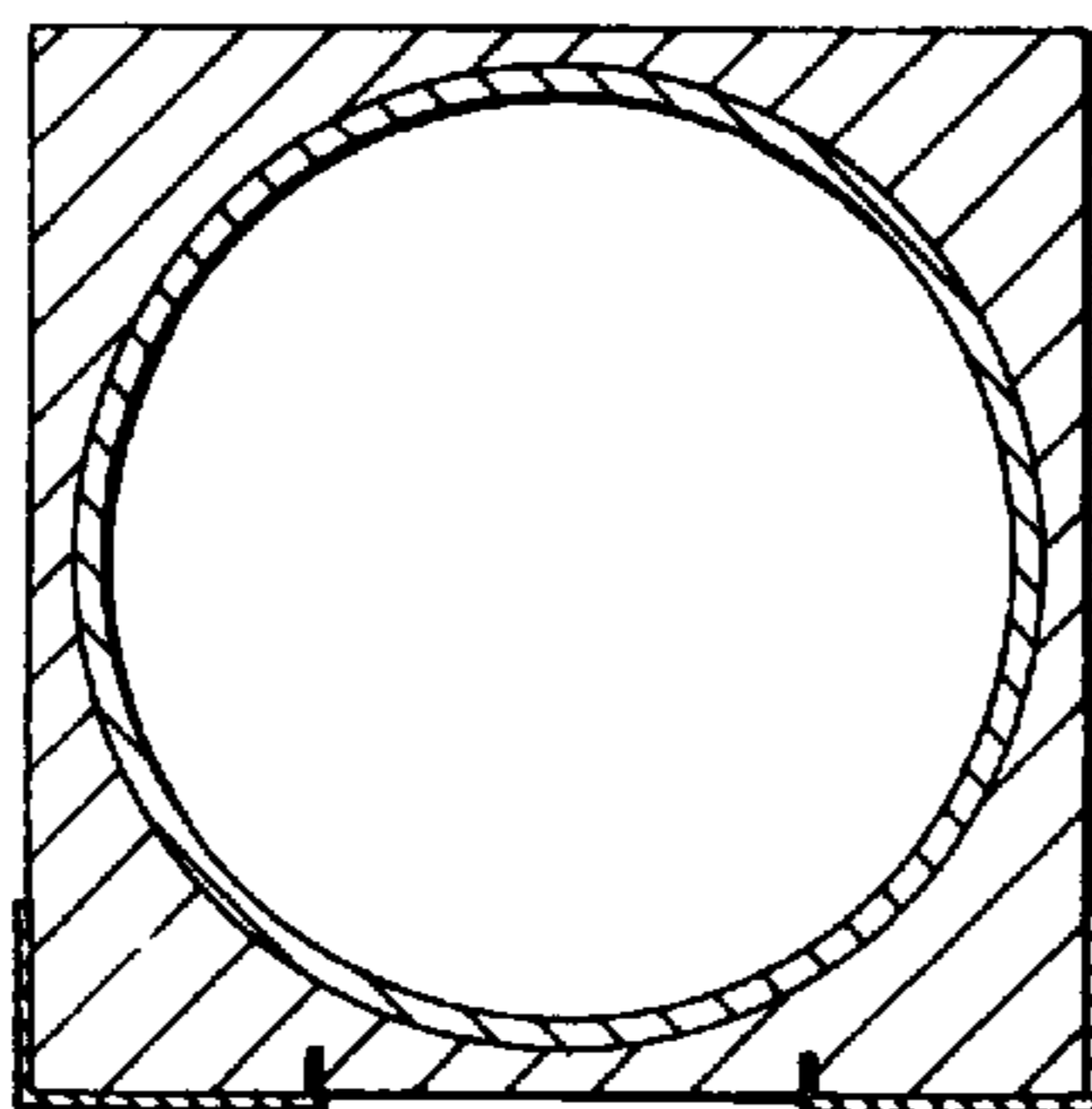


FIG. 8

