



US00D404006S

United States Patent [19] Clowers et al.

[11] Patent Number: Des. 404,006

[45] Date of Patent: **Jan. 12, 1999

[54] **TOOL BATTERY CHARGER**

[75] Inventors: **Earl Clowers; Mark A. Etter**, both of Jackson, Tenn.

[73] Assignee: **Porter-Cable Corporation**, Jackson, Tenn.

[**] Term: **14 Years**

[21] Appl. No.: **73,128**

[22] Filed: **Jul. 1, 1997**

[51] **LOC (6) Cl.** **13-02**

[52] **U.S. Cl.** **D13/107**

[58] **Field of Search** D13/107, 108, D13/118; 320/110-115

[56] **References Cited**

U.S. PATENT DOCUMENTS

D. 313,004	12/1990	Hasegawa et al.	D13/108
D. 321,337	11/1991	Sakamoto et al.	D13/108
D. 327,669	7/1992	Sakamoto et al.	D13/108
4,829,226	5/1989	Nakamura et al.	320/112
5,065,082	11/1991	Fushiya	320/110
5,148,094	9/1992	Parks et al.	320/110
5,406,187	4/1995	Harrison	320/113

OTHER PUBLICATIONS

Milwaukee Super Charger on p. 57 of New Equipment Digest, Jul. 1990.

Battery Chargers on Makita catalog page, Dec. 1992.

“1995 Tool On Sale”, p. 10 Models Makita 6211DW and Makita 6311DW.

“1995 Tools On Sale”, p. 11, Models Porter Cable 9840, Porter Cable 9853 and Hitachi D10DFK.

“1995 Tool On Sale”, p. 12, Model Ryobi TFD 222VRK.

“1995 Tools On Sale”, p. 13, Model Milwaukee 0406-1.

“1995 Tools On Sale”, p. 14, Model Milwaukee 0422-1.

“1995 Tools On Sale”, p. 15, Model Bosch 3053VSRK.

“1995 Tools On Sale”, p. 16, Model AEG ABSE15S.

(List continued on next page.)

Primary Examiner—Joel Sincavage

Attorney, Agent, or Firm—Merchant, Gould, Smith, Edell, Welter & Schmidt, P.A.

[57] **CLAIM**

The ornamental design for a tool battery charger, as shown and described.

DESCRIPTION

FIG. 1 is a front top and right side perspective view of a first embodiment of a power tool battery charger;

FIG. 2 is a bottom rear and left side perspective view of the battery charger shown in FIG. 1;

FIG. 3 is right elevational view the battery charger shown in FIG. 1;

FIG. 4 is a left elevational view of the battery charger shown in FIG. 1;

FIG. 5 is a rear elevational view of the battery charger shown in FIG. 1;

FIG. 6 is a front elevational view of the battery charger shown in FIG. 1;

FIG. 7 is a top plan view of the battery charger shown in FIG. 1;

FIG. 8 is a bottom plan view of the battery charger shown in FIG. 1;

FIG. 9 is a front top and left side perspective view of a second embodiment of a power tool battery charger;

FIG. 10 is a rear bottom and left side perspective view of the battery charger shown in FIG. 9;

FIG. 11 is right elevational view of the battery charger shown in FIG. 9;

FIG. 12 is a left elevational view of the battery charger shown in FIG. 9;

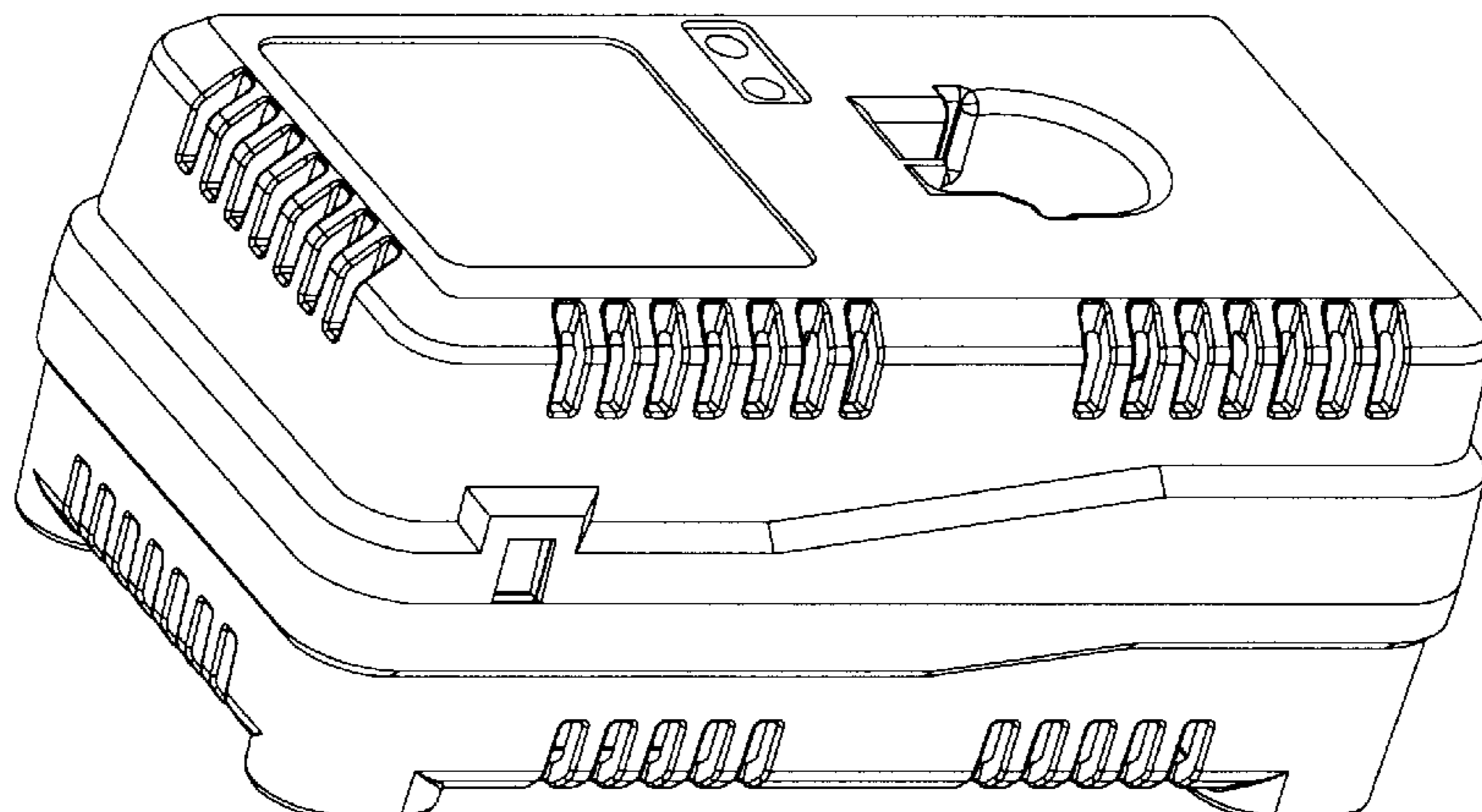
FIG. 13 is a rear elevational view of the battery charger shown in FIG. 9;

FIG. 14 is a front elevational view of the battery charger shown in FIG. 9;

FIG. 15 is a top plan view of the battery charger shown in FIG. 9; and,

FIG. 16 is a bottom plan view of the battery charger shown in FIG. 9.

1 Claim, 8 Drawing Sheets



OTHER PUBLICATIONS

“1995 Tools On Sale”, p. 17, DEWALT Models DW944K-2, DW962K-2, DW952K, DW967K, DW945K-2, DW953K, and DW972K-2.

“1995 Tools On Sale”, p. 18, DEWALT Models DW979K, DW976K, DW977K; DW978K, DW991K, and DW996K.

“1995 Tools On Sale”, p. 19, Panasonic Model EY62821DKW.

“1995 Tools On Sale”, p. 20, Panasonic Models EY6100CRKW, EY6100EQK, EY6100CQKW, EY6205EQK, and EY6207EQK.

“DeWALT High Performance Industrial Tools & Accessories”, 1995 Power Tools & Accessories Catalog, p. 6, DeWALT Model DW942R.

“DeWALT High Performance Industrial Tools & Accessories”, 1995 Power Tools & Accessories Catalog, p. 7, DeWALT Model DW9641K-2.

“DeWALT High Performance Industrial Tools & Accessories”, 1995 Power Tools & Accessories Catalog, p. 8, DeWalt Models DW964K-2 and DW971K-2.

“DeWALT High Performance Industrial Tools & Accessories”, 1995 Power Tools & Accessories Catalog, p. 9, DeWALT Model DW974KQ.

“DeWALT High Performance Industrial Tools & Accessories”, 1995 Power Tools & Accessories Catalog, p. 10, DeWALT Models DW994KQ and DW967K.

“DeWALT High Performance Industrial Tools & Accessories”, 1995 Power Tools & Accessories Catalog, pp. 14-15, showing battery pack models DW9090, DW9105; DW9106, DW9115.

Freud® General Products Catalog, front outer and inner cover and p. 244 (1995).

Makita General Catalog, 1996-1997, front cover and p. 27.

Ryobi® Power Tools Outdoor Power Equipment Builders Hardware Catalog, Front and Back cover and p. 22 (1995).

Skil® Heavy Duty Power Tools & Accessories, Front and back covers, p. 15 and p. 64 (1995).

FIG. 1

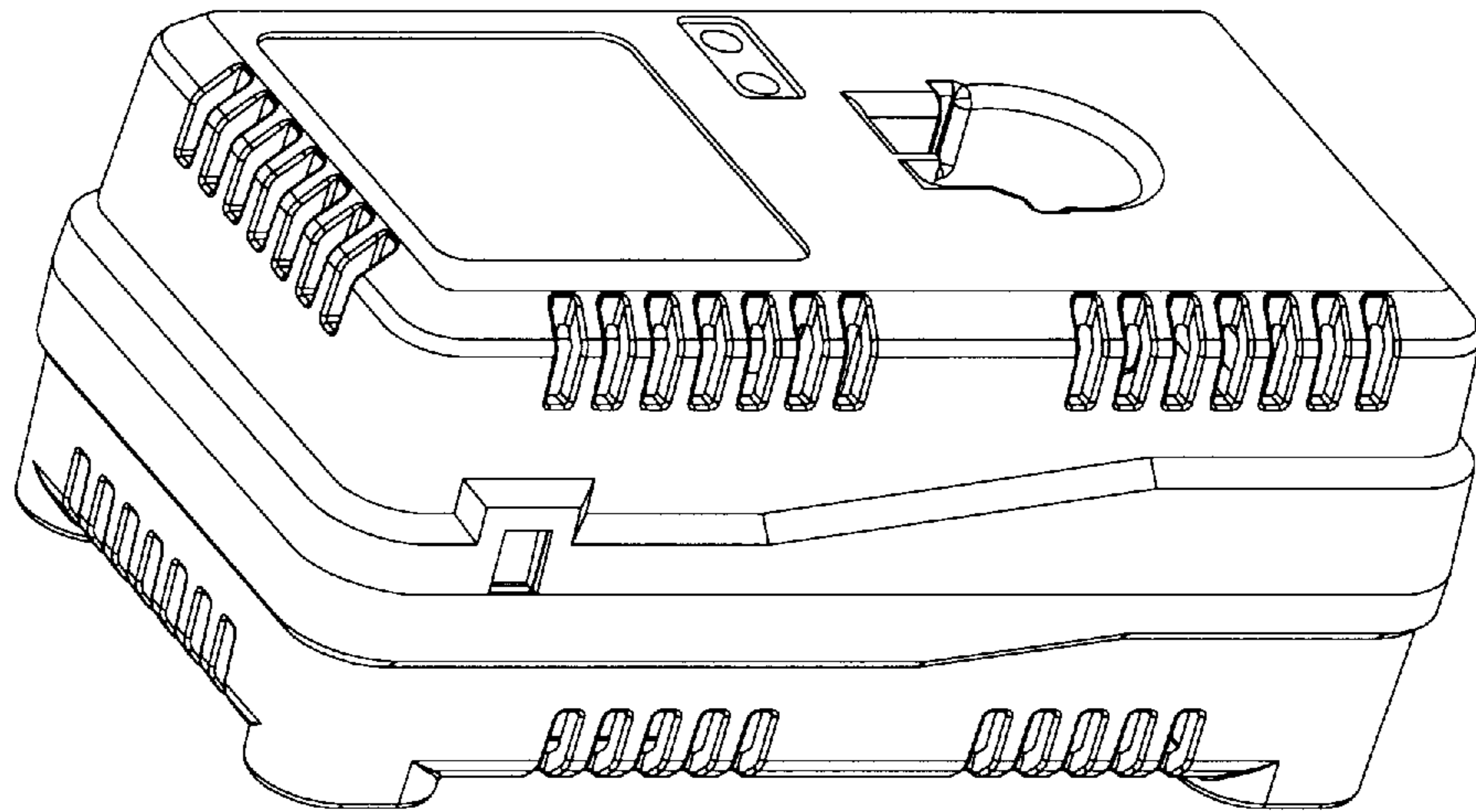


FIG. 2

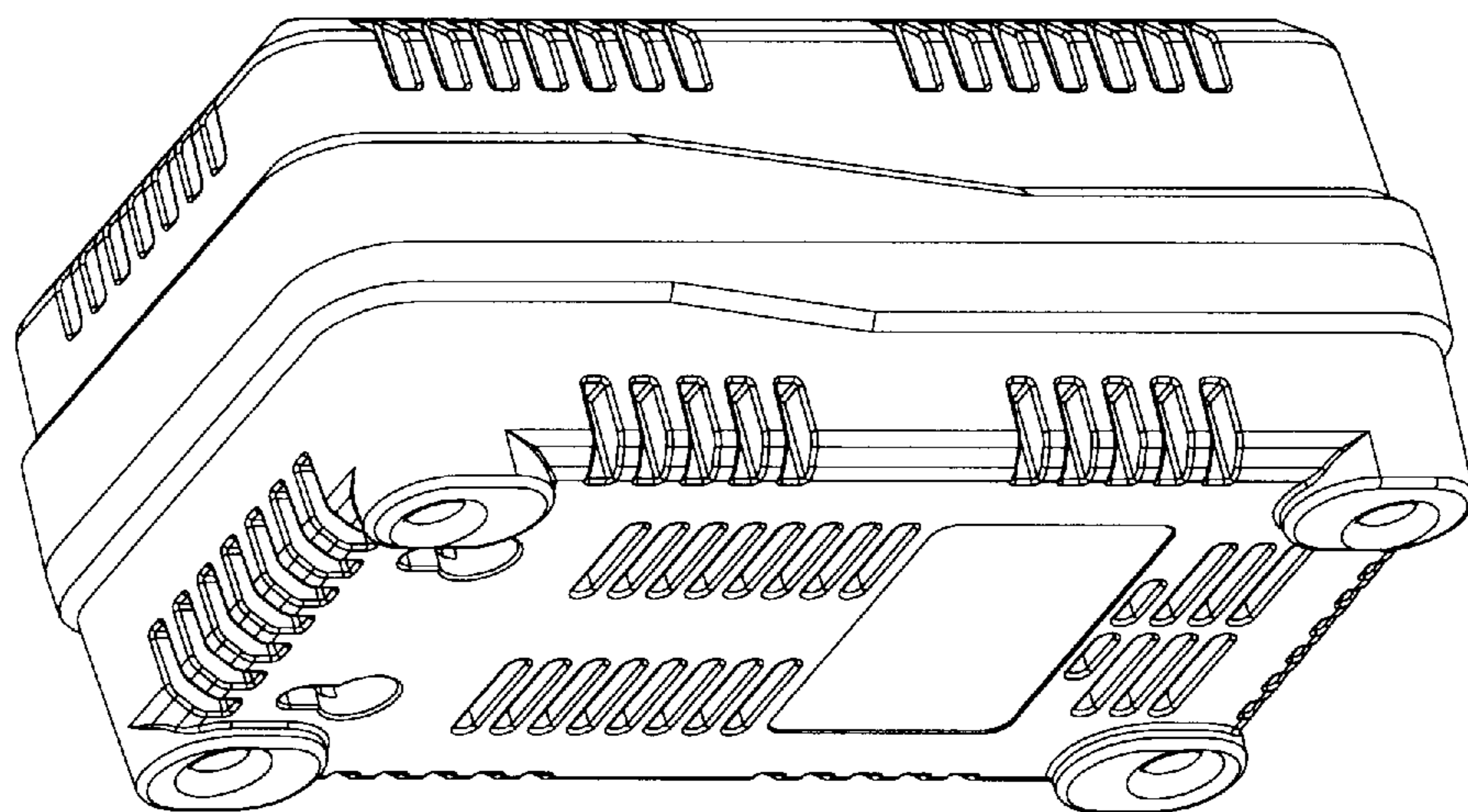


FIG. 3

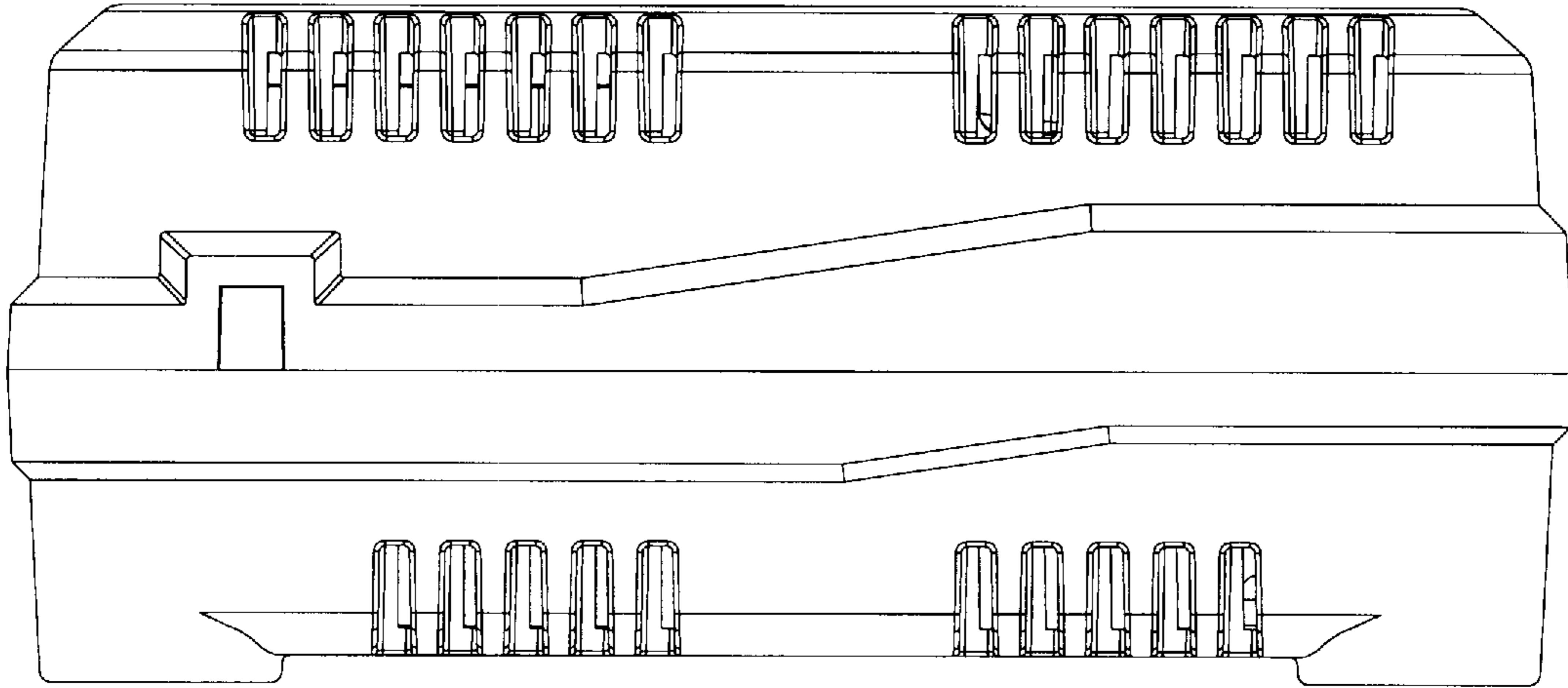


FIG. 4

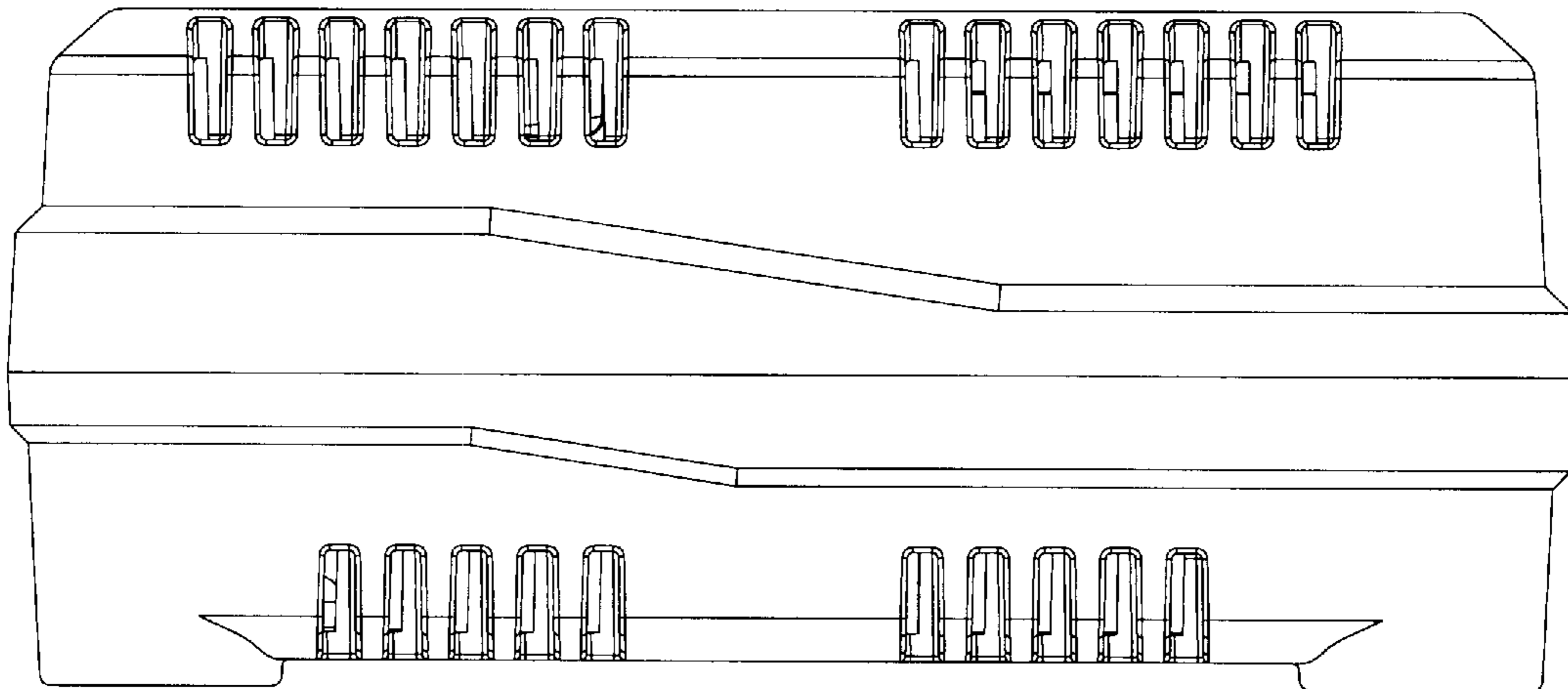


FIG. 5

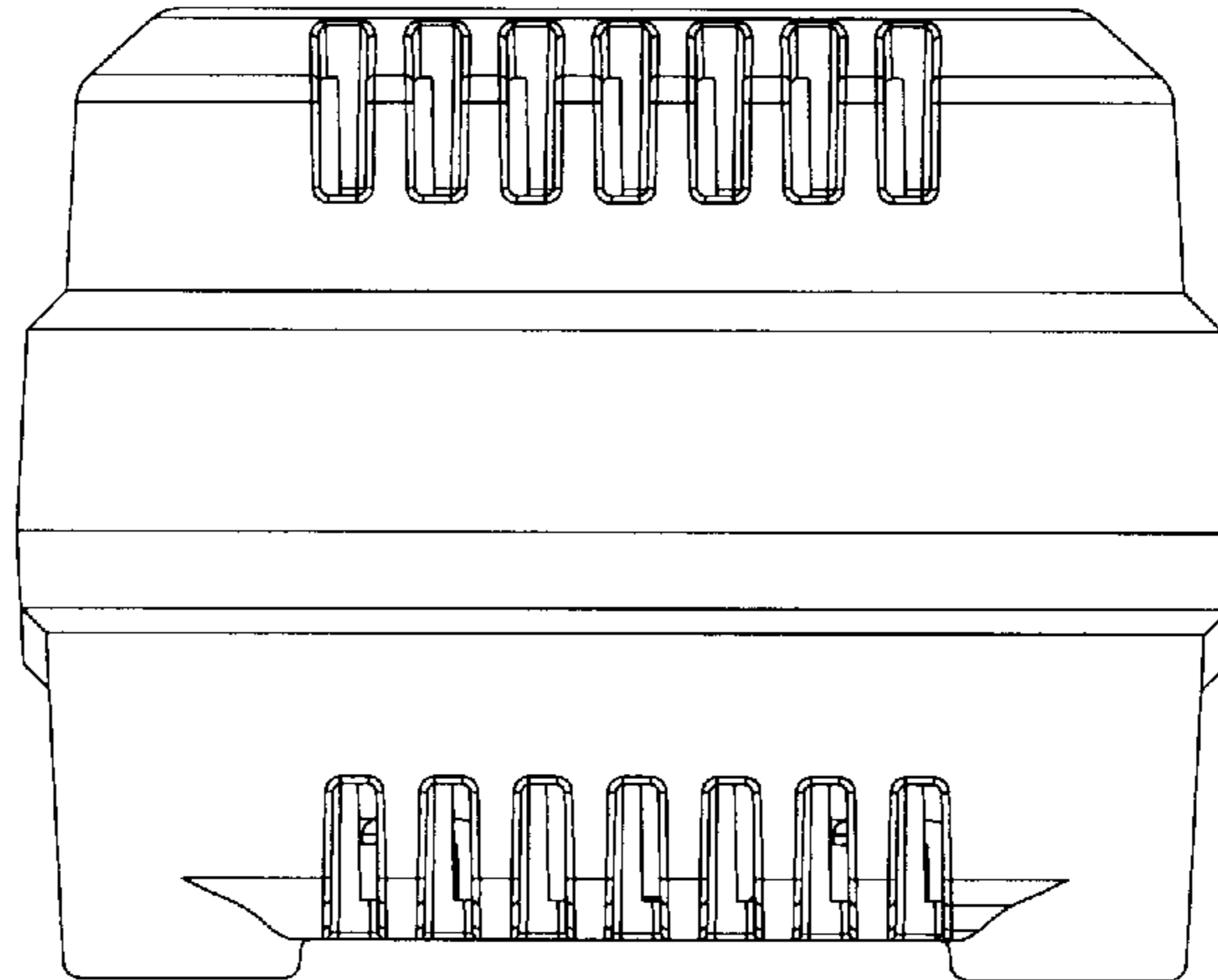


FIG. 6

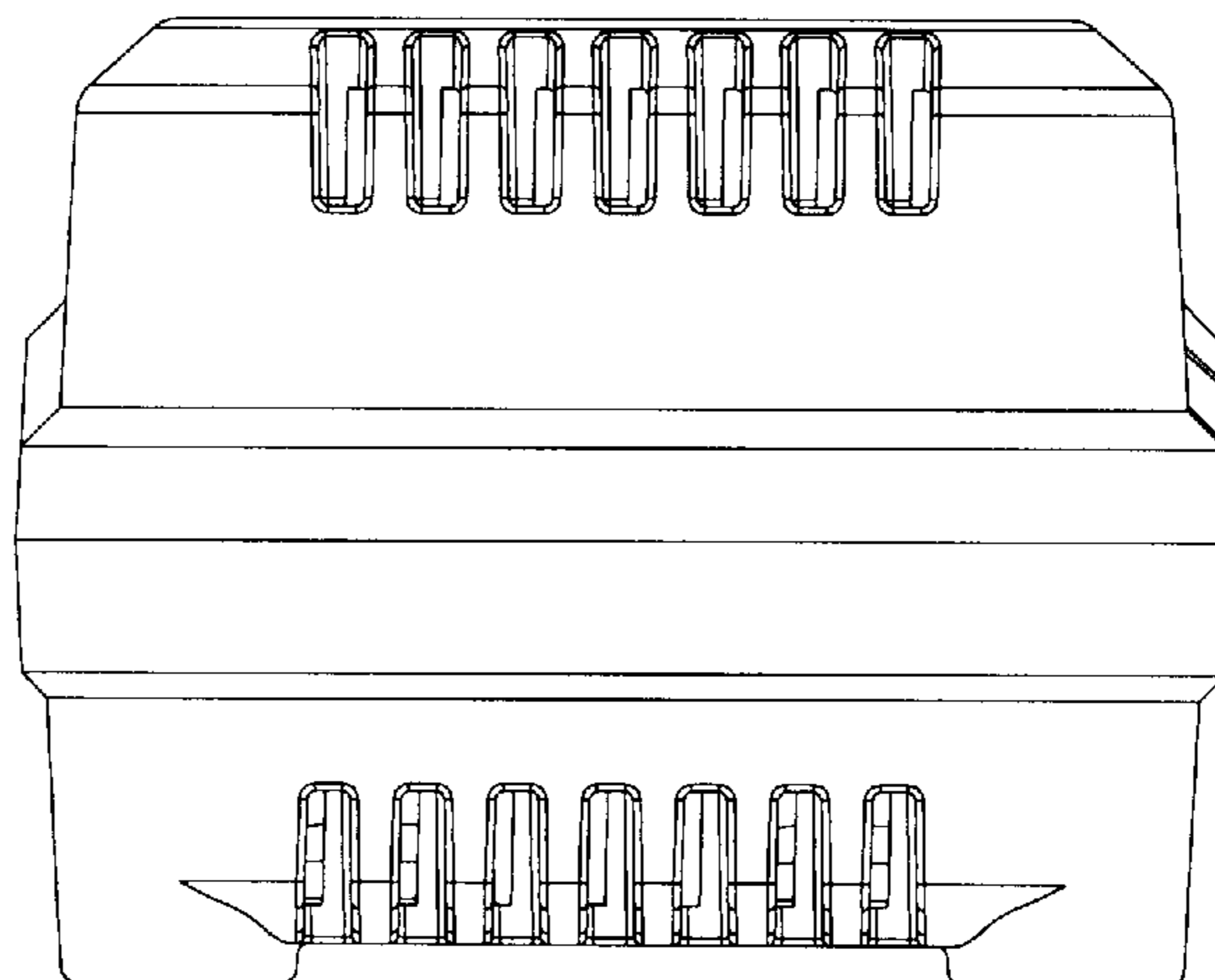


FIG. 7

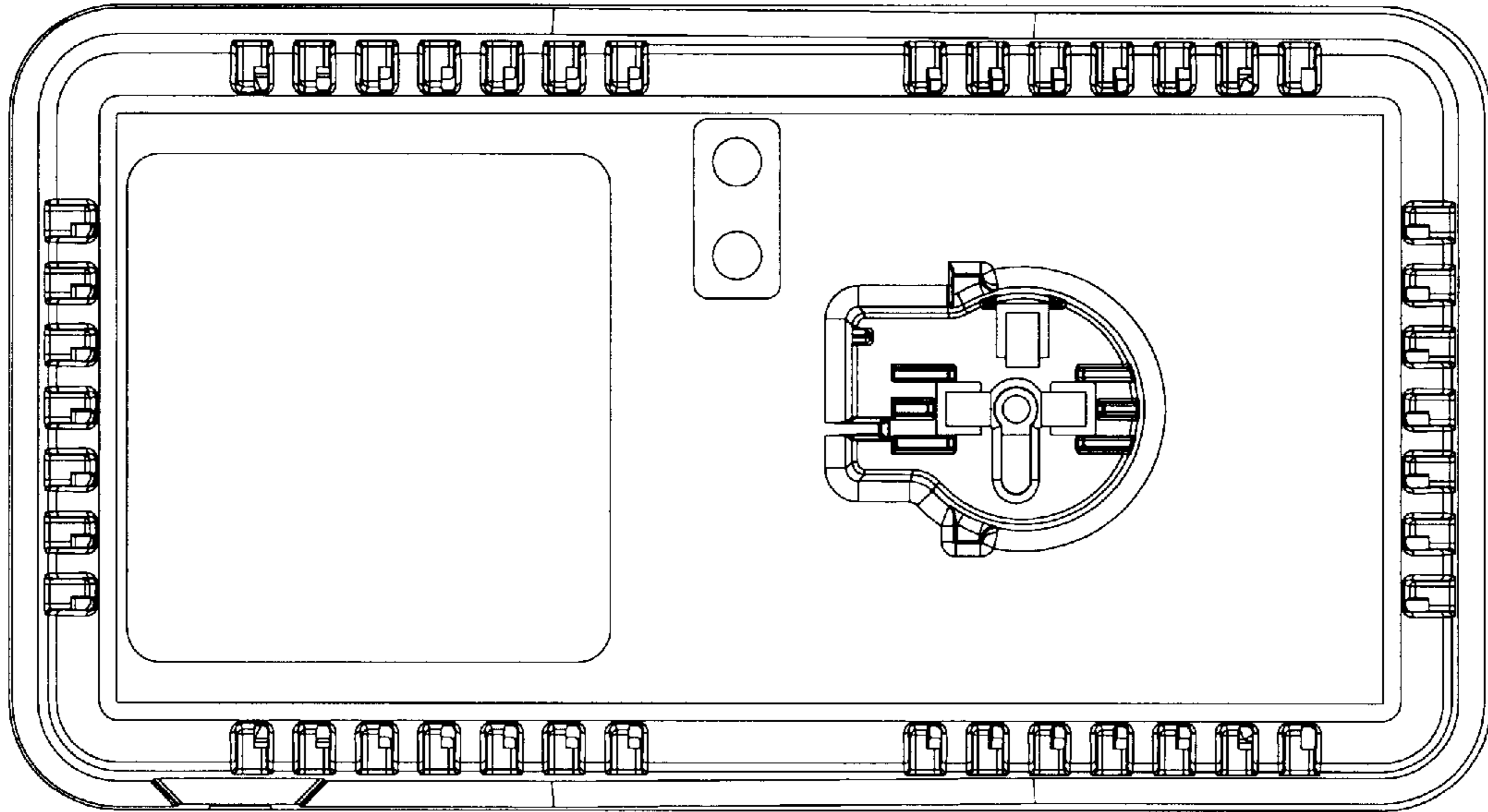


FIG. 8

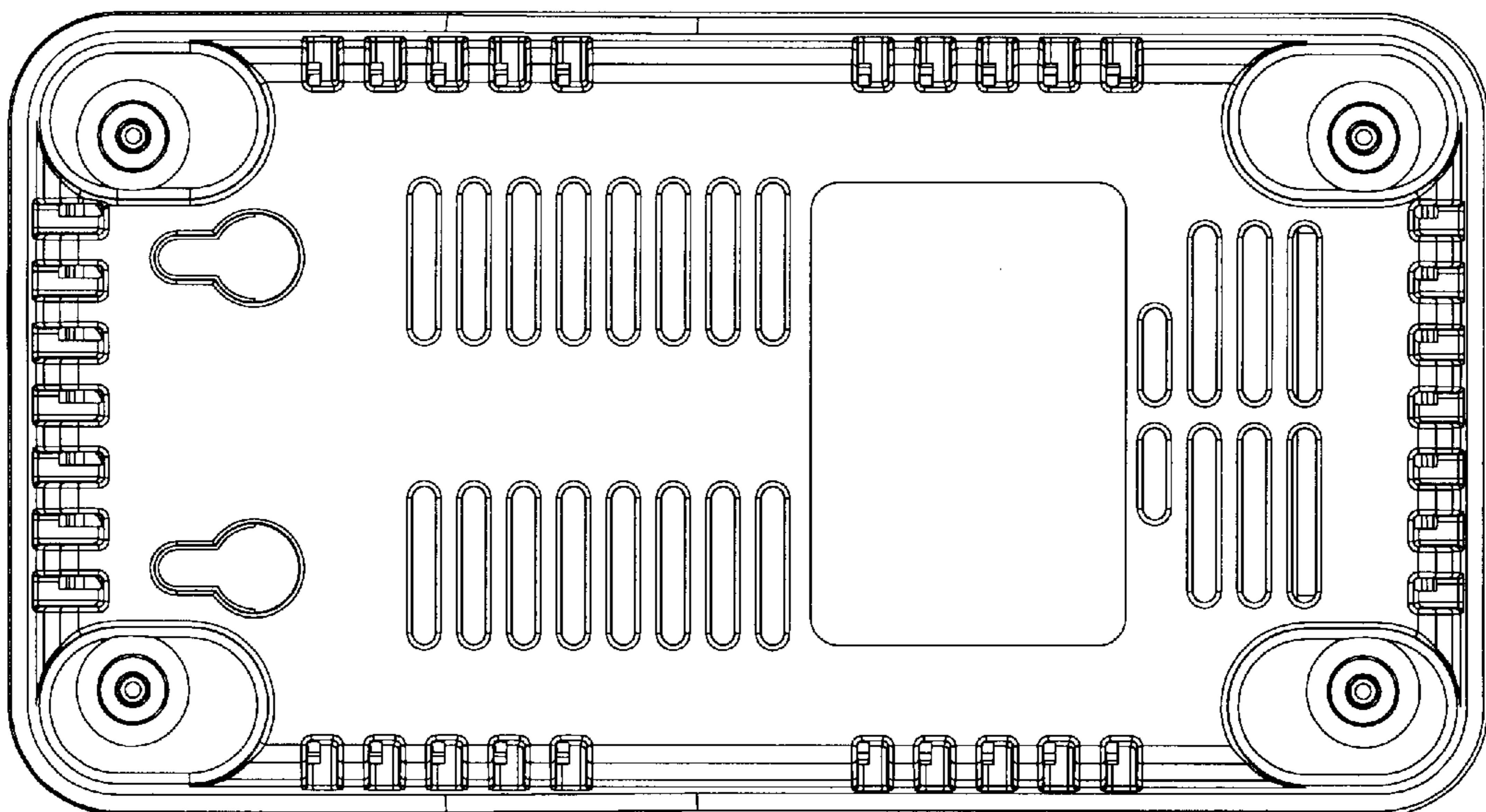


FIG. 9

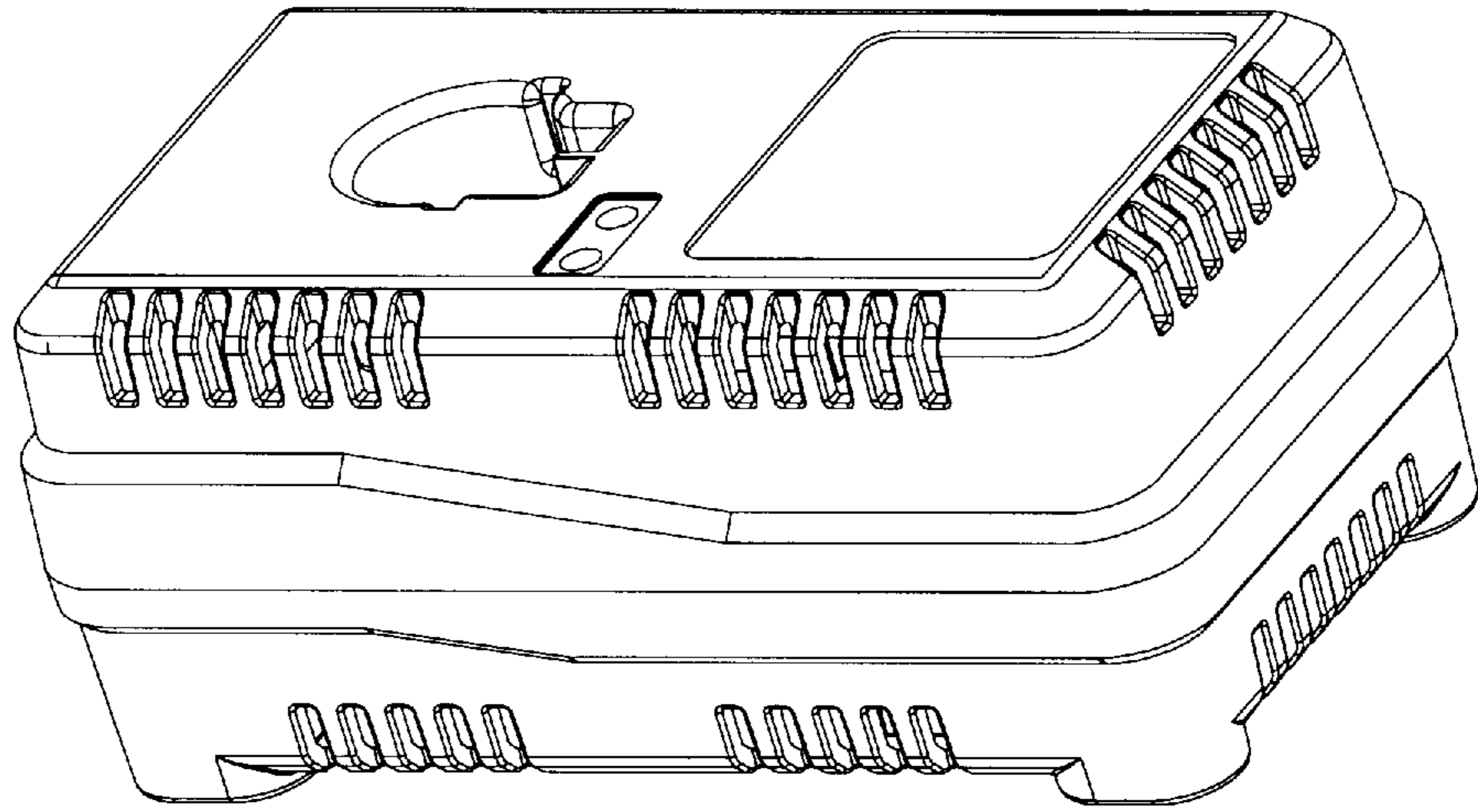


FIG. 10

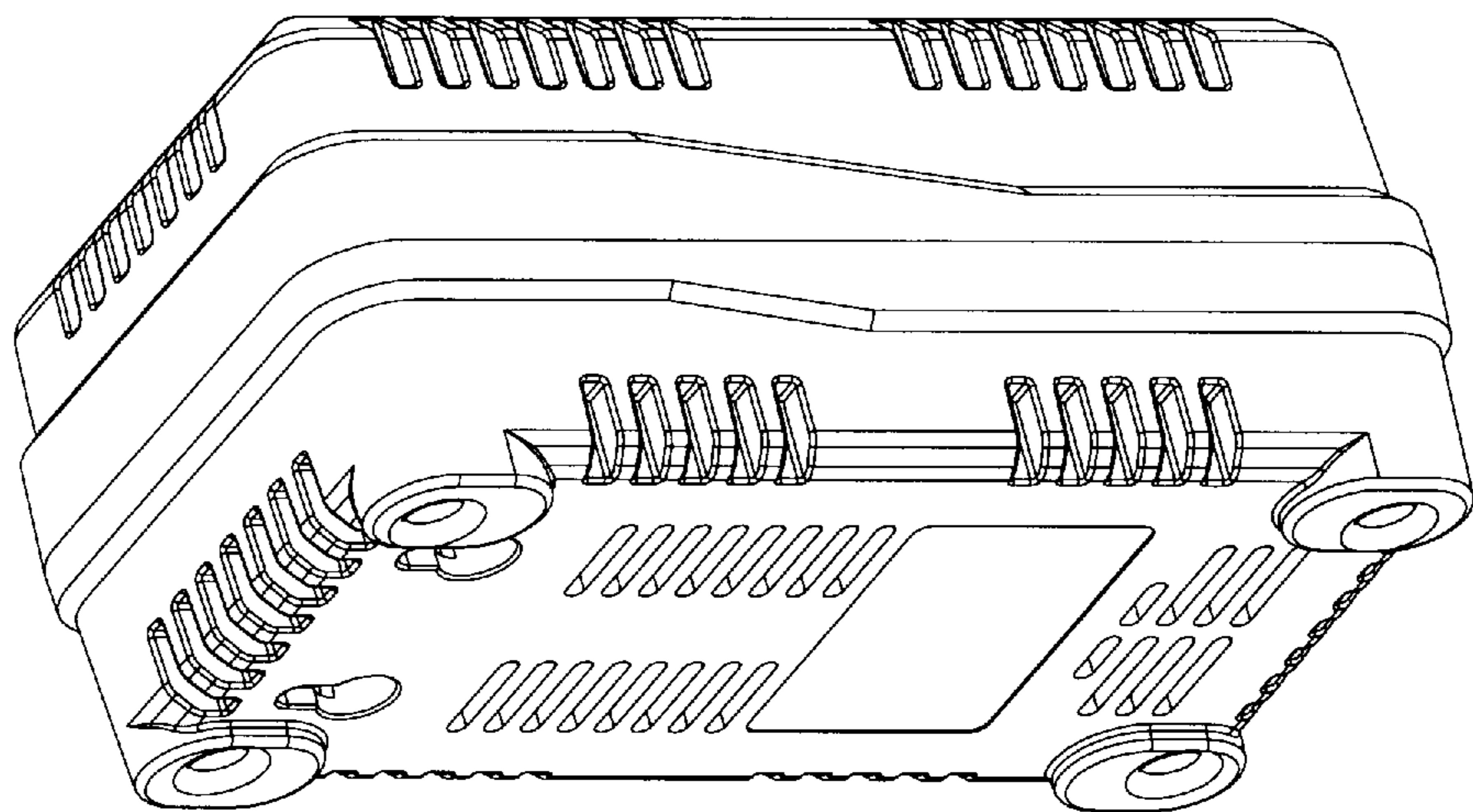


FIG. 11

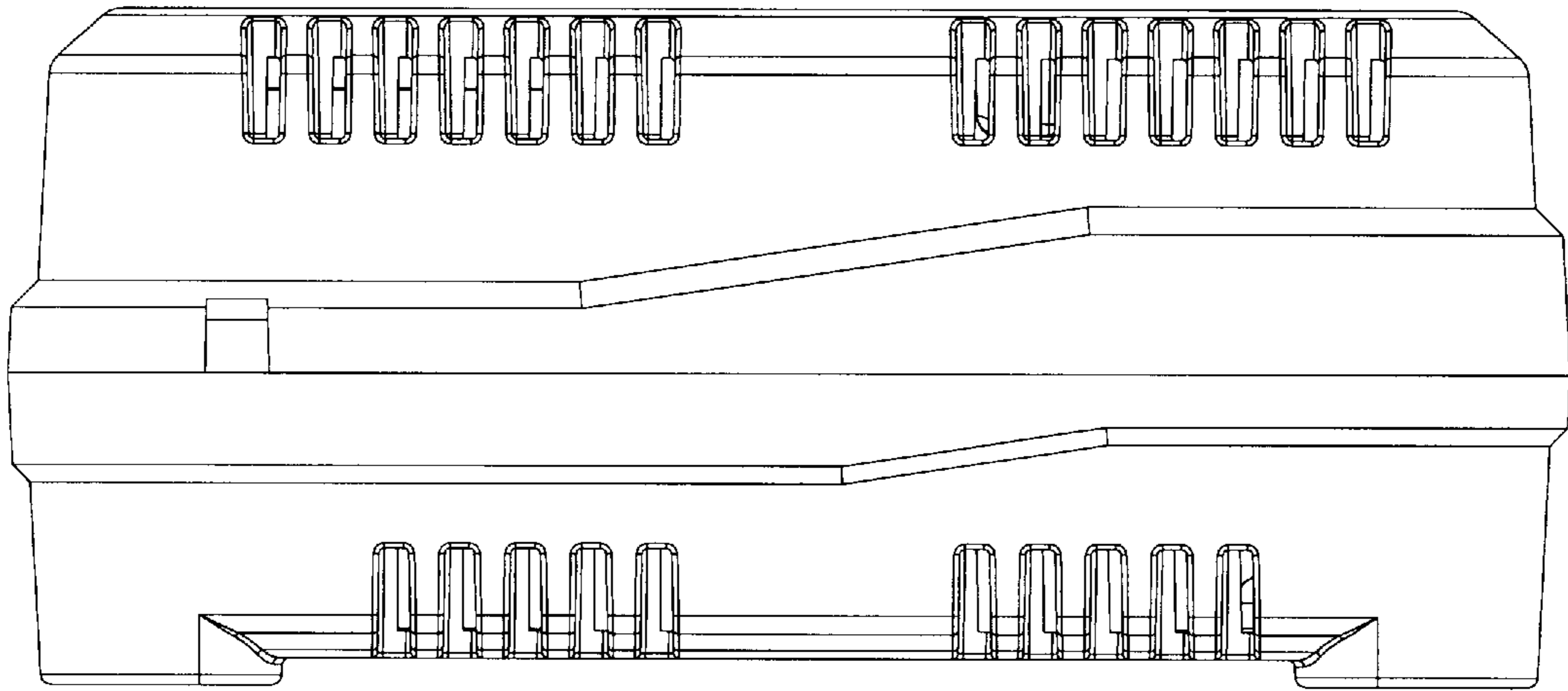


FIG. 12

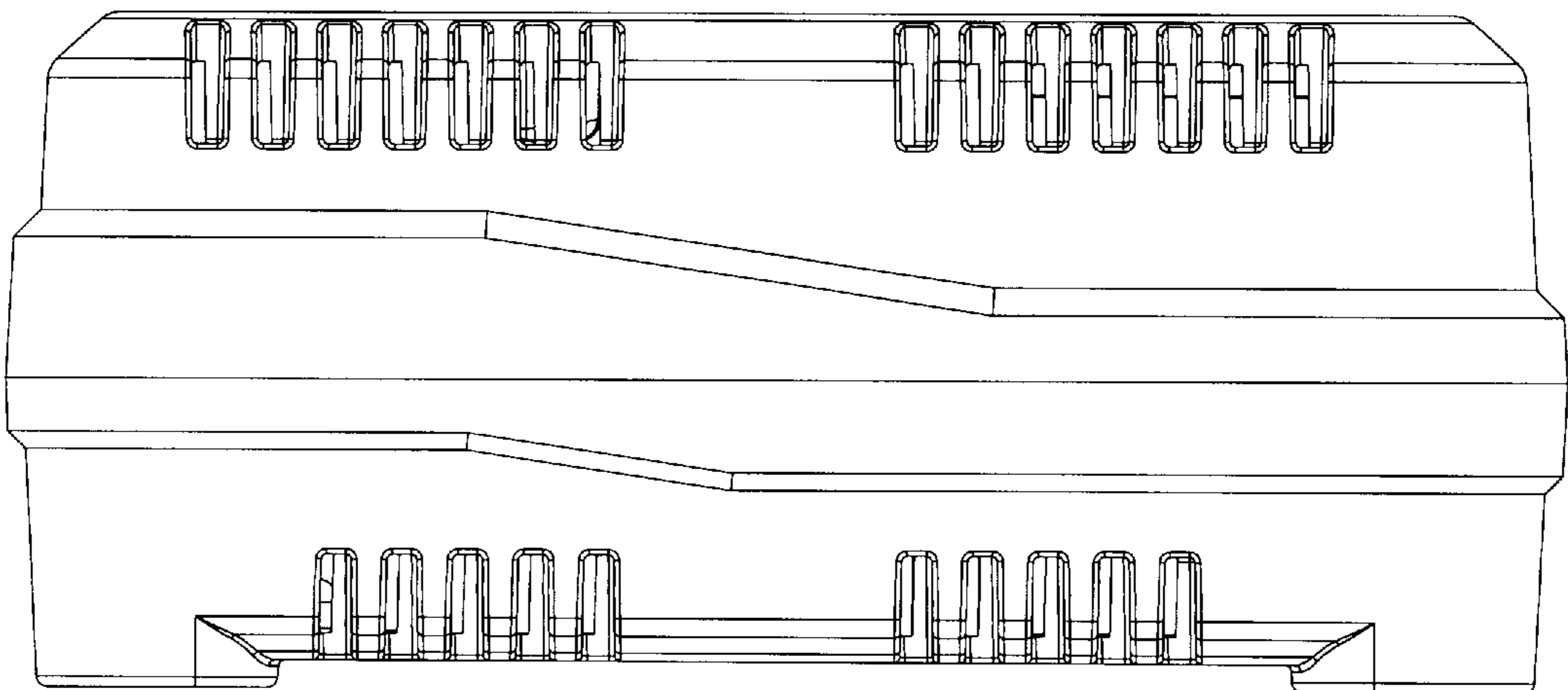


FIG. 13

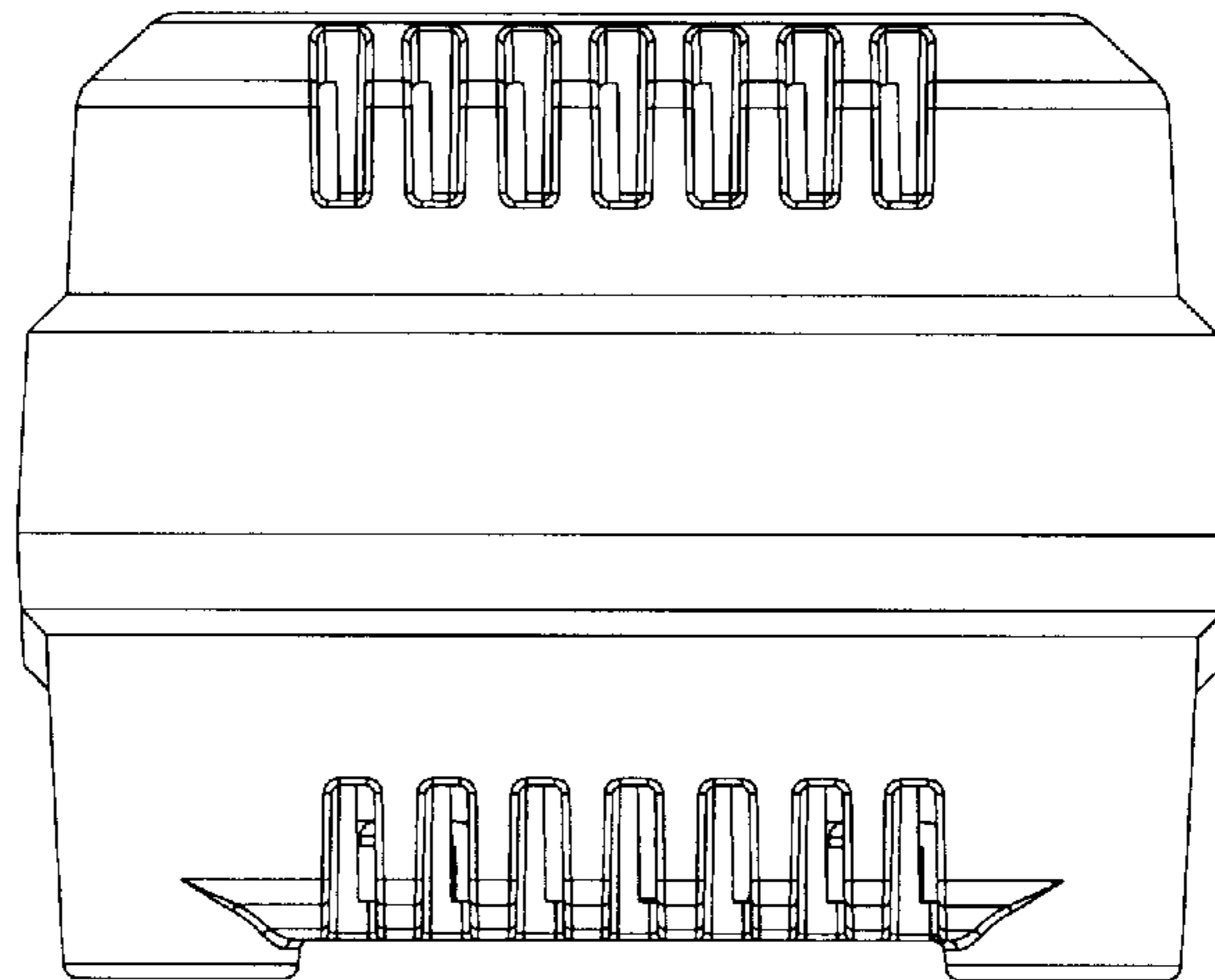


FIG. 14

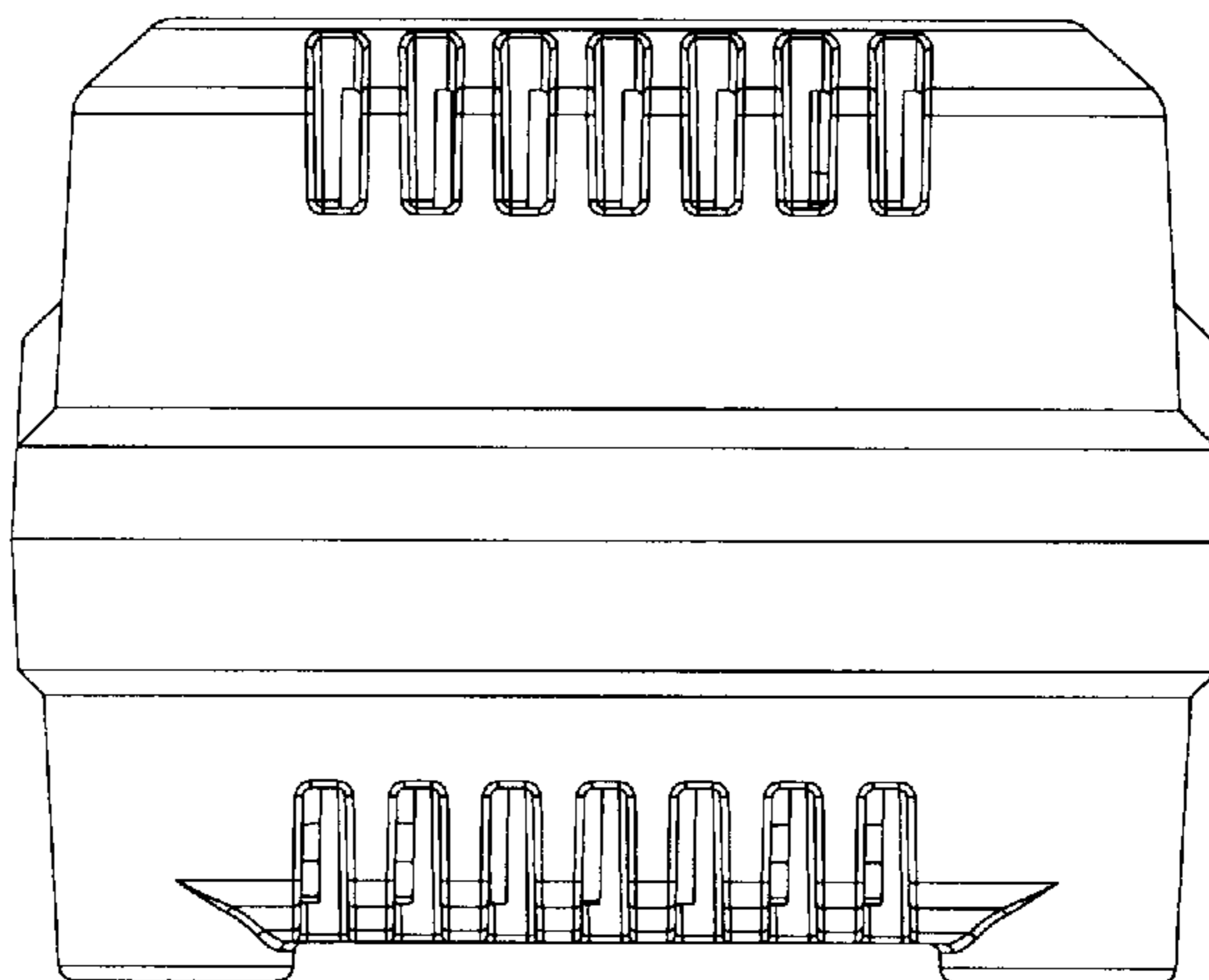


FIG. 15

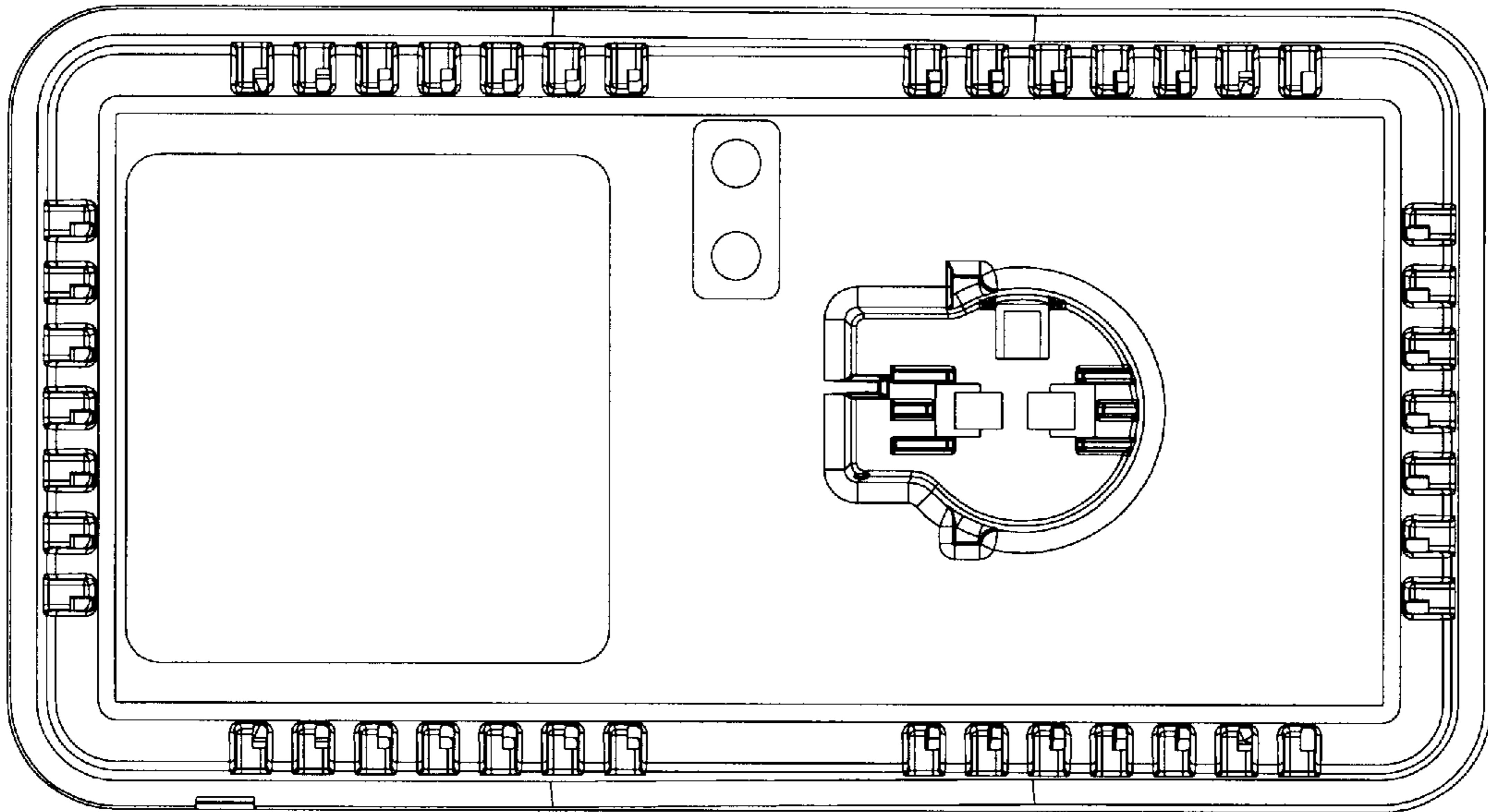
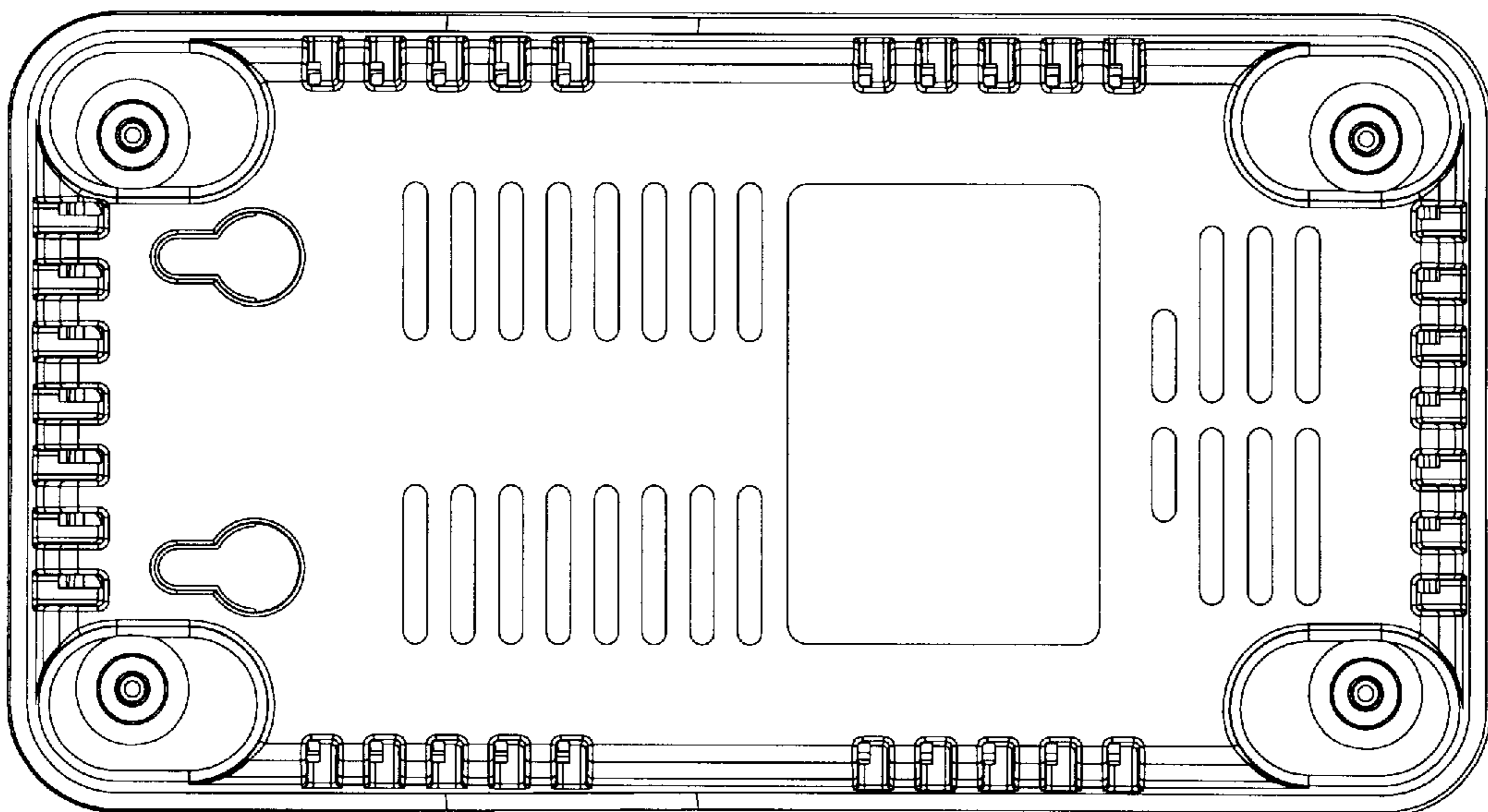


FIG. 16



UNITED STATES PATENT AND TRADEMARK OFFICE
CERTIFICATE OF CORRECTION

PATENT NO. : **Des. 404,006**

DATED : **JANUARY 12, 1999**

INVENTOR(S) : **CLOWERS ET AL.**

It is certified that error appears in the above-identified patent and that said Letters Patent is hereby corrected as shown below:

Title Page, [57] Description: "FIG. 3 is right elevational view the" should read —FIG. 3 is a right elevational view of the—

[57] Description: "FIG. 11 is right" should read —FIG. 11 is a right—

Signed and Sealed this
Twentieth Day of July, 1999

Attest:



Q. TODD DICKINSON

Attesting Officer

Acting Commissioner of Patents and Trademarks