



US00D404000S

United States Patent [19] Melbinger

[11] **Patent Number: Des. 404,000**

[45] **Date of Patent: **Jan. 12, 1999**

[54] **VEHICLE WHEEL FRONT FACE**

[75] Inventor: **Don Melbinger**, Placentia, Calif.

[73] Assignee: **American Racing Equipment, Inc.**,
Rancho Dominguez, Calif.

[**] Term: **14 Years**

[21] Appl. No.: **77,346**

[22] Filed: **Sep. 30, 1997**

[51] **LOC (6) Cl.** **12-16**

[52] **U.S. Cl.** **D12/209**

[58] **Field of Search** D12/204-213;
301/64.1, 65, 37.1

[56] **References Cited**

U.S. PATENT DOCUMENTS

D. 176,544	1/1956	Lyon	D14/30
D. 222,348	10/1971	Harty	D12/204
D. 248,295	6/1978	Day et al.	D12/206
D. 272,431	1/1984	Hedlund	D12/211
D. 292,568	11/1987	Cafaro et al.	D12/209
D. 292,693	11/1987	Cattaneo	D12/211
D. 300,422	3/1989	Schinella	D12/209
D. 334,730	4/1993	Chung	D12/209
D. 335,859	5/1993	Mattin	D12/211
D. 339,316	9/1993	Chung	D12/209
D. 339,317	9/1993	Chung	D12/209
D. 339,561	9/1993	Maiworm et al.	D12/211
D. 347,203	5/1994	Buyze et al.	D12/209
D. 351,581	10/1994	Chung	D12/209
D. 351,582	10/1994	Echazabel	D12/209
D. 351,821	10/1994	Oka	D12/209
D. 363,457	10/1995	Coddington	D12/209
D. 363,910	11/1995	Chung	D12/209
D. 363,911	11/1995	Chung	D12/209
D. 363,912	11/1995	Chung	D12/209
D. 363,913	11/1995	Chung	D12/209
D. 367,460	2/1996	Chung	D12/209
D. 367,461	2/1996	Chung	D12/209
D. 372,699	8/1996	Mantua	D12/209
D. 377,640	1/1997	Neeper	D12/209
D. 378,670	4/1997	Echazabal et al.	D12/209
D. 379,612	6/1997	Honarkhah	D12/209
D. 380,432	7/1997	Hettler	D12/209
D. 380,433	7/1997	Chung	D12/209

D. 387,724	12/1997	Chung	D12/209
D. 388,390	12/1997	Chung	D12/209
D. 389,112	1/1998	Chung	D12/209
D. 389,113	1/1998	Chung	D12/209
D. 391,543	3/1998	Renkert	D12/209
D. 392,930	3/1998	Embrador	D12/211

OTHER PUBLICATIONS

Standard & Custom Wheels for Passenger, Light Truck, Vans, & 4.W.D., pp. 86 & 87, (No Date).
Golden Wheel Corporation, Tire Review, May 1992, pp. 17 & 19.
Rial USA, Inc., Tire Review, Jun. 1991, p. 15.
Amtech Wheel, Inc., Pricing Sheet, Oct. 1995.
Ultra Wheel Company, (No Date).
Elite Wheel Corp., Tire Review, May 1993.
Niche Road Wheels, (No Date).
American Racing Equipment Custom Wheels, The American Flyer, Oct. 1995.
Sendel Performance Alloy Wheels, Exhibit Q16, (No Date).
SEC Alloy Wheels, Oct. 1995.
American Racing Equipment Custom Wheels, Feb. 1991.
Ultra Custom Wheels, 2nd Edition, 1991.
Amtec, Exhibit Q2, (No Date).
Ultra Custom Wheels, 1996.
Hankook Tire, Tire Review, May 1993.

(List continued on next page.)

Primary Examiner—Jeffrey Asch
Assistant Examiner—Stacia Sinuik
Attorney, Agent, or Firm—Thompson Hine & Flory LLP

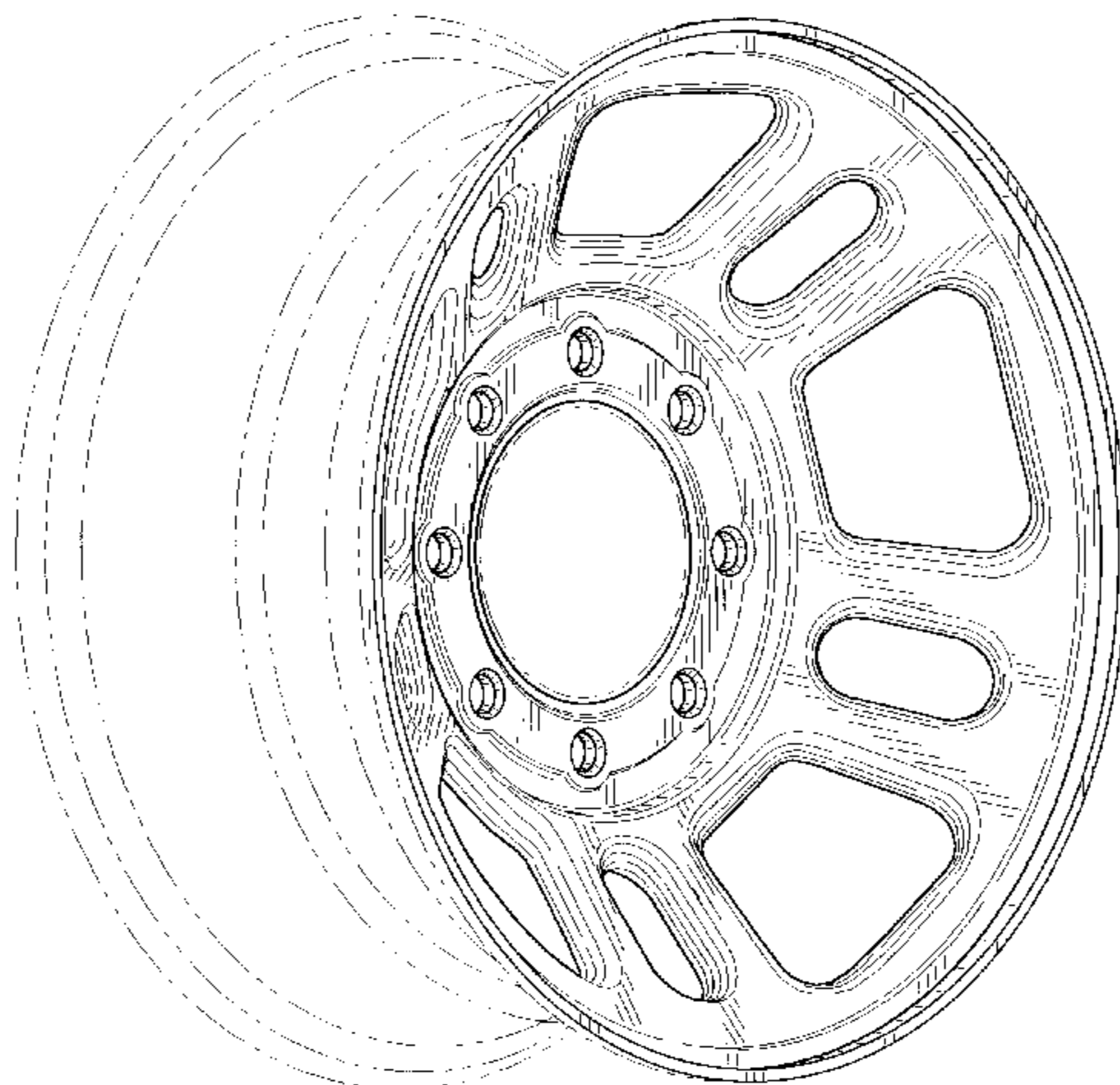
[57] **CLAIM**

The ornamental design for a vehicle wheel front face, as shown and described.

DESCRIPTION

FIG. 1 is a front perspective view of my new vehicle wheel front face; and,
FIG. 2 is a front elevational view thereof.
The broken lines shown in FIG. 1 and FIG. 2 of the drawings are for illustrative purposes only and the subject matter depicted thereby constitutes no part of the claimed design.

1 Claim, 1 Drawing Sheet



OTHER PUBLICATIONS

- Funsa Custom Wheel and Tire Style Guide, p. 31, 1993.
Cragar, Exhibit Q4, (No Date).
Golden Wheel Corporation, Enkei (No Date).
Eagle Alloys, American Eagle Wheel Corporation, Exhibit Q1, Summer 1991.
Spectrum Custom Wheels, Exhibit Q18, (No Date).
Sendel Performance Alloy Wheels, Exhibit Q16 (No Date).
Ultra Custom Wheels, 1995.
Pure USA, pp. 8 & 12 (No Date).
Choice of the Motorsport Generation Catalogue, Exhibit Q5, 1992.
Custom Wheel, Jobber Price Sheet, 1992.
Prime Wheel, Exhibit Q12 (No Date).
Primax Wheel Corporation, Exhibit Q11, (No Date).
Optima, pp. 119–122, Exhibit Q10 (No Date).
Keystone, pp. 99–118, Exhibit Q9, Mar. 1991.
Formula, pp. 93–98, Exhibit Q8, (No Date).
Epic Wheels, pp. 89–92, 1992, Exhibit Q7.
Progressive, pp. 141–148, 1991 Catalog, Exhibit Q13.
Prime Wheel Catalog, 1994.
SEC, Alloy Wheels, 1996.
Pure Custom Wheels, pp. 149–152, 1992 Catalog, Exhibit Q14.
ROH CSA Alloy Wheels, p. 153 Exhibit Q15, (No Date).
Golden Wheel Corporation, Enkei, pp. 69–88, Exhibit Q6, (No Date).
American Racing Equipment, Spring 94.
Billet Wheels, (No Date).
Wheels, (No Date).
SEC, Exhibit Q17, pp. 159–164 (No Date).
Progressive Custom Wheels, 1996.
Get Primed, (No Date).
CTA, (No Date).
Progressive Custom Wheels, pp. 1–14, (No Date).
Optima, (No Date).
Ultra Custom Wheels, (No Date).
KMC Custom Wheels, (No Date).
Progressive, Catalog Supplement, 1991.
Epic Wheels, pp. 1–7, 1995.
1994 Performance Wheel, Tire & Suspension Handbook.
1997 American Racing Custom Wheels.

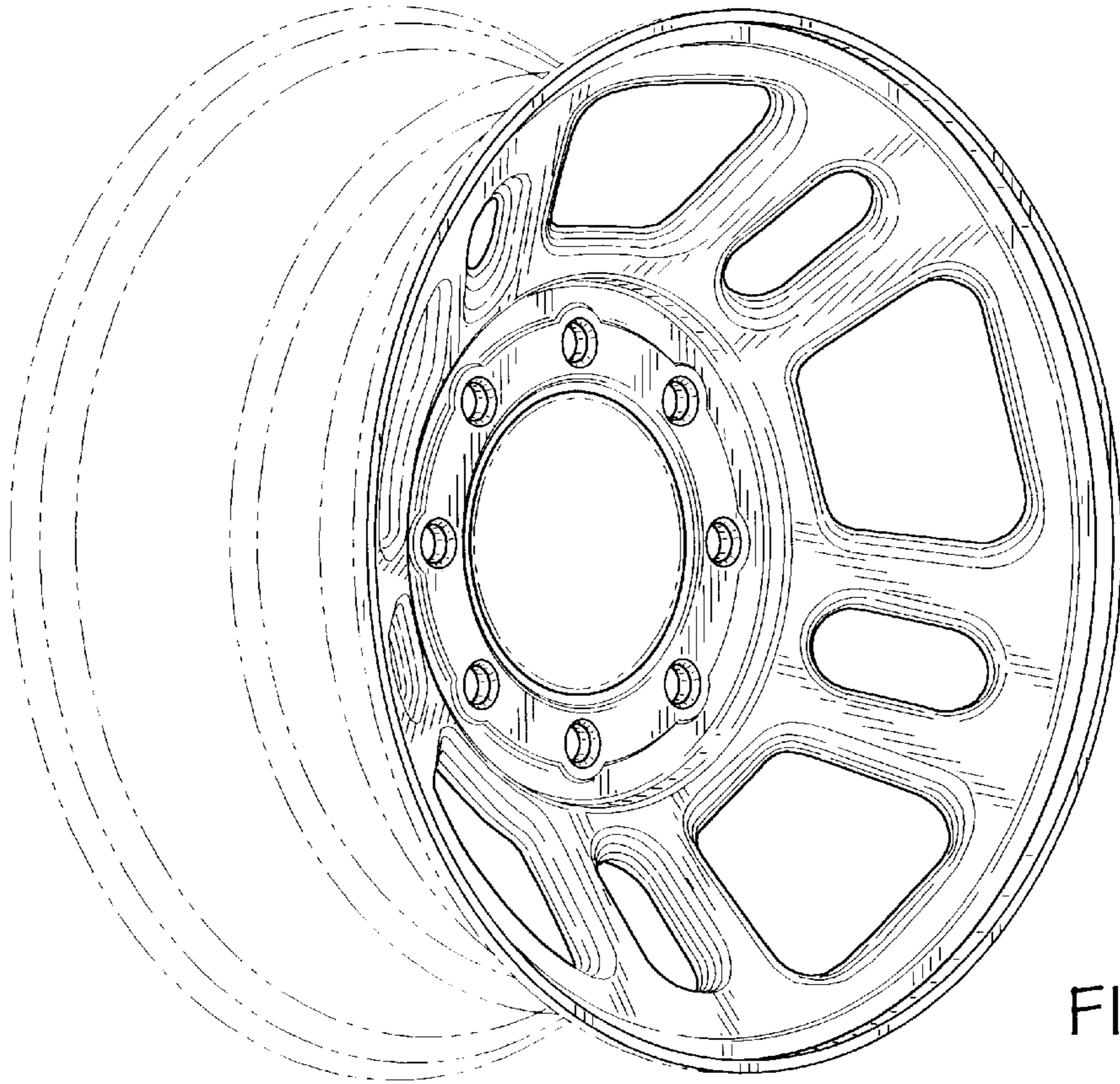


FIG. 1

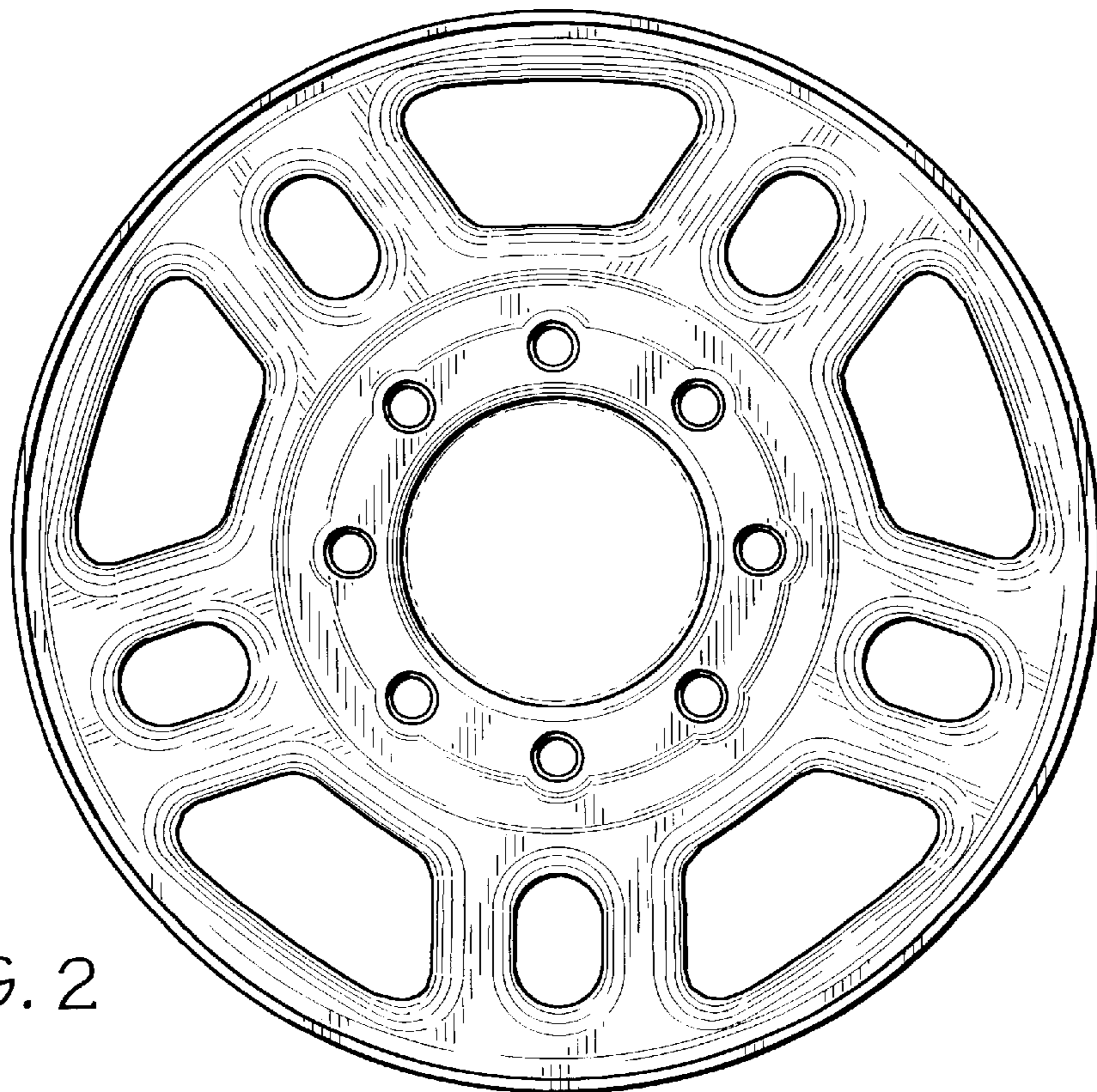


FIG. 2