



US00D403992S

**United States Patent** [19]  
**D'Aluisio et al.**

[11] **Patent Number: Des. 403,992**

[45] **Date of Patent: \*\*Jan. 12, 1999**

[54] **BICYCLE SUSPENSION FORK**

[75] Inventors: **Christopher P. D'Aluisio**, Bethel;  
**Mario M. Galasso**, Redding; **Ross P. Collins**, Danbury, all of Conn.

[73] Assignee: **Cannondale Corporation**, Bethel, Conn.

[\*\*] Term: **14 Years**

[21] Appl. No.: **85,820**

[22] Filed: **Mar. 31, 1998**

**Related U.S. Application Data**

[62] Division of Ser. No. 59,505, Sep. 18, 1996.

[51] **LOC (6) Cl.** ..... **12-11**

[52] **U.S. Cl.** ..... **D12/118**

[58] **Field of Search** ..... D12/118, 111;  
280/275, 276, 281.1, 284, 288.1-288.3

[56] **References Cited**

**U.S. PATENT DOCUMENTS**

D. 278,044 3/1985 Ohba ..... 280/276

D. 344,253 2/1994 Bishop et al. .... D12/118  
5,284,352 2/1994 Chen ..... 280/276  
5,562,297 10/1996 Lan ..... 280/276

*Primary Examiner*—Melody N. Brown  
*Attorney, Agent, or Firm*—Pennie & Edmonds LLP

[57] **CLAIM**

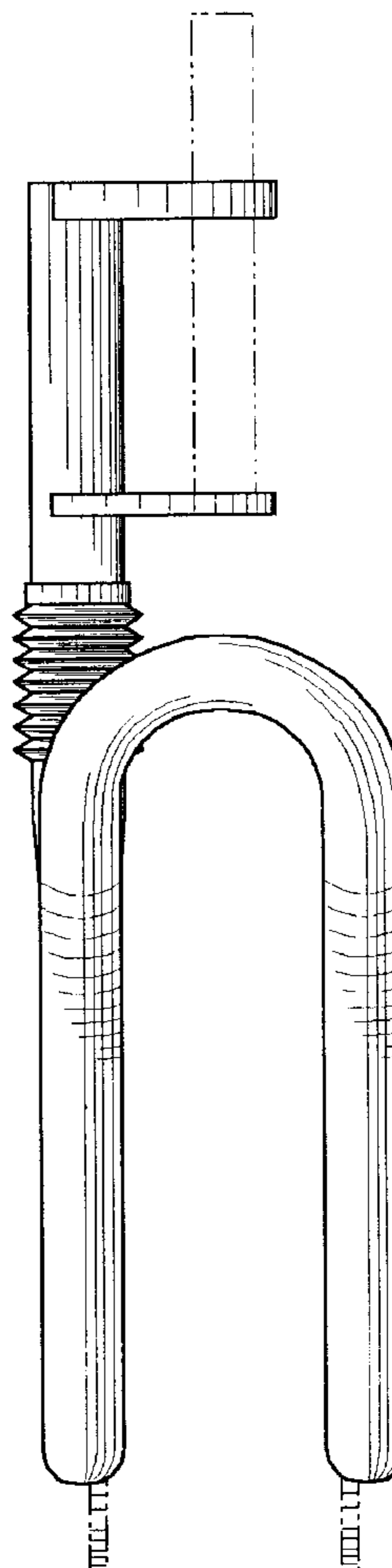
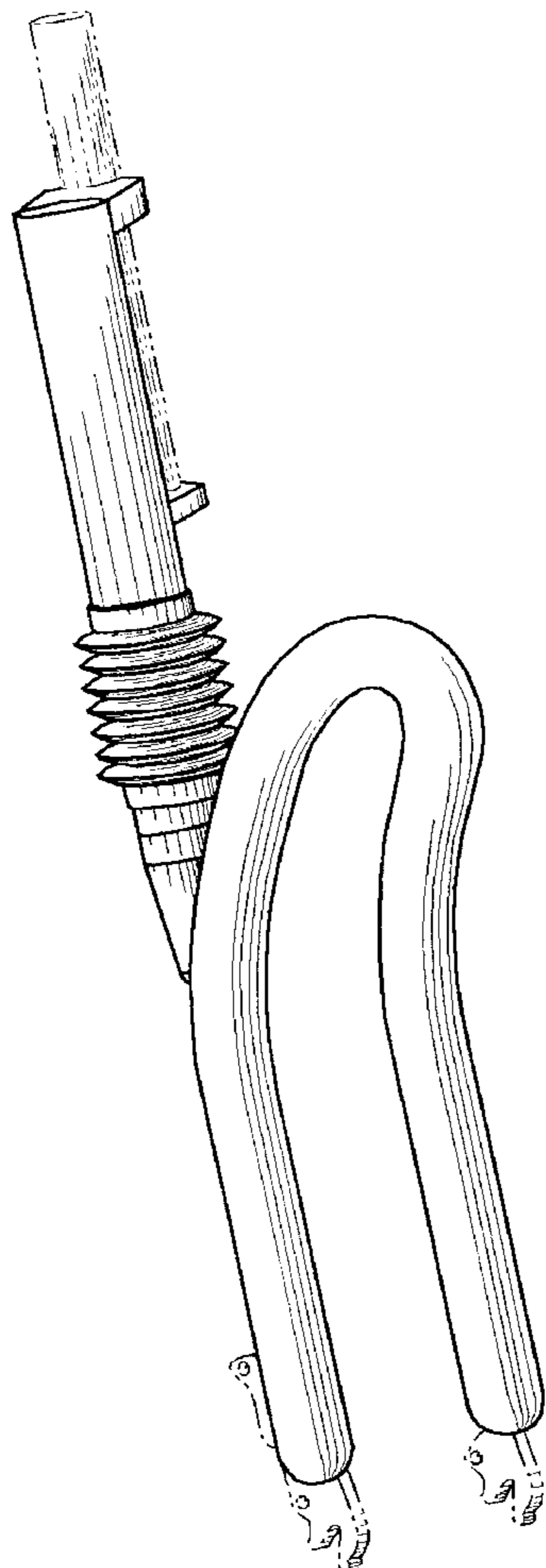
The ornamental design for a bicycle suspension fork, as shown and described.

**DESCRIPTION**

FIG. 1 is a perspective view of a bicycle suspension fork showing our new design;  
FIG. 2 is a front view thereof;  
FIG. 3 is a back view thereof;  
FIG. 4 is a right side view thereof;  
FIG. 5 is a left side view thereof;  
FIG. 6 is a top view thereof; and,  
FIG. 7 is a bottom view thereof.

The broken lines shown in the drawings are for illustrative purposes only and form no part of the claimed design.

**1 Claim, 7 Drawing Sheets**



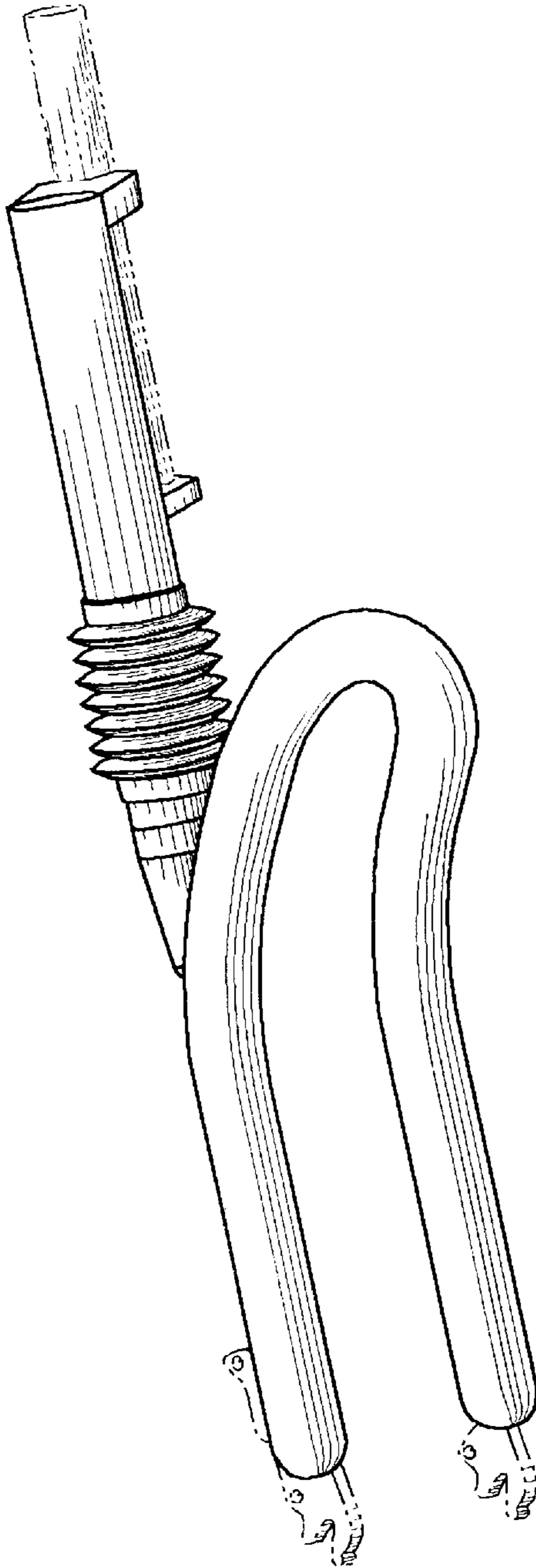


FIG 1

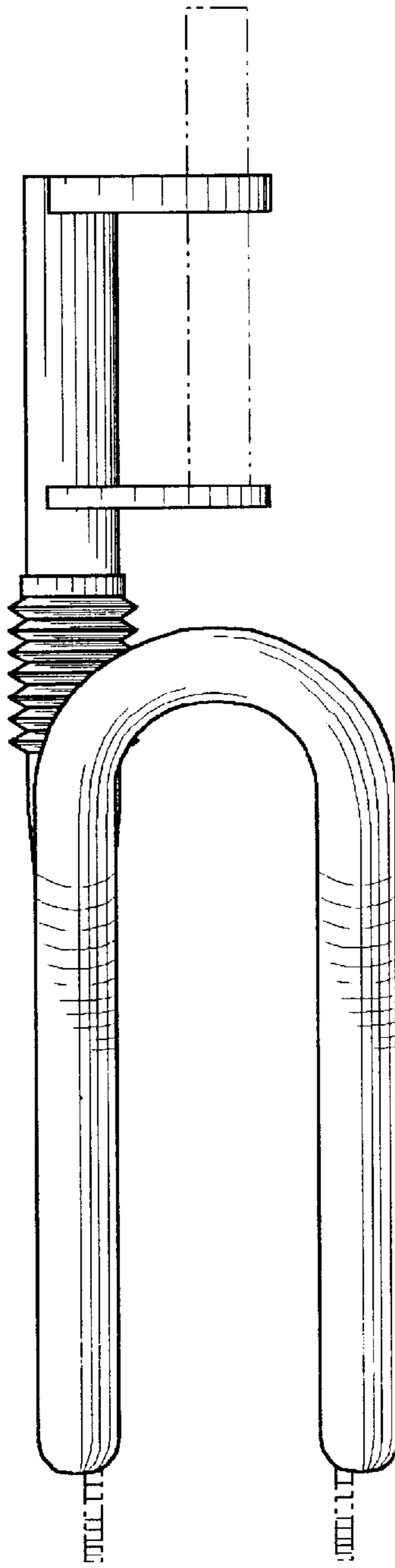


FIG 2

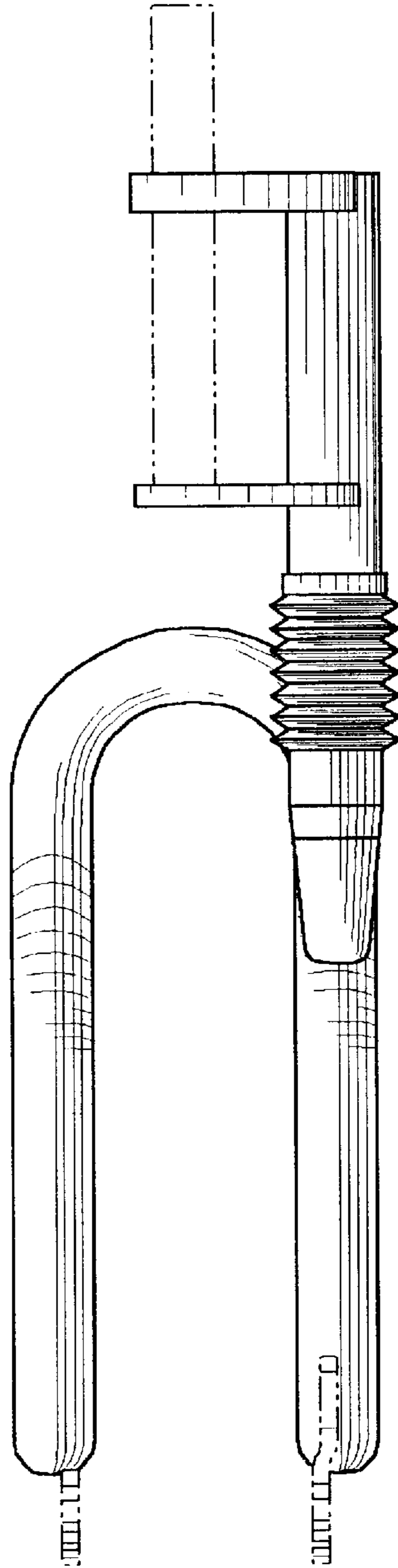


FIG 3

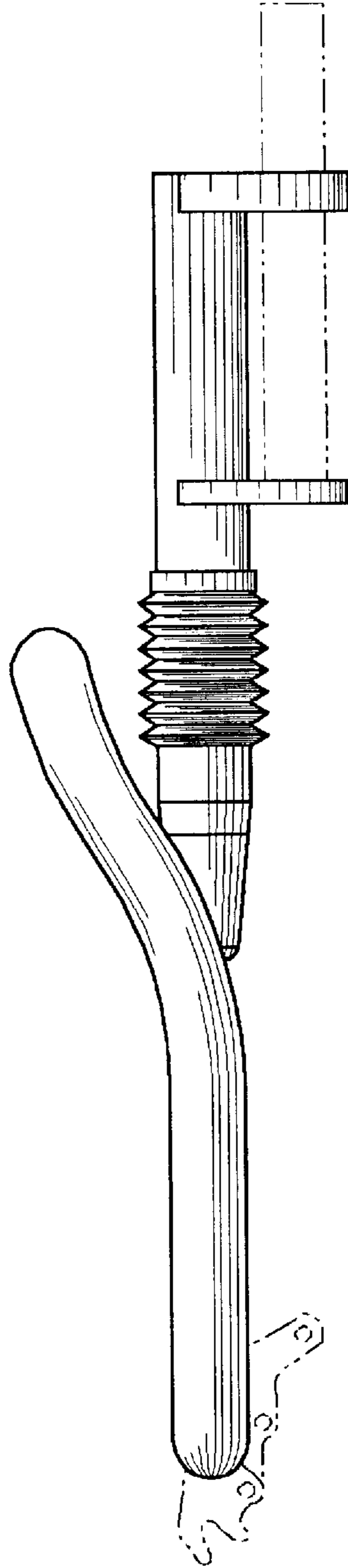


FIG 4

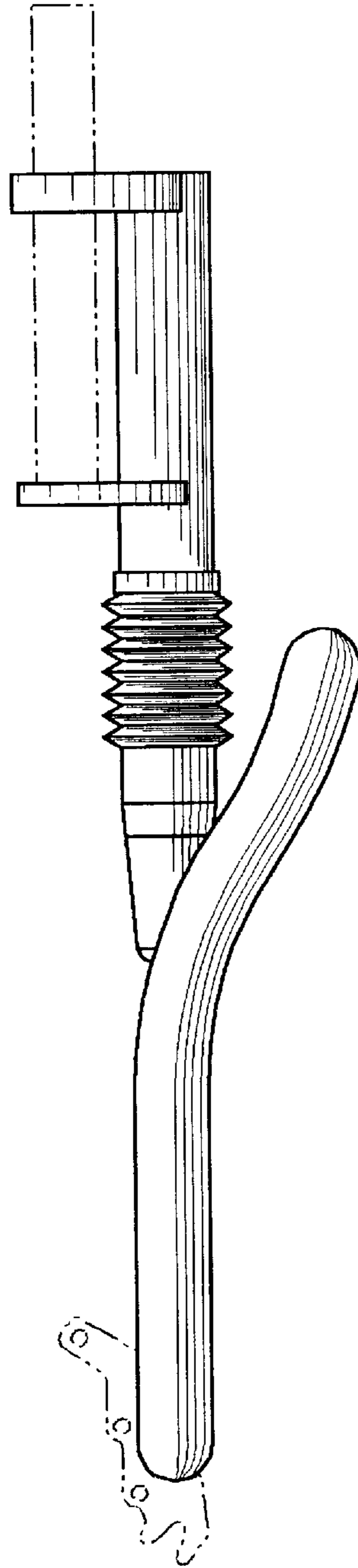


FIG 5

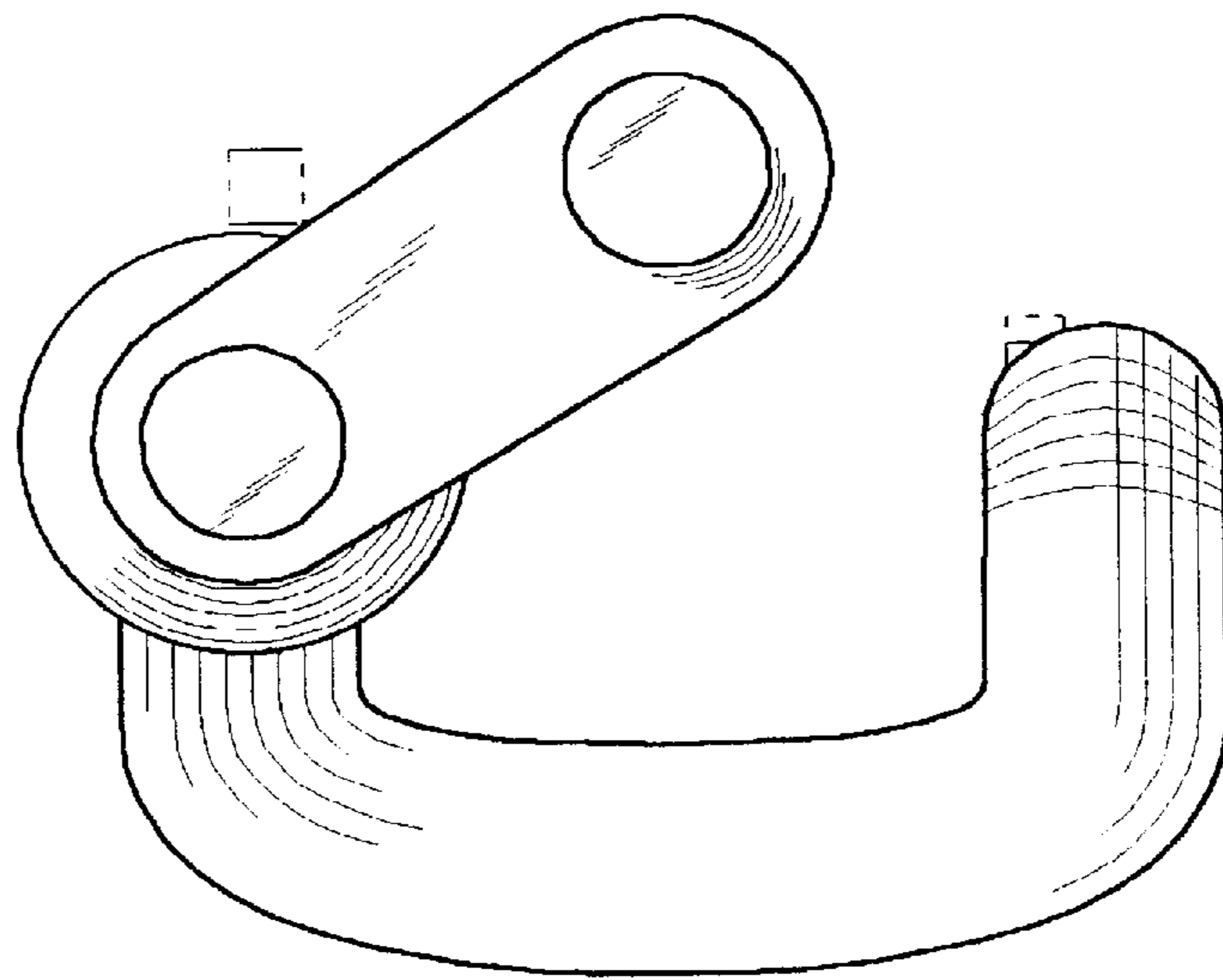


FIG 6

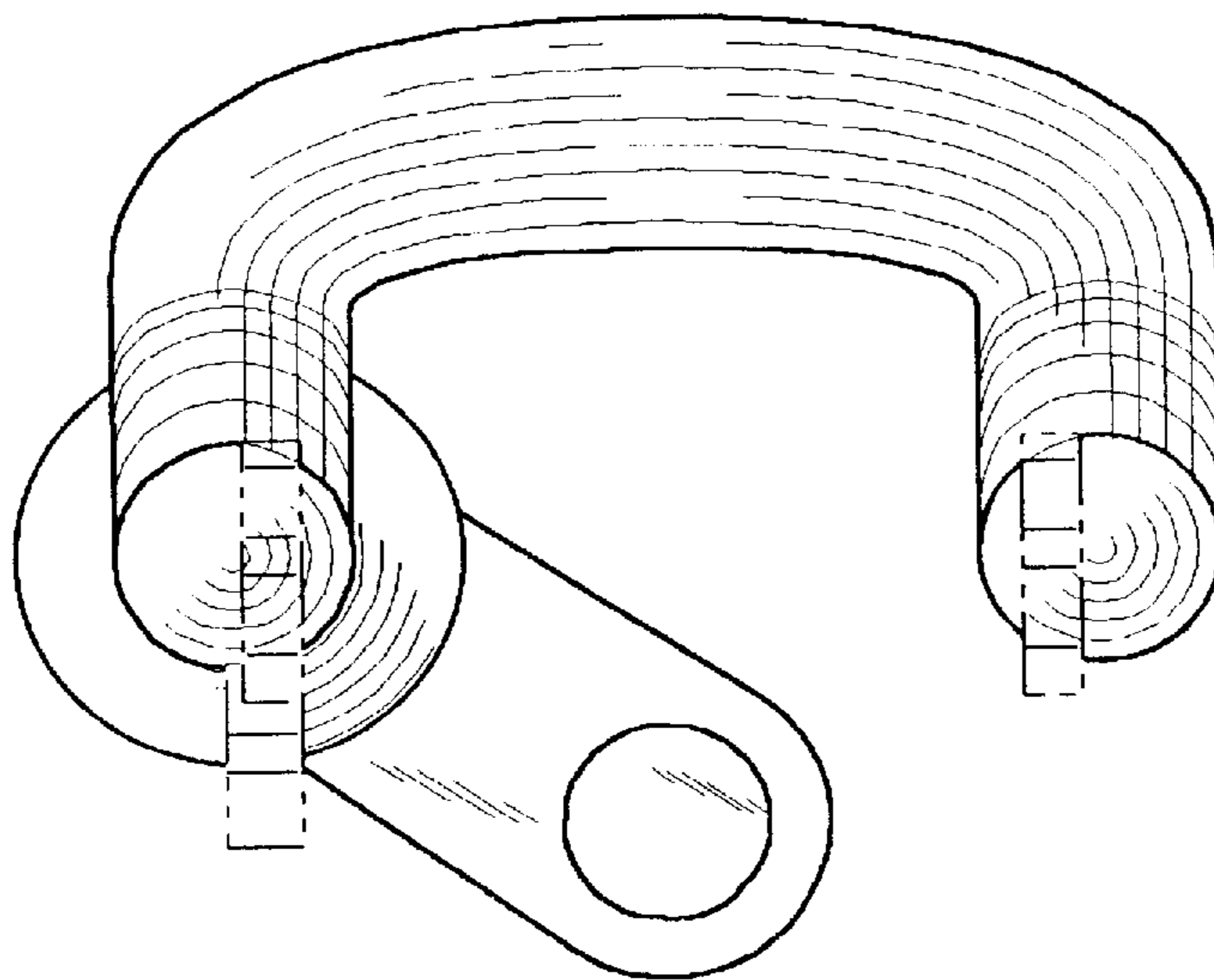


FIG 7