



US00D403989S

United States Patent [19]

Honda et al.

[11] **Patent Number: Des. 403,989**

[45] **Date of Patent: **Jan. 12, 1999**

[54] **AUTOMOBILE**

[75] Inventors: **Mitsuhiro Honda; Seiji Someya; Tamotsu Okamoto**, all of Wako, Japan

[73] Assignee: **Honda Giken Kogyo Kabushiki Kaisha**, Tokyo, Japan

[**] Term: **14 Years**

[21] Appl. No.: **79,301**

[22] Filed: **Nov. 12, 1997**

[30] **Foreign Application Priority Data**

May 28, 1997 [JP] Japan 9-55917

[51] **LOC (6) Cl.** **12-08**

[52] **U.S. Cl.** **D12/91**

[58] **Field of Search** D12/90-92; 296/185

[56] **References Cited**

U.S. PATENT DOCUMENTS

- D. 340,010 10/1993 Guedon D12/90
- D. 347,198 5/1994 Semple D12/91
- D. 356,057 3/1995 Sacco et al. D12/99

- D. 360,606 7/1995 Holmes et al. D12/91
- D. 362,831 10/1995 Minowa et al. D12/91
- D. 391,898 3/1998 Yoshikawa et al. D12/91

FOREIGN PATENT DOCUMENTS

773013 7/1989 Japan .

Primary Examiner—Melody N. Brown
Attorney, Agent, or Firm—Nikaido, Marmelstein, Murray & Oram LLP

[57] **CLAIM**

The ornamental design for an automobile, as shown and described.

DESCRIPTION

FIG. 1 is a left-front perspective view of an automobile showing our new design;
FIG. 2 is a right-front perspective view thereof;
FIG. 3 is a front view thereof;
FIG. 4 is a rear view thereof;
FIG. 5 is a left side view thereof;
FIG. 6 is a right side view thereof; and,
FIG. 7 is a top plan view thereof.

1 Claim, 6 Drawing Sheets

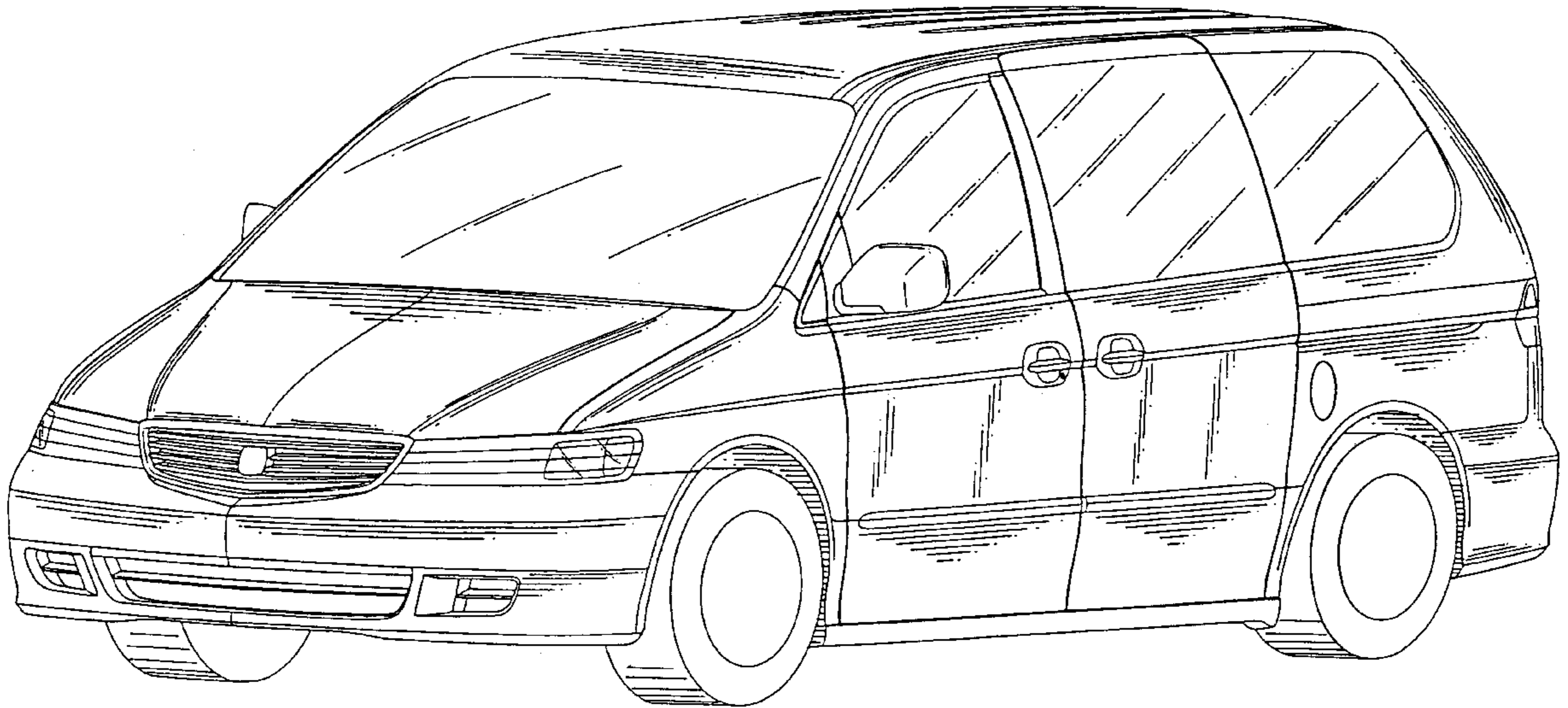


Fig. 1

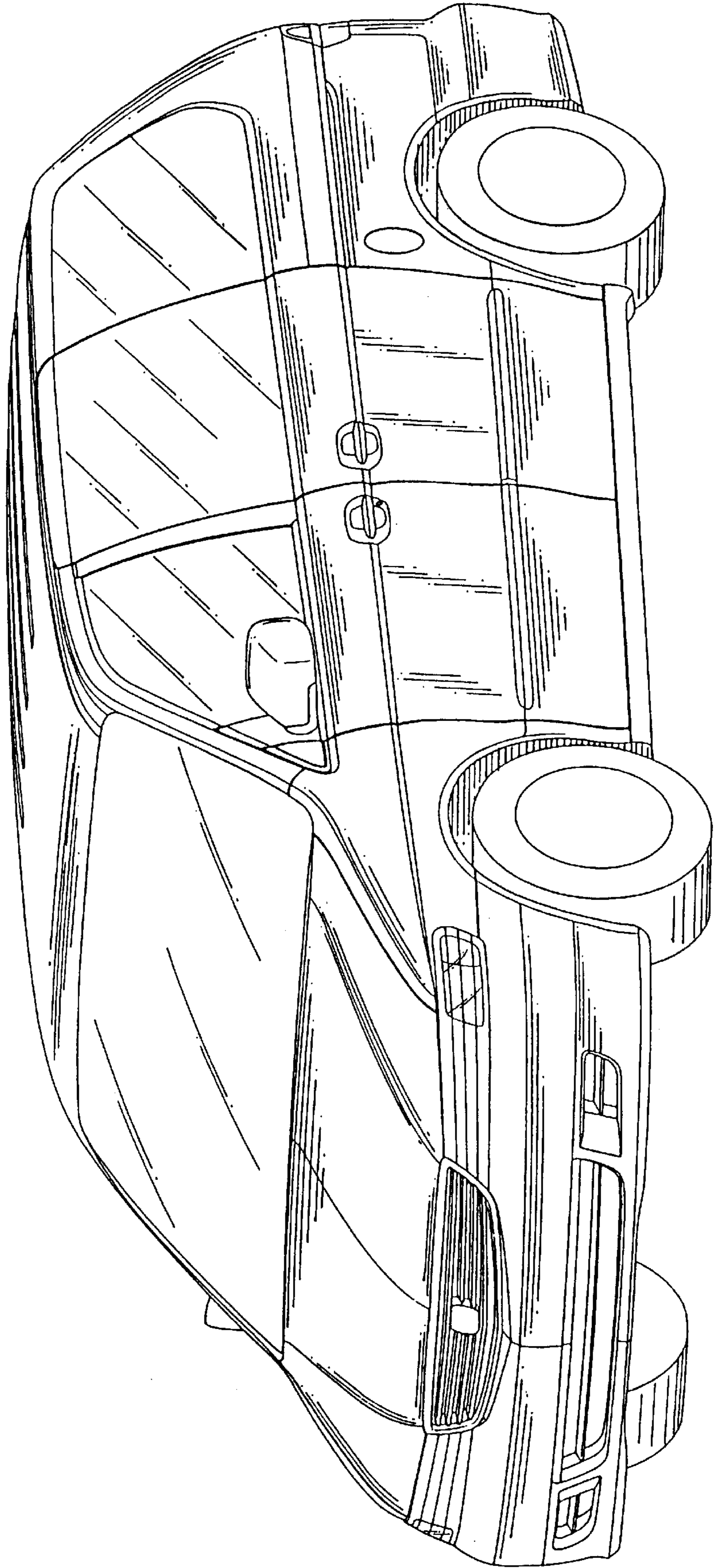


Fig. 2

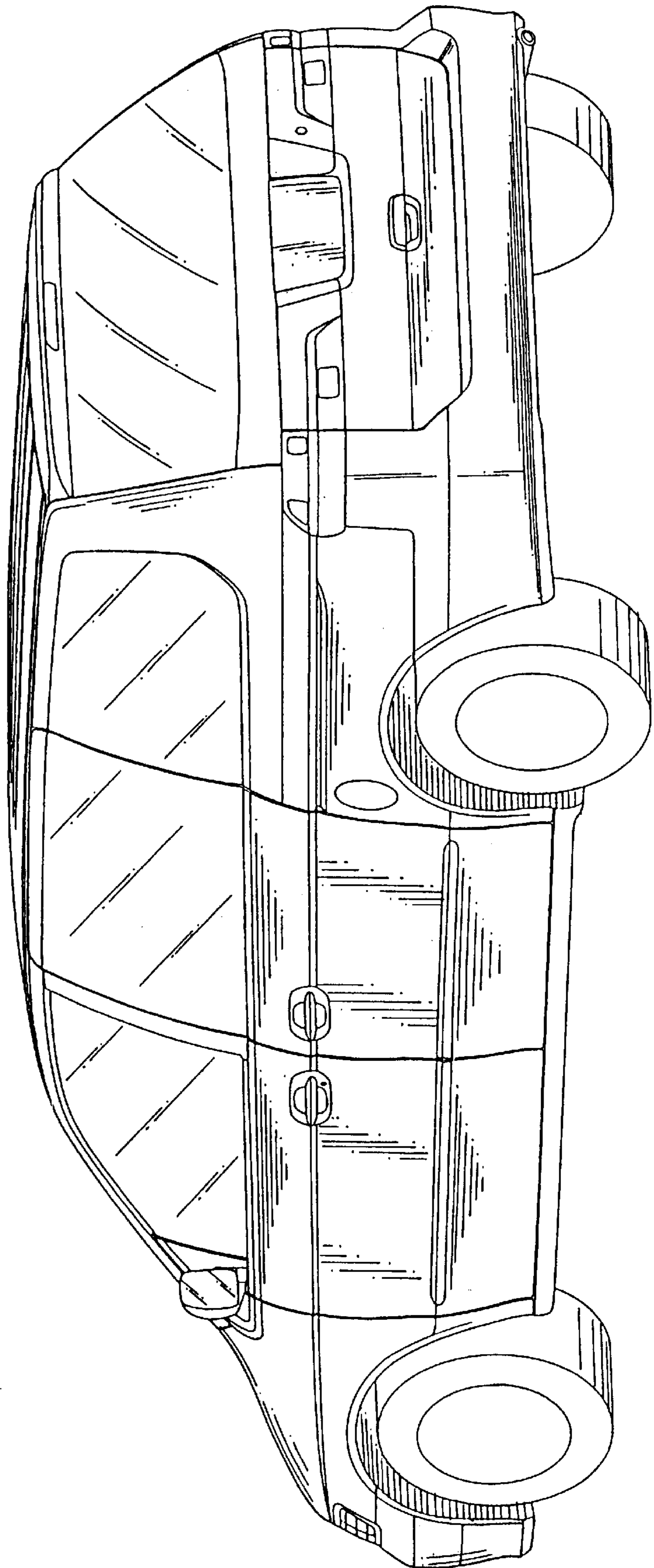


Fig. 4

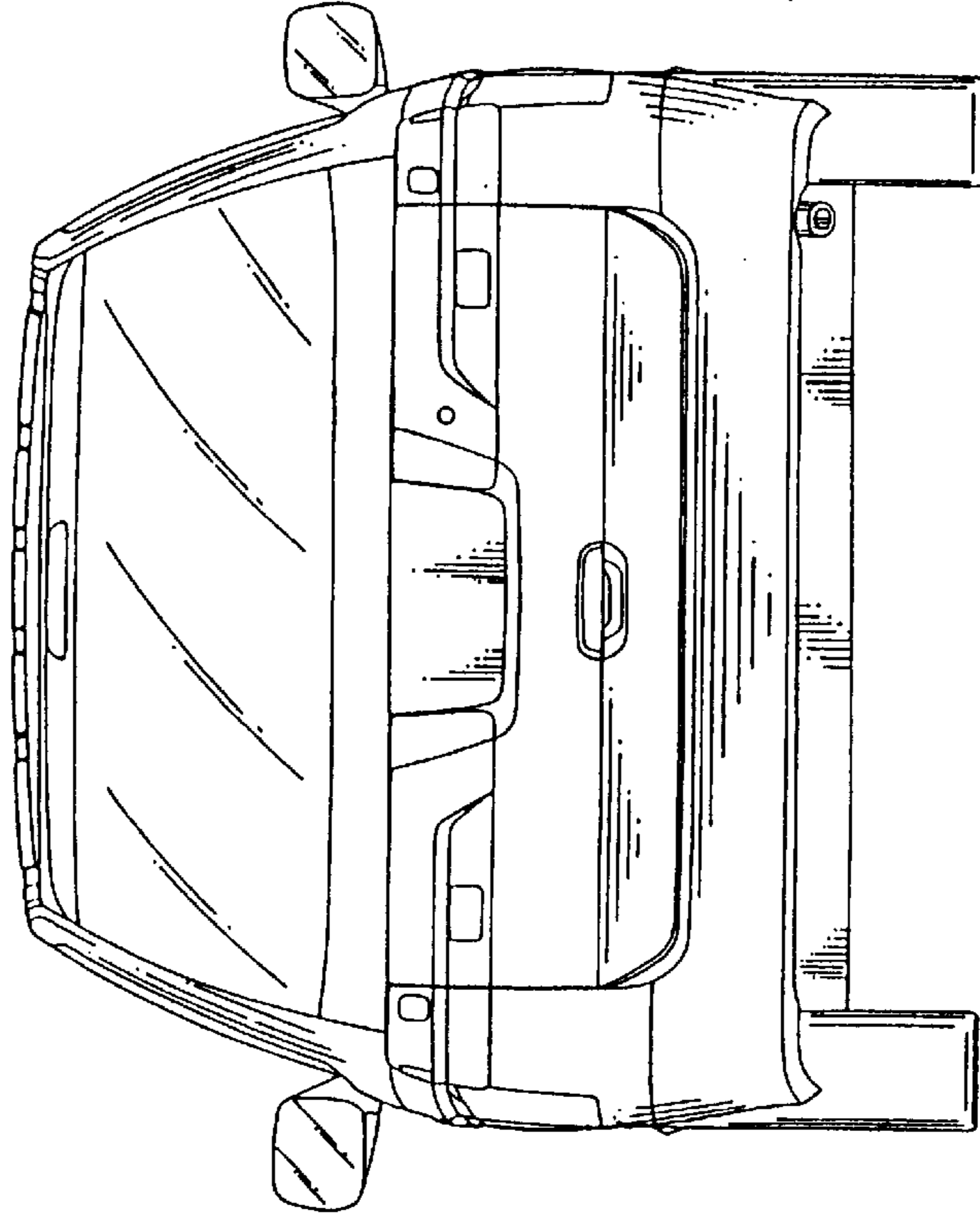


Fig. 3

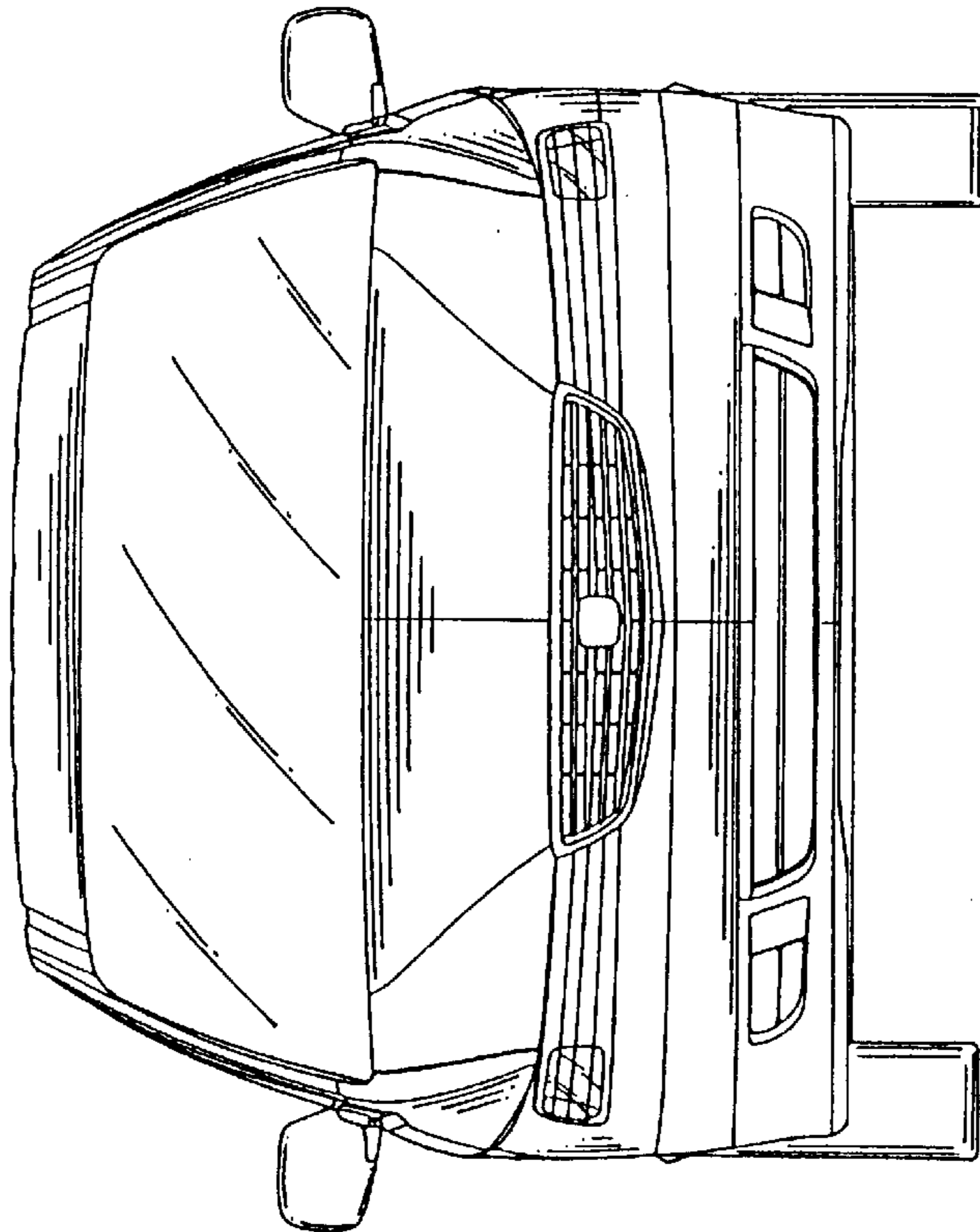


Fig. 5

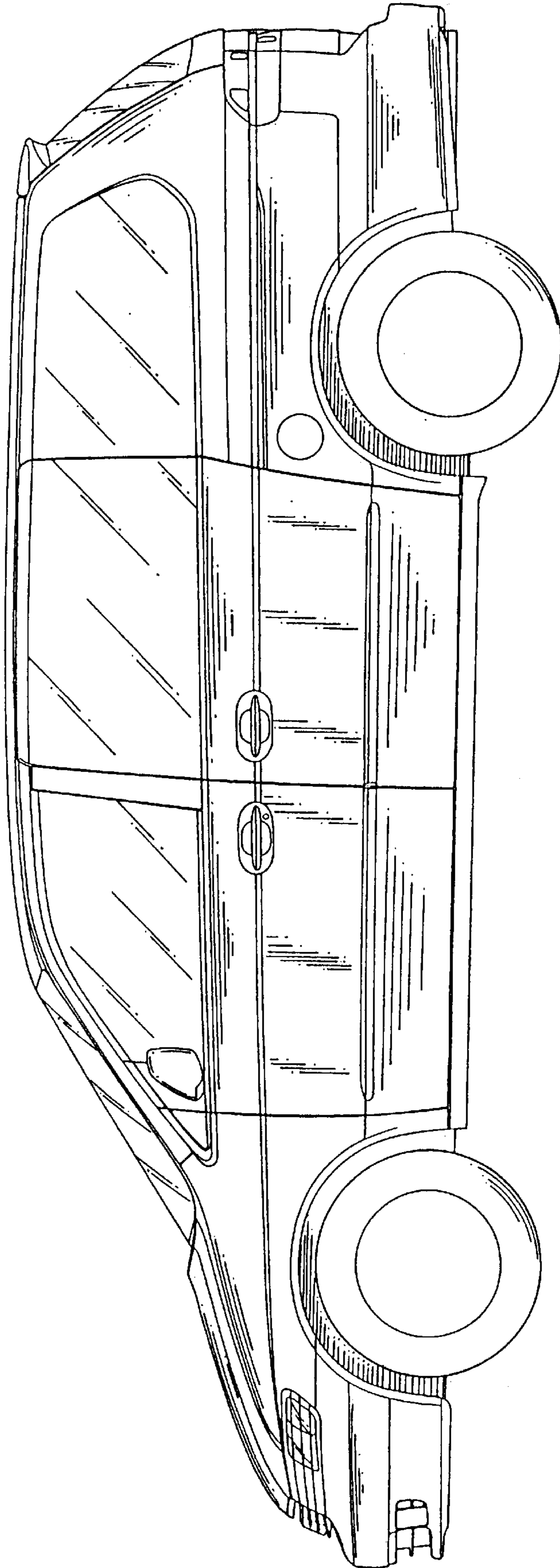


Fig.6

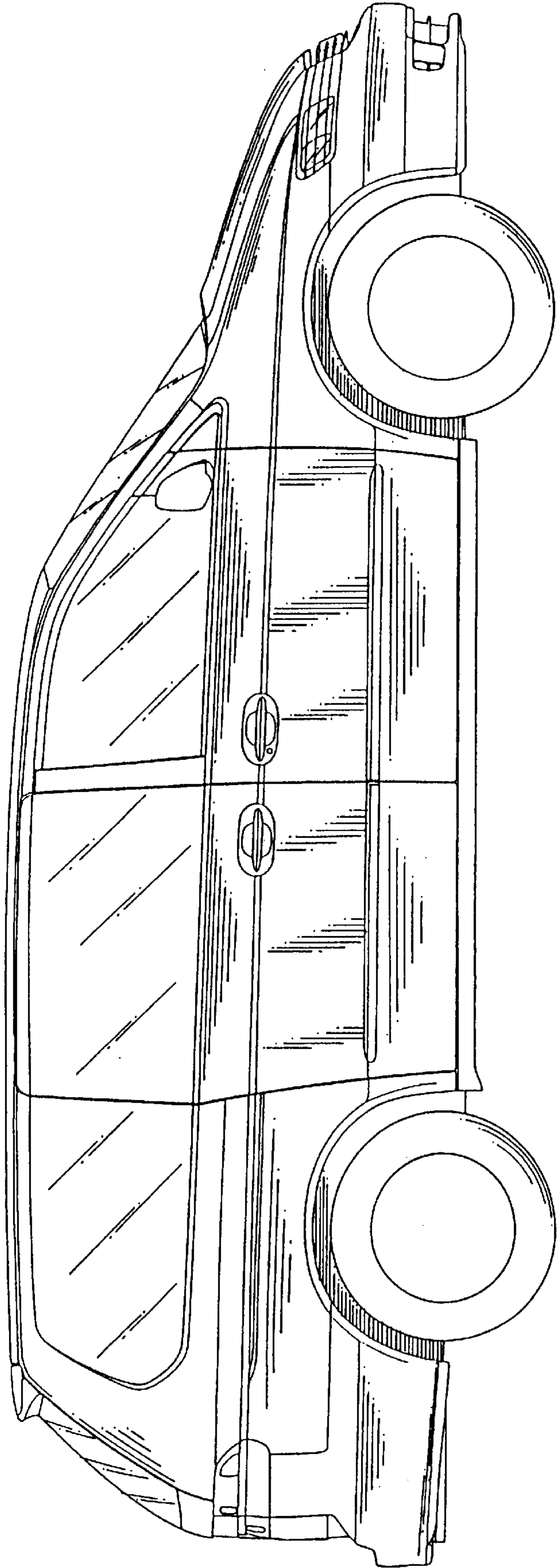


Fig. 7

