



US00D403980S

United States Patent [19]
Conway et al.

[11] **Patent Number: Des. 403,980**
[45] **Date of Patent: **Jan. 12, 1999**

[54] **CHRISTMAS TREE STAND WITH OCTAHEDRON CHAMBER**

[76] Inventors: **Linda B. Conway**, 6629 Greene Rd., Woodbridge, Ill. 60517; **Charles H. Herndon, Jr.**, 858 Woodbine La., Northbrook, Ill. 60062

[**] Term: **14 Years**

[21] Appl. No.: **71,958**

[22] Filed: **Jun. 10, 1997**

[51] **LOC (6) Cl. 11-05**

[52] **U.S. Cl. D11/130.1**

[58] **Field of Search D11/130.1; 47/40.5**

[56] **References Cited**

U.S. PATENT DOCUMENTS

- D. 198,634 7/1964 Newman .
- D. 308,028 5/1990 Moriarty .
- D. 318,634 7/1991 Tobin .
- D. 330,875 11/1992 Boucher .
- 1,110,142 9/1914 Piner .
- 3,026,075 3/1962 Phelon et al. 47/40.5
- 3,307,813 3/1967 Pleiss .
- 4,190,983 3/1980 Rostomil .
- 4,569,151 2/1986 Hoffbeck .

OTHER PUBLICATIONS

K-Mart Christmas Tree Stands by Lakewood Engineering catalog page.
Gunnard Co. ads (2 pp.) (date: known to Applicants on or about Aug. 1997).

Tree Stand Tray by Lakewood advertisement.
Christmas Tree Stands catalog by Lakewood.
Lakewood Christmas Tree Stands catalog.

Primary Examiner—Dominic Simone

[57] **CLAIM**

We claim the ornamental design for a Christmas tree stand with octahedron chamber, as shown and described.

DESCRIPTION

FIG. 1 is a perspective view of a Christmas tree stand with octahedron chamber showing our new design;

FIG. 2 is a top plan view thereof;

FIG. 3 is a front elevational view thereof, the rear view being identical;

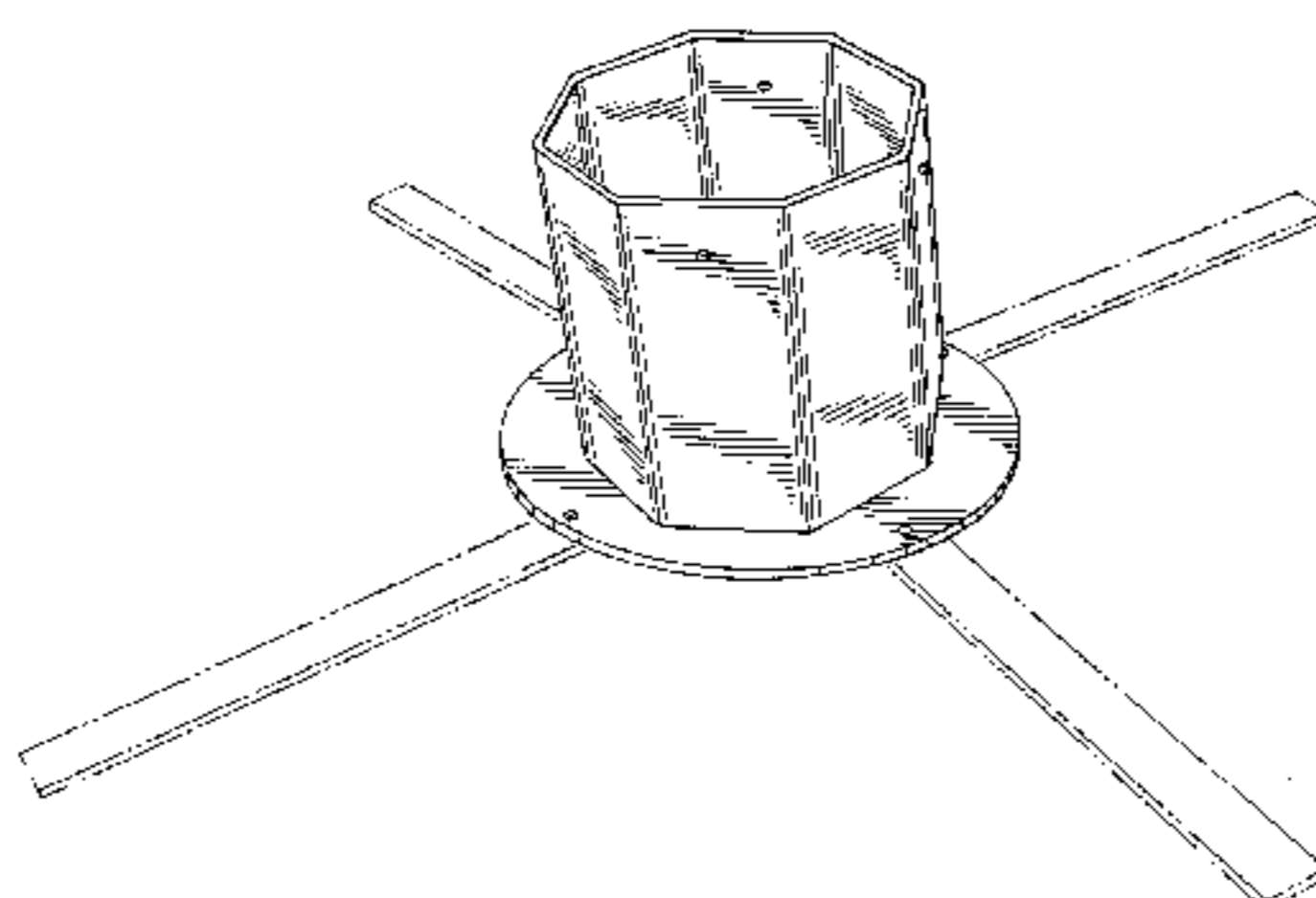
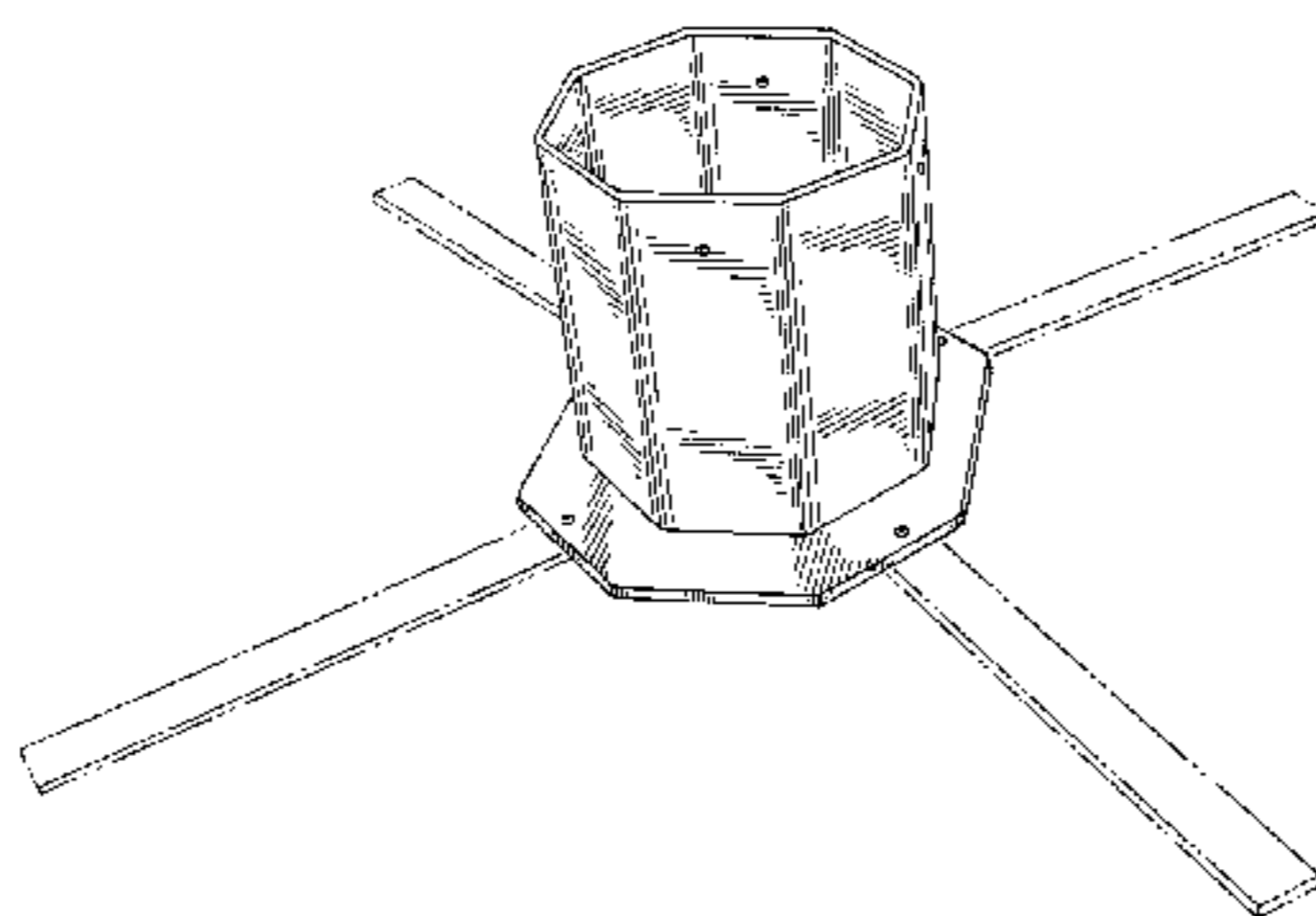
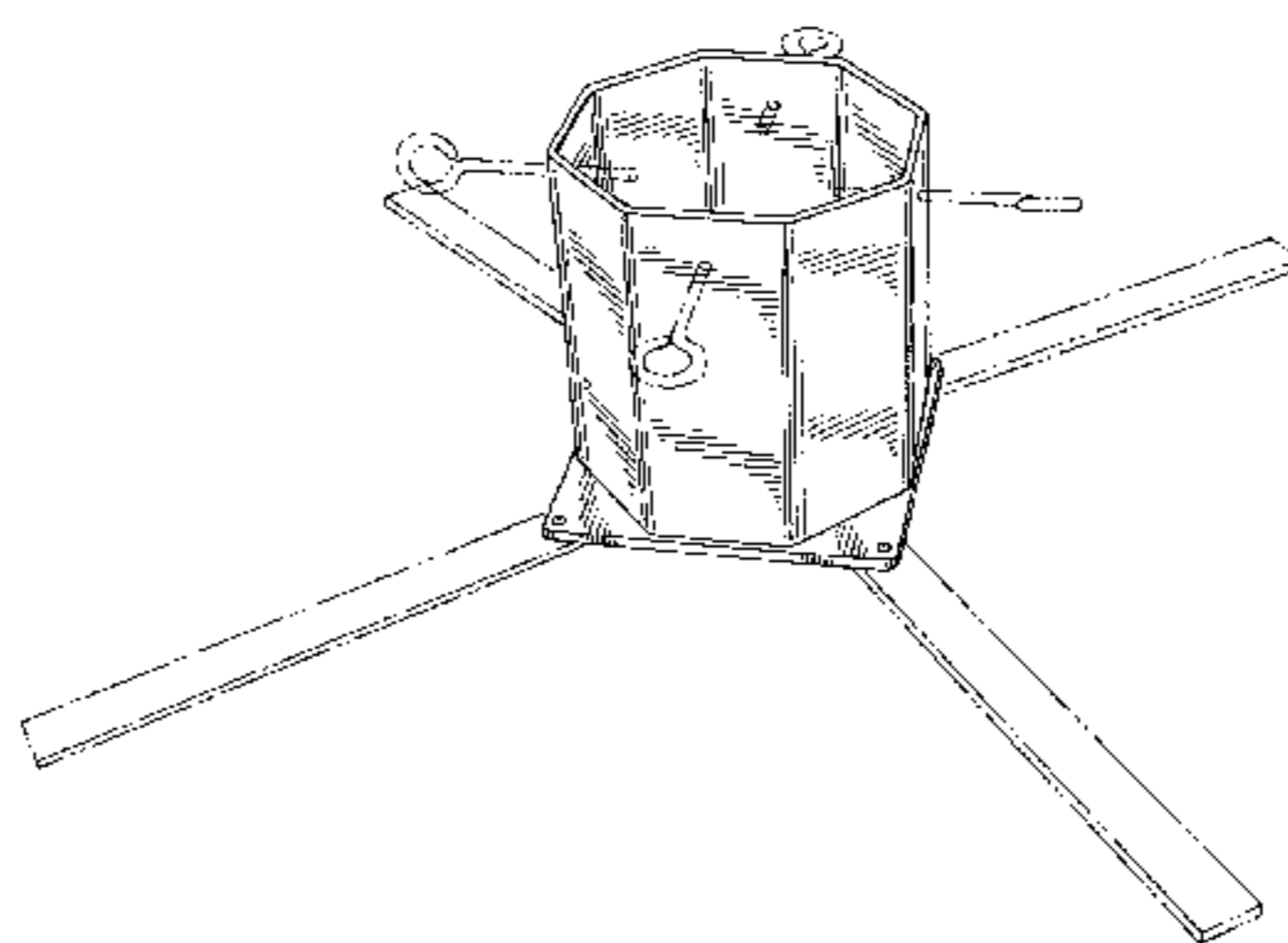
FIG. 4 is a side elevational view thereof, the opposite side being identical;

FIG. 5 is a bottom plan view thereof;

FIG. 6 is a perspective view of a second embodiment of FIG. 1, the difference residing in the shape of the bottom plate; and,

FIG. 7 is a perspective view of a third embodiment of FIG. 1, the difference residing in the shape of the bottom plate.

1 Claim, 4 Drawing Sheets



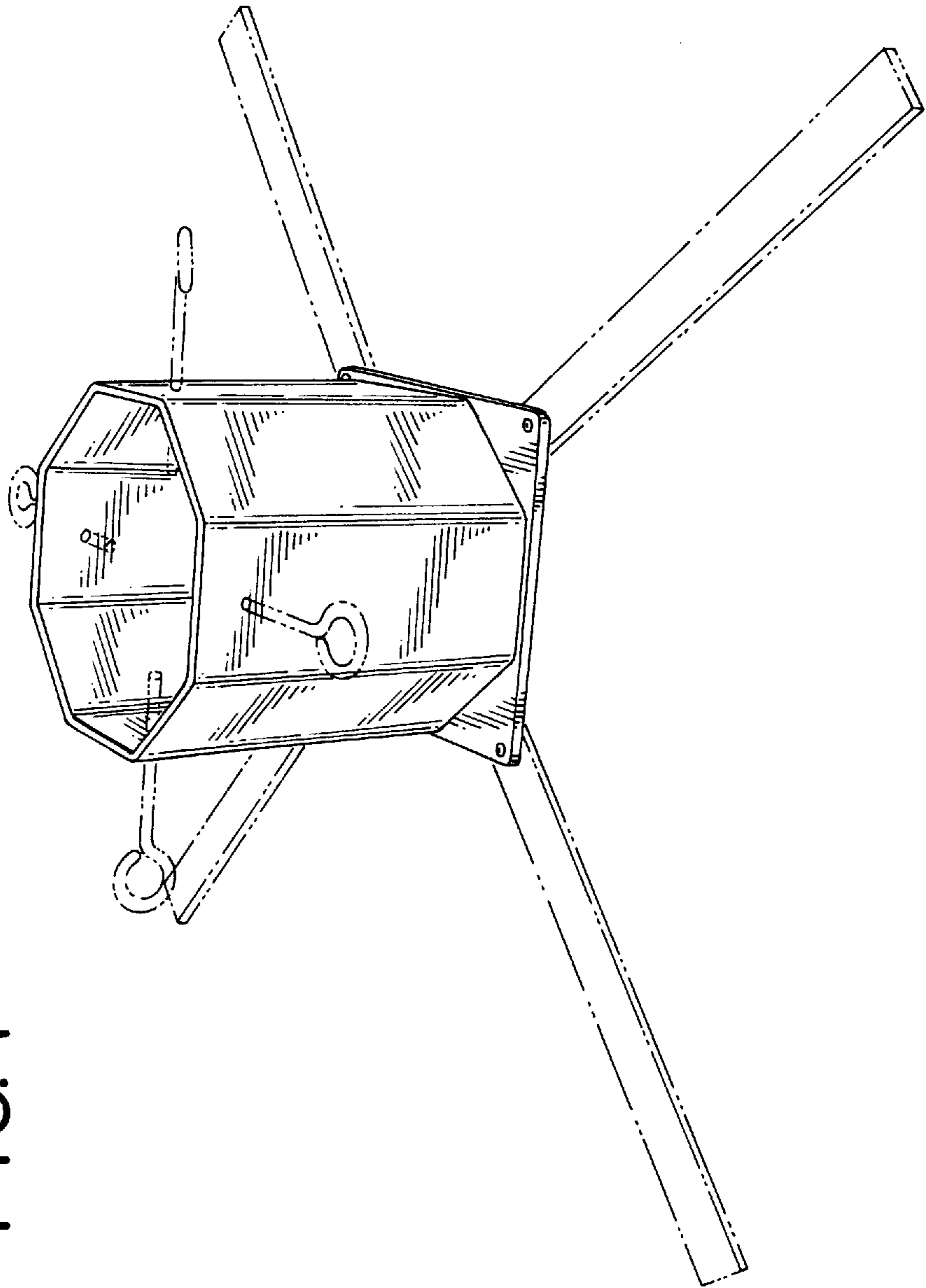


FIG. 1

FIG. 2

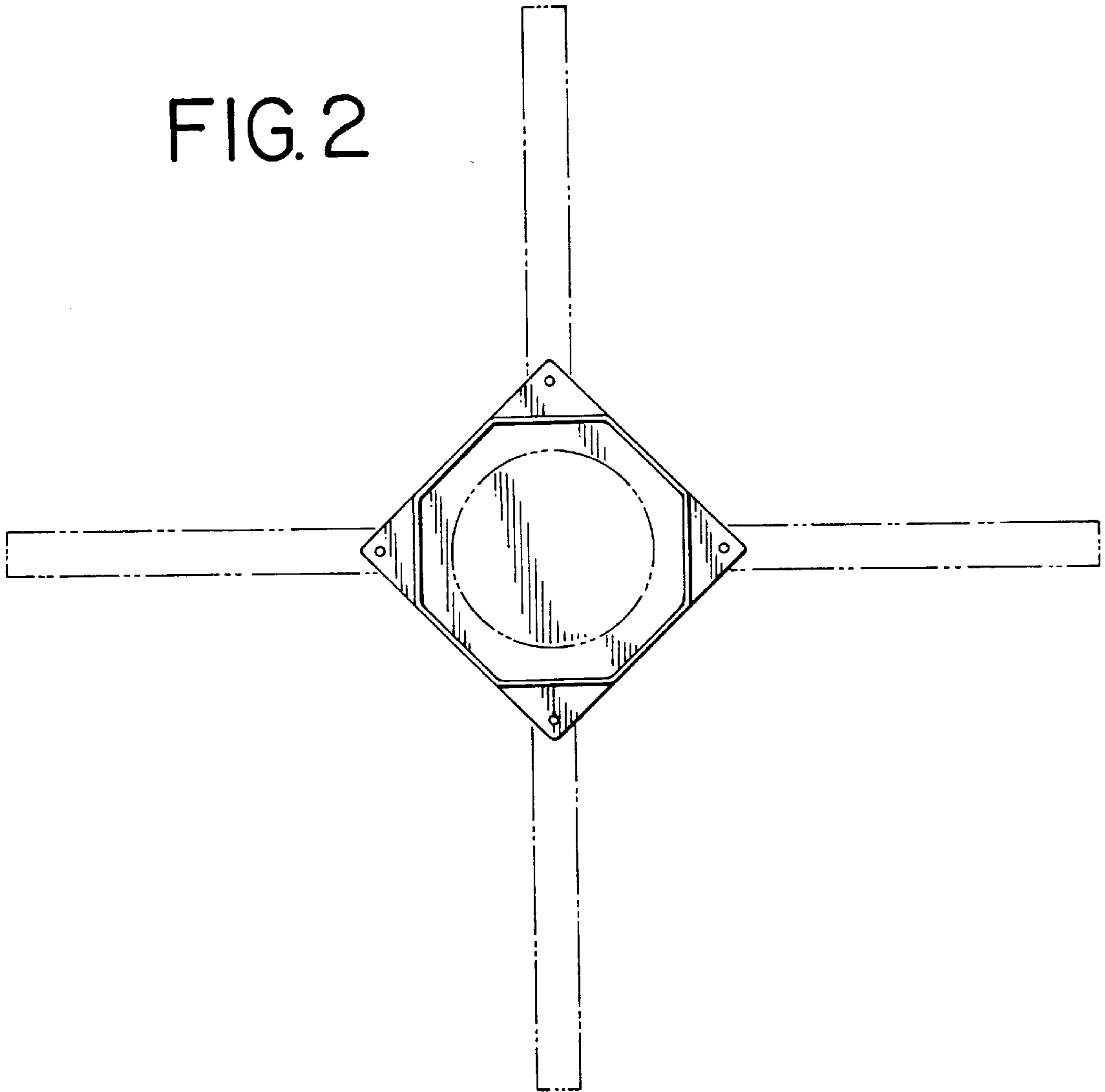


FIG. 3

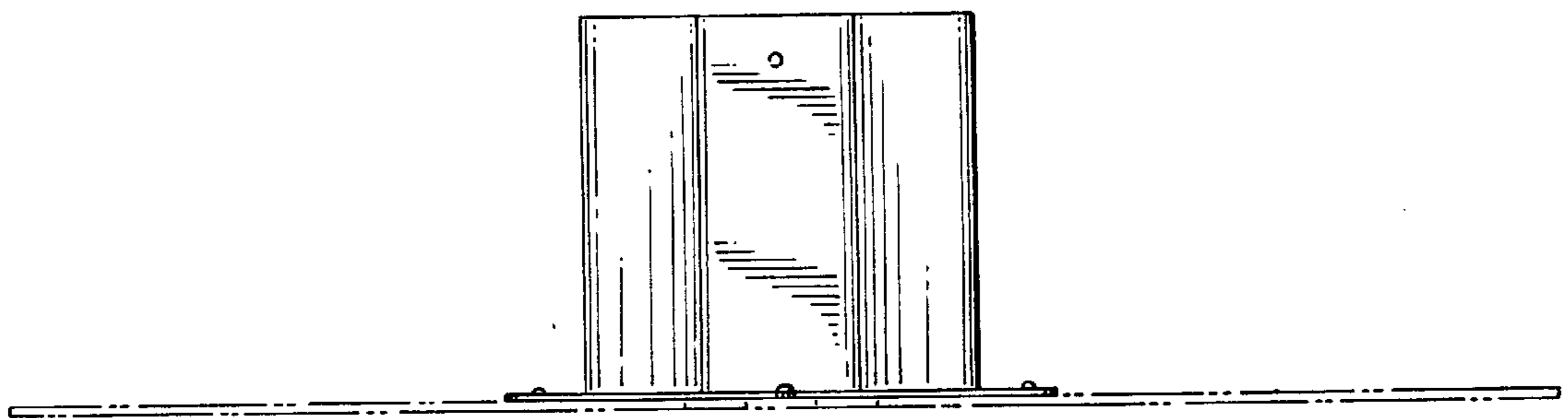


FIG. 4

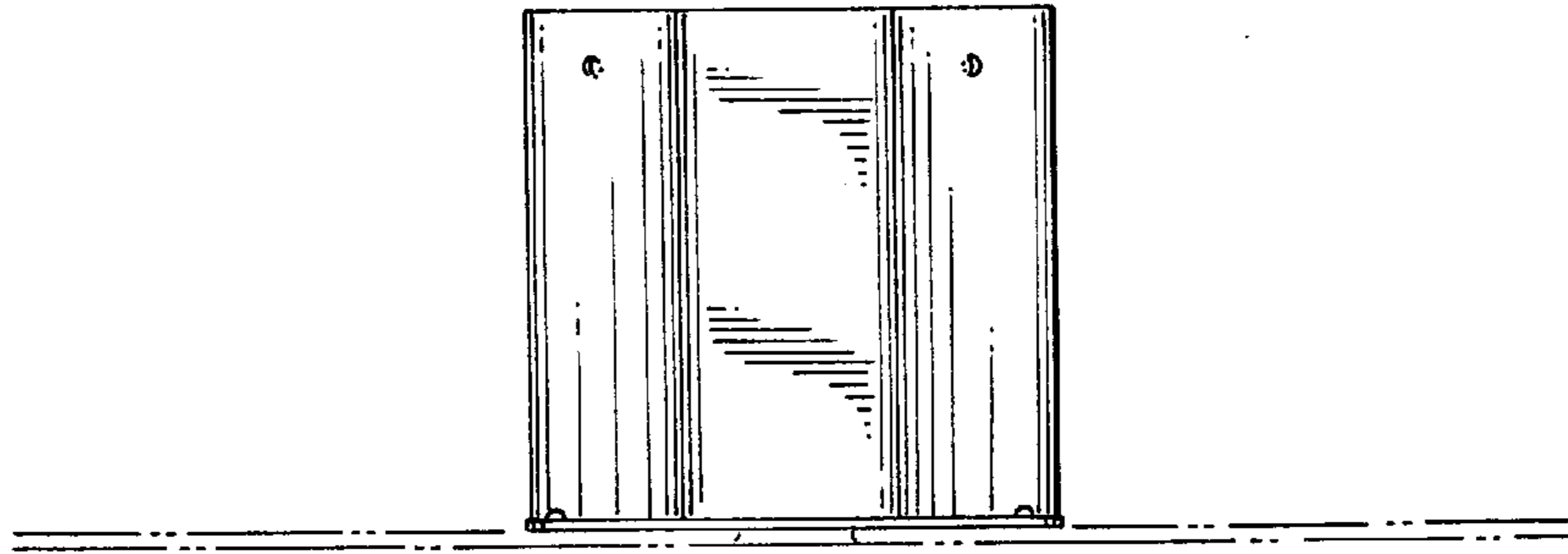


FIG. 5

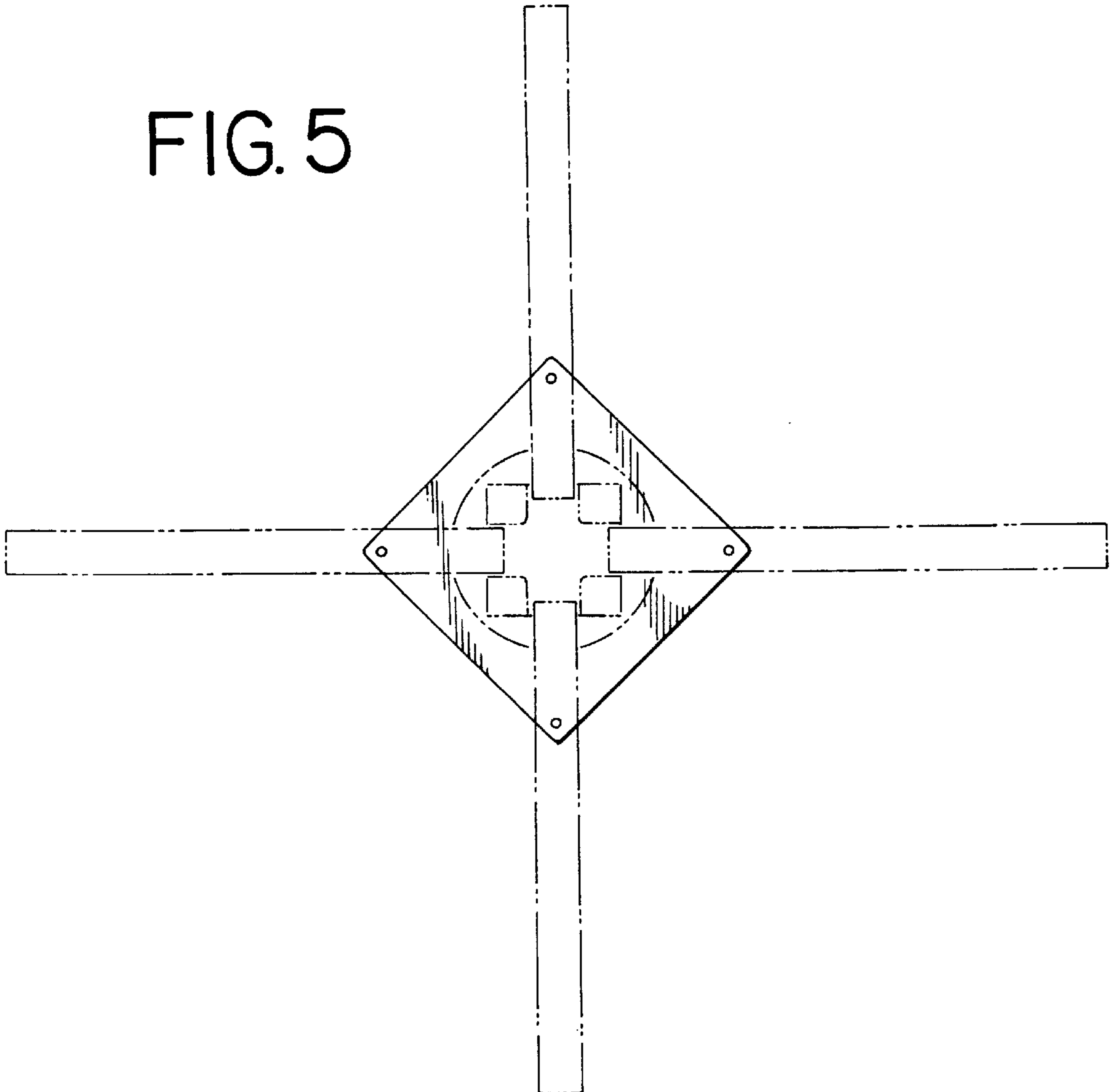


FIG. 6

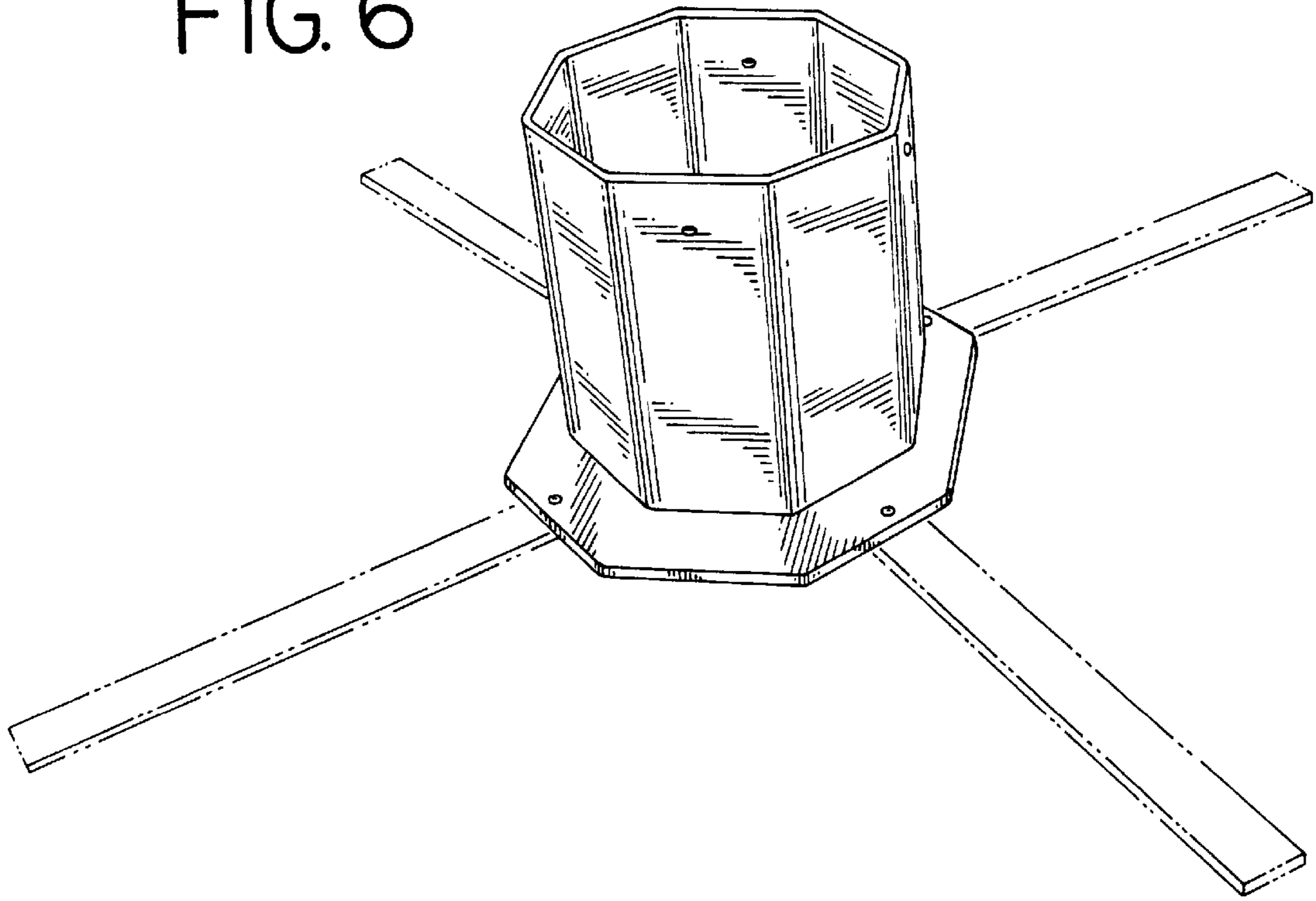


FIG. 7

