

US00D403976S

United States Patent [19]

[11] Patent Number: Des. 403,976

Suzuki et al.

[45] Date of Patent: **Jan. 12, 1999

[54] ELECTRONIC SCALE WITH PRINTER

Primary Examiner—Antoine Duval Davis
Attorney, Agent, or Firm—Morrison Law Firm

[75] Inventors: Yumiko Suzuki, Kodaira; Yoshinori Iida, Tagata-gun, both of Japan

[57] CLAIM

[73] Assignee: Kabushiki Kaisha TEC, Japan

The ornamental design for an electronic scale with printer, as shown.

[**] Term: 14 Years

DESCRIPTION

[21] Appl. No.: 84,930

FIG. 1 is a perspective view of an electronic scale with printer showing our new design;

[22] Filed: Mar. 12, 1998

FIG. 2 is a front elevational view thereof;

[30] Foreign Application Priority Data

Oct. 16, 1997 [JP] Japan 9-71679

FIG. 3 is a rear elevational view thereof;

[51] LOC (6) Cl. 10-04

FIG. 4 is a top plan view thereof;

[52] U.S. Cl. D10/88; D10/89

FIG. 5 is a bottom plan view thereof;

[58] Field of Search D10/87-89; D18/51;
177/210 R, 210 C, 210 EM, 210 FP, 212,
213, 214, 225, 229-232, 235, 238-243,
245, DIG. 3

FIG. 6 is a left side elevational view thereof;

FIG. 7 is a right side elevational view thereof; and,

FIG. 8 is a front elevational view for reference with the indication.

[56] References Cited

U.S. PATENT DOCUMENTS

D. 274,795 7/1984 Wirth D10/91

1 Claim, 7 Drawing Sheets

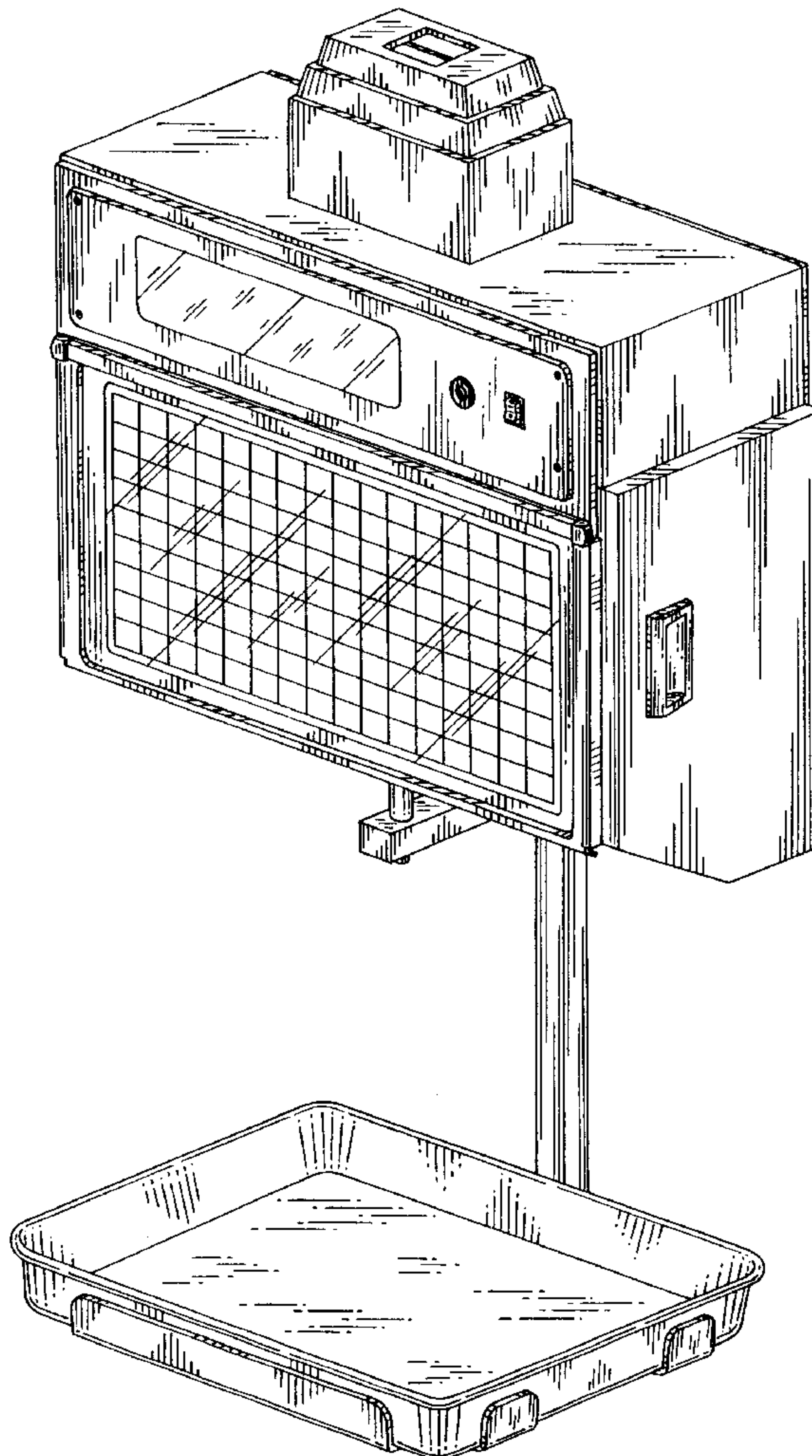


FIG. 1

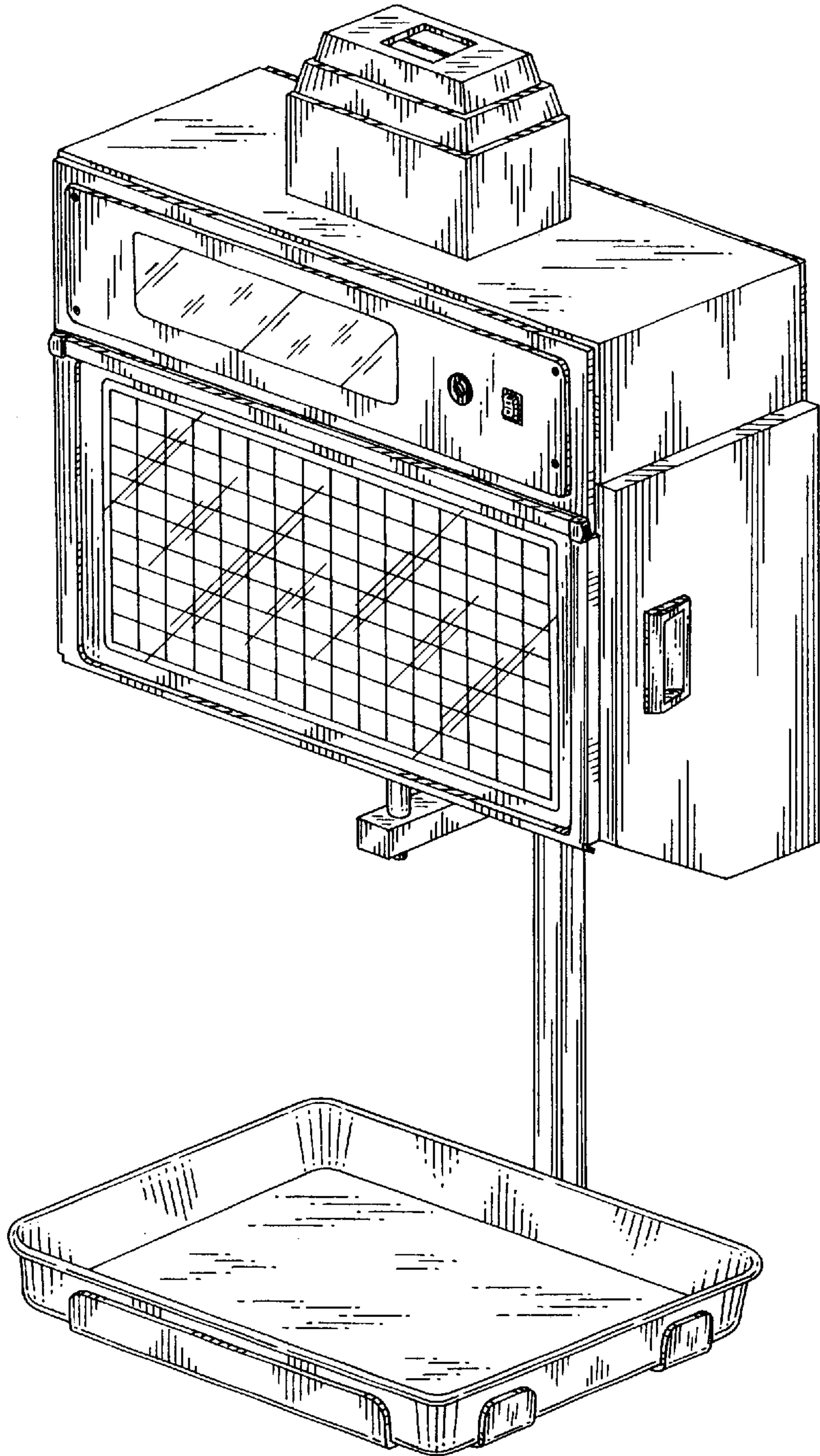


FIG. 2

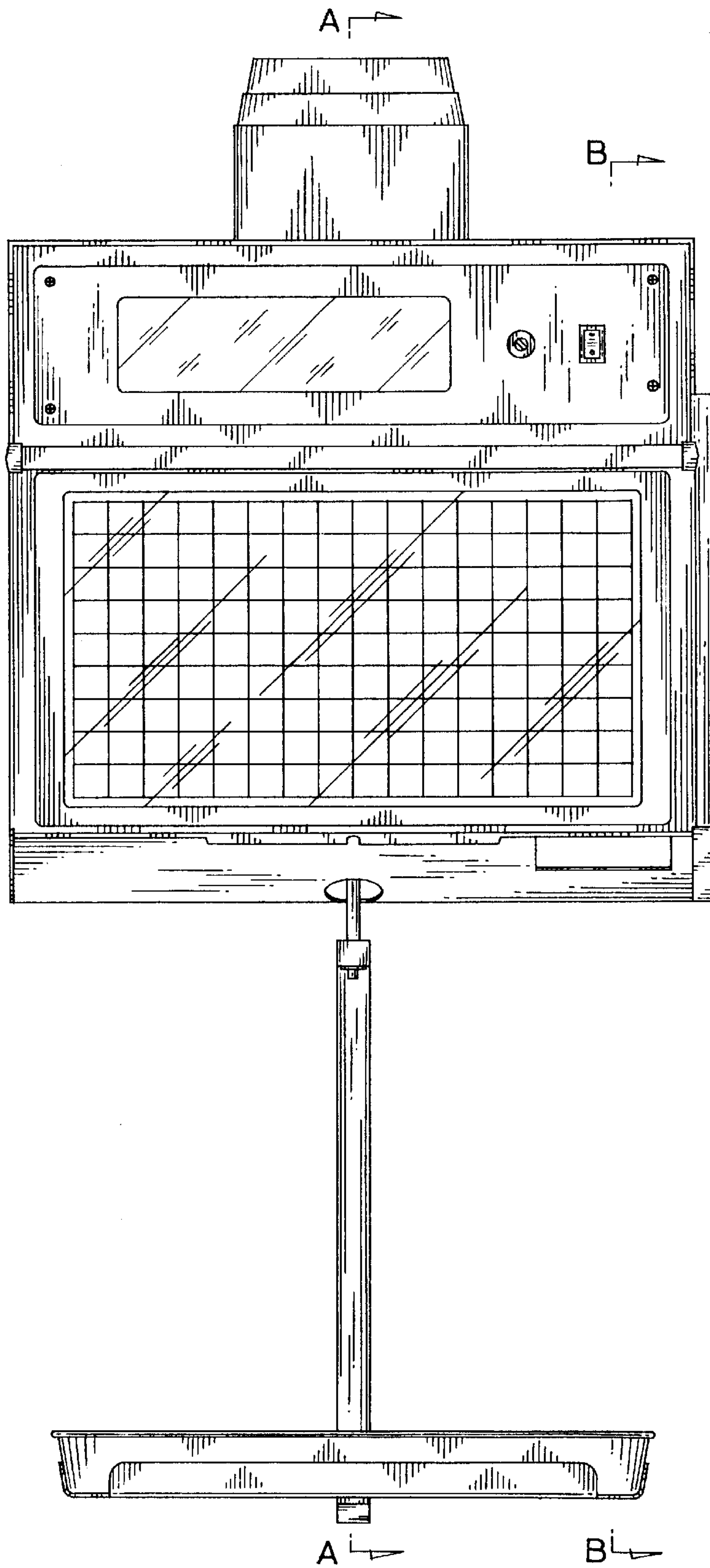


FIG. 3

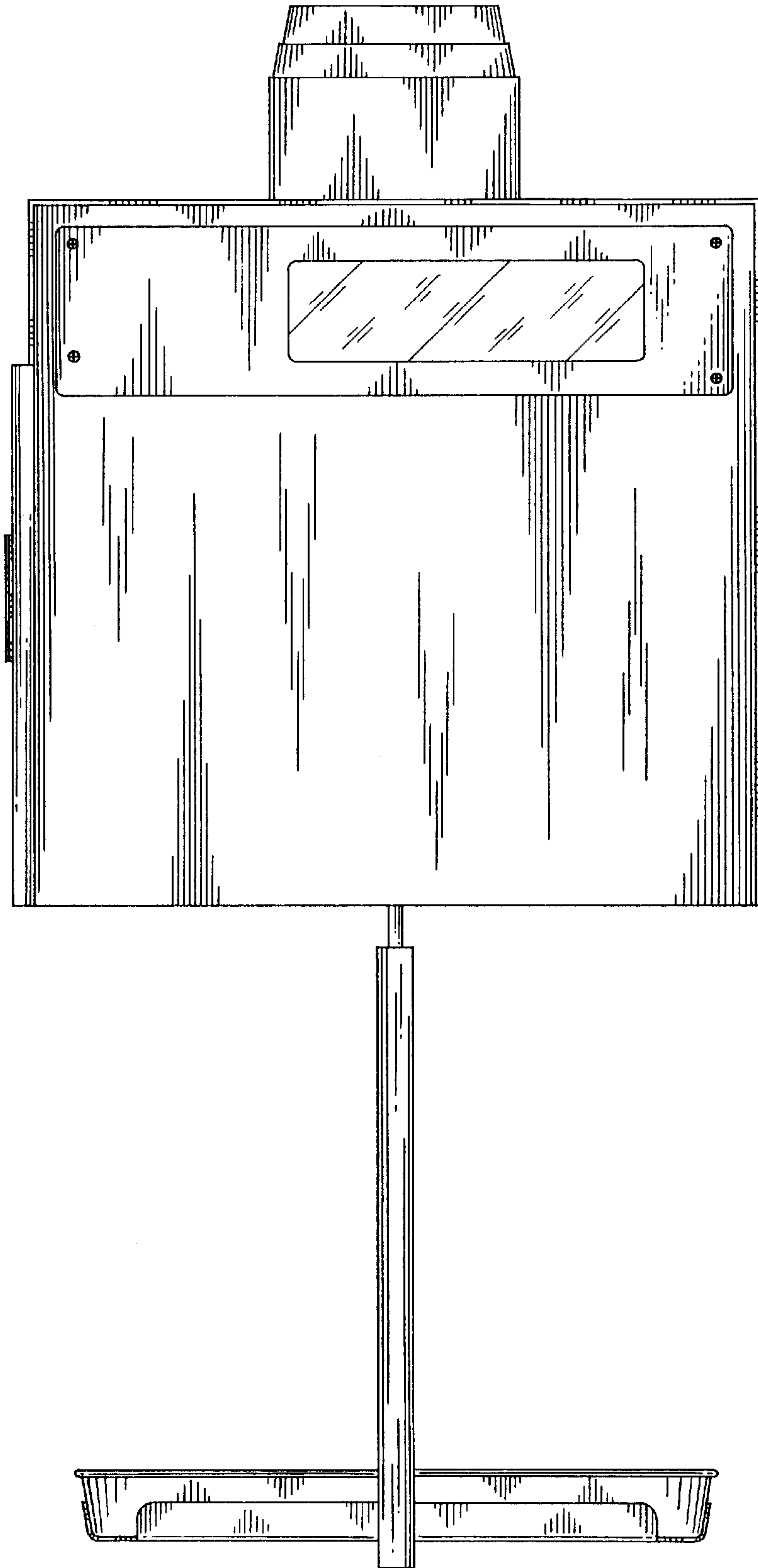


FIG. 4

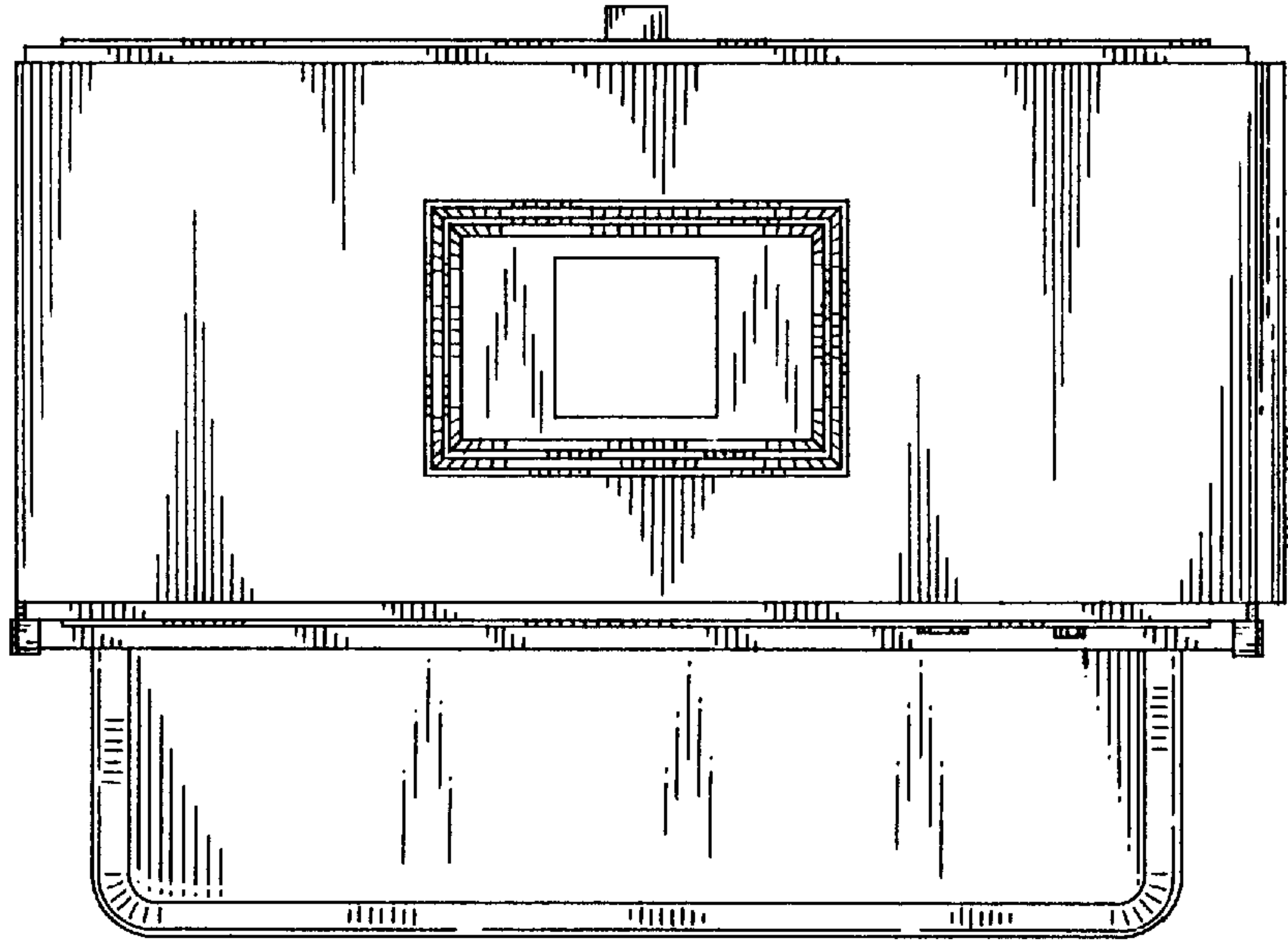


FIG. 5

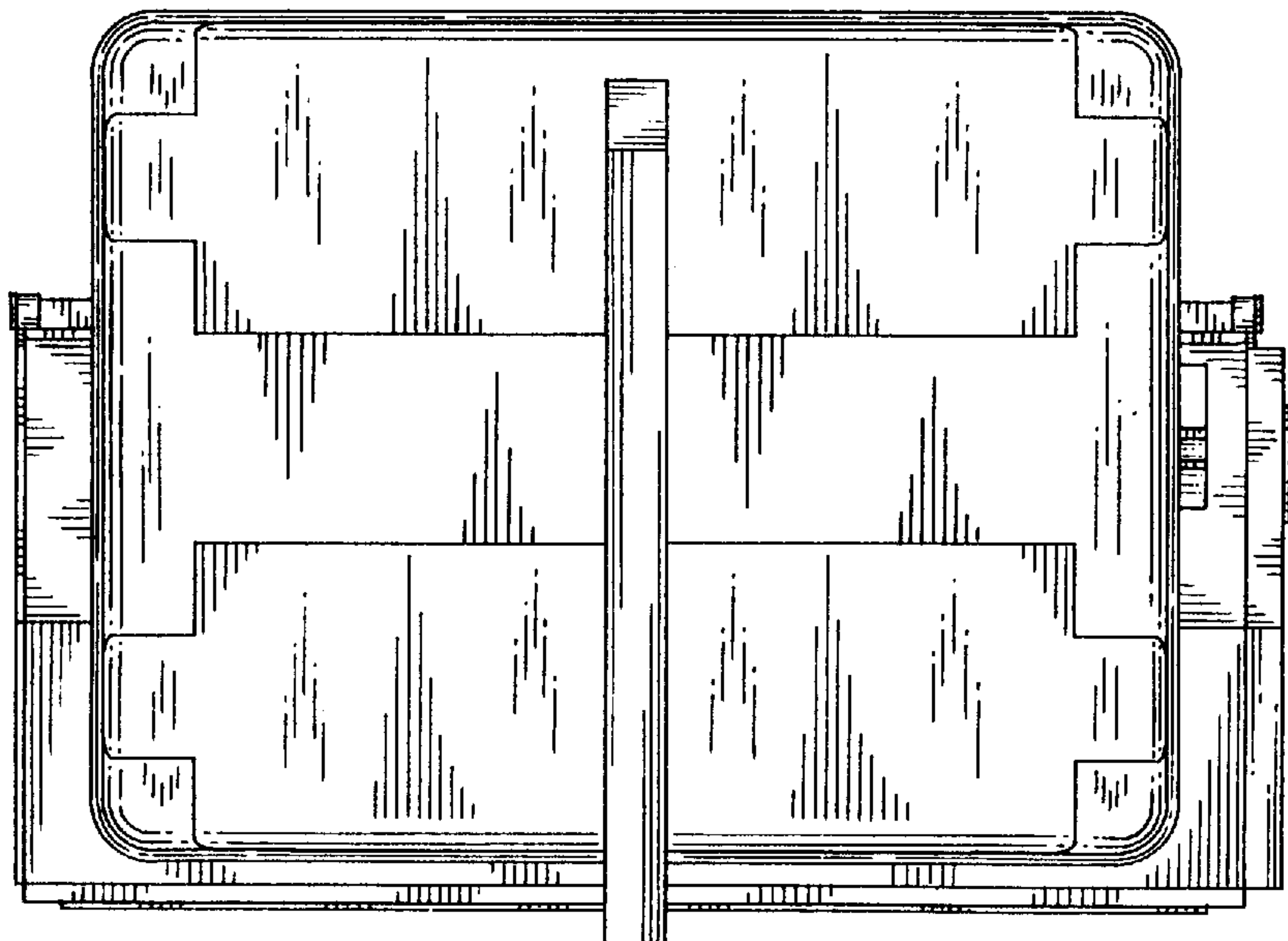


FIG. 6

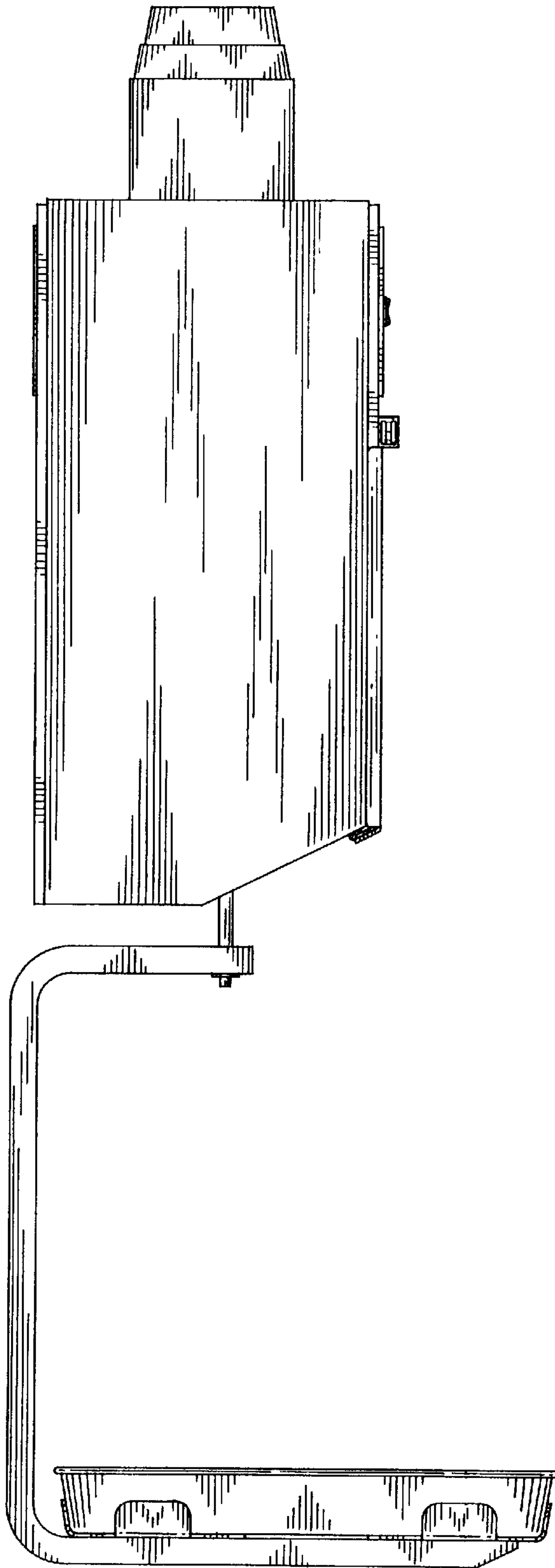


FIG. 7

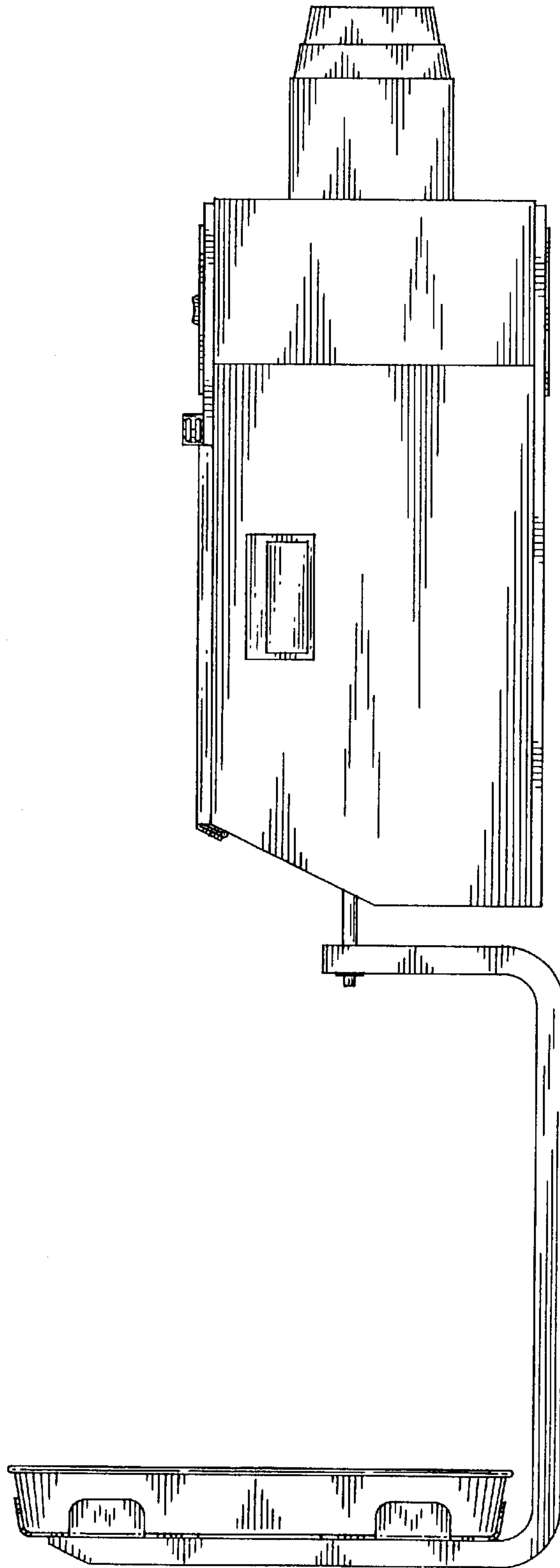


FIG. 8

