

US00D403975S

United States Patent [19]

Douglas et al.

[11] Patent Number: **Des. 403,975**

[45] Date of Patent: ****Jan. 12, 1999**

[54] TEST STRIP DEVICE

[75] Inventors: **Joel S. Douglas**, Santa Clara; **Ryszard Radwanski**, Morgan Hill; **Brent G. Duchon**, San Jose, all of Calif.; **John H. Priest**, Everett, Wash.; **David A. Hasker**, San Jose, Calif.; **John M. Gleisner**, Lynnwood, Wash.

[73] Assignee: **Mercury Diagnostics, Inc.**, Scotts Valley, Calif.

[**] Term: **14 Years**

[21] Appl. No.: **72,445**

[22] Filed: **Jun. 17, 1997**

[51] LOC (6) Cl. **10-04**

[52] U.S. Cl. **D10/81**

[58] Field of Search D10/46, 81, 103, D10/78; 356/446, 423, 244; 422/36, 38, 82.05, 82.09; 420/50; 436/518

[56] **References Cited**

U.S. PATENT DOCUMENTS

4,900,666 2/1990 Phillips .

5,147,606	9/1992	Charlton et al. .	
5,211,914	5/1993	Vogel et al. .	
5,306,623	4/1994	Kiser et al. .	
5,418,142	5/1995	Kiser et al. .	
5,451,350	9/1995	Macho et al. .	
5,518,006	5/1996	Mawhirt et al. .	
5,526,120	6/1996	Jina et al. .	
5,565,170	10/1996	Sakamoto	422/56
5,725,831	3/1998	Reichler et al.	422/56

Primary Examiner—Antoine Duval Davis
Attorney, Agent, or Firm—Burns, Doane, Swecker & Mathis

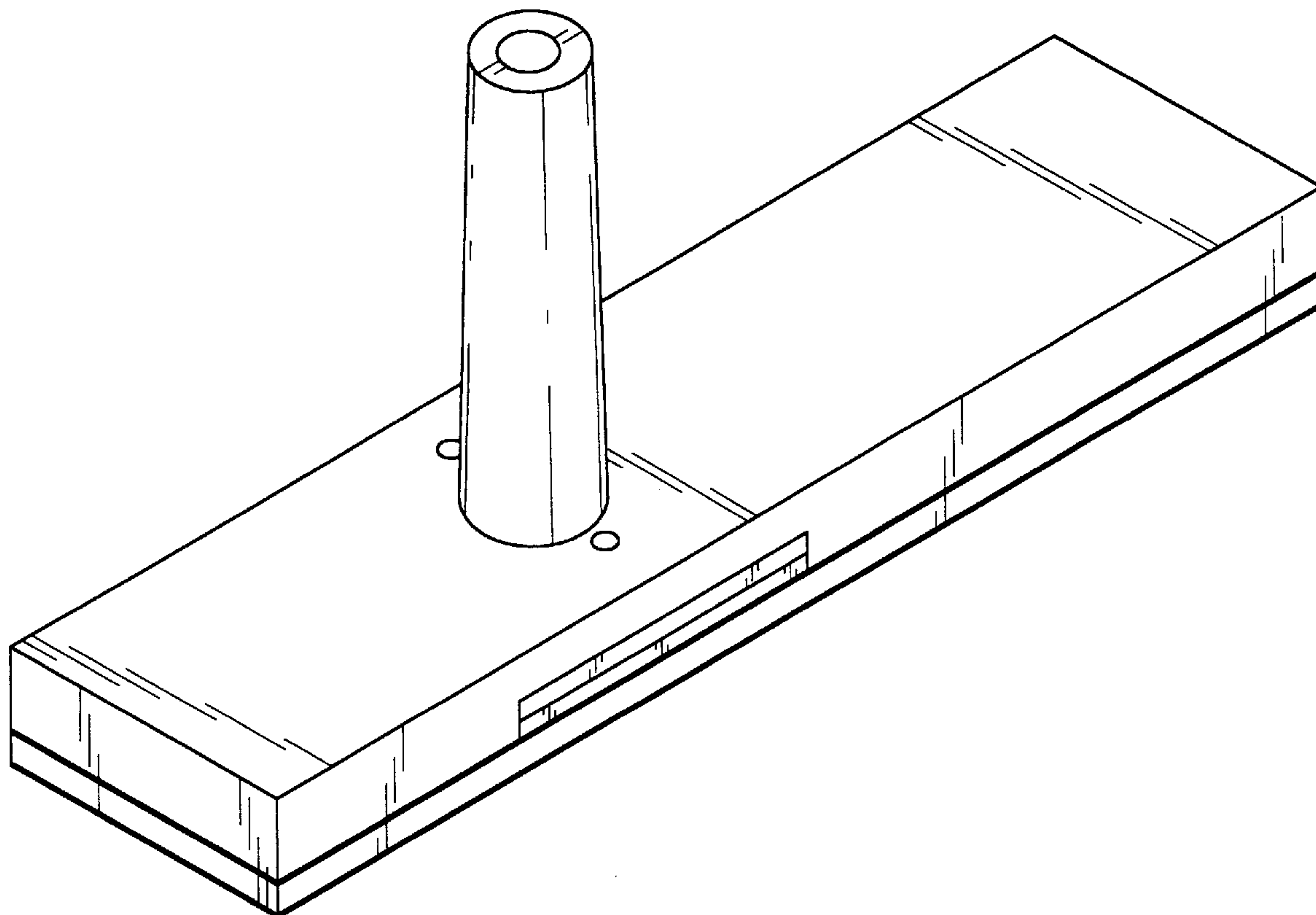
[57] **CLAIM**

The ornamental design for a test strip device, as shown and described.

DESCRIPTION

FIG. 1 is a perspective view of a test strip device; FIG. 2 is a top plan view thereof; FIG. 3 is a left side view thereof; FIG. 4 is a right side view thereof; FIG. 5 is a bottom plan view thereof; FIG. 6 is a front view thereof; and, FIG. 7 is a back view thereof.

1 Claim, 3 Drawing Sheets



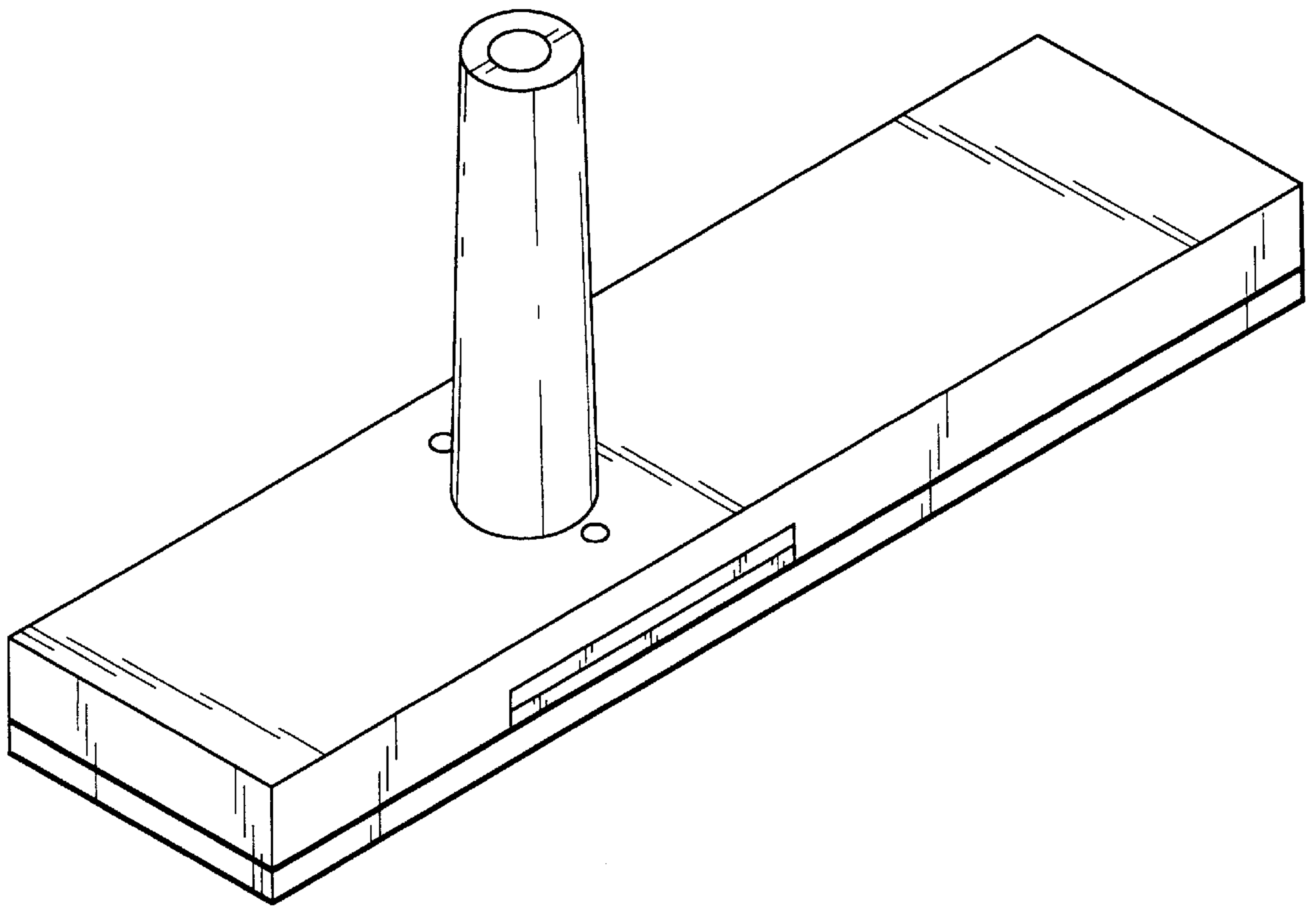


FIG. 1

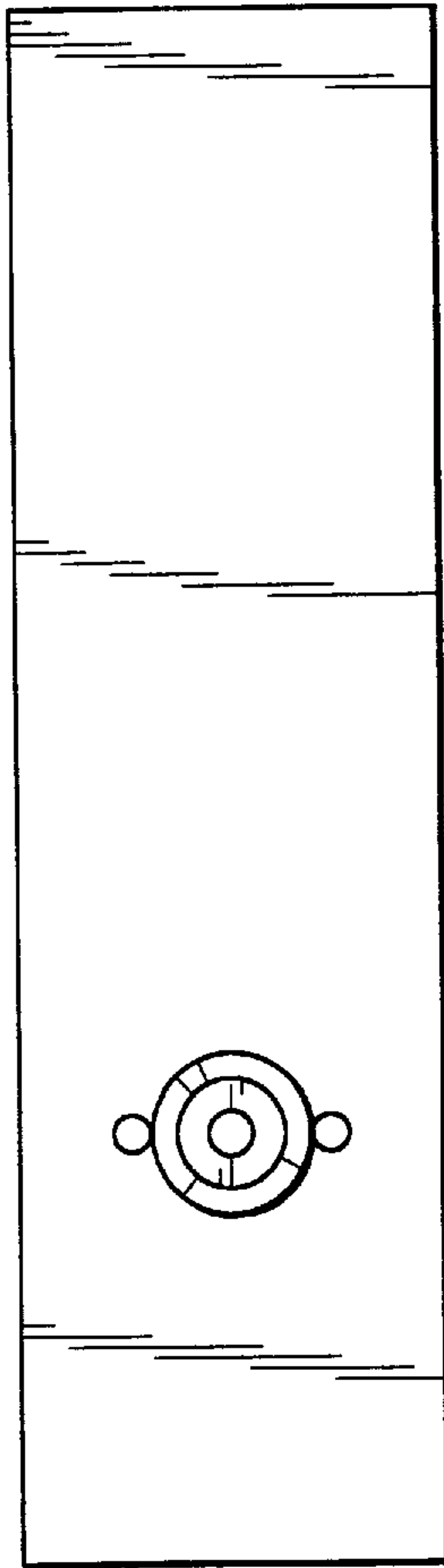


FIG. 2

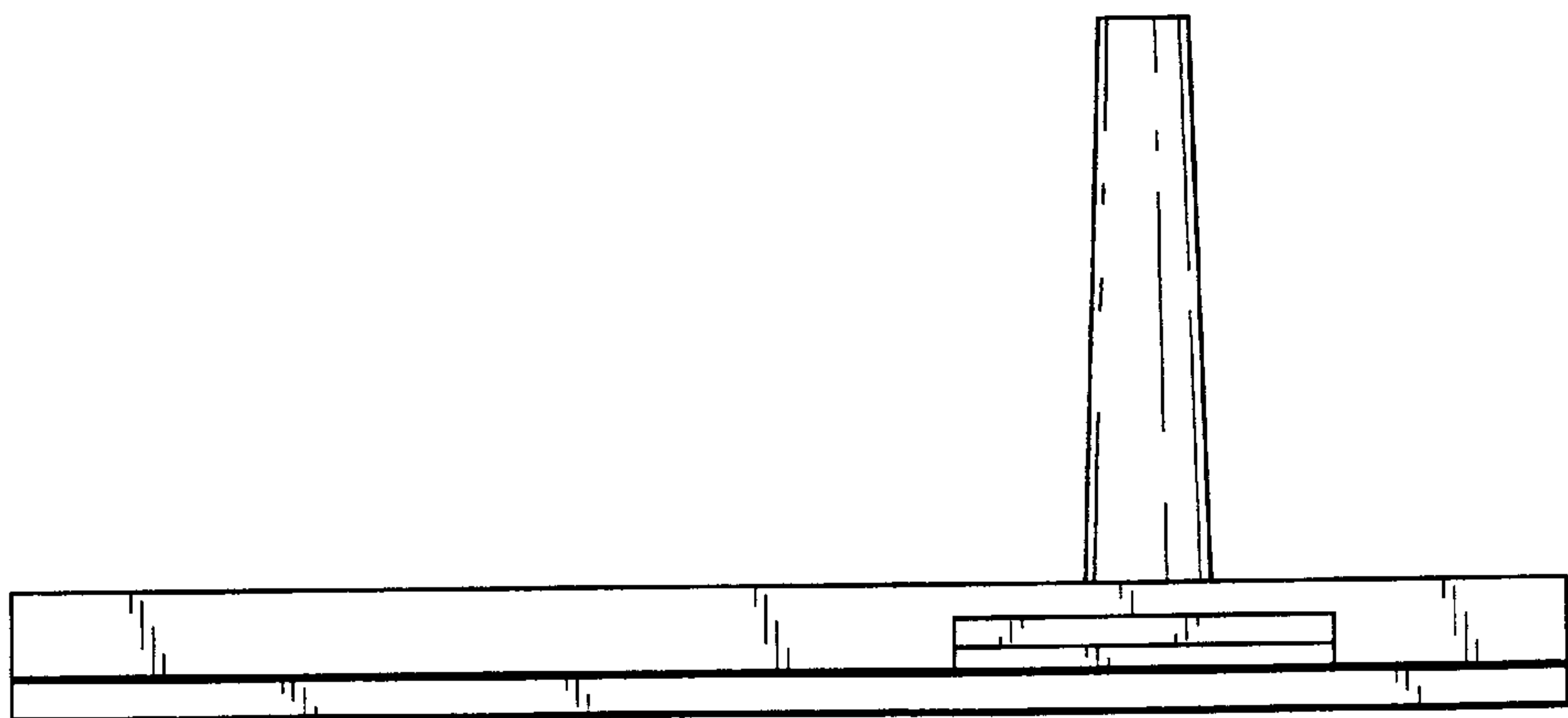


FIG. 3

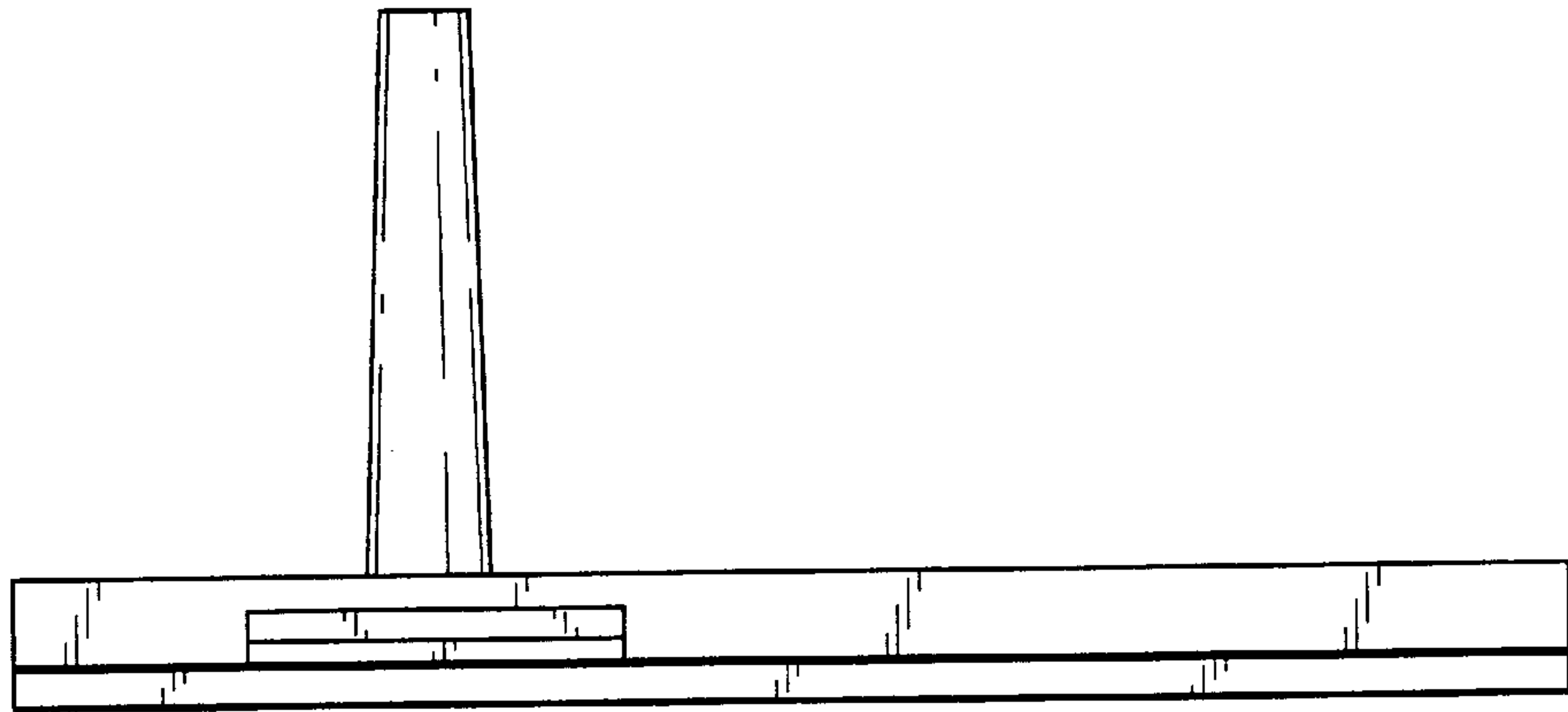


FIG. 4

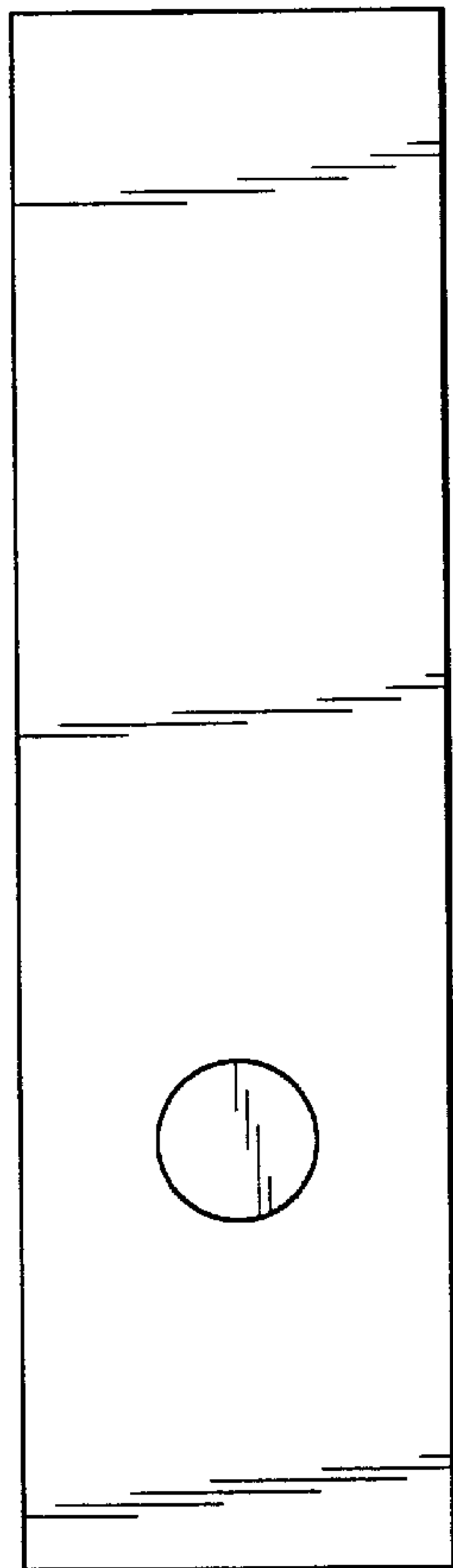


FIG. 5

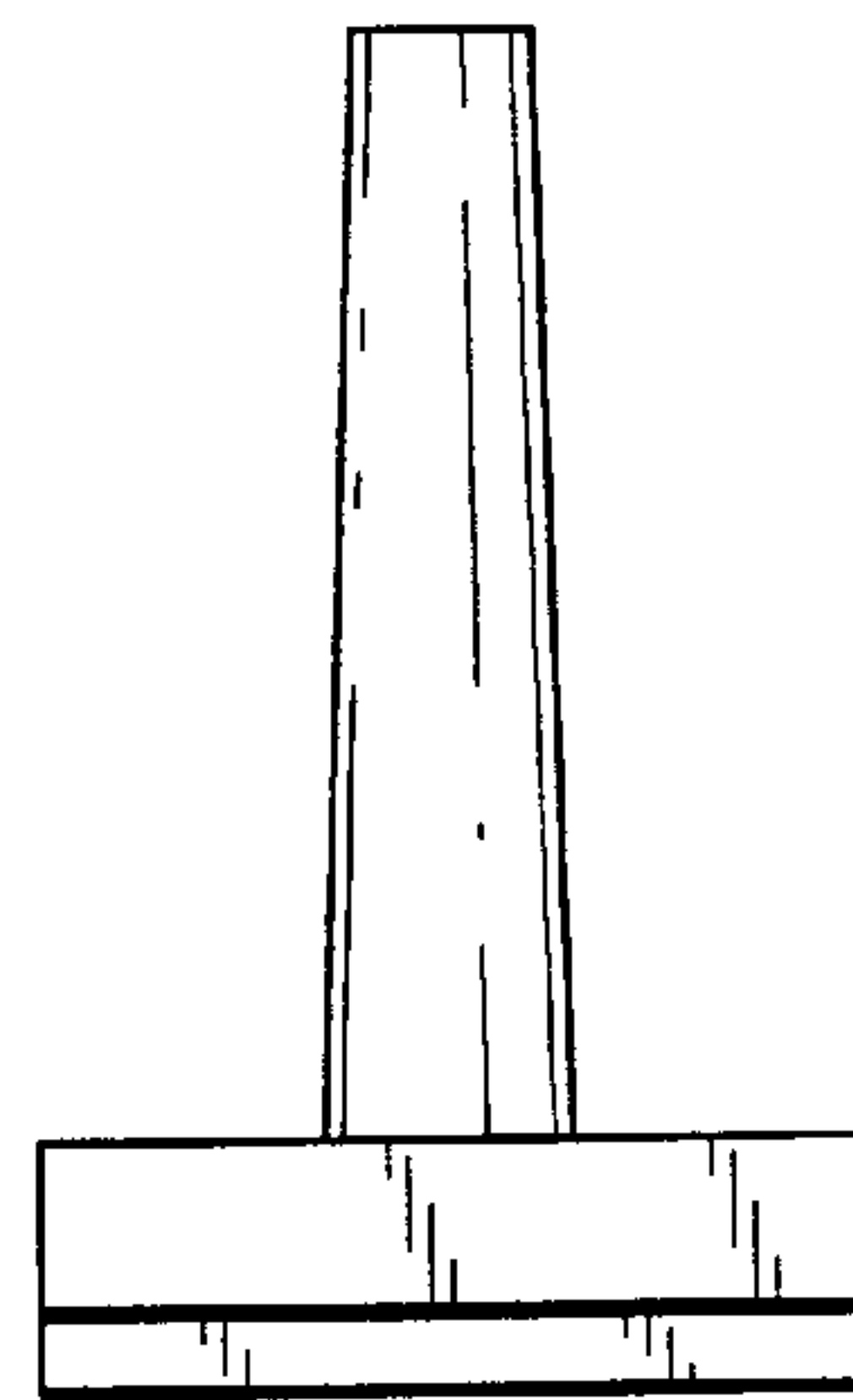


FIG. 6

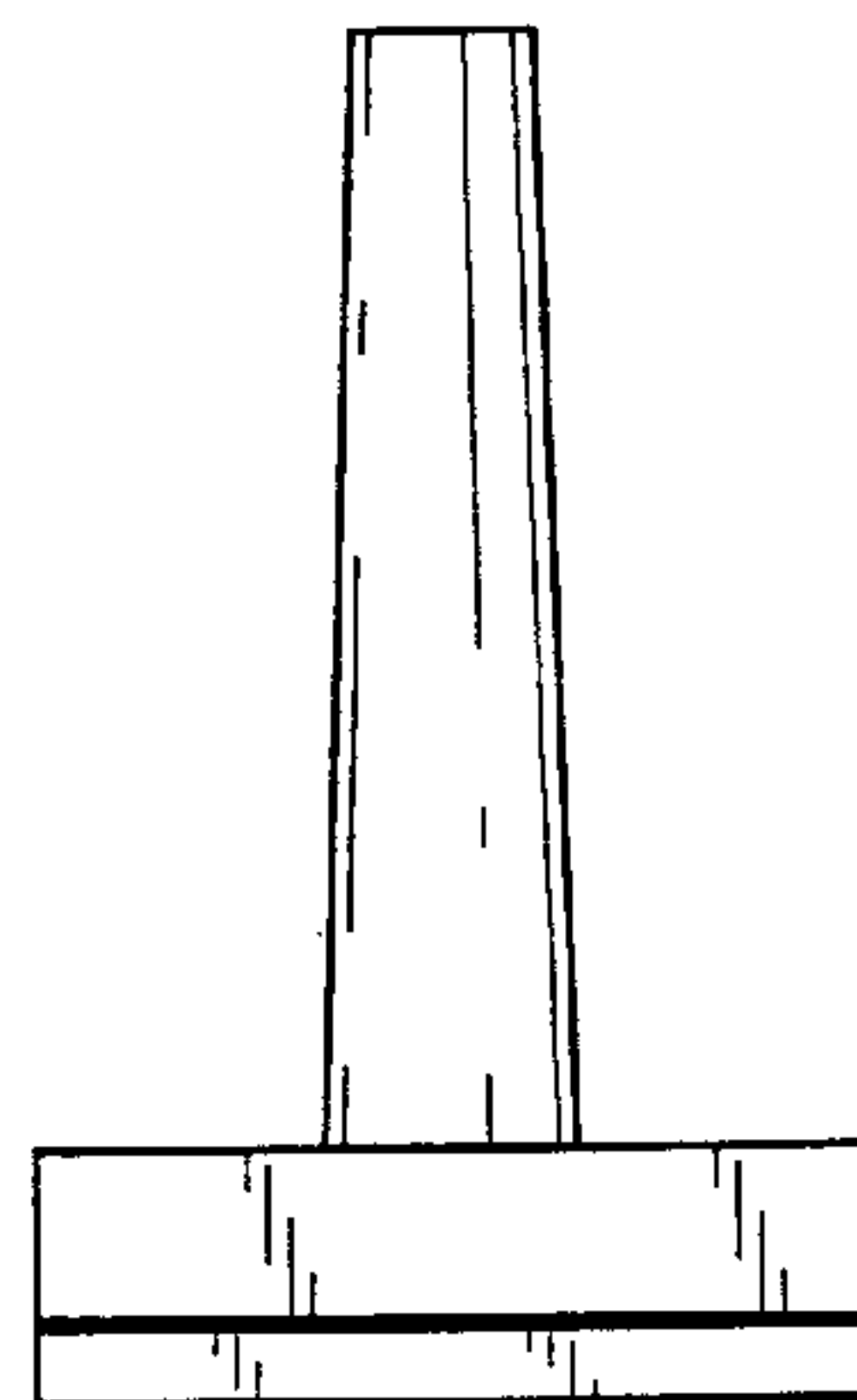


FIG. 7