



US00D403973S

United States Patent [19]
Warth

[11] **Patent Number: Des. 403,973**

[45] **Date of Patent: **Jan. 12, 1999**

[54] **BABY'S THERMOMETER**

Attorney, Agent, or Firm—Dickinson Wright PLLC

[76] Inventor: **Kurt Zeindler Warth,**
Oberschachenweg 6, Ch 6030 Ebikon,
Switzerland

[57] **CLAIM**

The ornamental design for a baby's thermometer, as shown and described.

[**] Term: **14 Years**

DESCRIPTION

[21] Appl. No.: **46,302**

FIG. 1 is a front view of a first embodiment of a baby's thermometer in accordance with the invention;

[22] Filed: **Nov. 13, 1995**

FIG. 2 is an elevational view of the right side of the first embodiment. The left side elevational view of the first embodiment is a mirror image of FIG. 2;

[51] **LOC (6) Cl. 10-04**

[52] **U.S. Cl. D10/57**

[58] **Field of Search D10/57, 58, 52;**
374/151, 190, 208; 128/736; 606/234, 236

FIG. 3 is a bottom plan view of the first embodiment;

FIG. 4 is a top plan view of the first embodiment;

FIG. 5 is a rear view of the first embodiment;

[56] **References Cited**

U.S. PATENT DOCUMENTS

D. 268,651	4/1983	Doyle	D10/57
3,968,690	7/1976	Blovin et al.	374/151
4,447,164	5/1984	Berndt	374/151
4,511,265	4/1985	Berndt	374/151
4,716,902	1/1988	Swartz	606/234
5,033,864	7/1991	Lasecki et al.	374/151
5,176,466	1/1993	Chiu .		
5,176,704	1/1993	Berndt	606/234
5,178,466	1/1993	Chiu	374/151
5,178,704	1/1993	Berndt .		
5,211,479	5/1993	Coffey et al.	374/151
5,534,013	7/1996	Zeindler .		

FIG. 6 is a front view of a second embodiment of a baby's thermometer in accordance with the invention;

FIG. 7 is an elevational view of the right side of the second embodiment. The left side elevational view of the second embodiment is a mirror image of FIG. 7;

FIG. 8 is a bottom plan view of the second embodiment;

FIG. 9 is a top plan view of the second embodiment;

FIG. 10 is a rear view of the second embodiment;

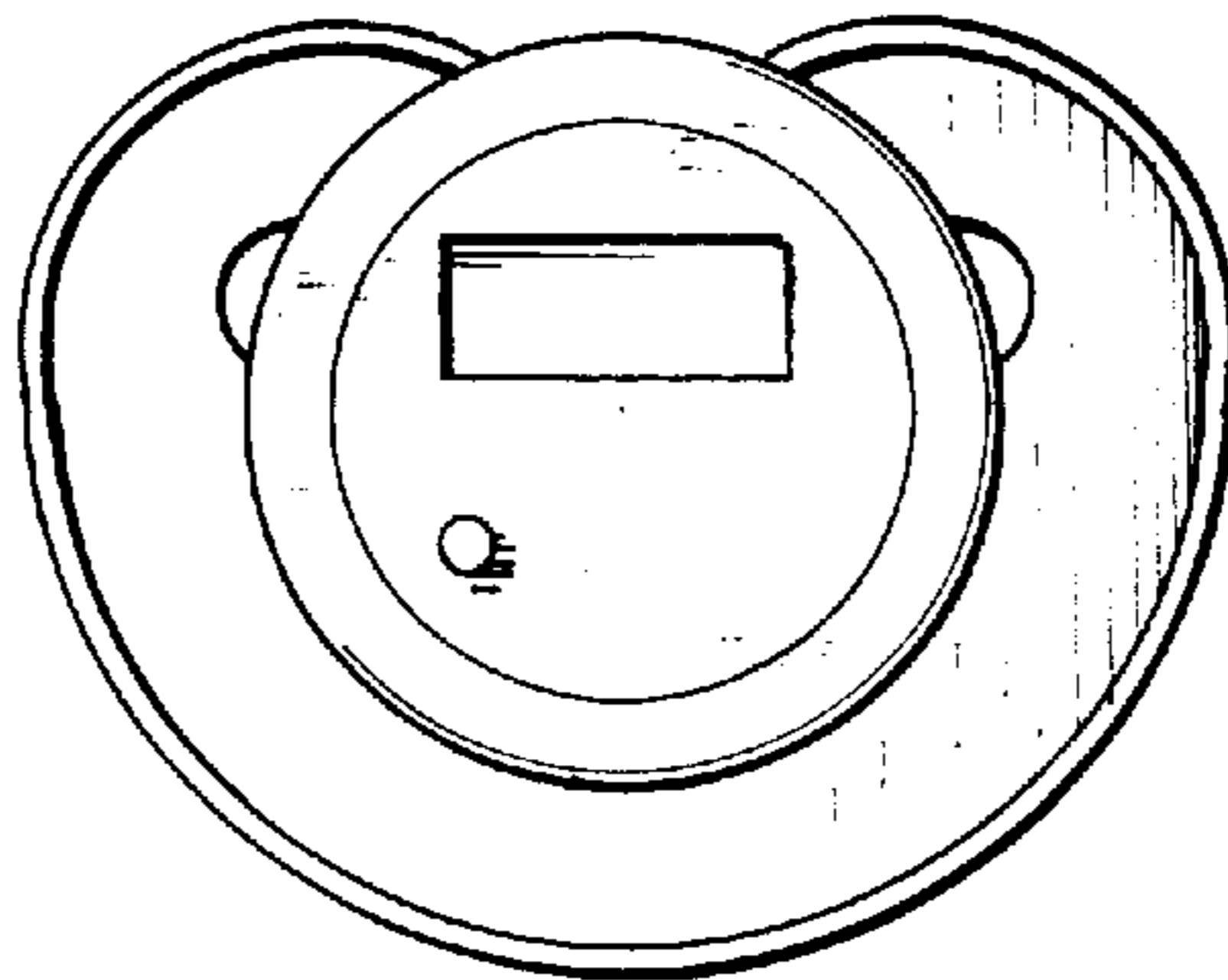
FIG. 11 is a bottom plan view of a third embodiment. The front view is the same as shown in FIG. 6. The side view is the same as shown in FIG. 7.

The rear view is the same as shown in FIG. 10; and,

FIG. 12 is a top plan view of the third embodiment.

Primary Examiner—Antoine Duval Davis

1 Claim, 3 Drawing Sheets



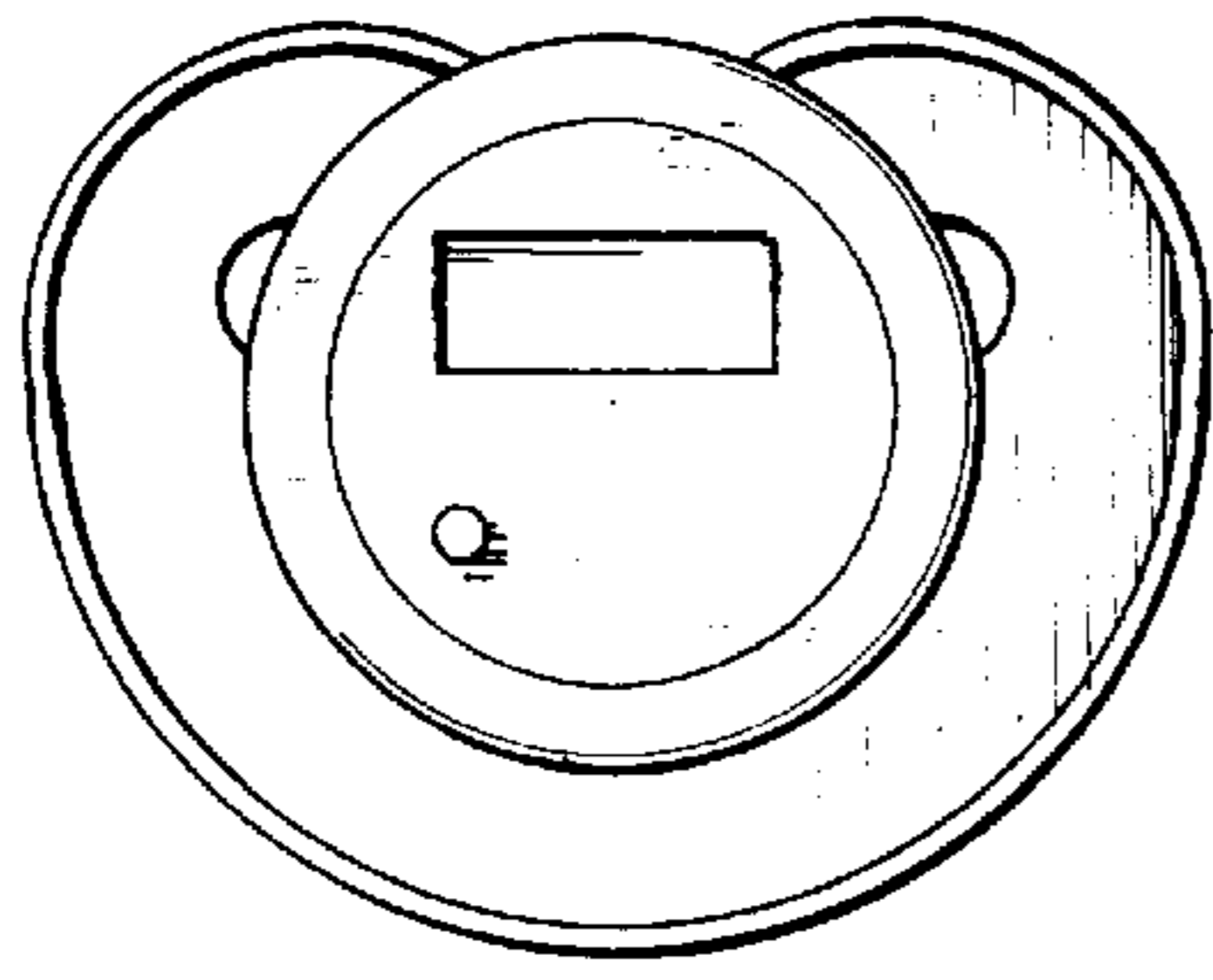


FIG. 1

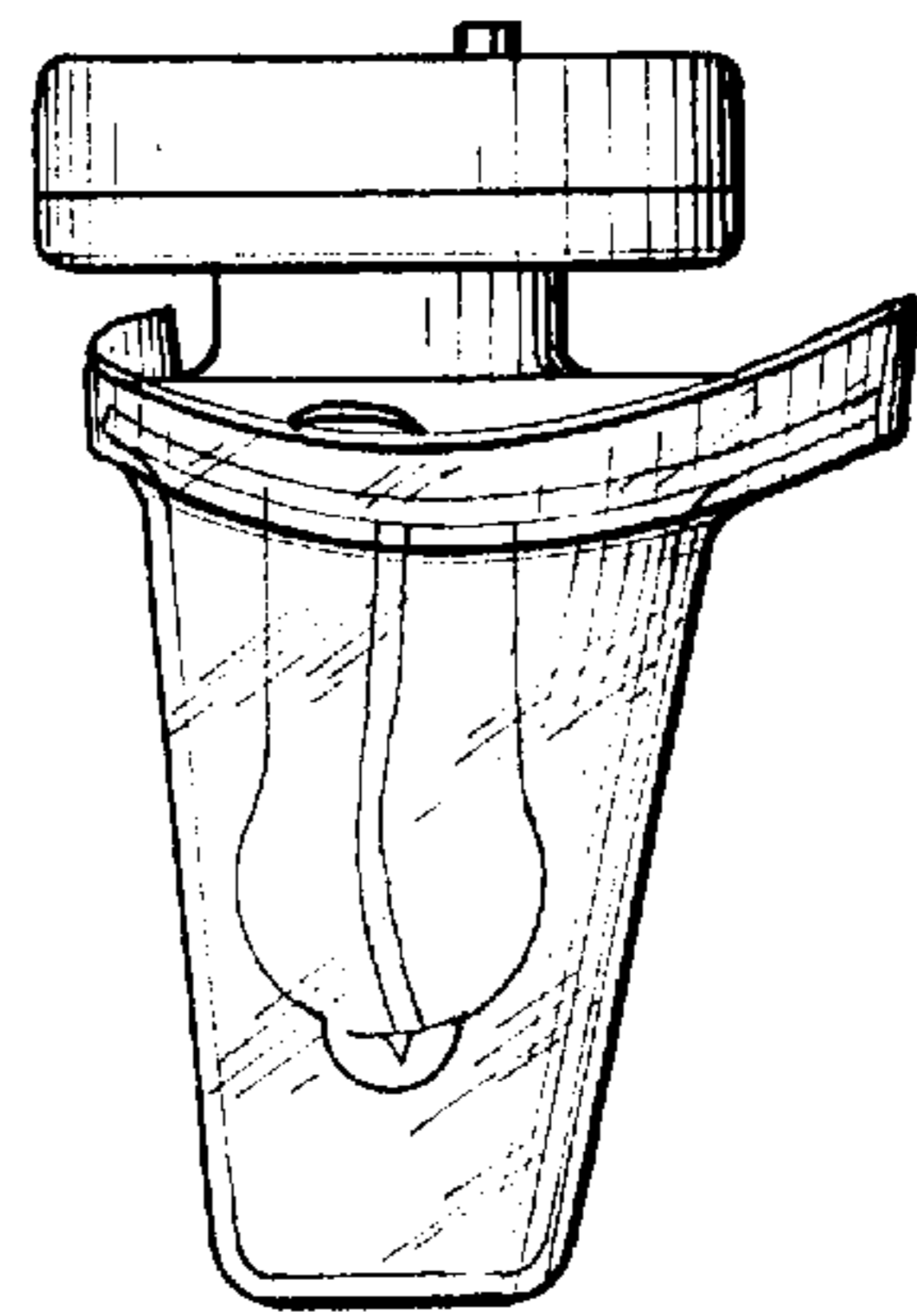


FIG. 2

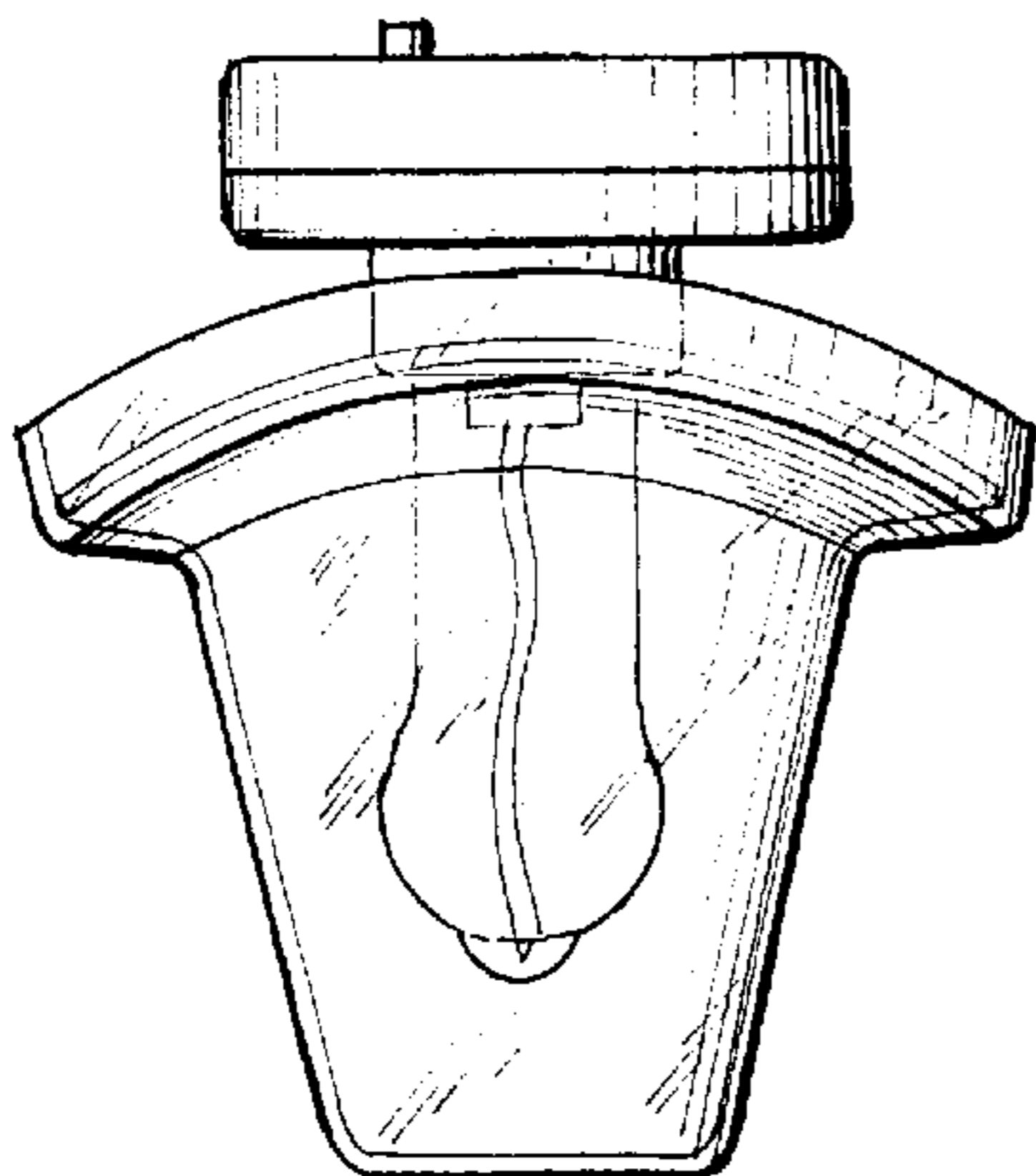


FIG. 3

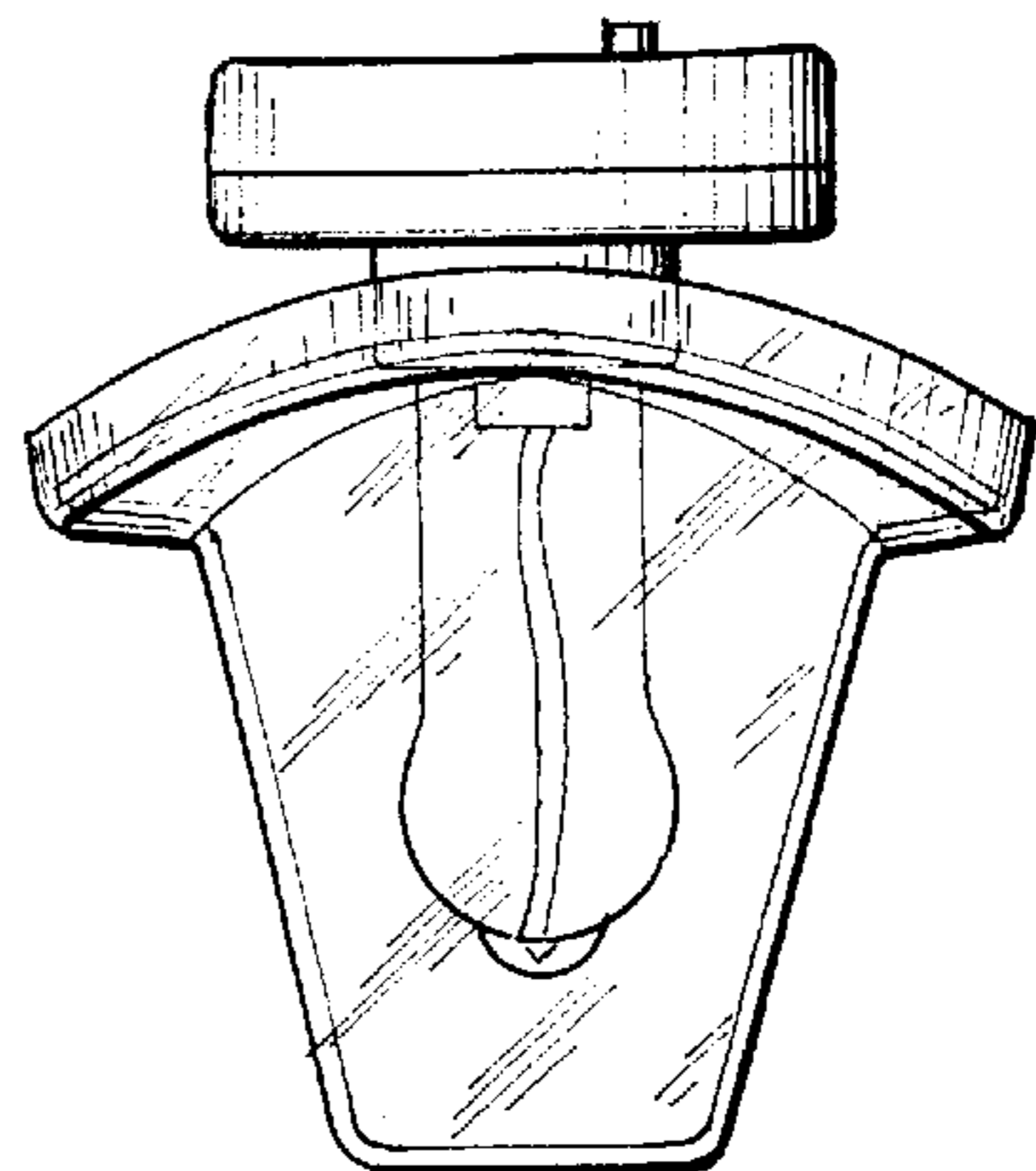


FIG. 4

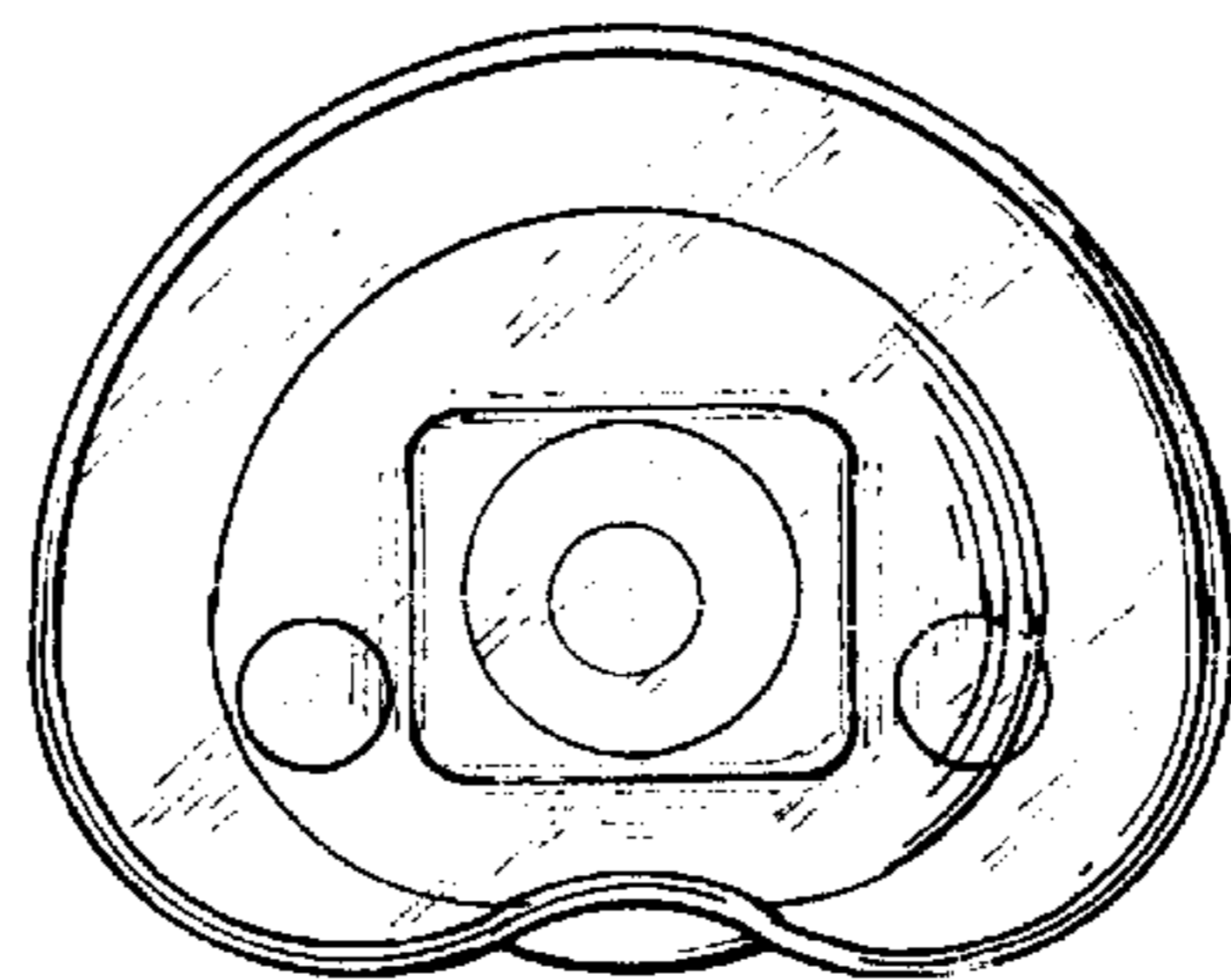


FIG. 5

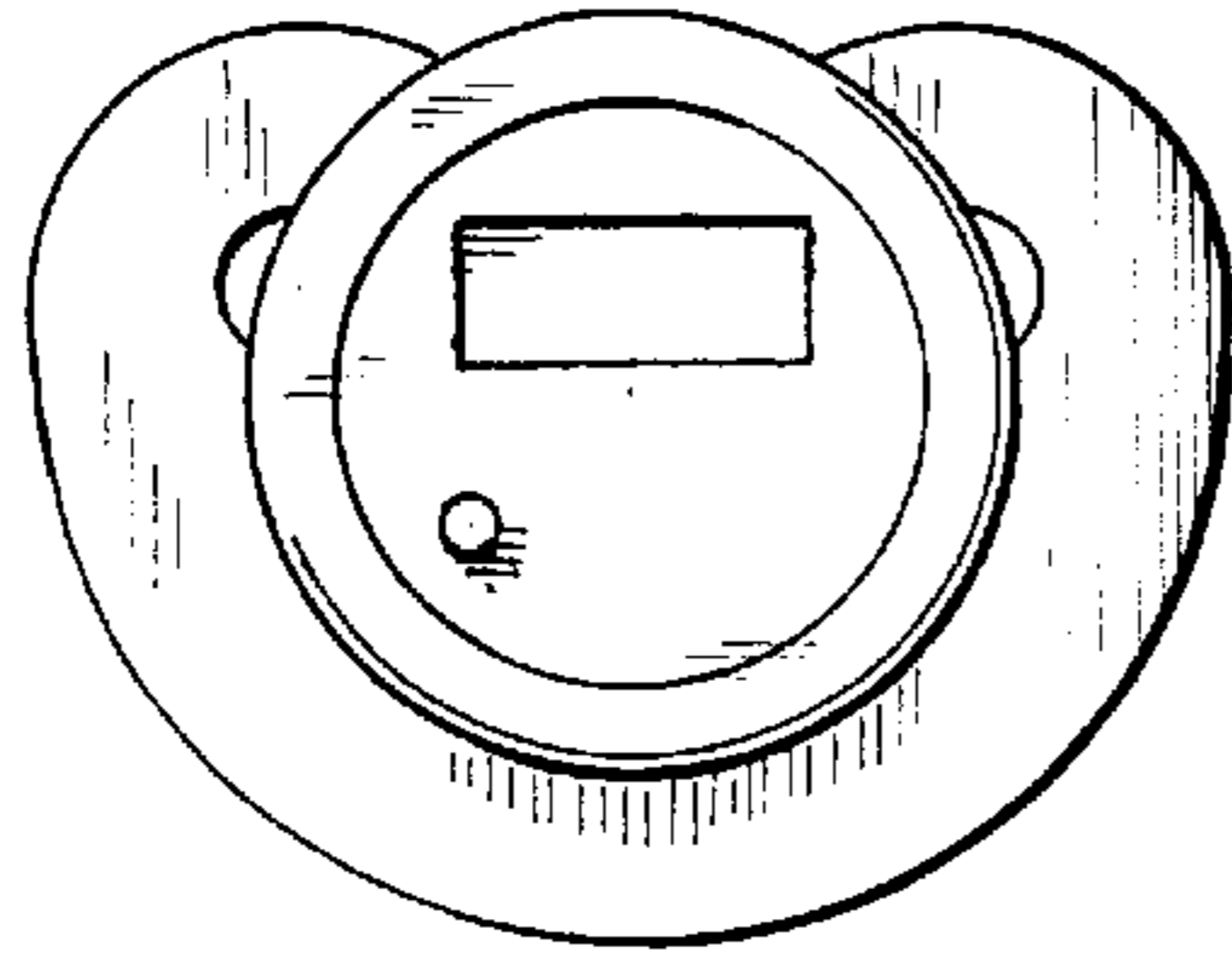


FIG. 6

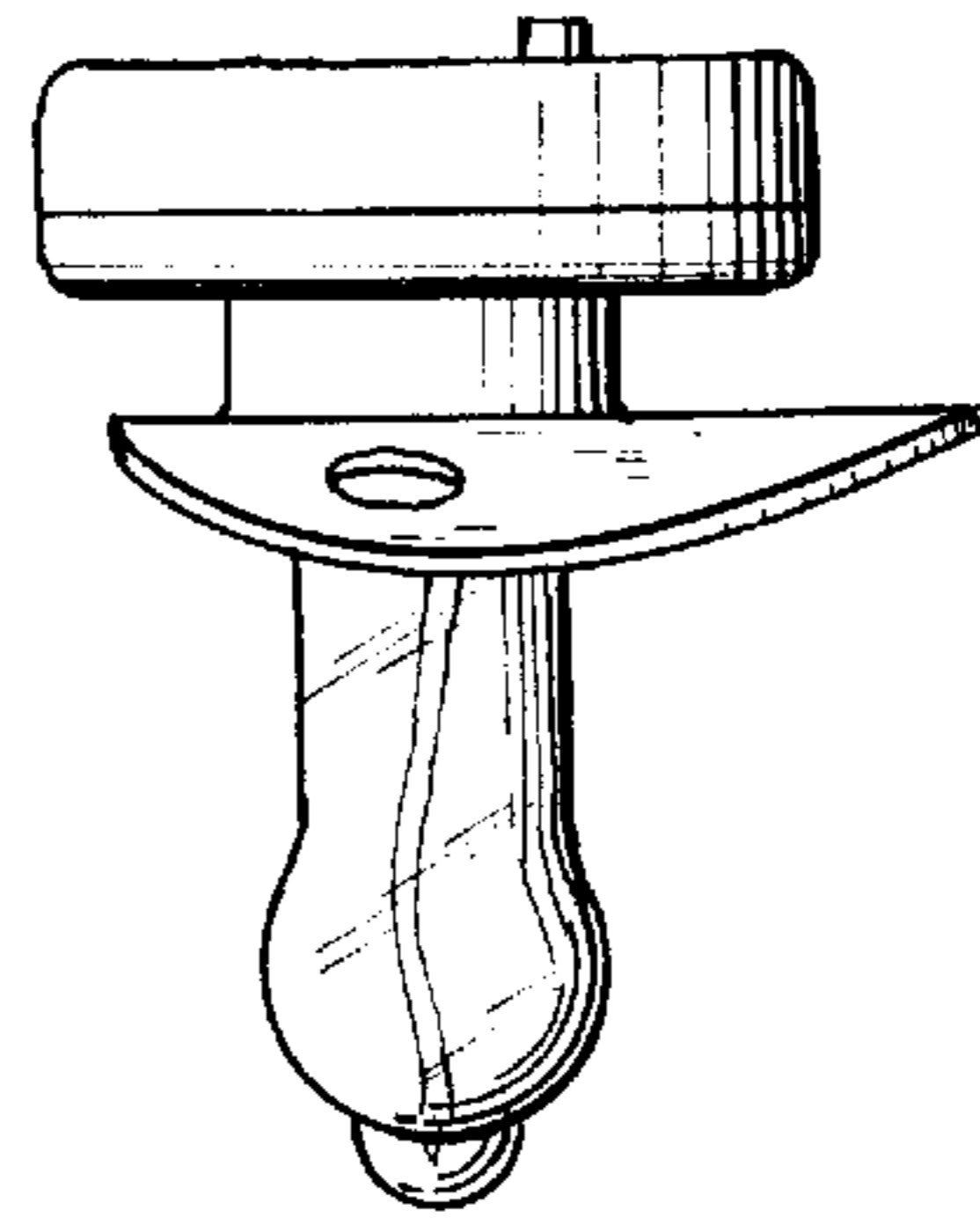


FIG. 7

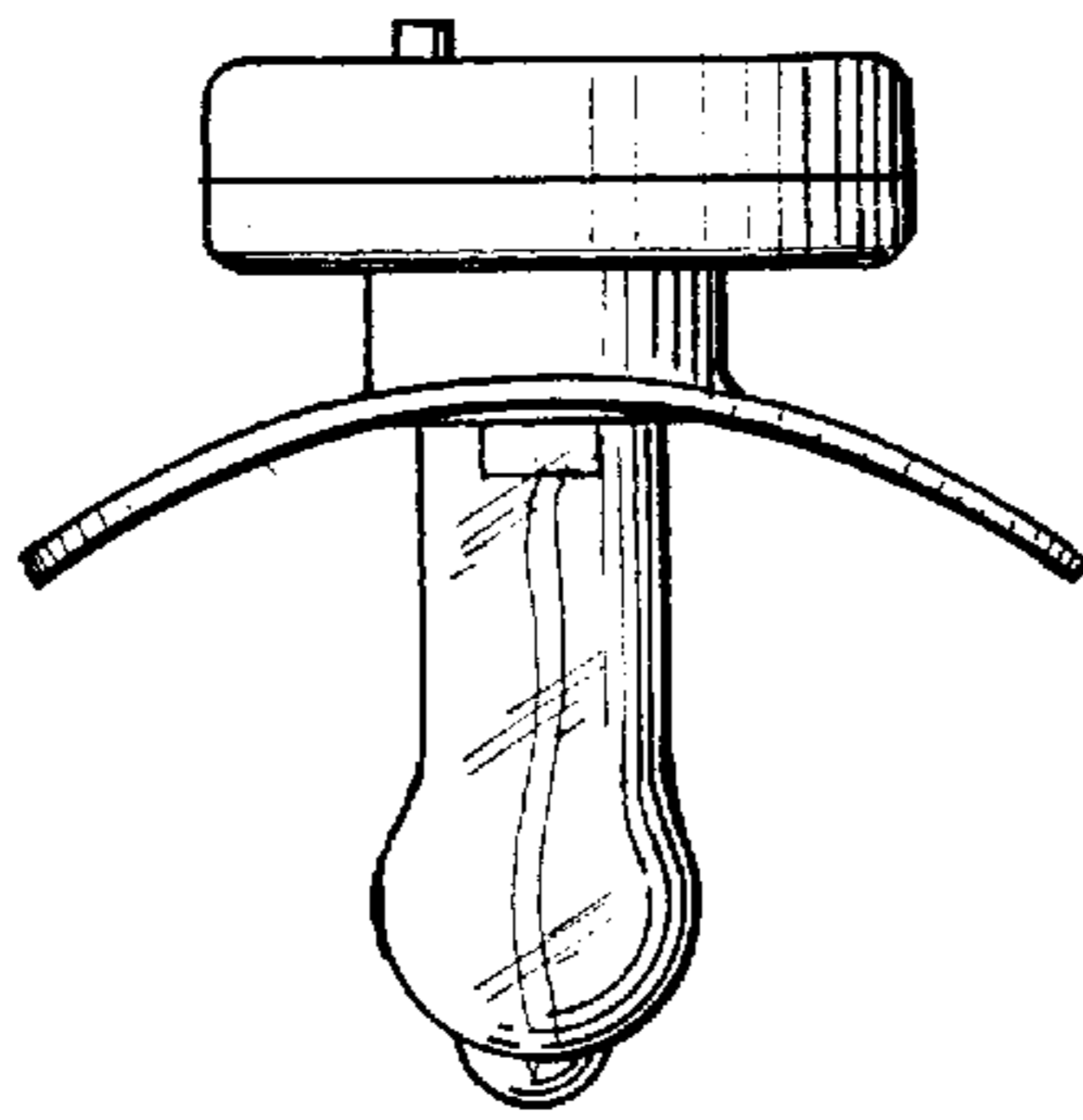


FIG. 8

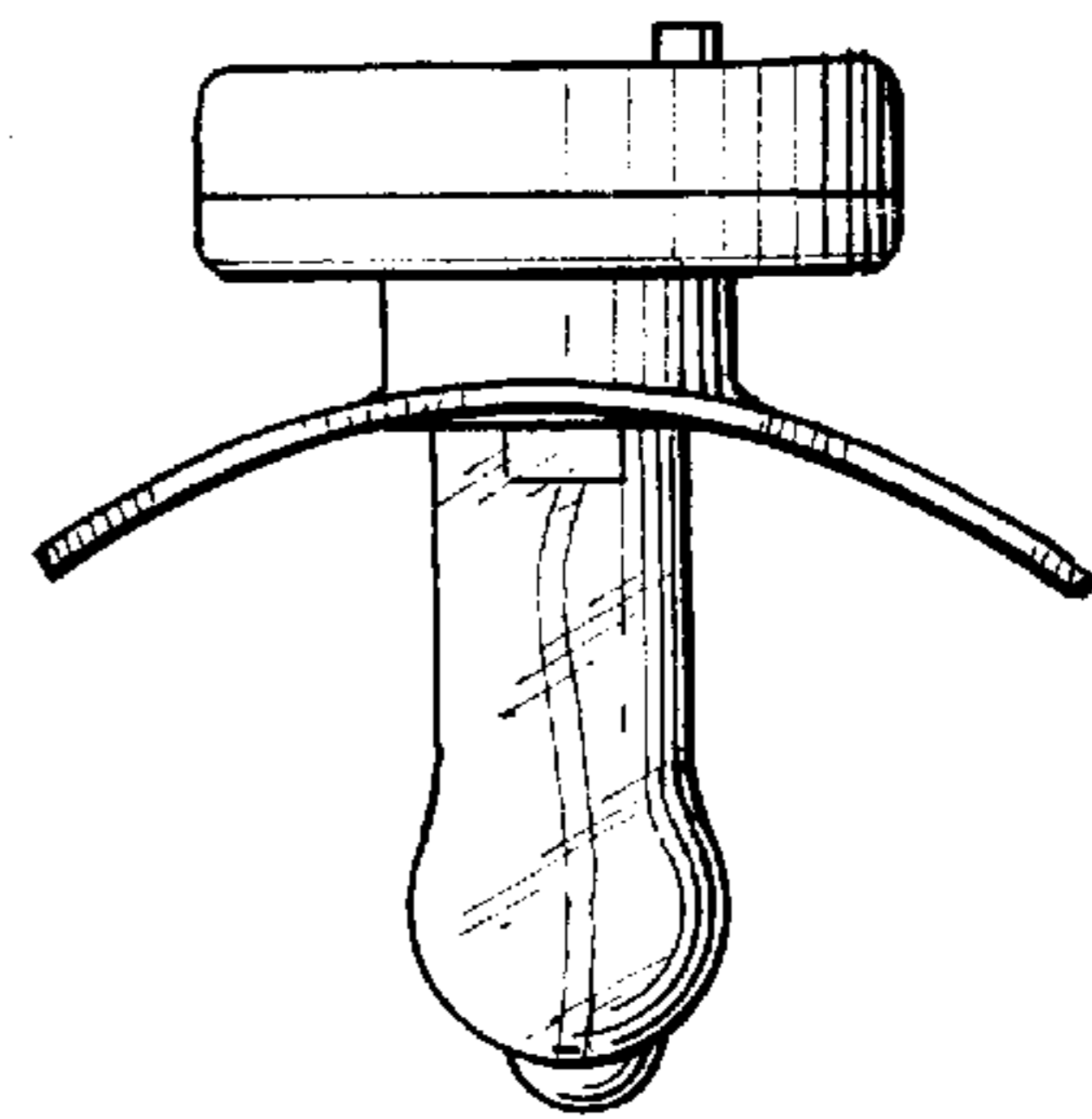


FIG. 9

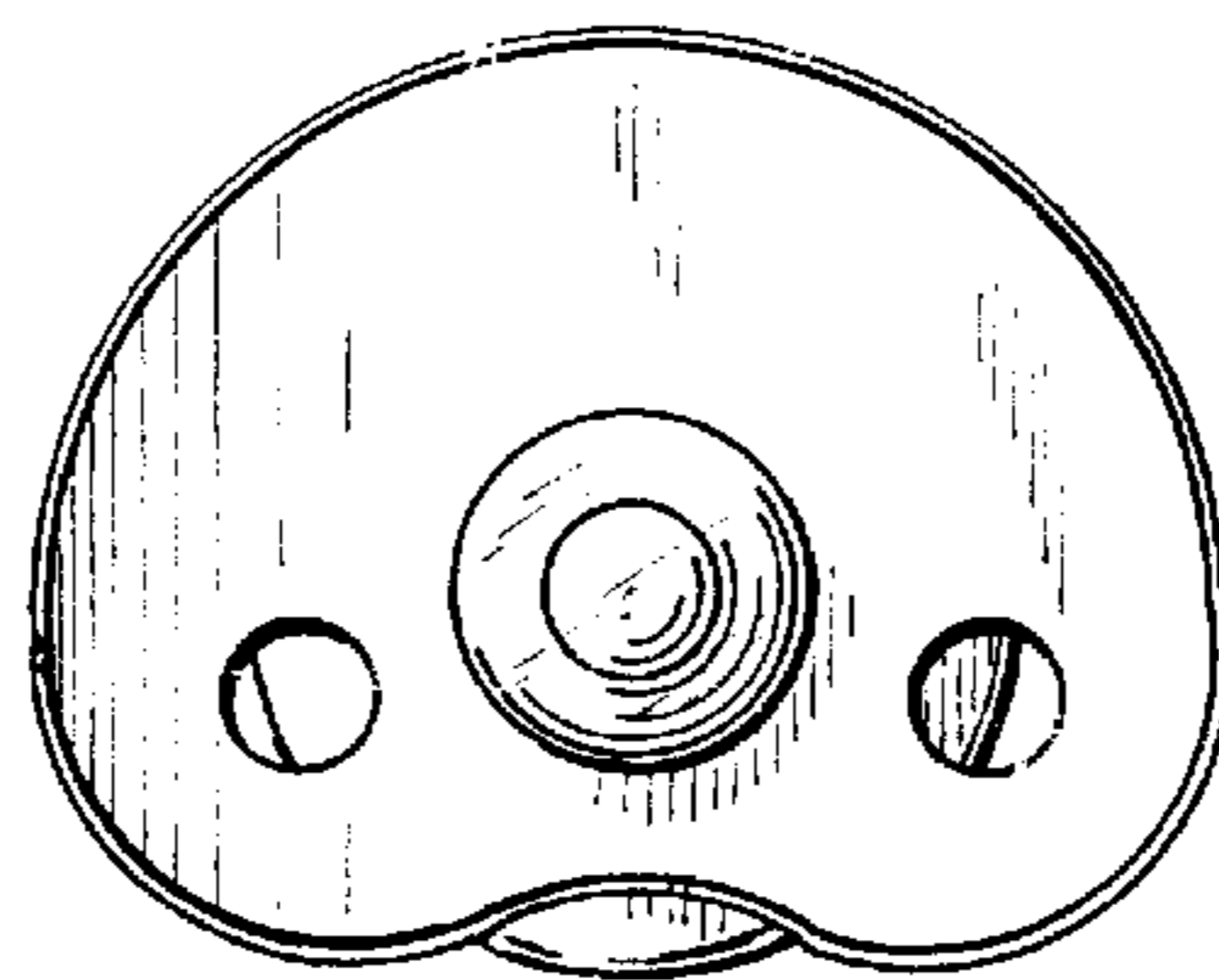


FIG. 10

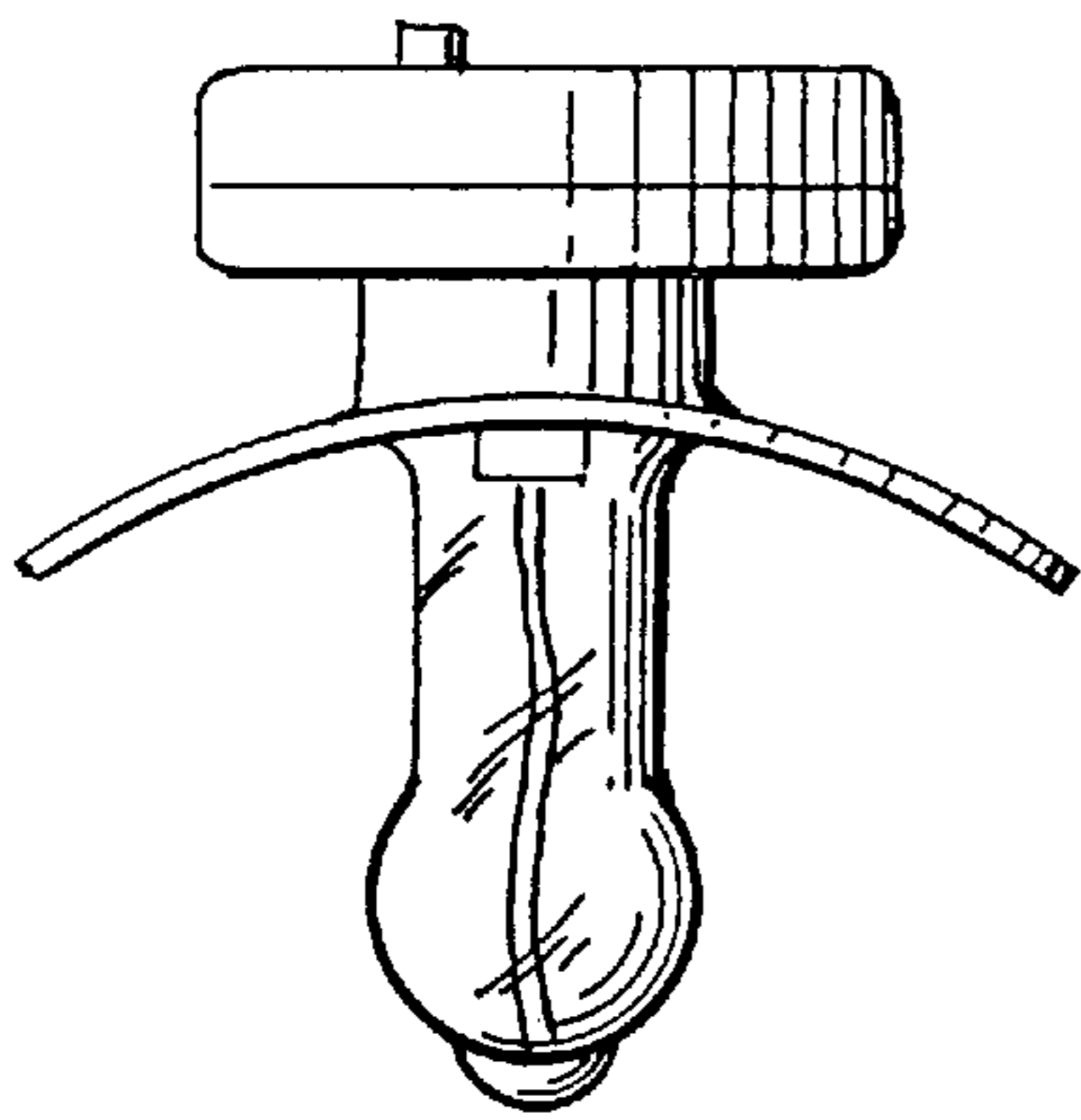


FIG. 11

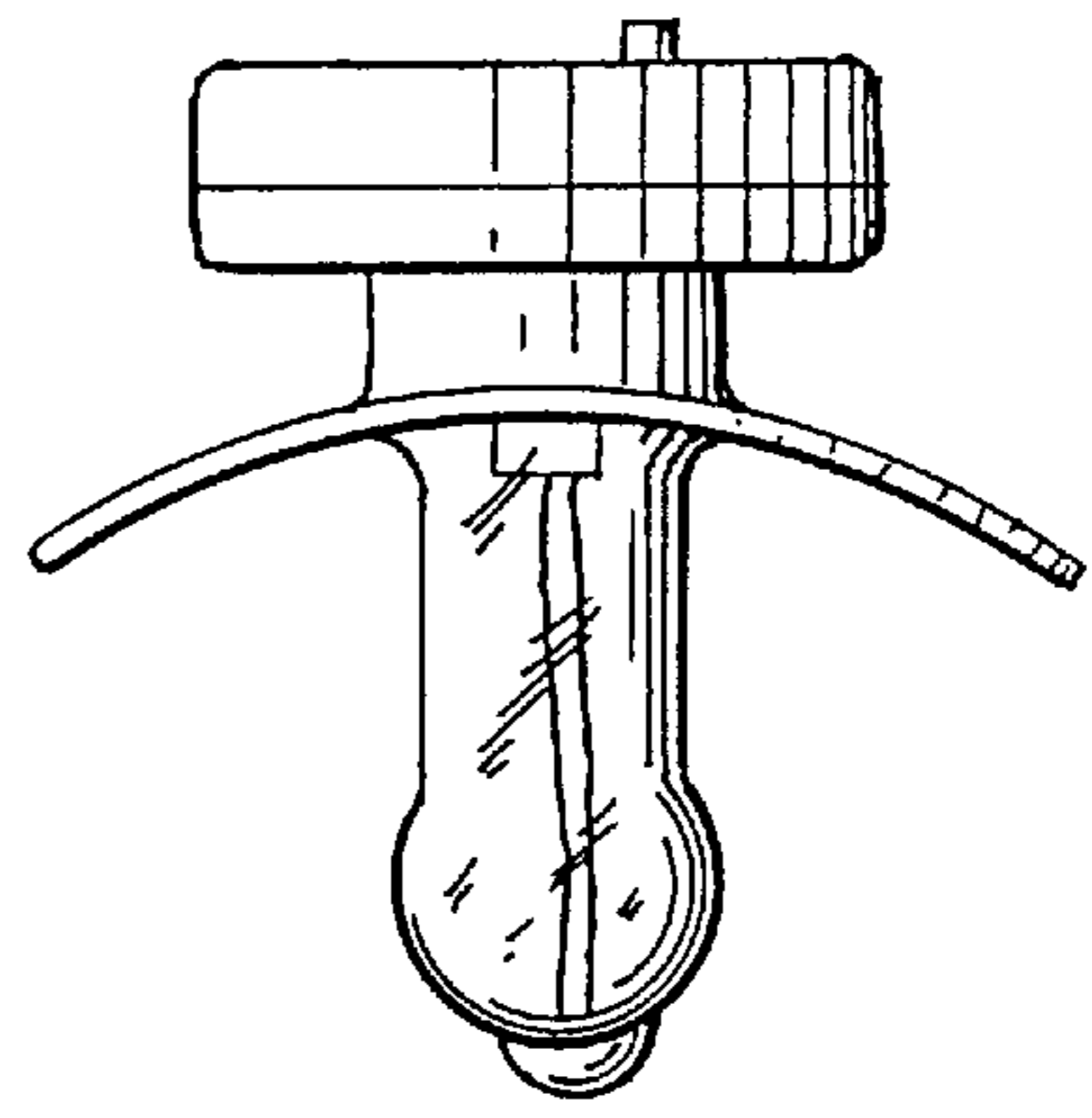


FIG. 12