



US00D403970S

United States Patent [19] Chen

[11] **Patent Number: Des. 403,970**

[45] **Date of Patent: **Jan. 12, 1999**

[54] **WATCH CASE**

4,783,773 11/1988 Houlihan 368/240

[75] Inventor: **Li Chen**, Kowloon Bay, Hong Kong

OTHER PUBLICATIONS

[73] Assignee: **Delta-Tech Electronics Company Limited**, Hong Kong

Jewelers Circular Keystone Mar. 1976—p. 72—watches at center and bottom right.

European Jeweler Jan. 1973, p. 96 watch at bottom.

[**] Term: **14 Years**

Primary Examiner—Nelson C. Holtje

Attorney, Agent, or Firm—Burns, Doane, Swecker & Mathis, L.L.P.

[21] Appl. No.: **77,002**

[22] Filed: **Jul. 31, 1997**

[57] CLAIM

[51] **LOC (6) Cl.** **10-02**

The ornamental design for a “watch case”, as shown and described.

[52] **U.S. Cl.** **D10/30; D10/38**

[58] **Field of Search** D10/1-40, 122-132;
368/280-282, 276-277, 28-30, 285, 239-242,
82-84, 41-44

DESCRIPTION

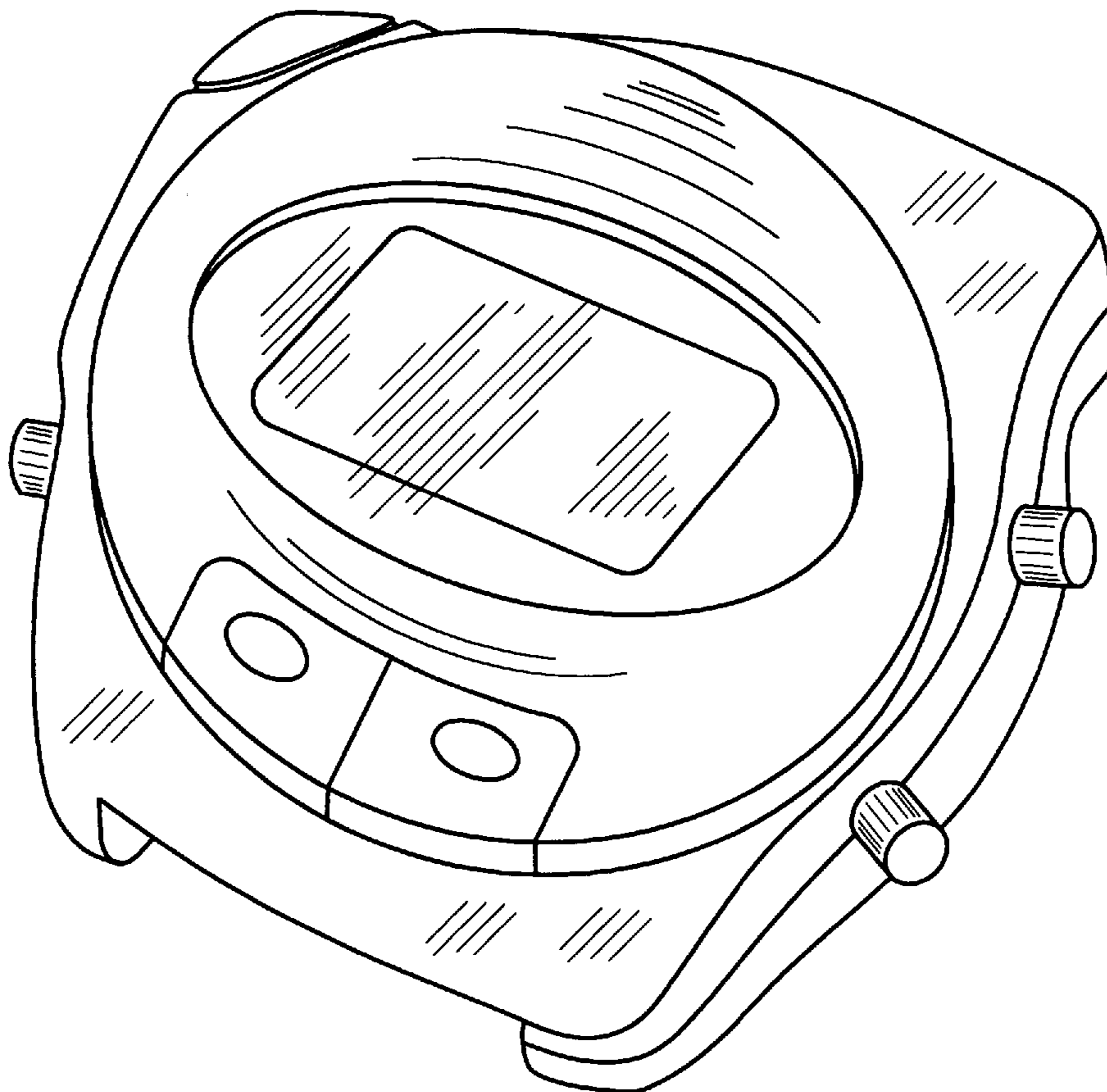
[56] References Cited

U.S. PATENT DOCUMENTS

D. 286,382	10/1986	Matsuo	368/240 X
D. 295,841	5/1988	Kano	D10/39
D. 325,527	4/1992	Schneider	D10/31
D. 360,589	7/1995	Houlihan	D10/30
D. 387,998	12/1997	Ramos	D10/30

FIG. 1 is a front view of a “watch case” showing my design;
FIG. 2 is a rear view thereof;
FIG. 3 is a left side view thereof;
FIG. 4 is a right side view thereof;
FIG. 5 is a top view thereof;
FIG. 6 is a bottom view thereof; and,
FIG. 7 is a perspective view thereof.

1 Claim, 4 Drawing Sheets



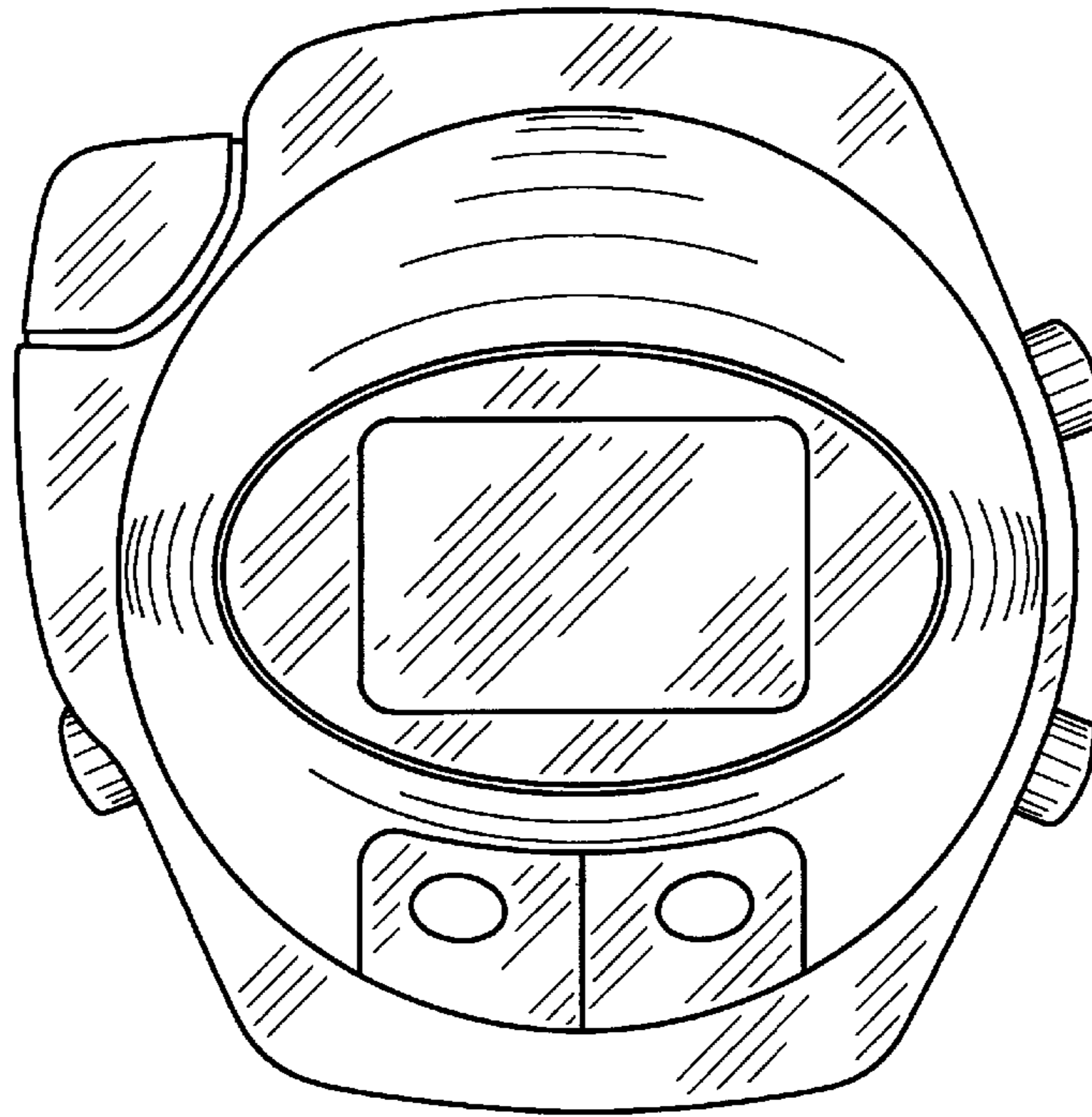


FIG. 1

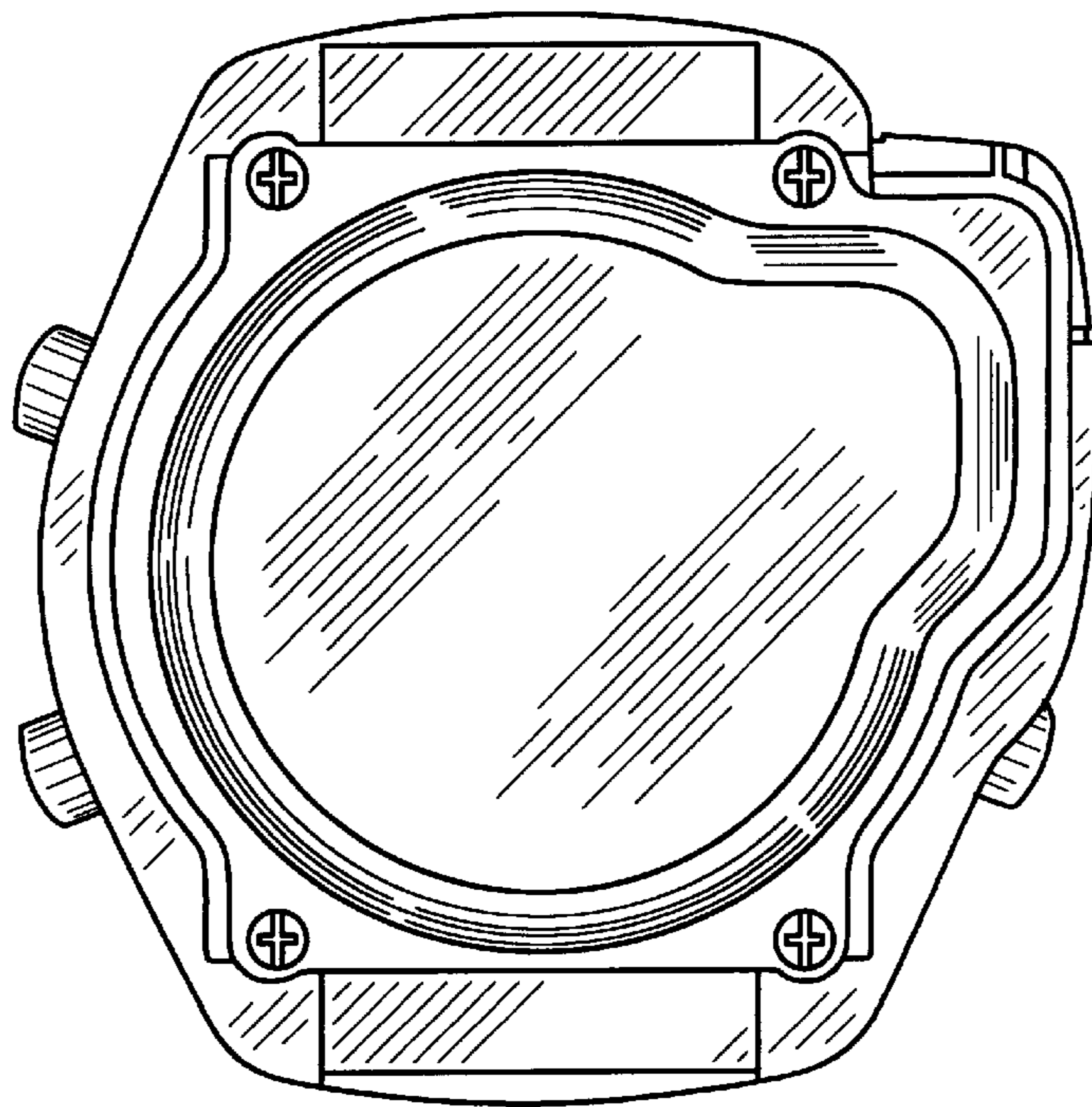


FIG. 2

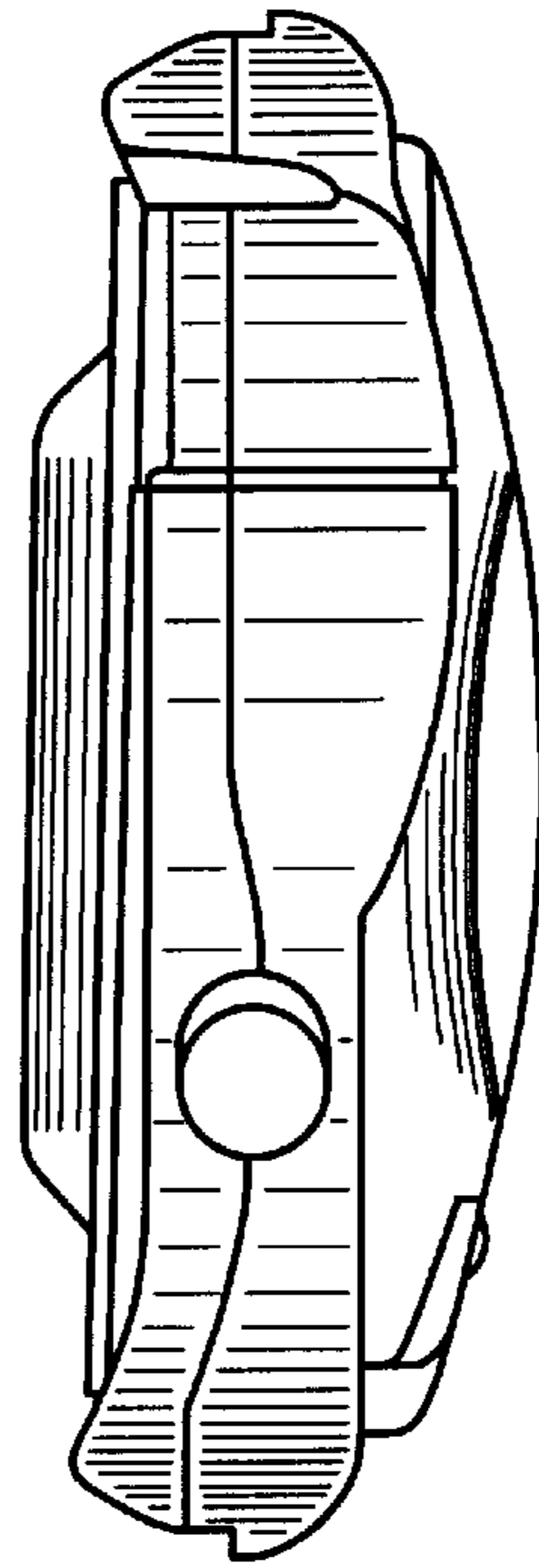


FIG. 3

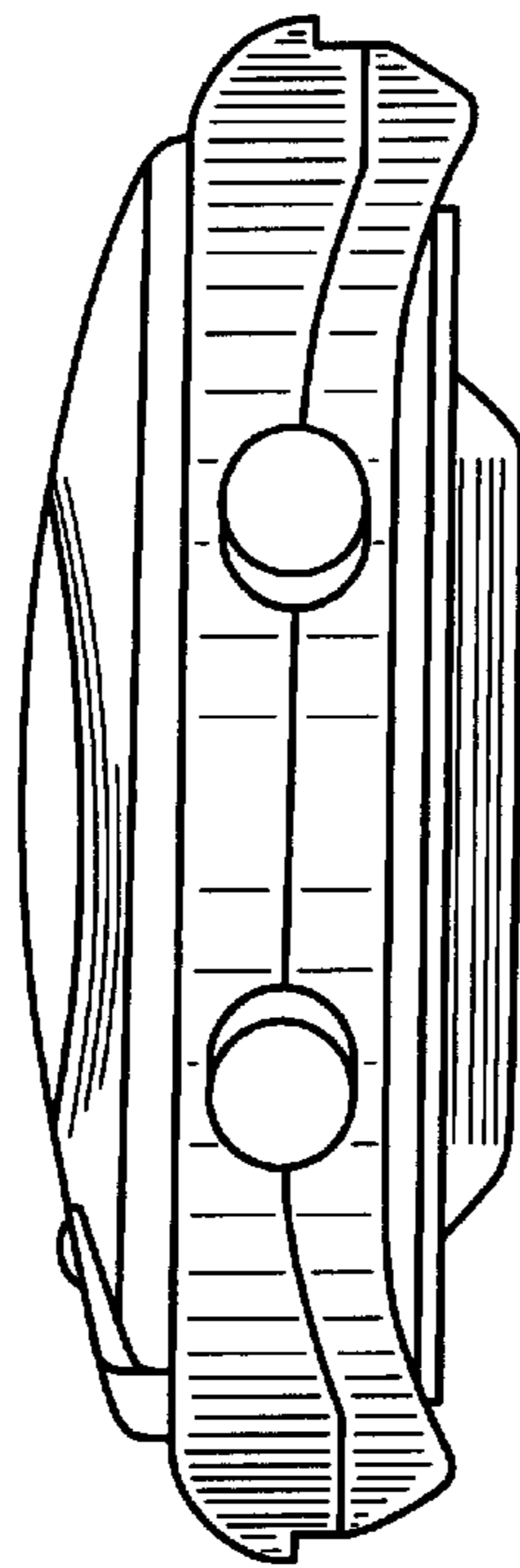


FIG. 4

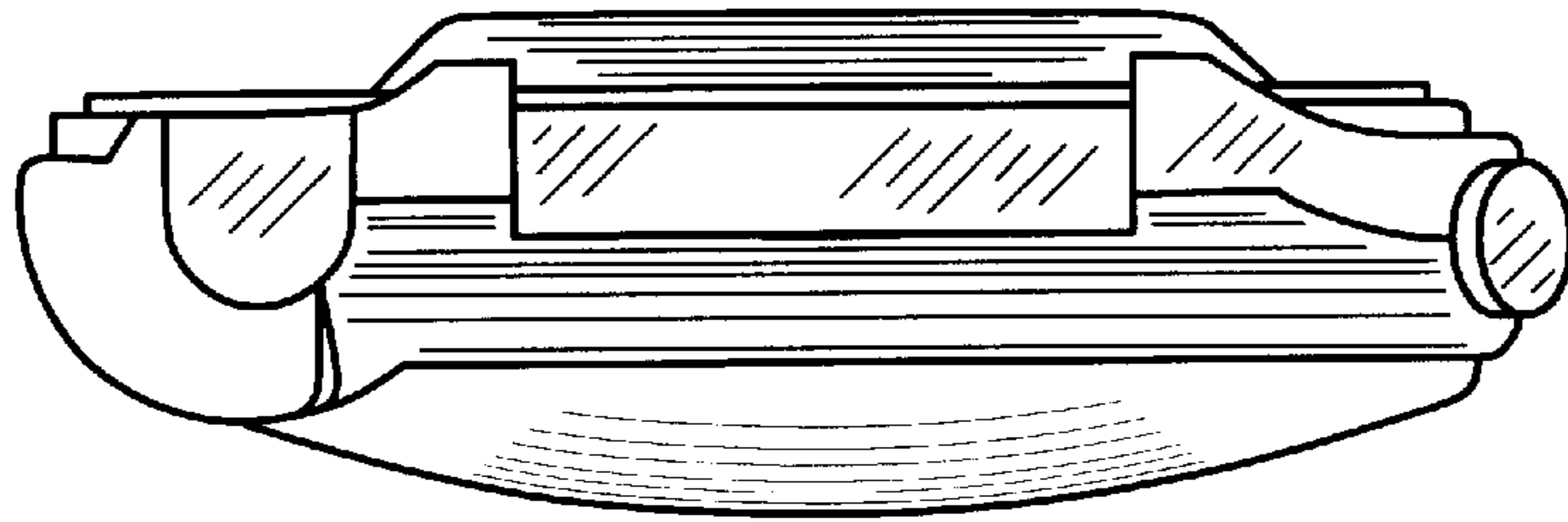


FIG. 5

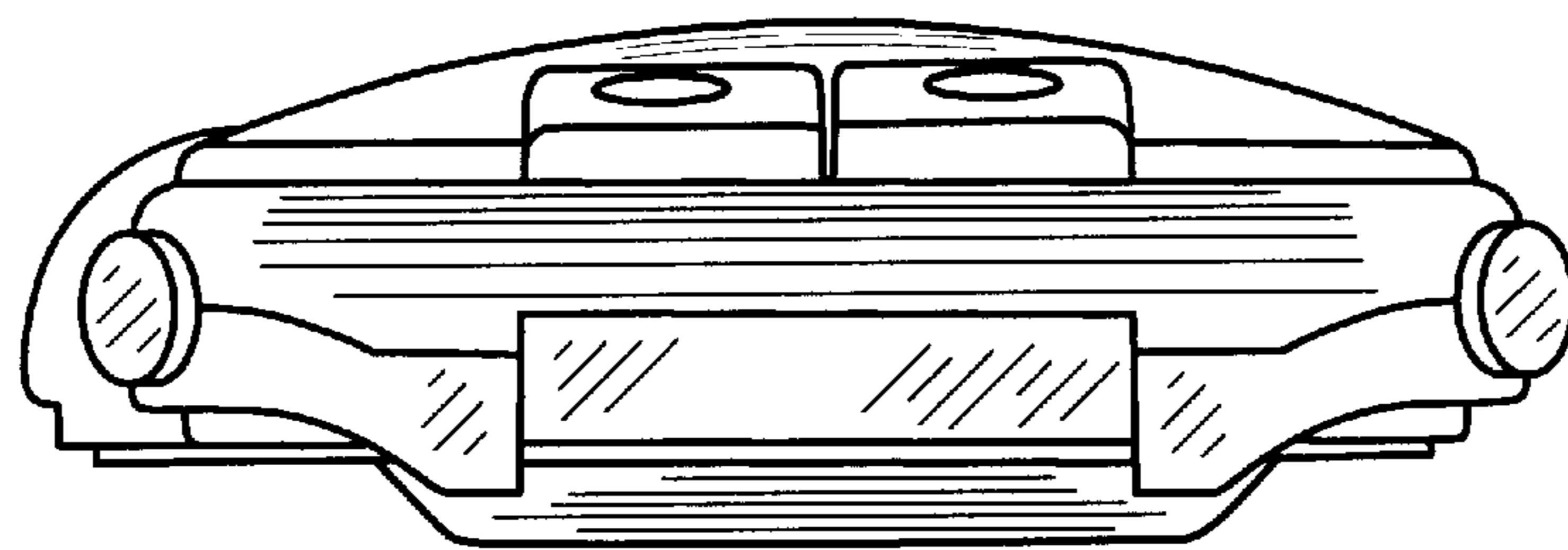


FIG. 6

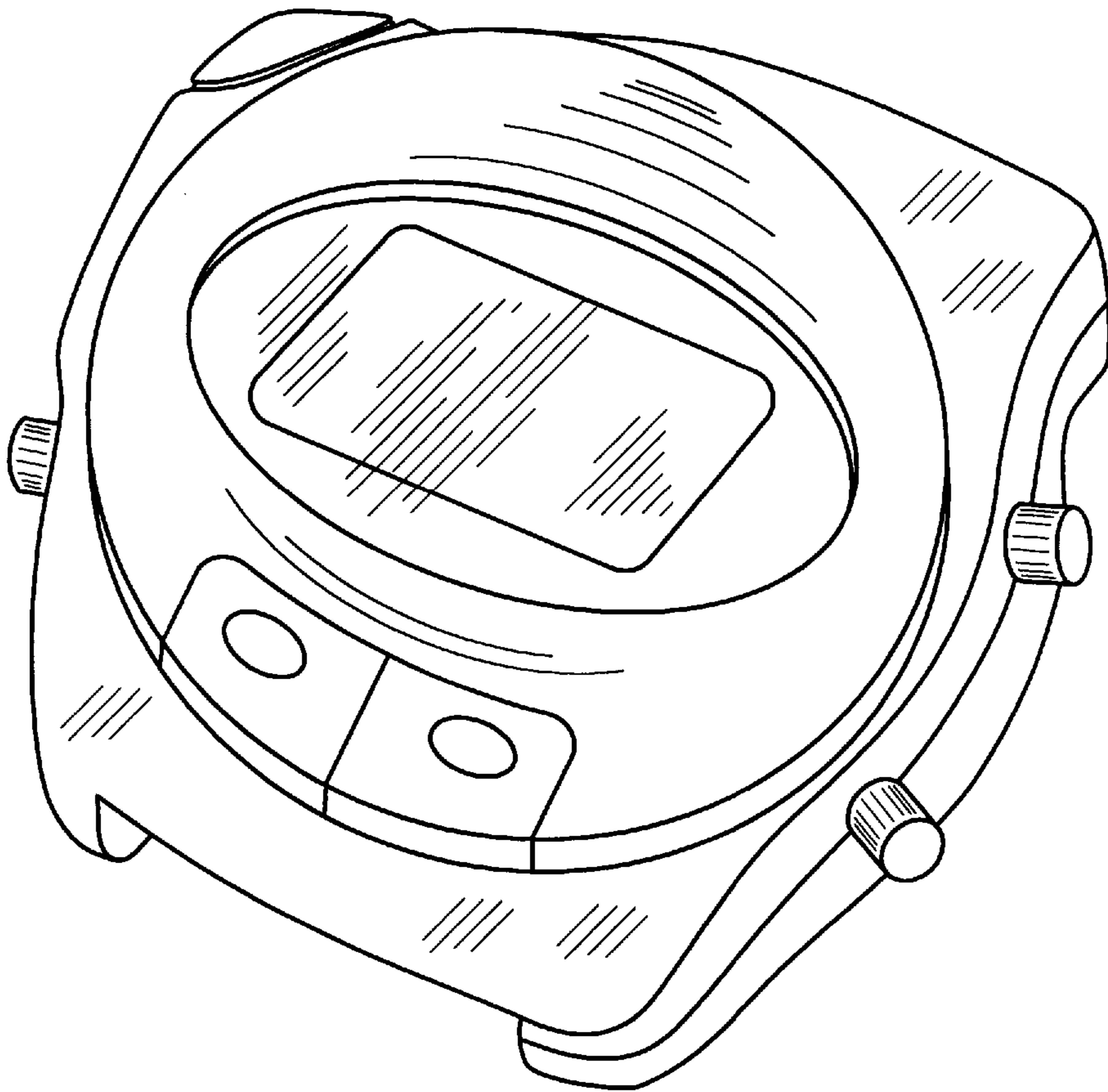


FIG. 7