



US00D403961S

United States Patent [19] Warren

[11] **Patent Number: Des. 403,961**
[45] **Date of Patent: **Jan. 12, 1999**

[54] ROLL SUPPORT

[75] Inventor: **Robb A. Warren**, Appleton, Wis.

[73] Assignee: **Great Northern Corporation**,
Appleton, Wis.

[**] Term: **14 Years**

[21] Appl. No.: **63,237**

[22] Filed: **Dec. 2, 1996**

[51] **LOC (6) Cl.** **09-07**

[52] **U.S. Cl.** **D9/456**

[58] **Field of Search** D9/434, 456, 457,
D9/499; 206/391, 496, 499; 211/59.4, 73,
85.5; 220/500

[56] **References Cited**

U.S. PATENT DOCUMENTS

D. 172,664	7/1954	Emery	D9/456
D. 246,491	11/1977	D'Alo	D9/456 X
D. 301,013	5/1989	Creaden	D9/456
D. 332,571	1/1993	Creaden	D9/456
D. 364,814	12/1995	Laib	D9/456
2,838,173	6/1958	Emery	206/65
2,990,951	7/1961	Fallert	206/65
3,708,084	1/1973	Bixler et al.	217/26.5
4,195,732	4/1980	Bell	206/391
4,385,091	5/1983	Roellchen	428/134
4,435,463	3/1984	Roellchen	428/158
4,832,196	5/1989	Butler	206/391
4,901,870	2/1990	Wright et al.	211/59.4
5,080,314	1/1992	Moyer et al.	248/346
5,161,703	11/1992	Patton	211/59.4

OTHER PUBLICATIONS

Keyes-Fiber Company, Blueprints, 1979.
Henry Molded Products, Blueprint 12" Stakker, Apr. 6, 1990.

Primary Examiner—James Gandy
Assistant Examiner—Cathron B. Matta
Attorney, Agent, or Firm—Andrus, Scales, Starke & Sawall

[57] **CLAIM**

The ornamental design for a roll support, as shown and described.

DESCRIPTION

FIG. 1 is an isometric view of a roll support in accordance with the present invention;

FIG. 2 is a top plan view showing a portion of the roll support of FIG. 1, the bottom plan view being a mirror image thereof;

FIG. 3 is a side elevational view showing a portion of the roll support of FIG. 1;

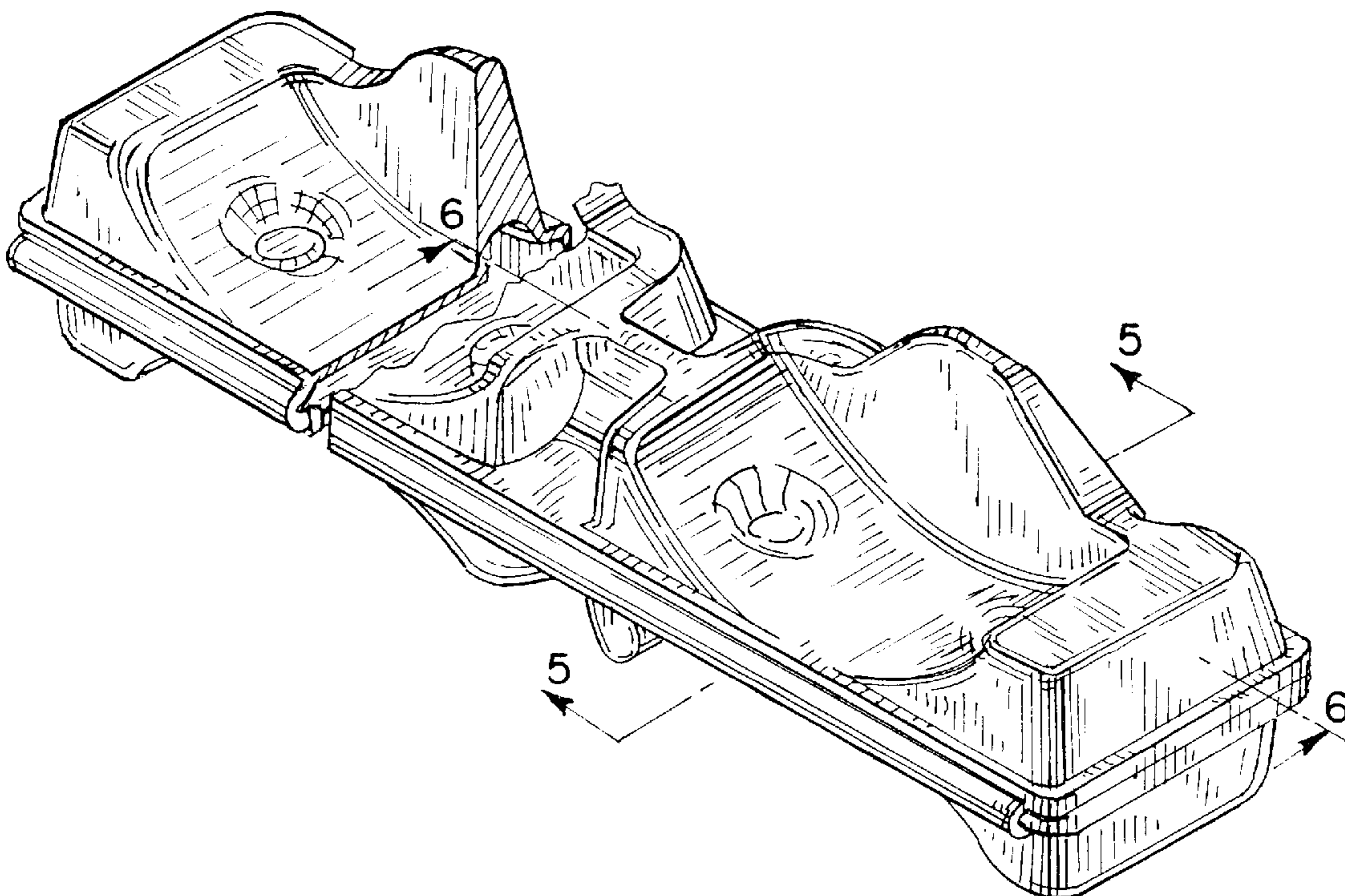
FIG. 4 is a right end view showing the roll support of FIG. 1, the left end view being a mirror image thereof;

FIG. 5 is a cross-sectional view of the roll support of FIG. 1 taken along line 5—5; and,

FIG. 6 is a cross-sectional view of the roll support of FIG. 1 taken along line 6—6.

The roll support of FIG. 1 is shown with a portion cut away across its mid-section to indicate that it is of undetermined length, it being understood that the design repeats uniformly throughout its length.

1 Claim, 2 Drawing Sheets



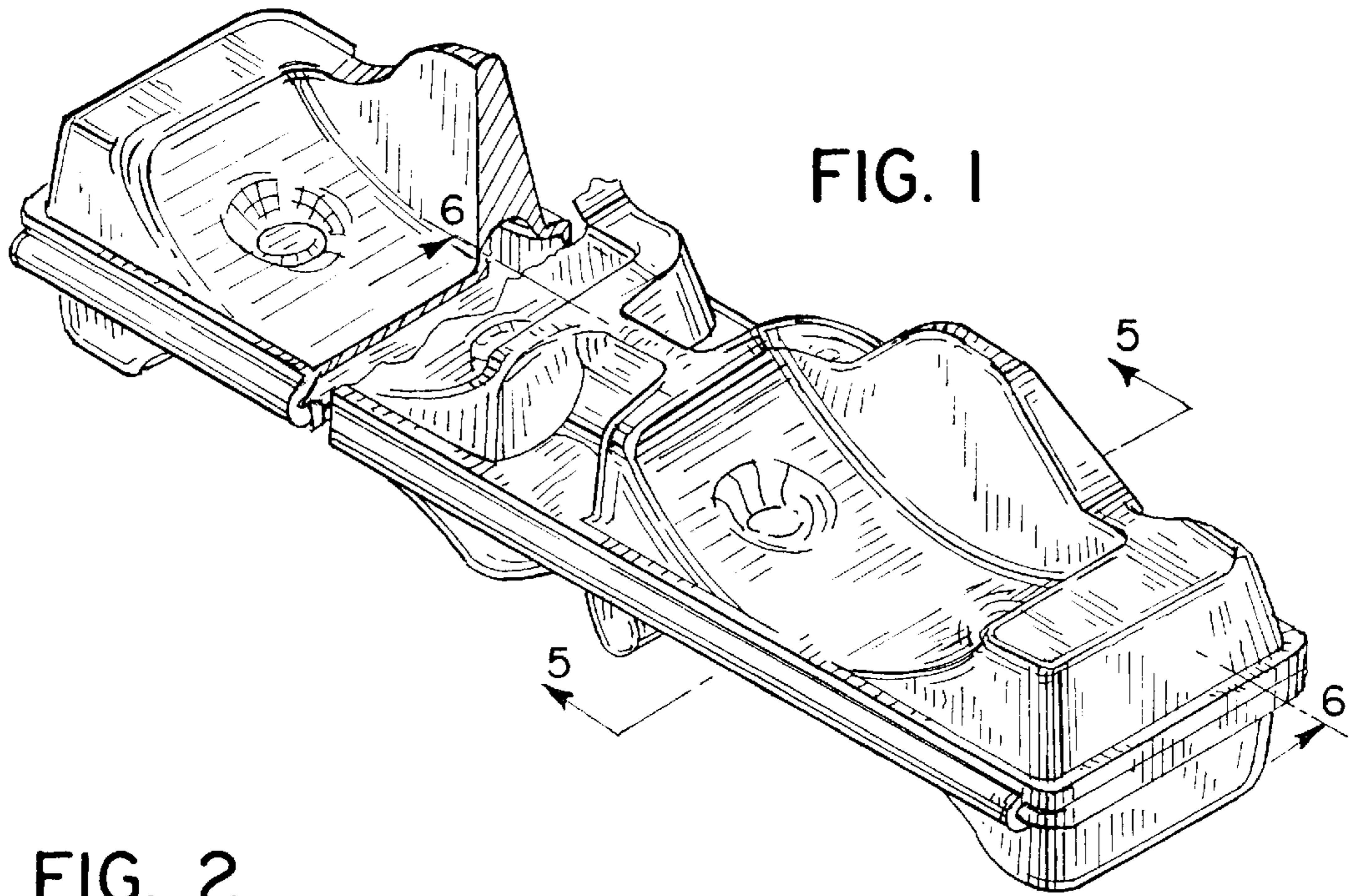


FIG. 2

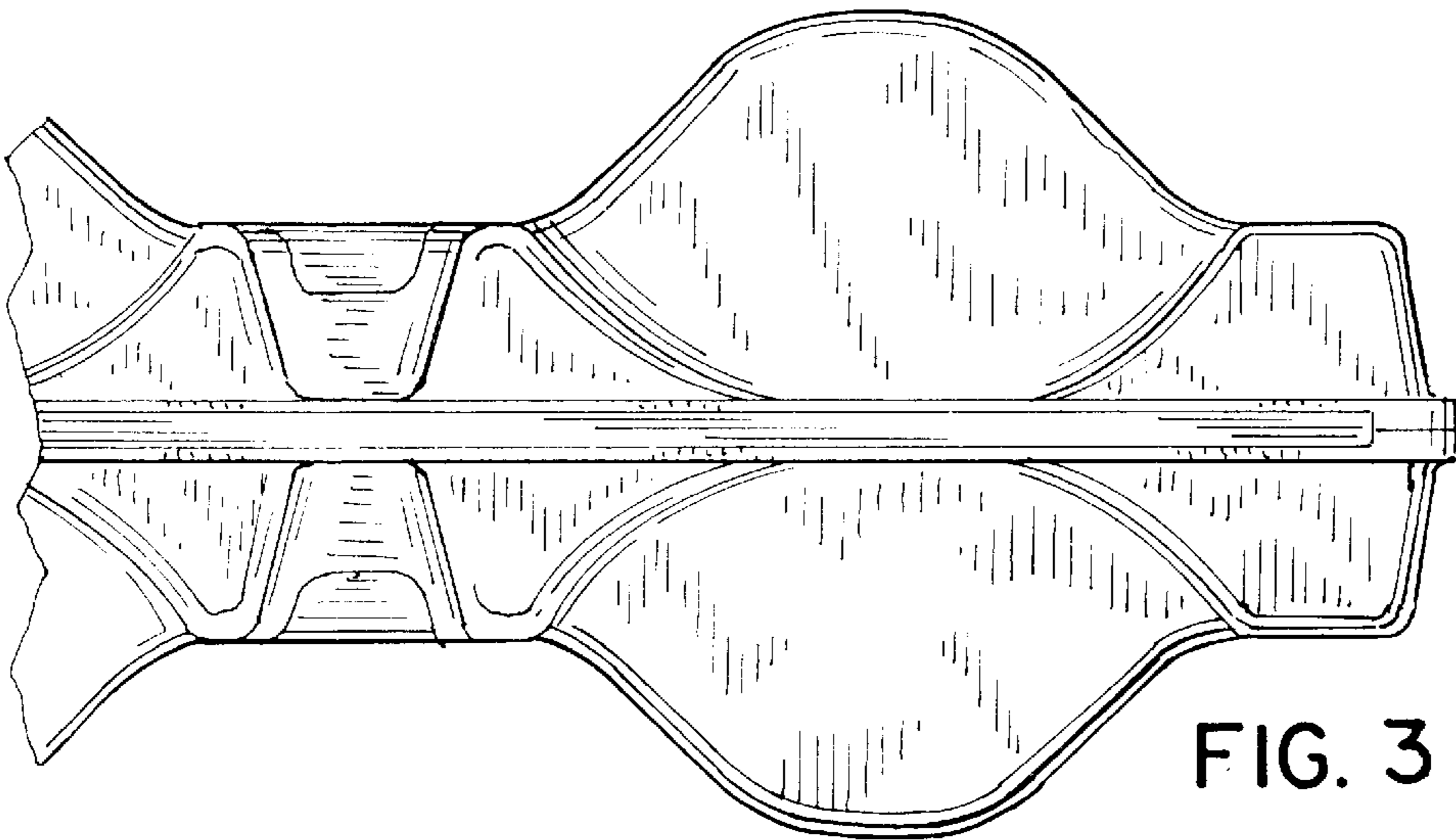
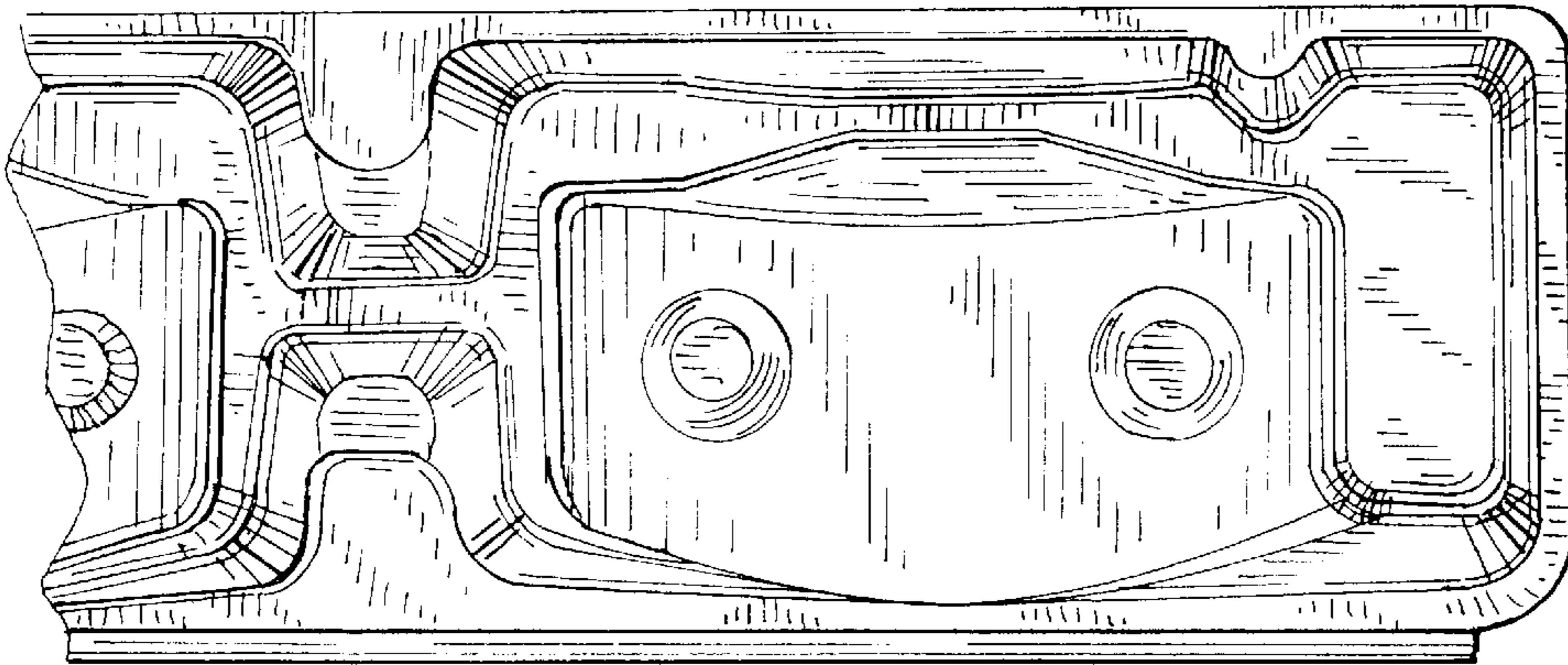


FIG. 3

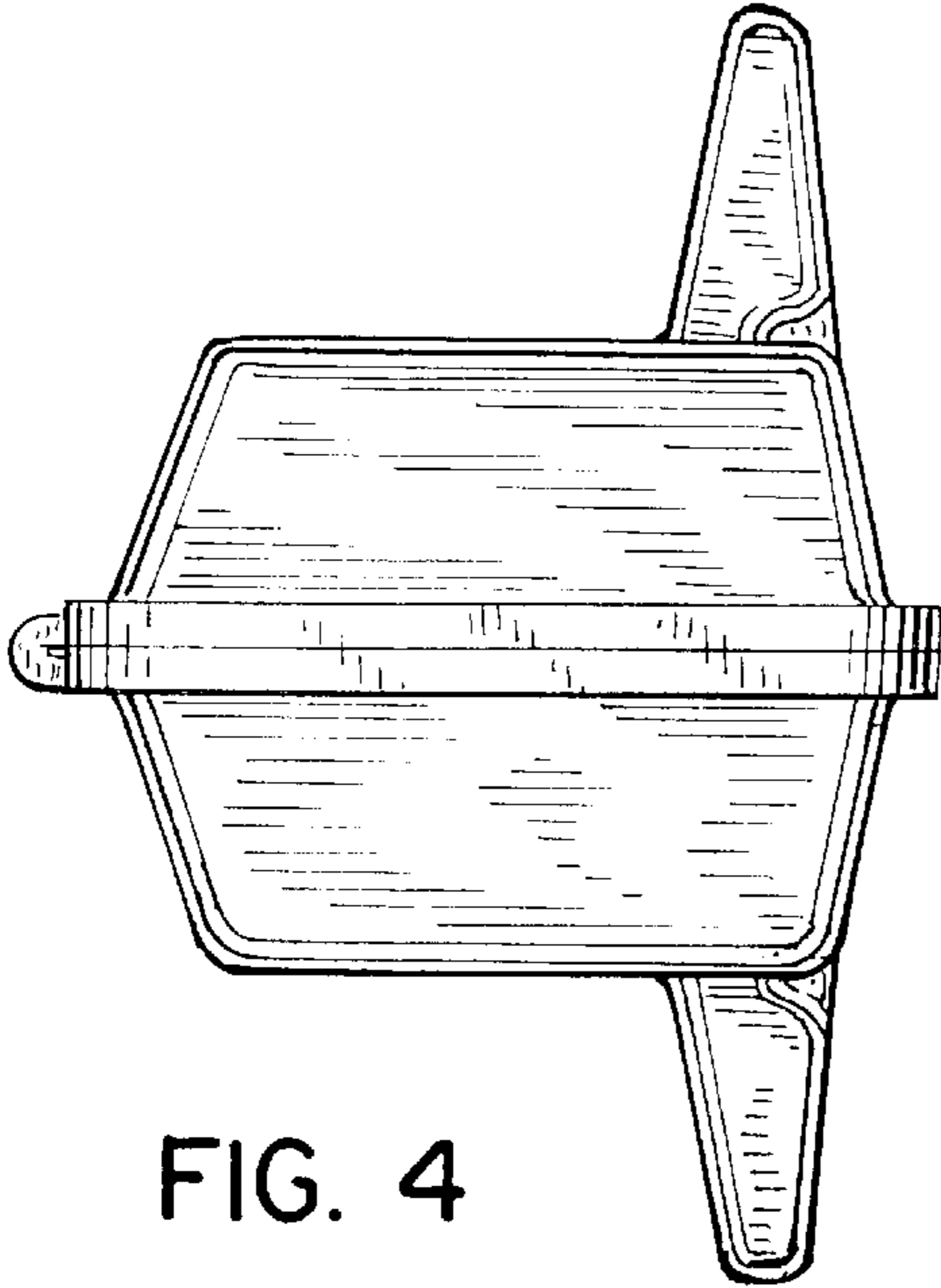


FIG. 4

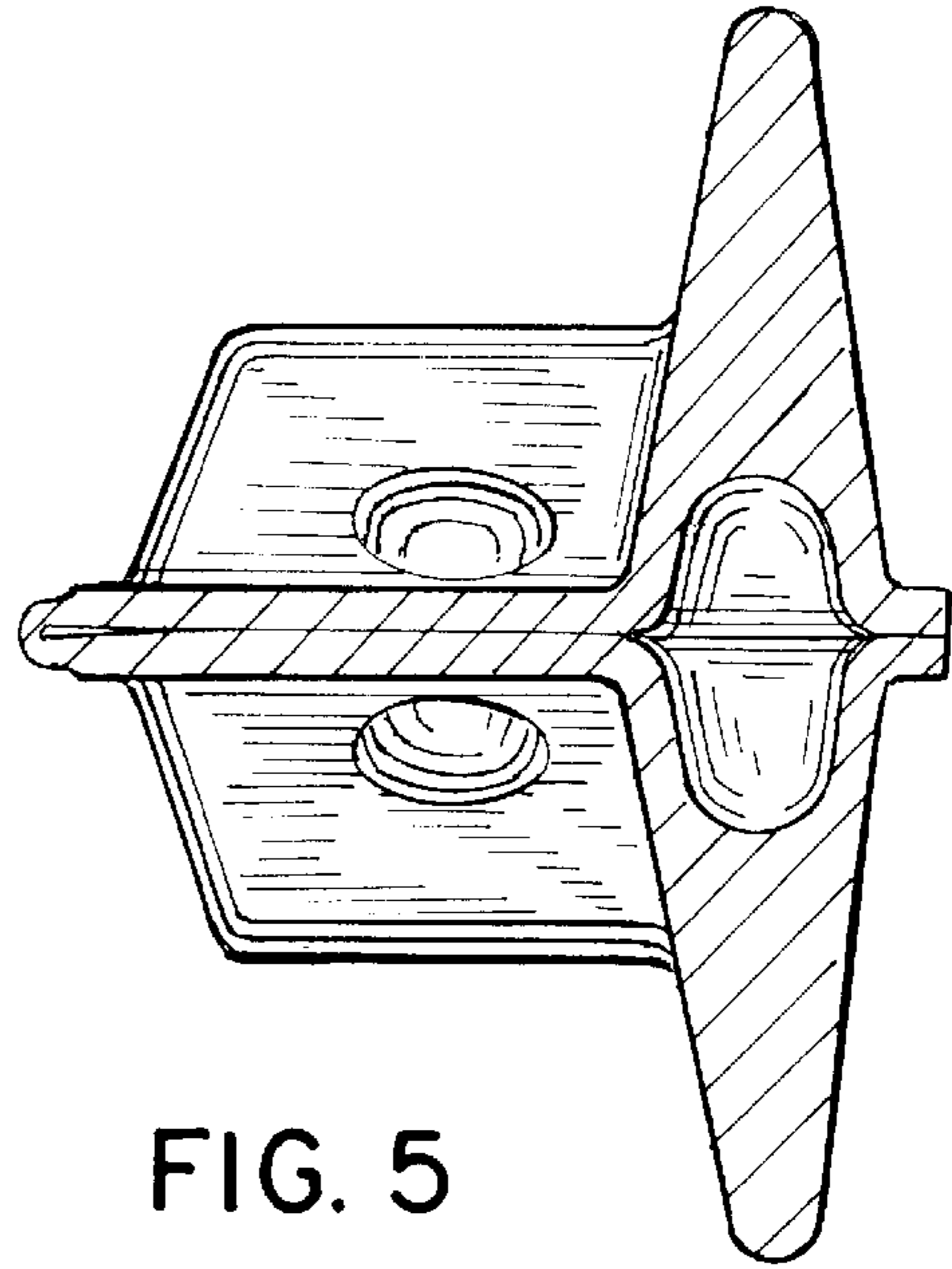


FIG. 5

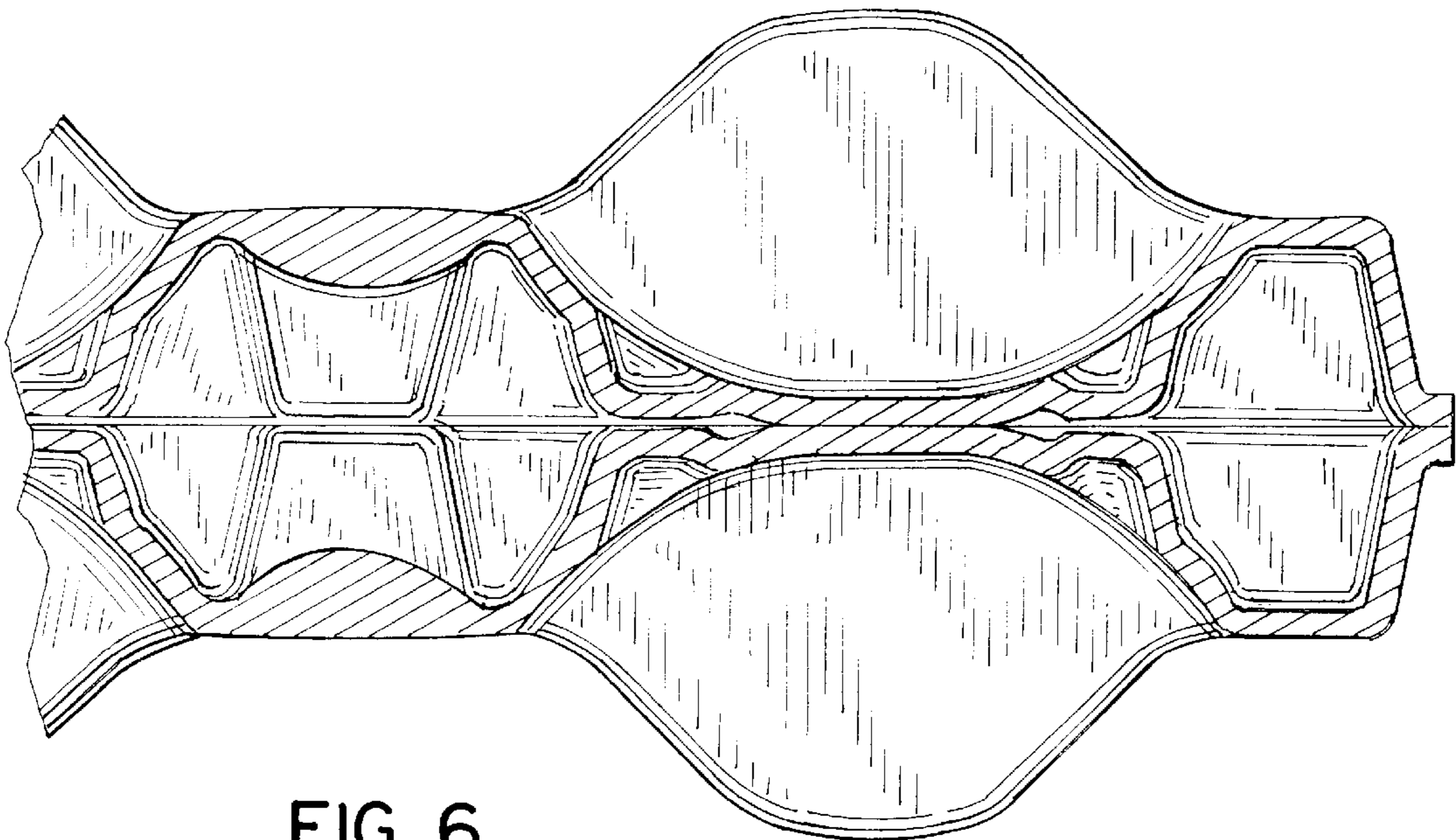


FIG. 6