



US00D403958S

United States Patent [19]
Stepek

[11] **Patent Number: Des. 403,958**

[45] **Date of Patent: **Jan. 12, 1999**

[54] **BOTTLE CARRIER DEVICE**

[76] Inventor: **Christopher J. Stepek**, 9722 S. Karlov,
#307, Oak Lawn, Ill. 60453

[**] Term: **14 Years**

[21] Appl. No.: **78,874**

[22] Filed: **Oct. 31, 1997**

[51] **LOC (6) Cl. 09-07**

[52] **U.S. Cl. D9/434**

[58] **Field of Search** D9/434, 455; D7/622;
206/428; 215/395, 399; 220/752, 756; 224/148.4,
148.5, 148.6, 675; 294/149, 152; 383/30

4,678,221	7/1987	Josenhans .	
4,736,920	4/1988	Omessi	215/399 X
4,798,286	1/1989	Muscanelli .	
5,234,245	8/1993	Peterson et al.	294/149 X
5,441,320	8/1995	Strong .	
5,480,204	1/1996	Erickson .	
5,573,152	11/1996	Arnold	224/148.4
5,613,657	3/1997	Olaiz .	

Primary Examiner—James Gandy
Assistant Examiner—Cathron B. Matta
Attorney, Agent, or Firm—Rockey, Milnamow & Katz, Ltd.

[57] **CLAIM**

The ornamental design for a bottle carrier, as shown and described.

DESCRIPTION

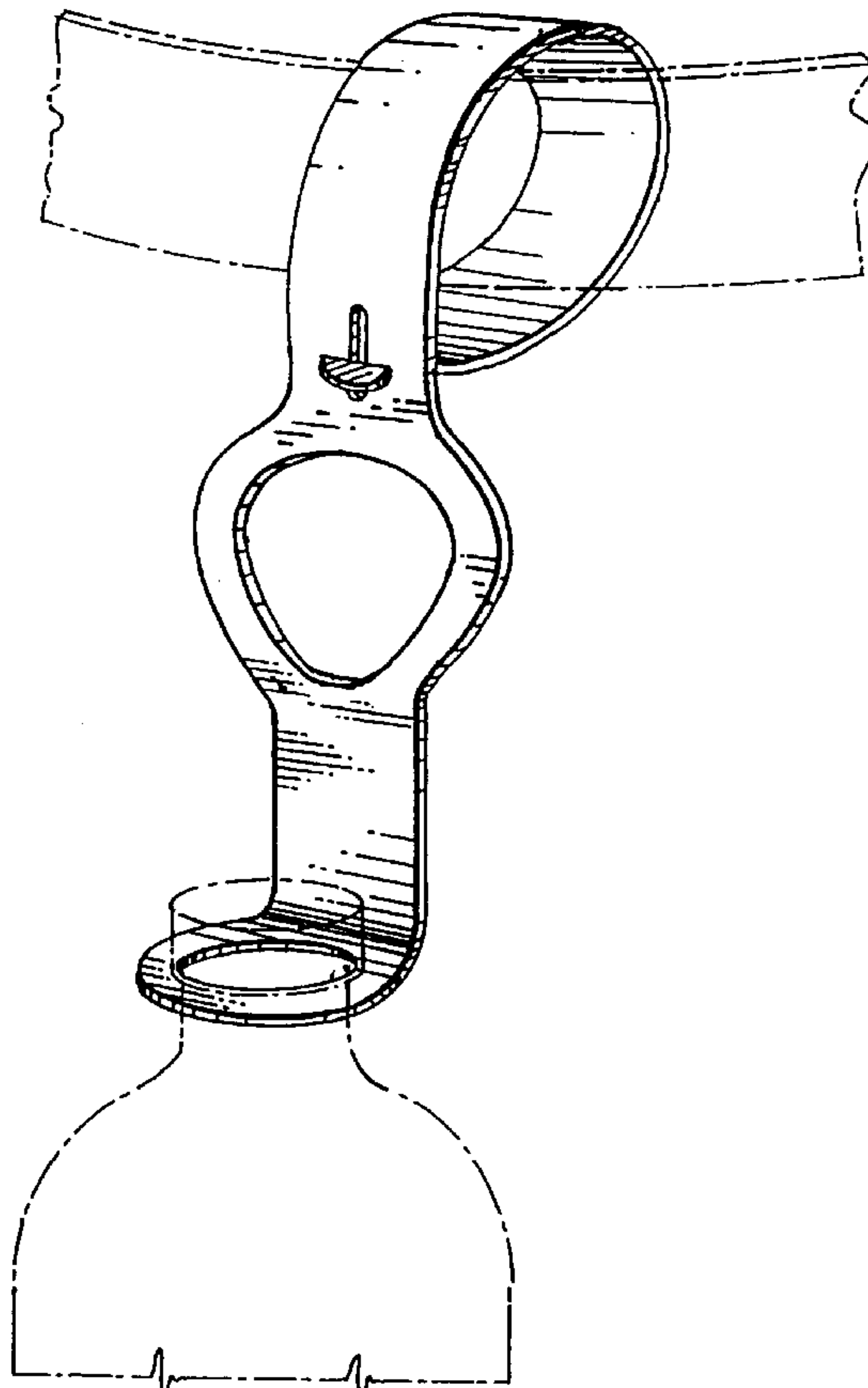
FIG. 1 is a perspective view of a bottle carrier;
FIG. 2 is a front elevational view thereof;
FIG. 3 is a right side elevational view thereof, the left side view being a mirror image;
FIG. 4 is a top plan view thereof;
FIG. 5 is a bottom plan view thereof; and,
FIG. 6 is another perspective view thereof, shown in an in-use position.
The broken lines shown in FIG. 6 are for illustrative purposes only and forms no part of the claimed design.

[56] **References Cited**

U.S. PATENT DOCUMENTS

D. 257,426	10/1980	D'Alo	D9/434 X
D. 348,002	6/1994	Jones	D9/455
D. 370,386	6/1996	Pallesen .	
D. 375,459	11/1996	Tipp .	
D. 377,313	1/1997	Tipp .	
D. 382,970	8/1997	Agopian .	
1,079,527	11/1913	Wallace	383/30 X
1,486,967	3/1924	Kaufman	D7/622 X
2,781,959	2/1957	Loveland	224/148.6 X
3,709,544	1/1973	Oltmanns .	
3,860,281	1/1975	Wood .	

1 Claim, 2 Drawing Sheets



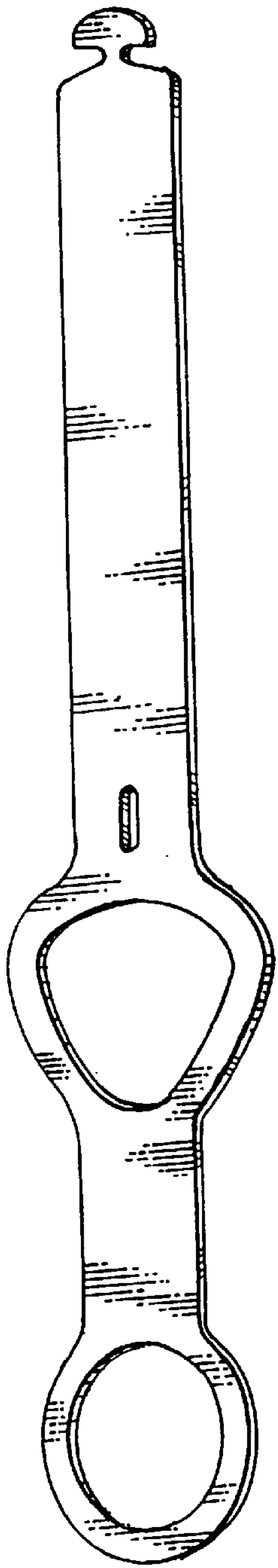


FIG. 1

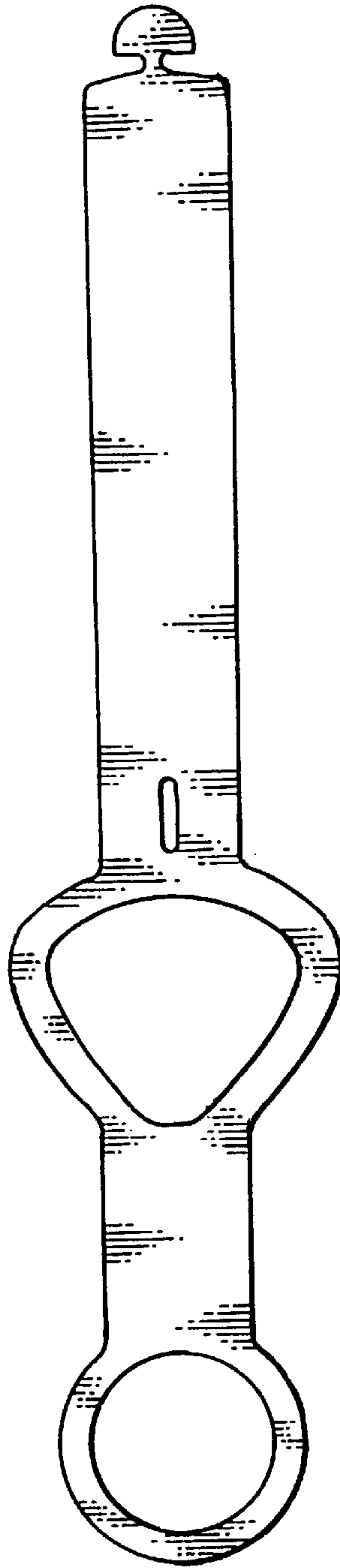


FIG. 2

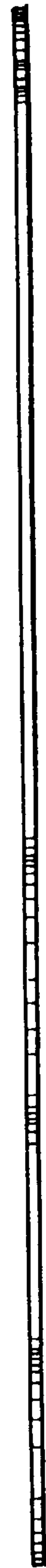


FIG. 3



FIG. 4

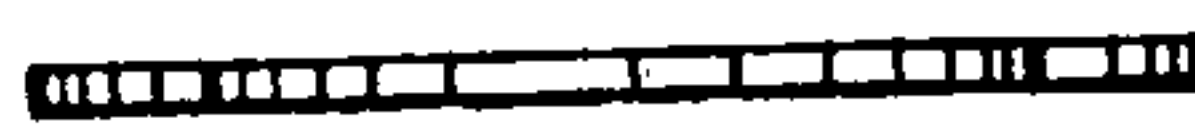


FIG. 5

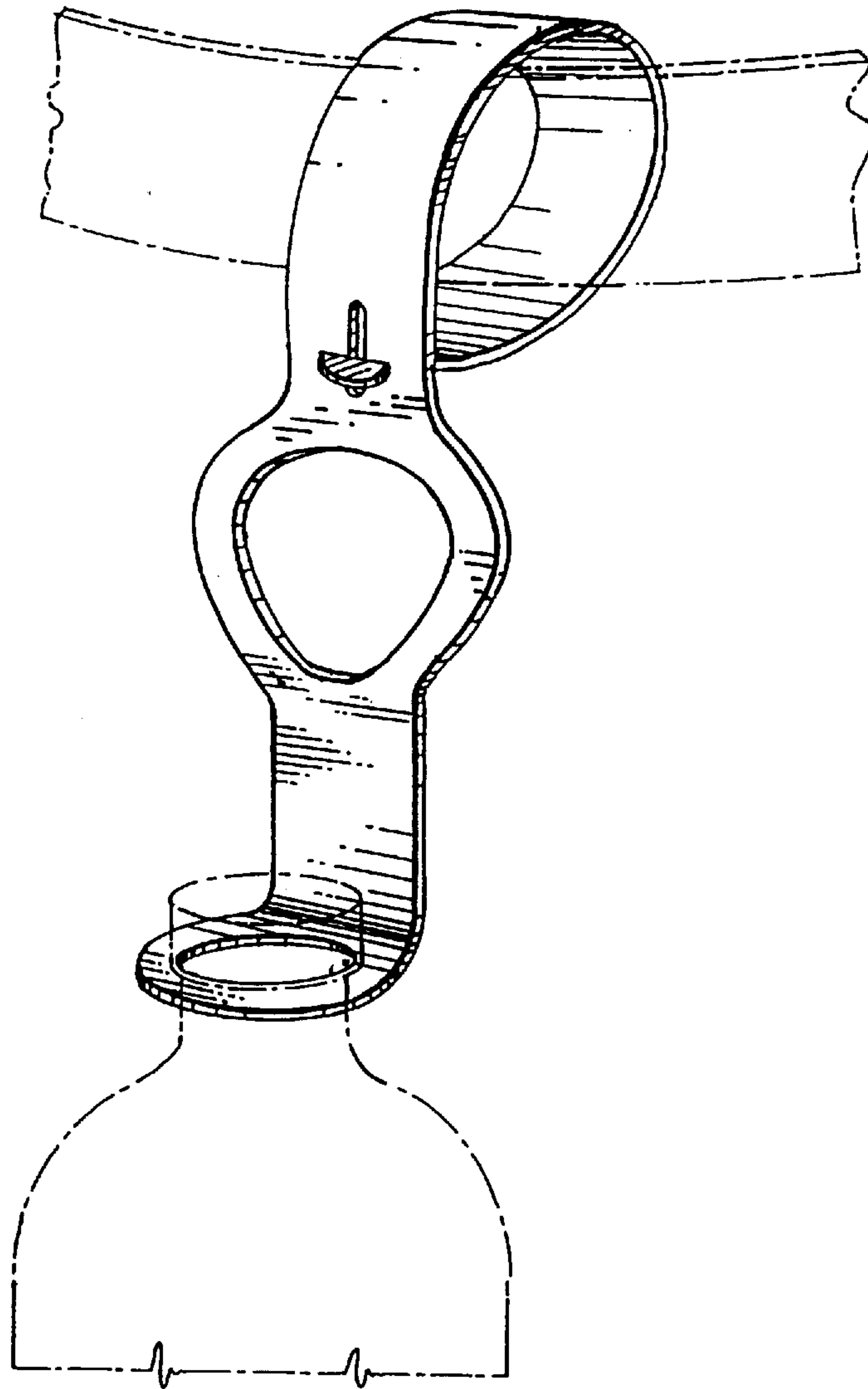


FIG. 6