



US00D403954S

United States Patent [19]

Okada et al.

[11] **Patent Number: Des. 403,954**

[45] **Date of Patent: **Jan. 12, 1999**

[54] **DISPENSER FOR REPLACEMENT CUTTER BLADES**

[75] Inventors: **Hideo Okada**, Yoshikawa; **Hiroshi Ebihara**, Tokorozawa, both of Japan

[73] Assignee: **Tajima Tool Corp.**, Japan

[**] Term: **14 Years**

[21] Appl. No.: **71,413**

[22] Filed: **May 29, 1997**

[51] **LOC (6) Cl.** **09-99**

[52] **U.S. Cl.** **D9/339**

[58] **Field of Search** D9/339, 340, 342; D28/46, 47; 206/356, 359, 228; 221/232, 279; 222/354, 355

[56] **References Cited**

U.S. PATENT DOCUMENTS

D. 156,909	1/1950	Nelson	D9/340
D. 187,562	3/1960	Zierhut	D9/340
D. 240,116	6/1976	Poisson	D9/340
2,792,933	5/1957	Butlin	206/359
3,059,761	10/1962	Kuhnl	206/359

3,910,455 10/1975 Ferraro 221/232 X

Primary Examiner—Ted Shooman
Assistant Examiner—Nanda Bondade
Attorney, Agent, or Firm—Parkhurst & Wendel, L.L.P.

[57] **CLAIM**

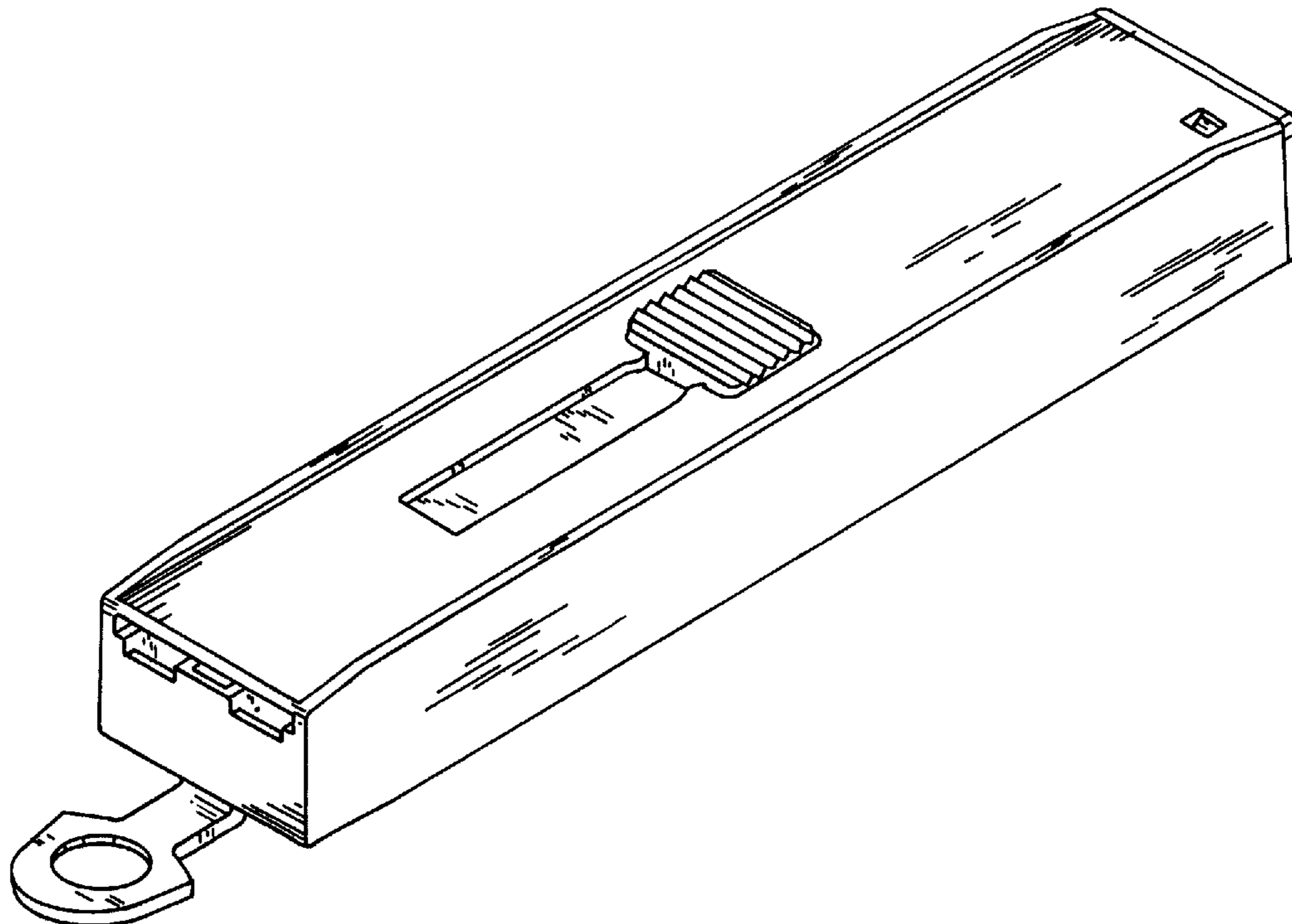
The ornamental design for a dispenser for replacement cutter blades, as shown and described.

DESCRIPTION

FIG. 1 is a top view of a dispenser for replacement cutter blades showing our new design; FIG. 2 is a bottom view thereof; FIG. 3 is a right side view thereof; FIG. 4 is a left side view thereof; FIG. 5 is a front end view thereof; FIG. 6 is a rear end view thereof; FIG. 7 is a perspective view thereof with the blade holding mechanism extended; and, FIG. 8 is a perspective view thereof with the blade holding mechanism retracted.

The undisclosed views of the blade holding mechanism of the dispenser for replacement cutter blades forms no part of the claimed design.

1 Claim, 2 Drawing Sheets



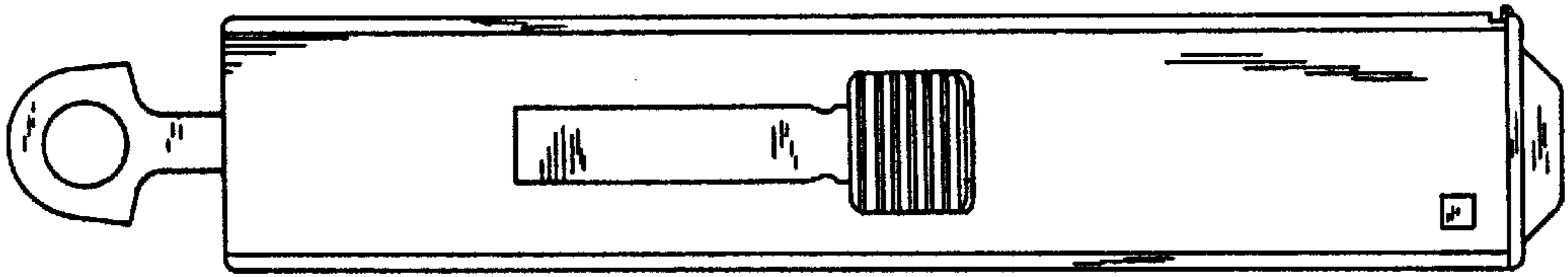


Fig. 1

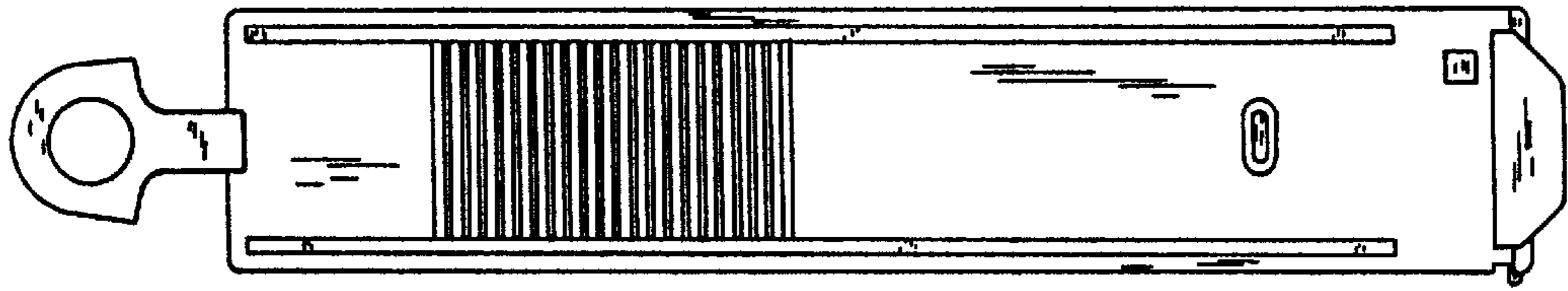


Fig. 2

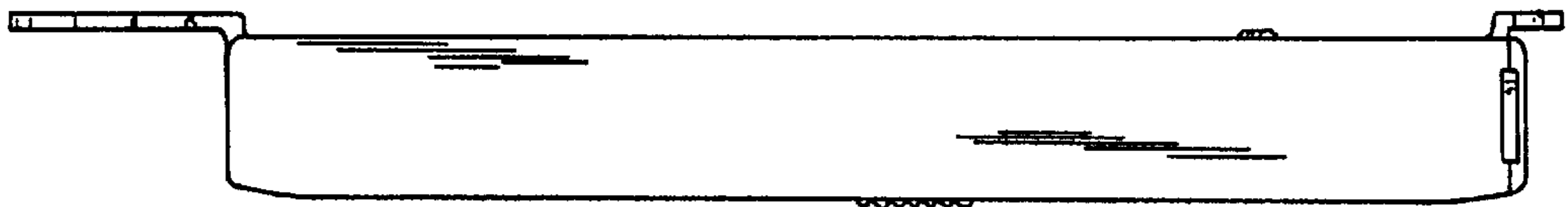


Fig. 3

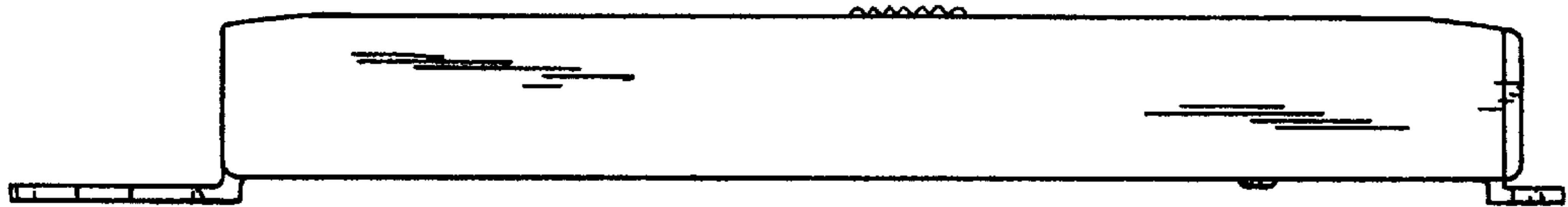


Fig. 4

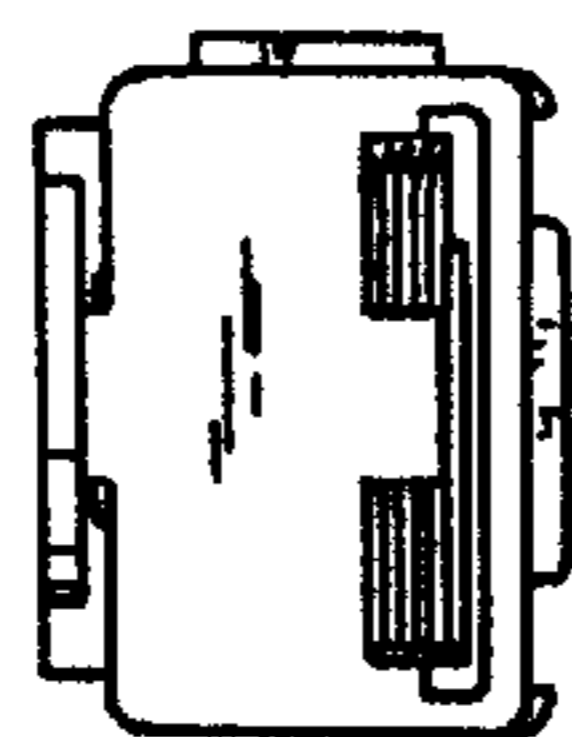


Fig. 5

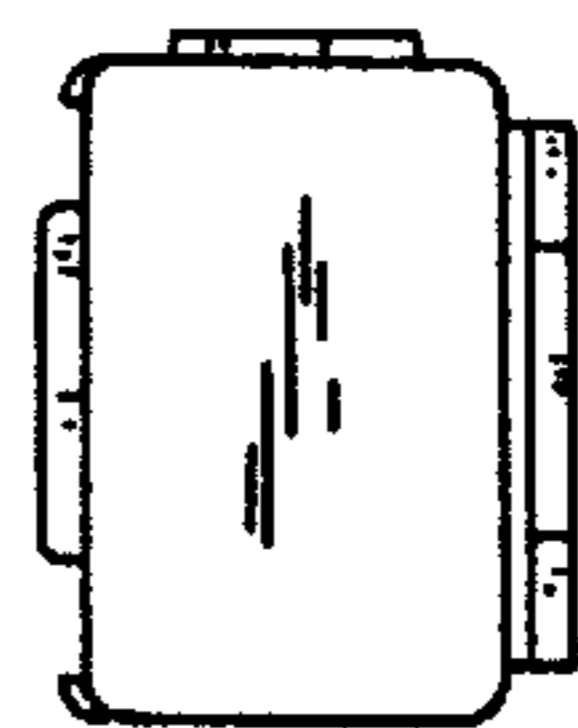


Fig. 6

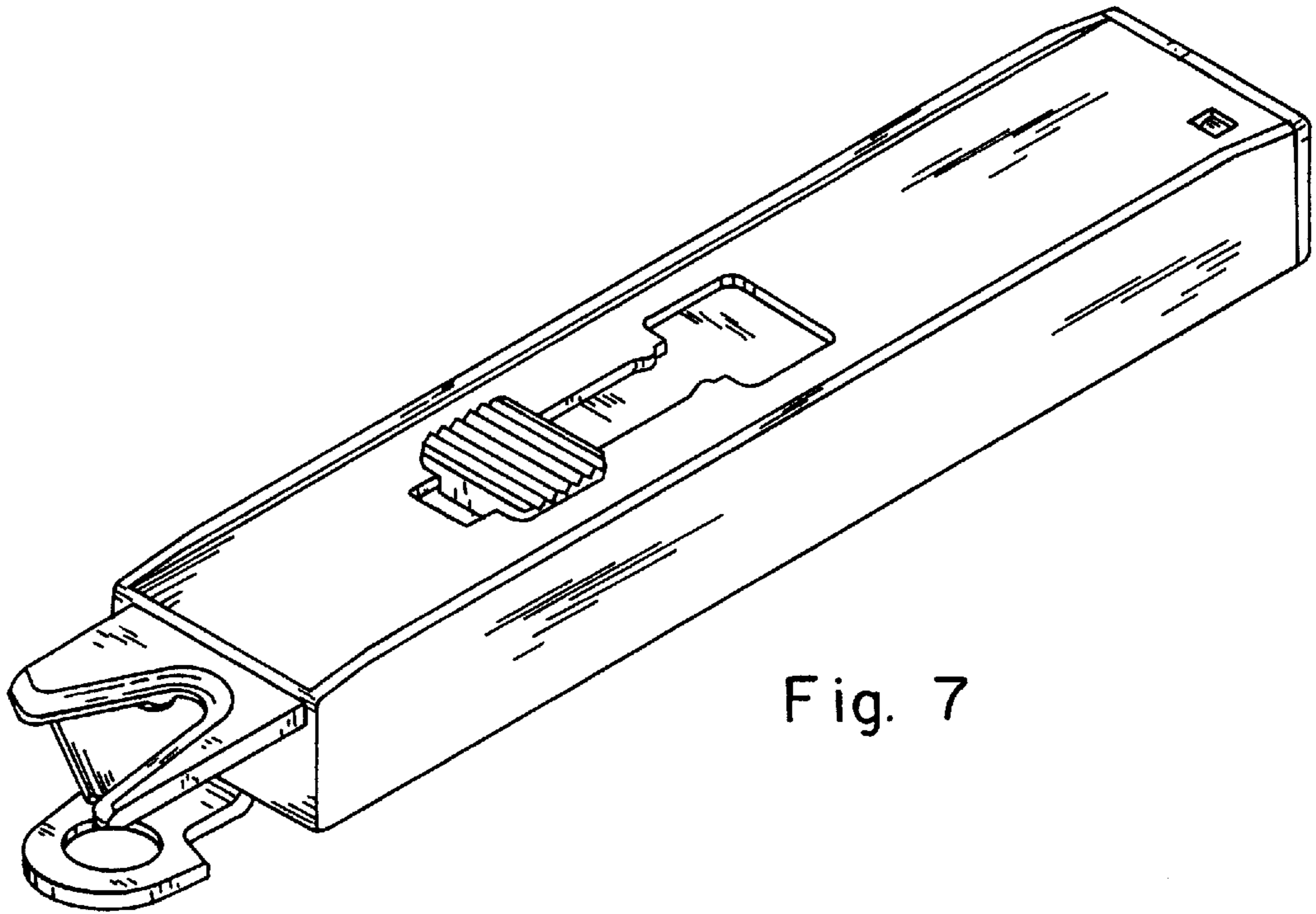


Fig. 7

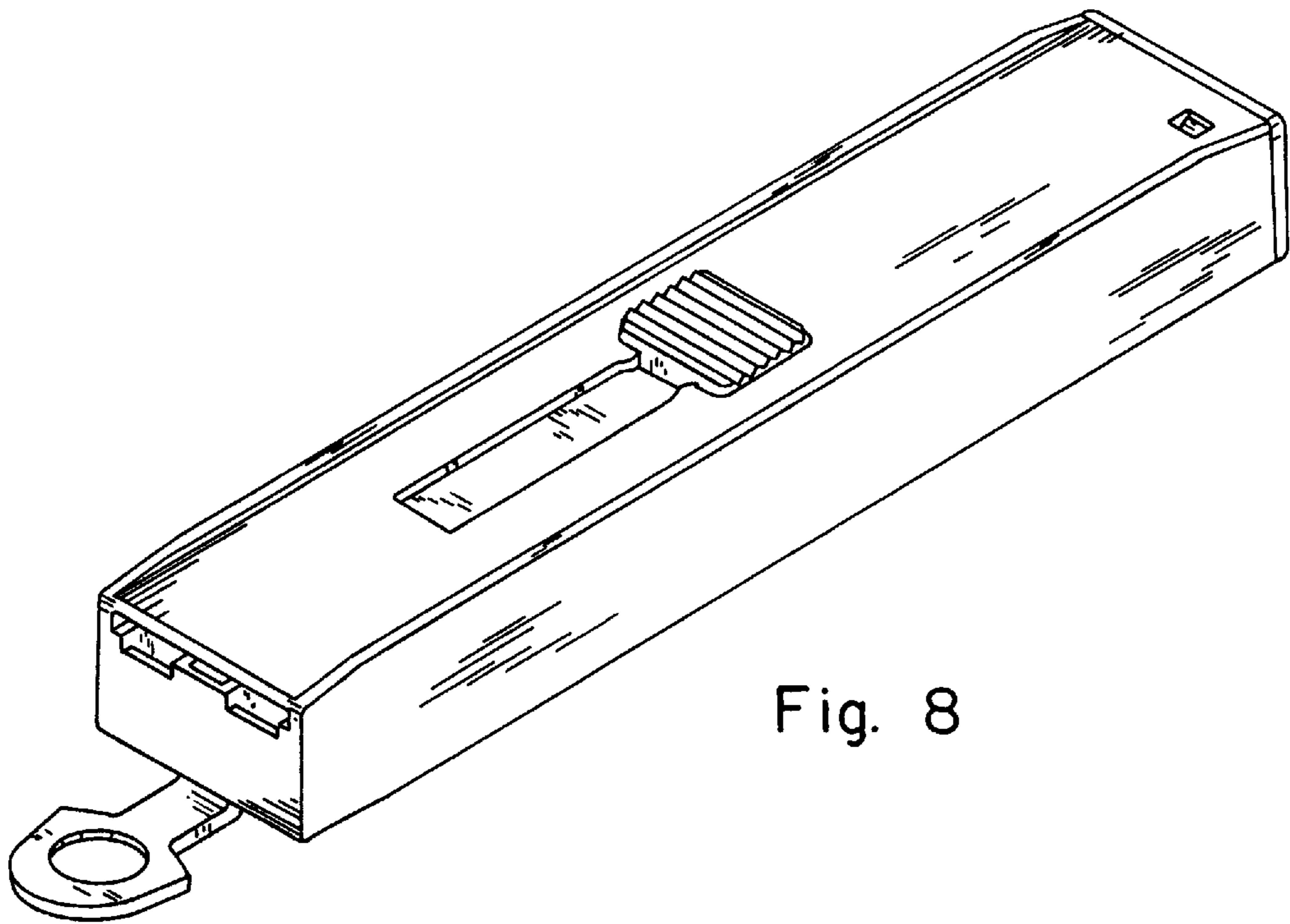


Fig. 8