



US00D403953S

# United States Patent [19] Yoon

[11] **Patent Number: Des. 403,953**

[45] **Date of Patent: \*\*Jan. 12, 1999**

[54] **GUM WRAPPER**

[75] Inventor: **Hae Geun Yoon**, Seoul, Rep. of Korea

[73] Assignee: **Lotte Confectionery Co., Ltd.**, Rep. of Korea

[\*\*] Term: **14 Years**

[21] Appl. No.: **75,370**

[22] Filed: **Jul. 17, 1997**

[51] **LOC (6) Cl. .... 09-05**

[52] **U.S. Cl. .... D9/305**

[58] **Field of Search** ..... D9/305, 306, 414,  
D9/432, 433; 229/87.01, 87.07, 87.08, 103.2,  
103.3, 116.1

[56] **References Cited**

**U.S. PATENT DOCUMENTS**

D. 227,352	6/1973	Meng et al. ....	D9/305
D. 358,323	5/1995	Lee .....	D9/305
1,329,056	1/1920	Mester .....	229/87.07
1,694,701	12/1928	Covel .....	229/87.08 X

2,077,300	4/1937	Abrams et al. ....	229/87.01 X
3,330,089	7/1967	Uematsu .....	229/87.01 X
5,027,946	7/1991	Parsons .....	229/87.01 X

*Primary Examiner*—James Gandy  
*Assistant Examiner*—Cathron B. Matta  
*Attorney, Agent, or Firm*—Finnegan, Henderson, Farabow,  
Garrett & Dunner, L.L.P.

[57] **CLAIM**

The ornamental design for gum wrapper, as shown and described.

**DESCRIPTION**

FIG. 1 is a perspective view of a gum wrapper embodying my design;

FIG. 2 is a front view thereof;

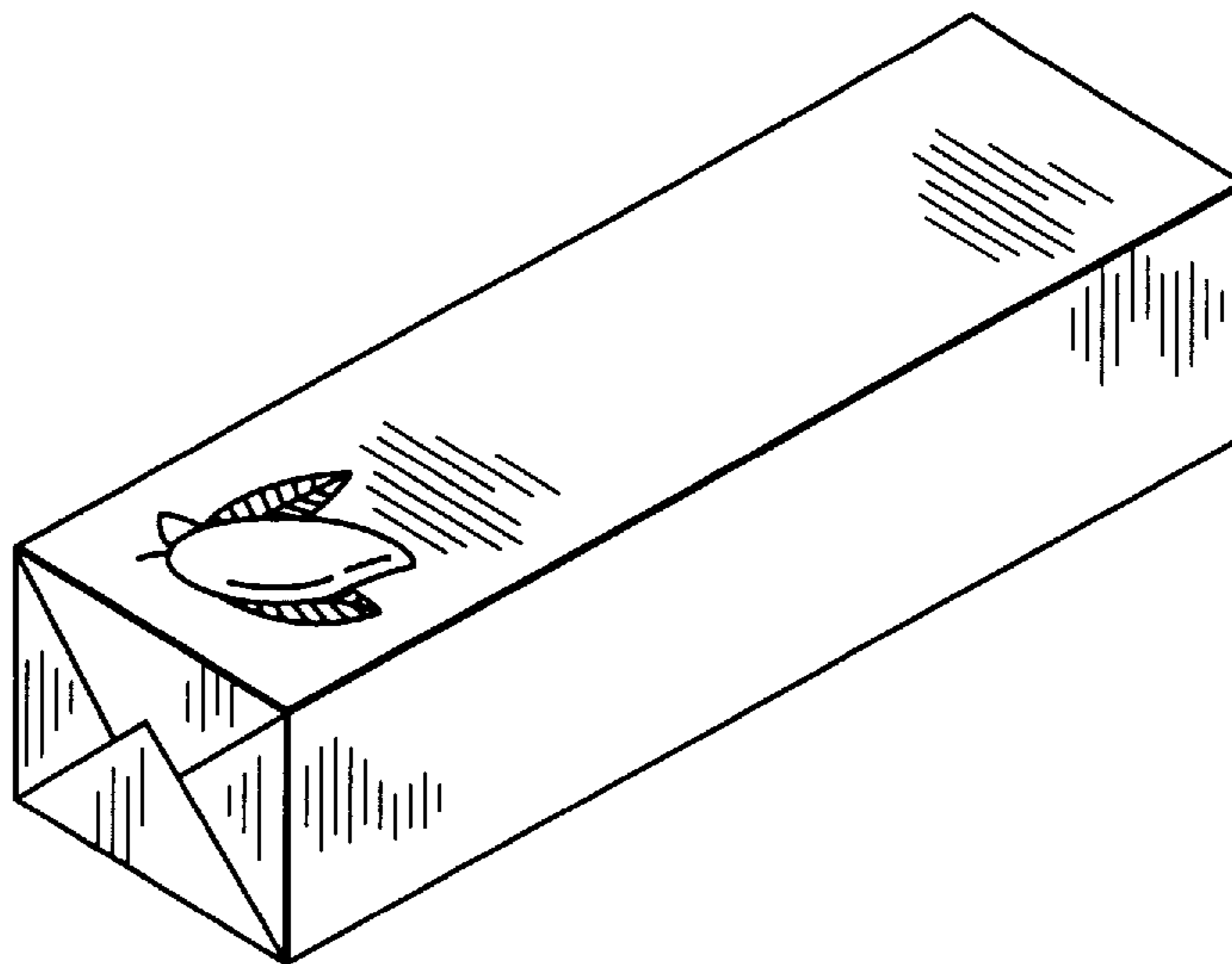
FIG. 3 is a rear view thereof;

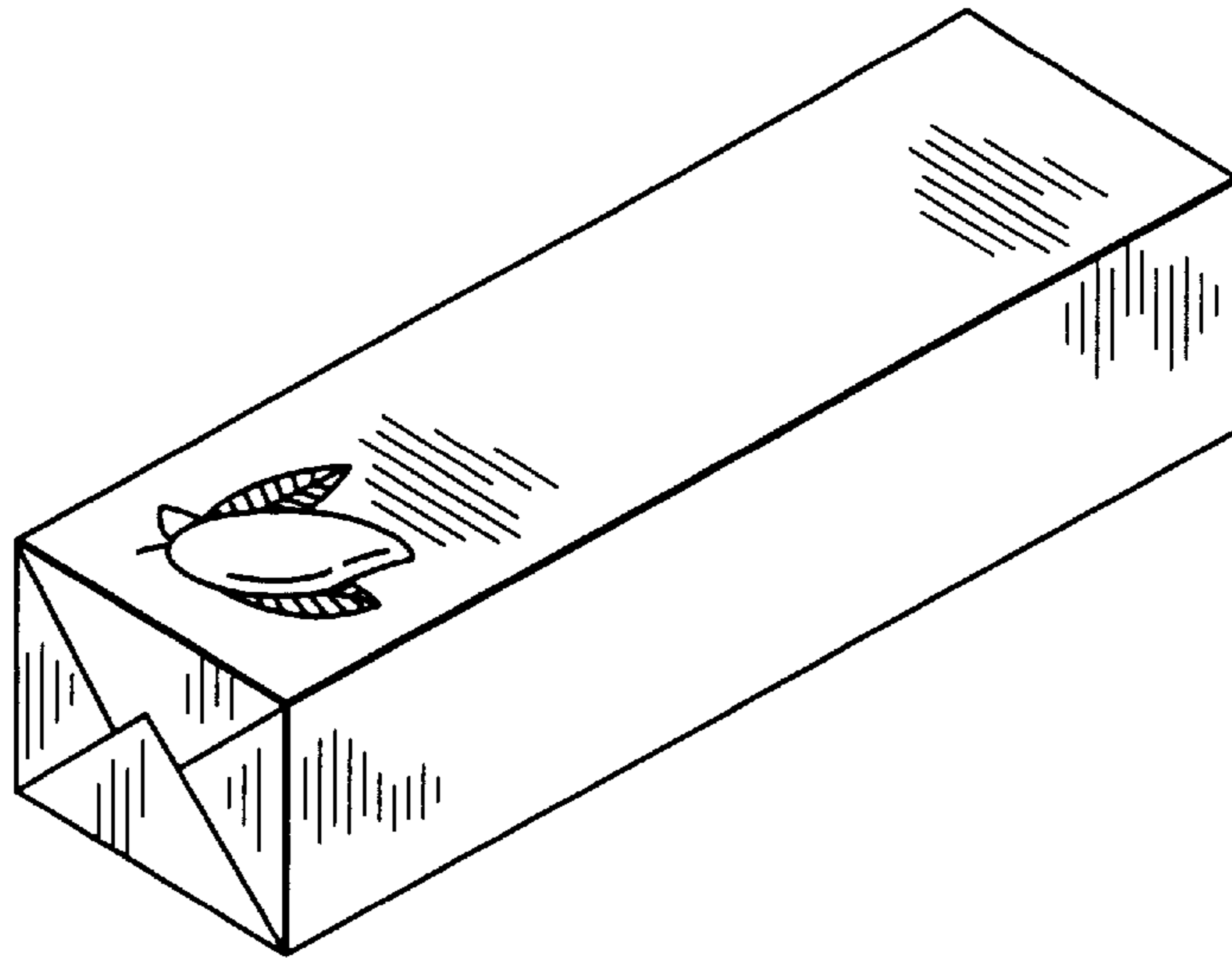
FIG. 4 is a top view thereof; and,

FIG. 5 is a right side view thereof, the left side being a mirror image of the right side.

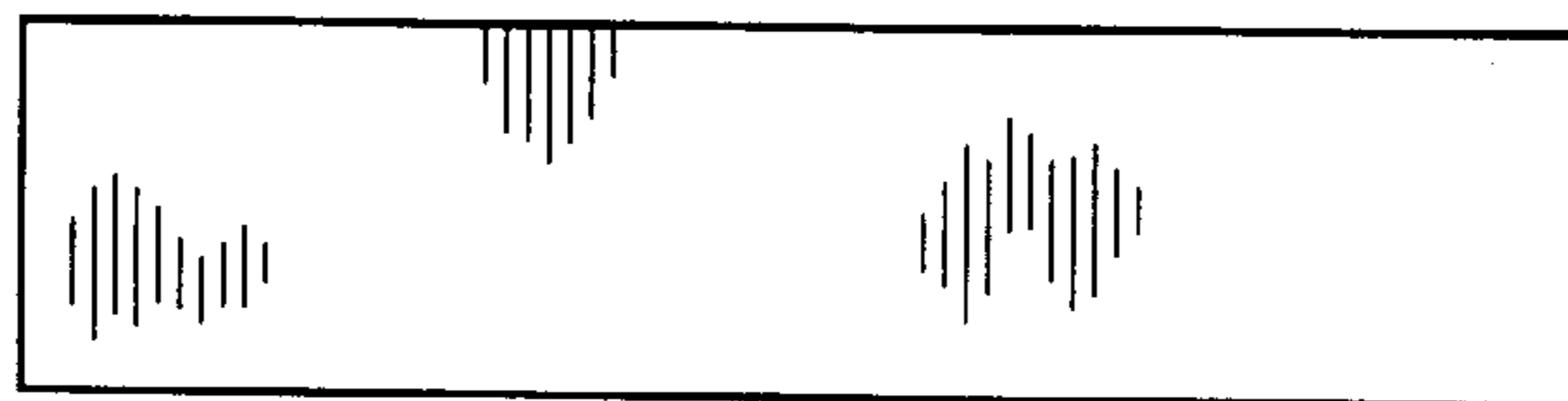
The bottom of the gum wrapper forms no part of the claimed design.

**1 Claim, 2 Drawing Sheets**

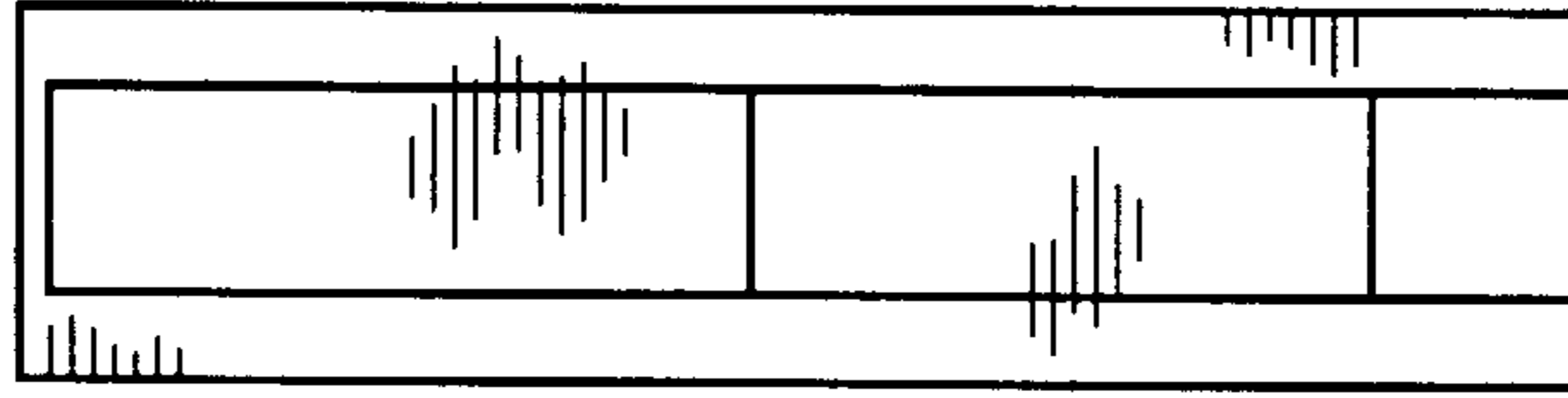




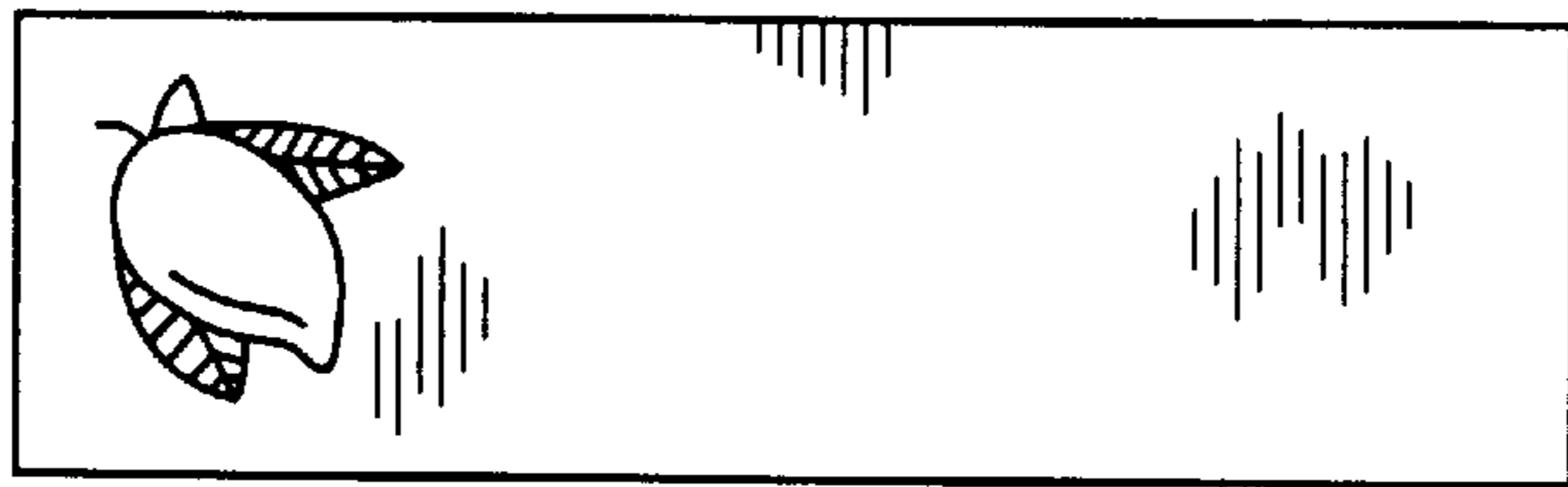
**FIG. 1**



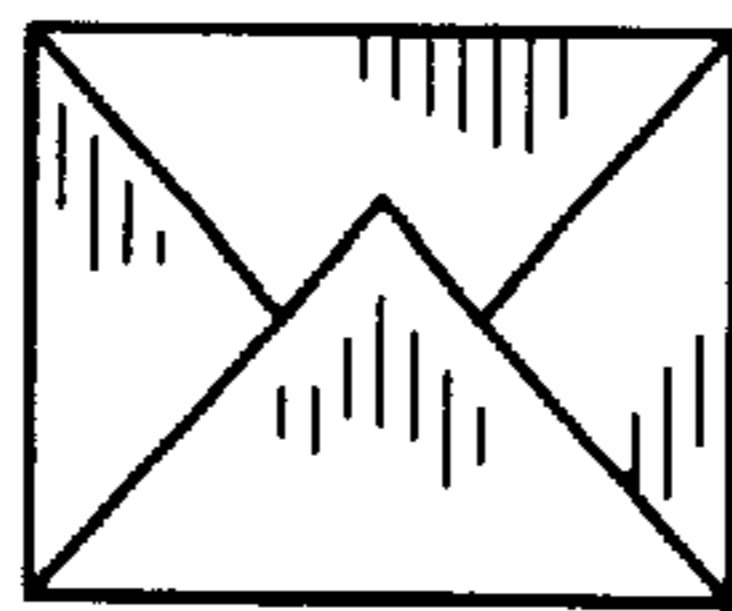
**FIG. 2**



**FIG. 3**



**FIG. 4**



**FIG. 5**