



US00D403952S

# United States Patent [19] Podell

[11] Patent Number: **Des. 403,952**

[45] Date of Patent: **\*\*Jan. 12, 1999**

[54] **FASTENER**

[75] Inventor: **Wayne Podell**, Budd Lake, N.J.

[73] Assignee: **Liz Claiborne, Inc.**, New York, N.Y.

[\*\*] Term: **14 Years**

[21] Appl. No.: **75,358**

[22] Filed: **Jul. 25, 1997**

[51] **LOC (6) Cl.** ..... **08-08**

[52] **U.S. Cl.** ..... **D8/382; D11/220**

[58] **Field of Search** ..... D11/200, 220,  
D11/231; D8/382, 349, 354, 373; 24/303,  
201

[56] **References Cited**

**U.S. PATENT DOCUMENTS**

D. 273,840	5/1984	Morita	.....	D8/382
D. 360,391	7/1995	Aoki	.....	D11/220
D. 375,061	10/1996	Morita	.....	D11/220
D. 386,669	11/1997	Aoki	.....	D8/382
4,505,007	3/1985	Aoki	.....	24/303
5,473,799	12/1995	Aoki	.....	24/303
5,572,773	11/1996	Bauer	.....	24/303
5,722,126	3/1998	Reiter	.....	24/303

*Primary Examiner*—Ralf Seifert

*Attorney, Agent, or Firm*—Kirschstein, et al.

[57] **CLAIM**

The ornamental design for a fastener, as shown and described.

**DESCRIPTION**

FIG. 1 is a top perspective view of a fastener according to my invention in assembled form;

FIG. 2 is a view analogous to FIG. 1, but showing the fastener in an exploded view;

FIG. 3 is a bottom perspective view of the fastener of FIG. 1;

FIG. 4 is a view analogous to FIG. 3, but showing the fastener in an exploded view;

FIG. 5 is a top plan view of the assembled fastener of FIG. 1;

FIG. 6 is a bottom plan view of the assembled fastener of FIG. 1;

FIG. 7 is a front elevational view of the assembled fastener of FIG. 1;

FIG. 8 is a right side elevational view of the assembled fastener of FIG. 1, the left side view being a mirror image;

FIG. 9 is a rear elevational view of the assembled fastener of FIG. 1;

FIG. 10 is a top plan view of a lower part of the fastener of FIG. 2;

FIG. 11 is a bottom plan view of the lower fastener part of FIG. 2;

FIG. 12 is a front elevational view of the lower fastener part of FIG. 2;

FIG. 13 is a right side elevational view of the lower fastener part of FIG. 2, the left side view being a mirror image;

FIG. 14 is a rear elevational view of the lower fastener part of FIG. 2;

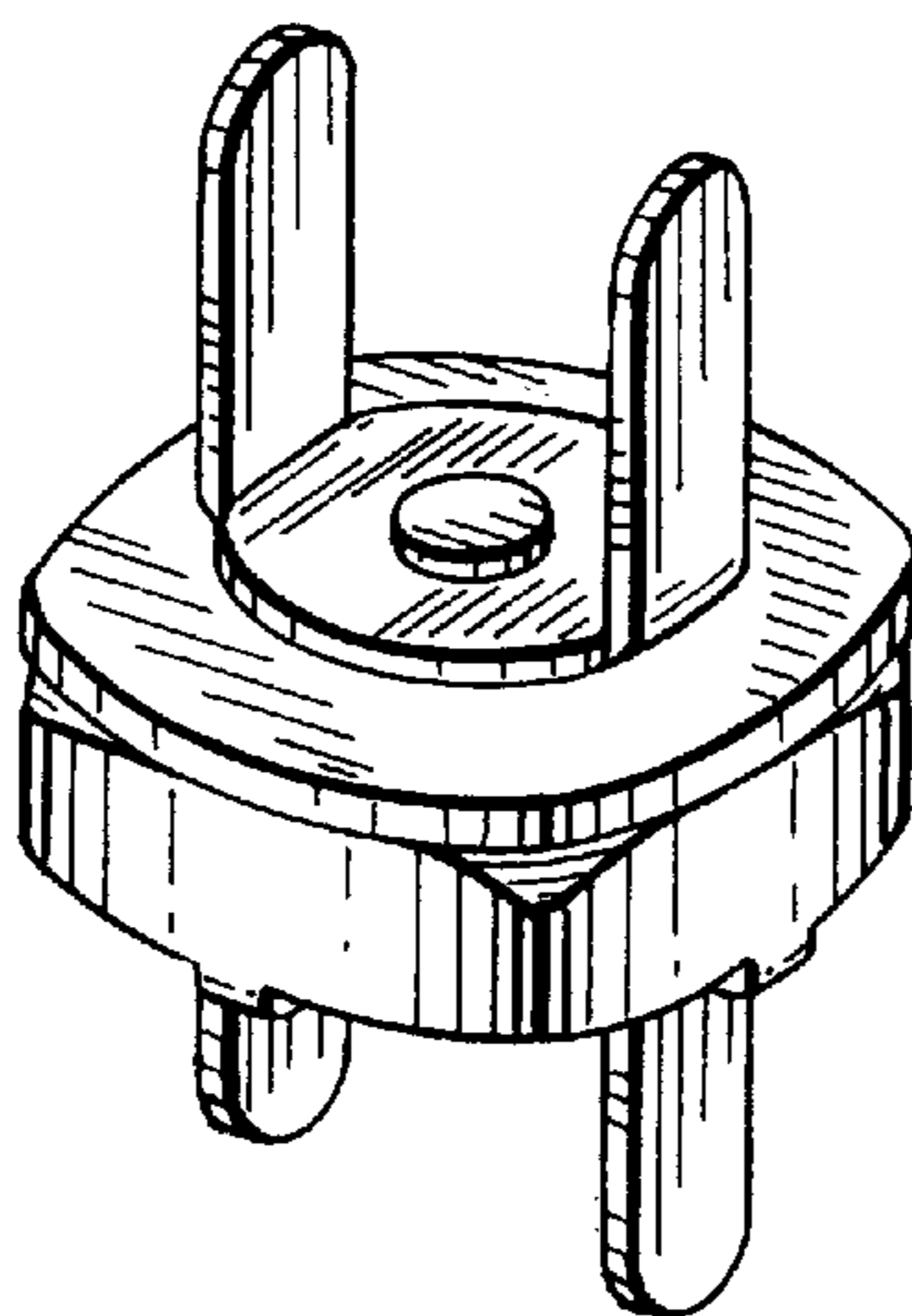
FIG. 15 is a top plan view of an upper part of the fastener of FIG. 2;

FIG. 16 is a bottom plan view of the upper part of the fastener of FIG. 2;

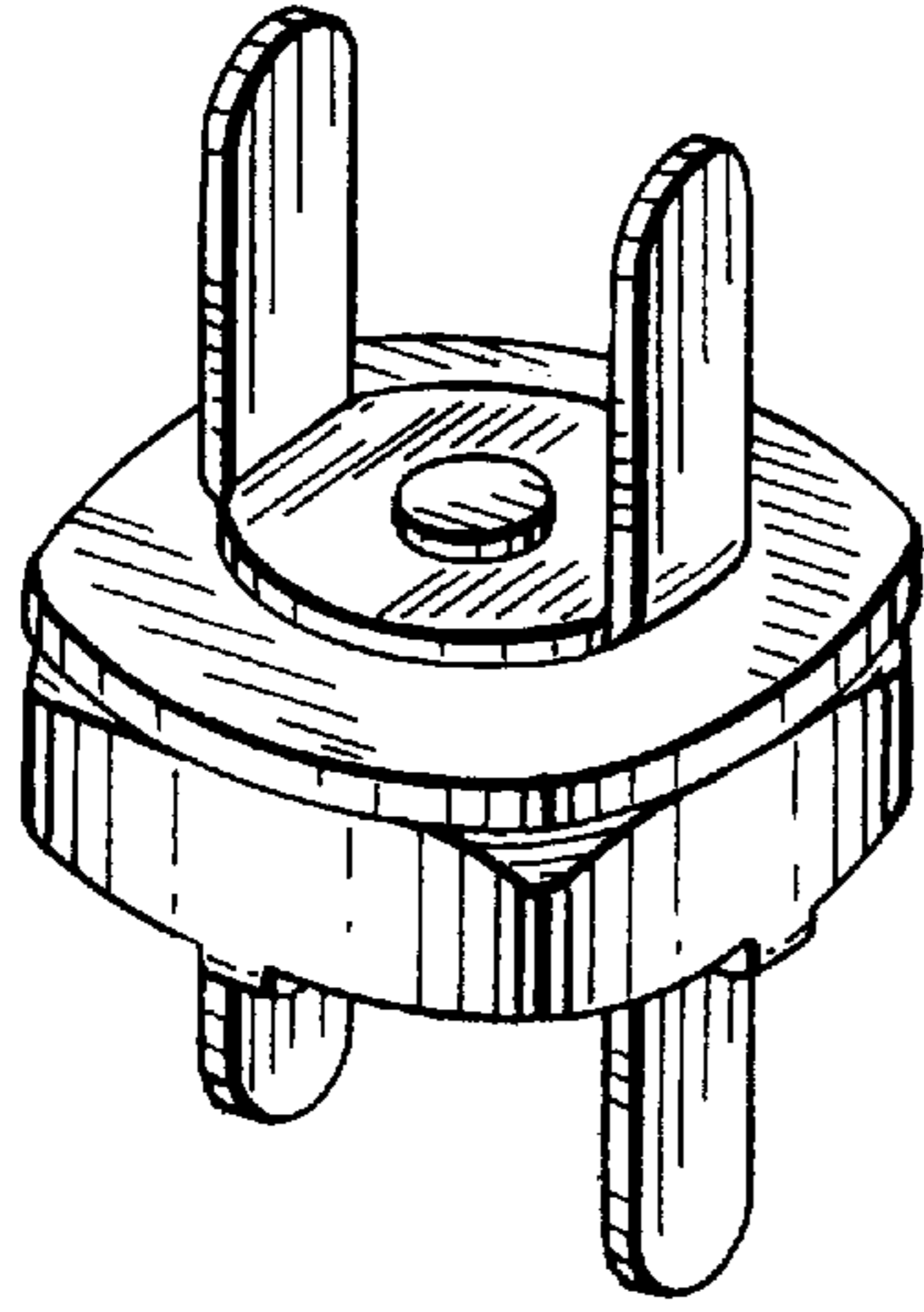
FIG. 17 is a front elevational view of the upper part of the fastener of FIG. 2, the rear view being a mirror image; and,

FIG. 18 is a right side elevational view of the upper part of the fastener of FIG. 2, the left side view being a mirror image.

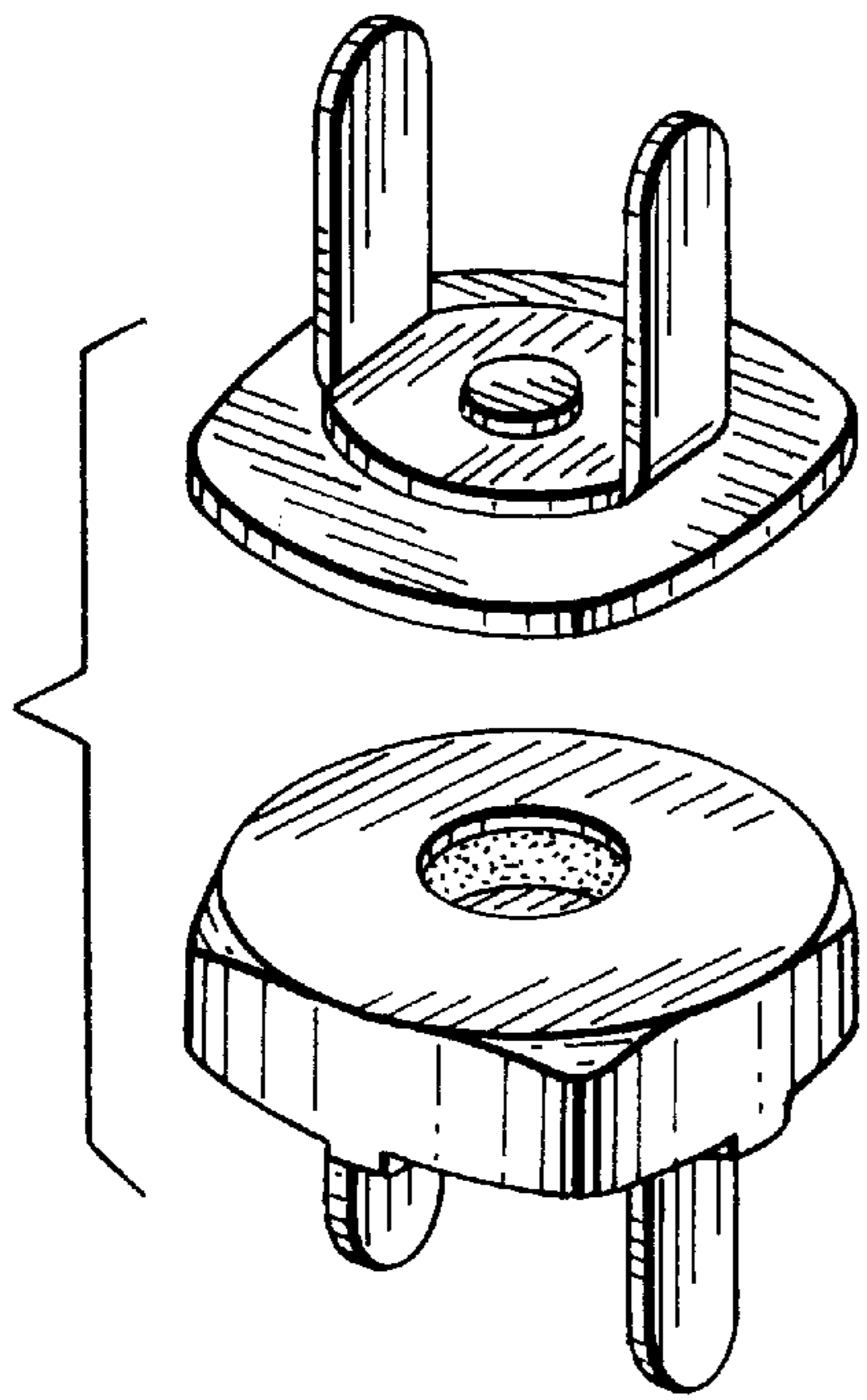
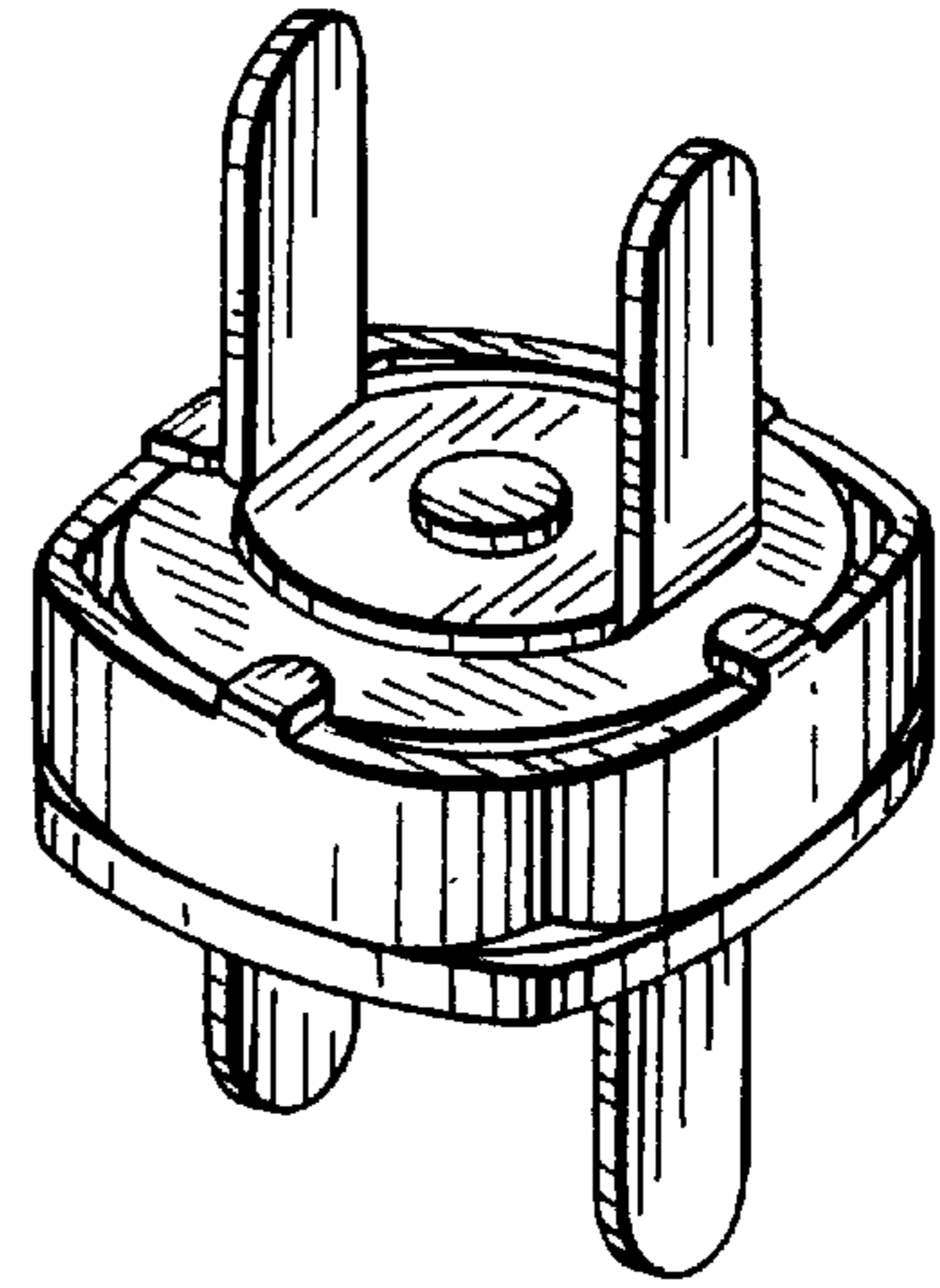
**1 Claim, 4 Drawing Sheets**



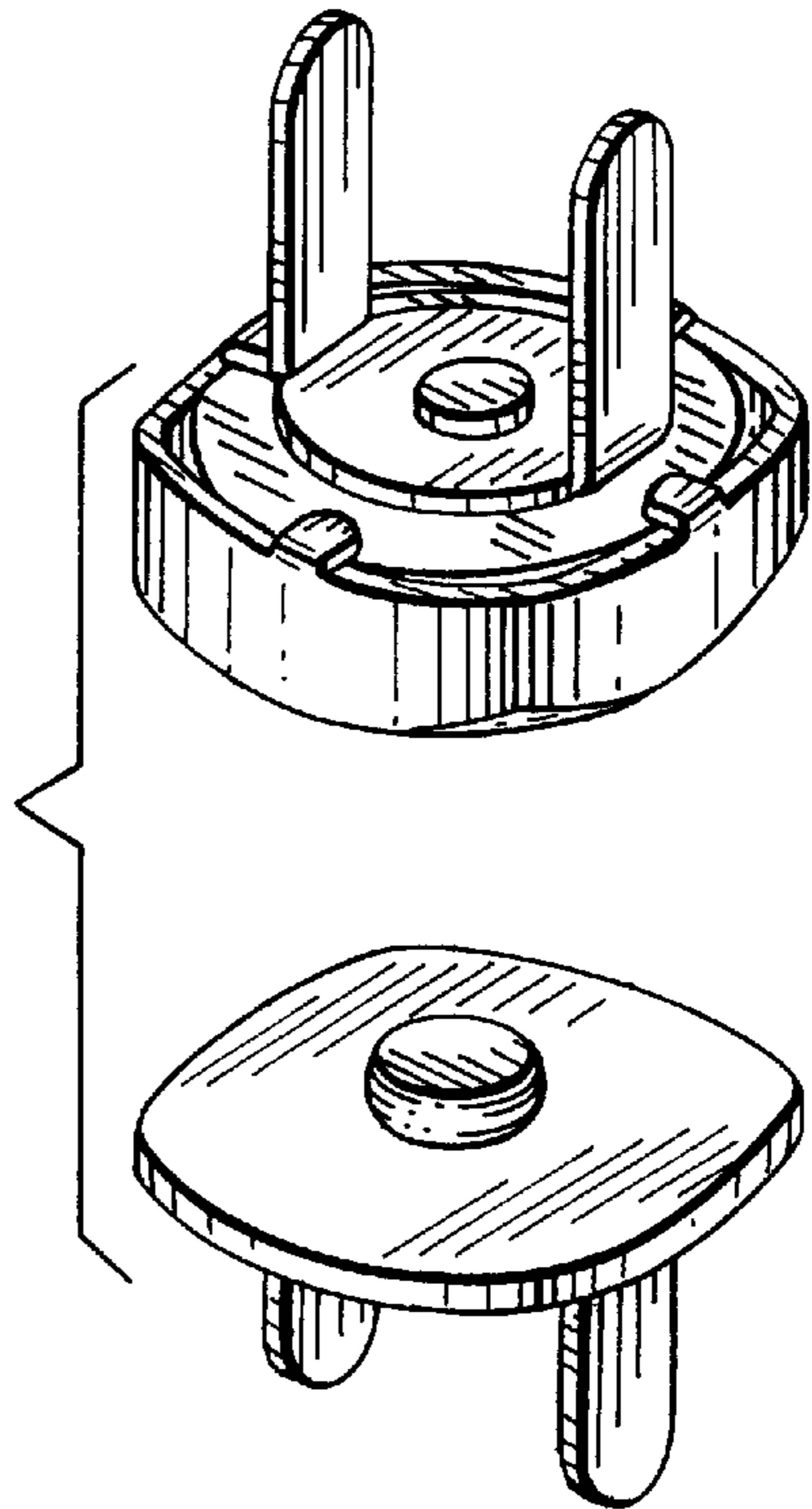
**FIG. 1**



**FIG. 3**

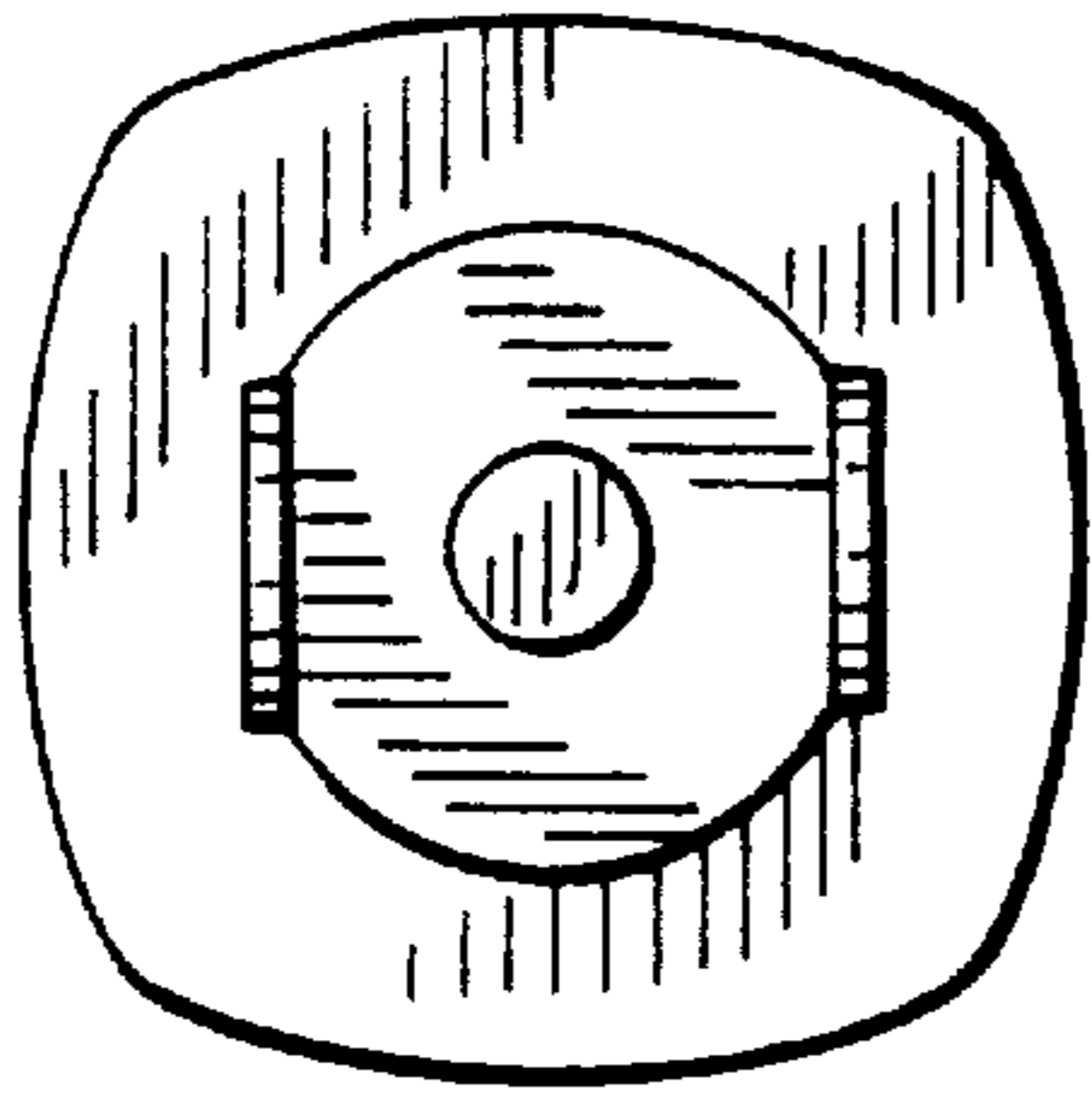


**FIG. 2**

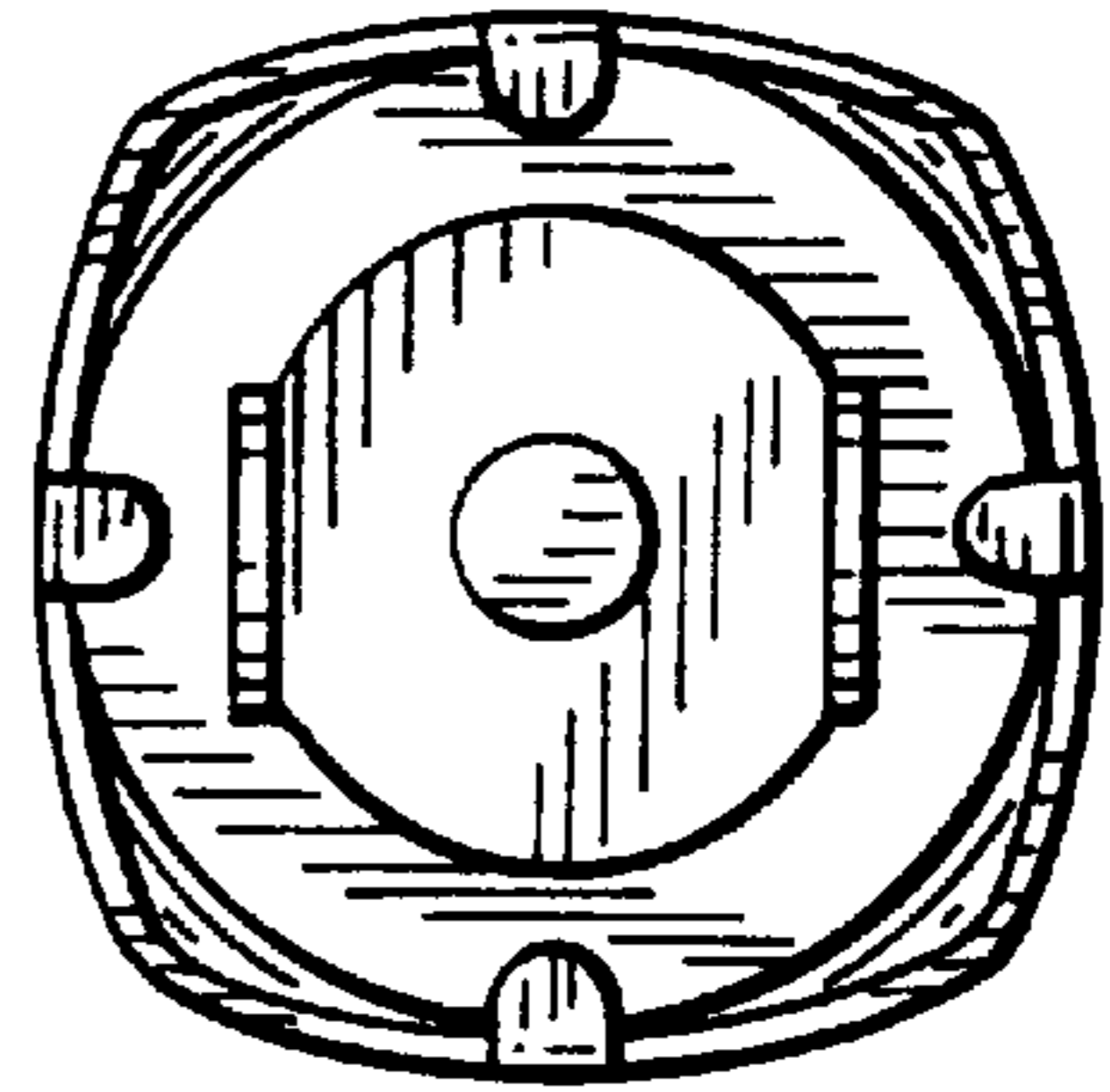


**FIG. 4**

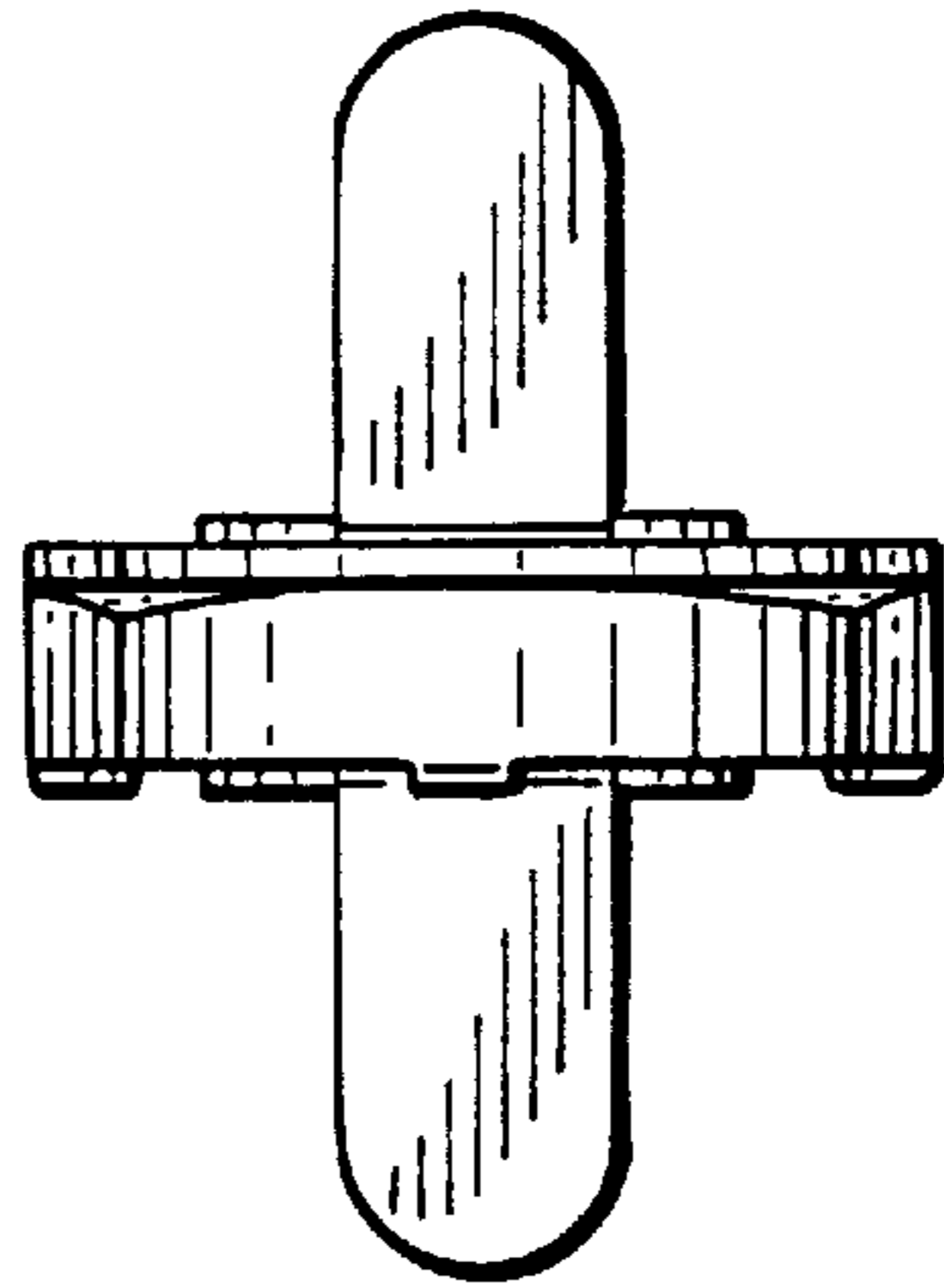
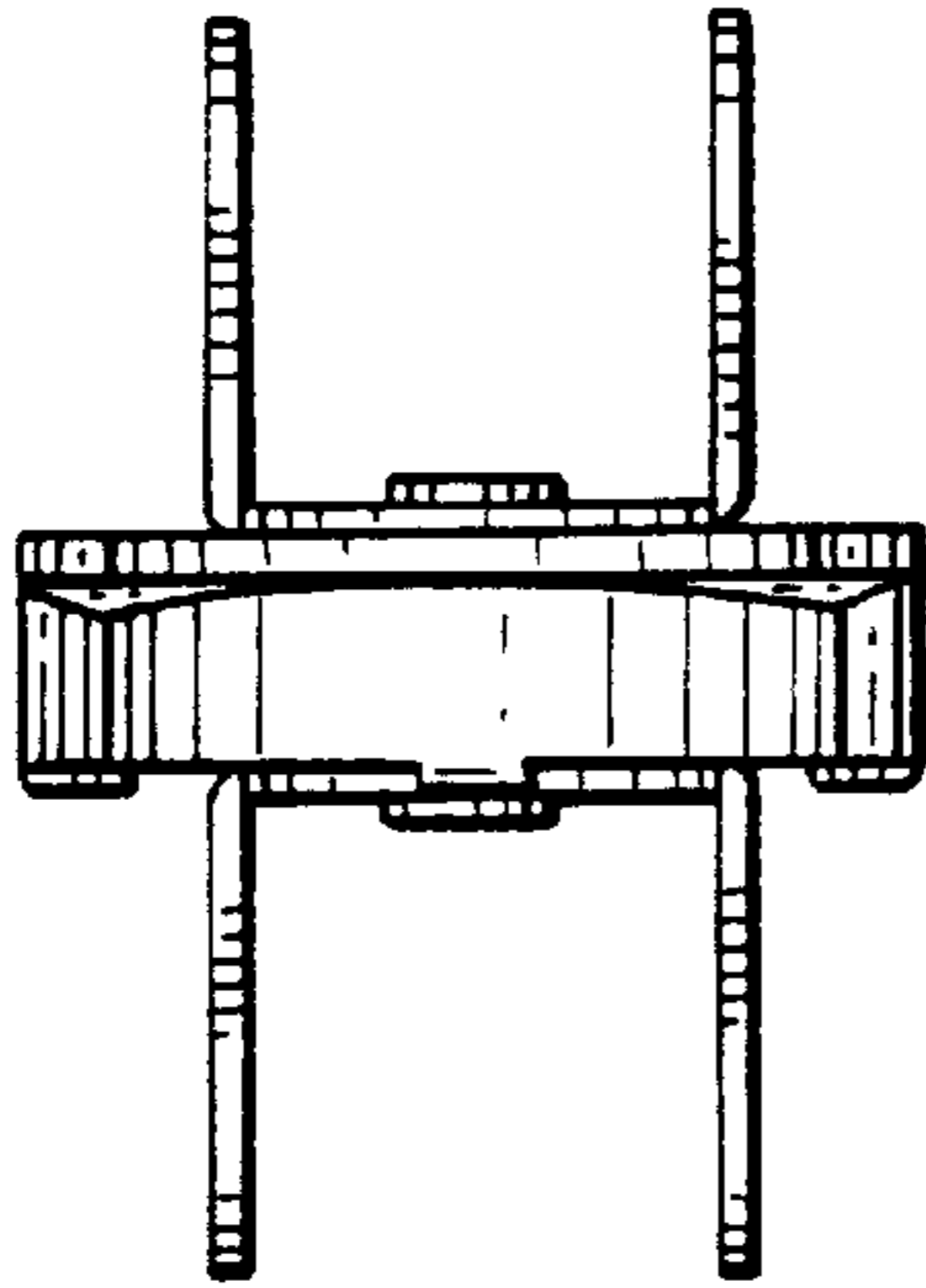
*FIG. 5*



*FIG. 6*

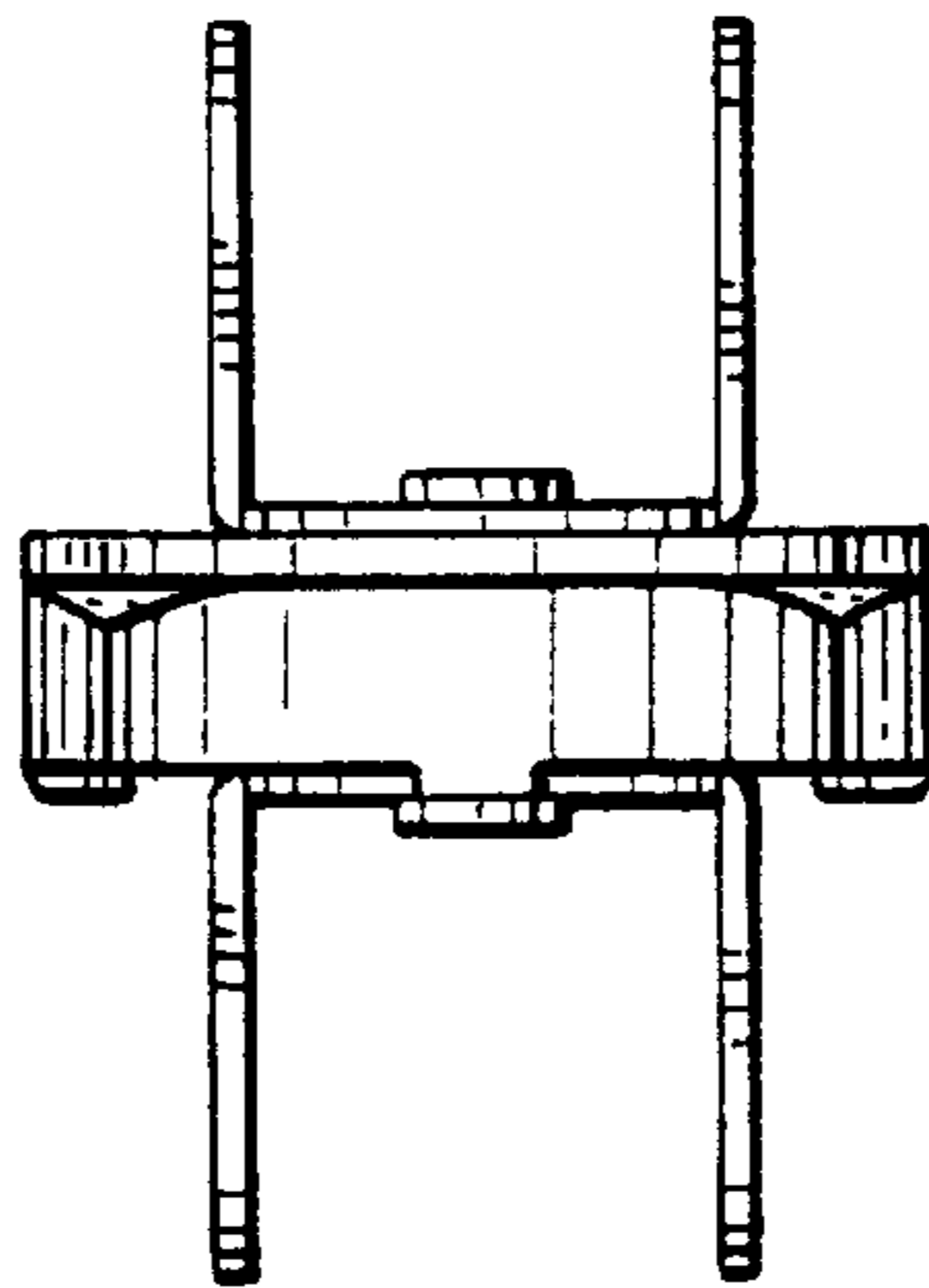


*FIG. 7*

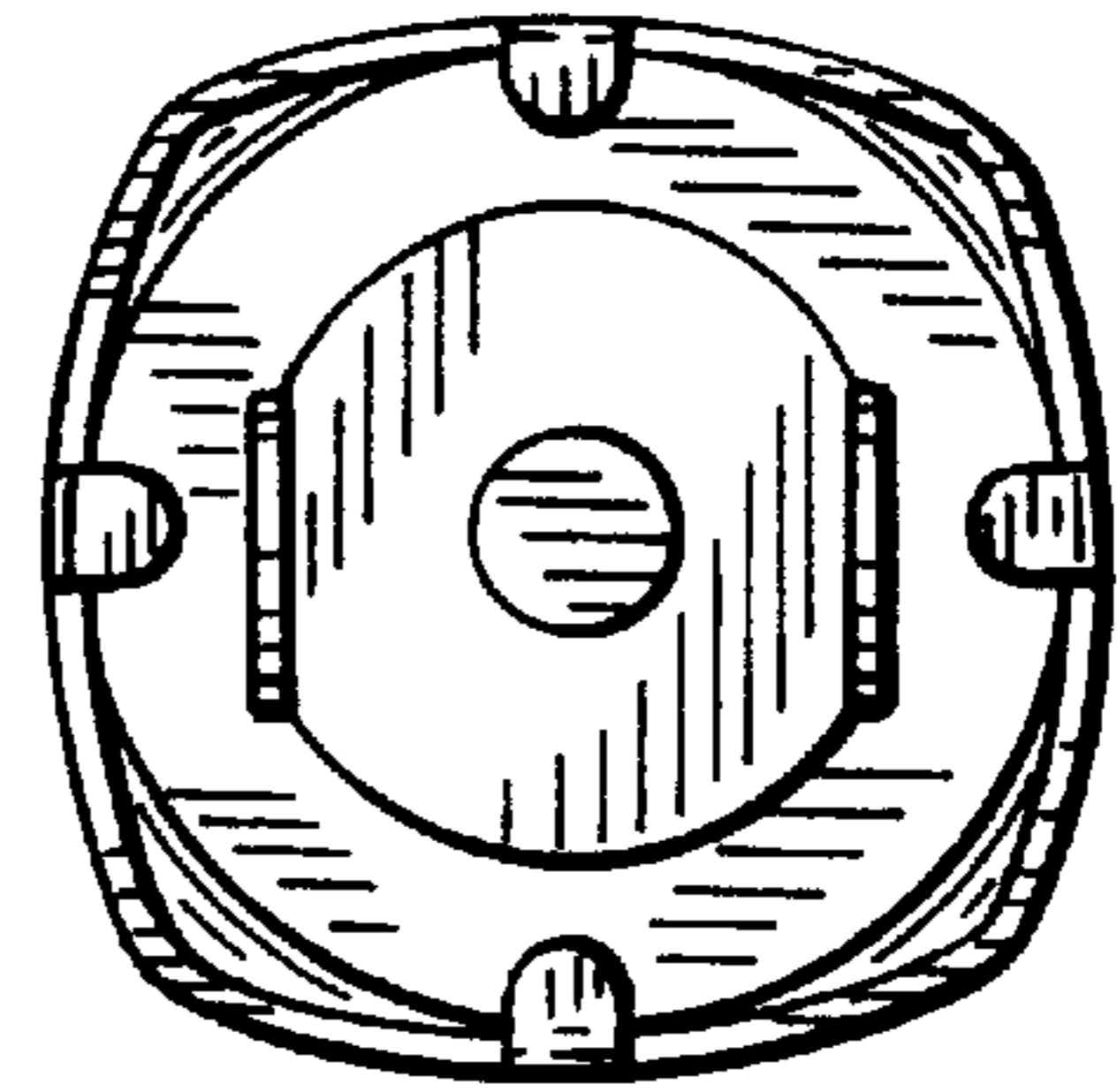
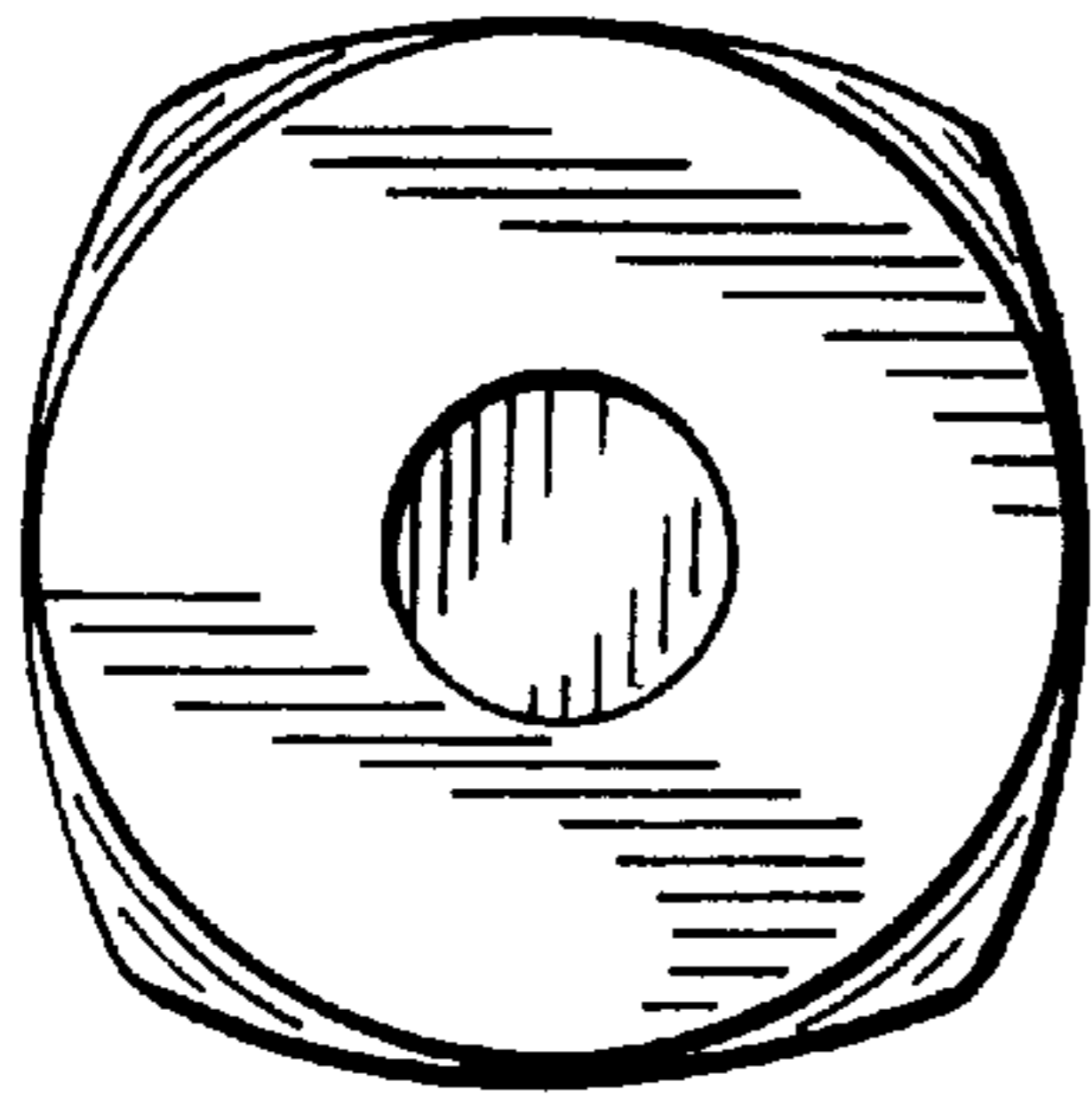


*FIG. 8*

*FIG. 9*

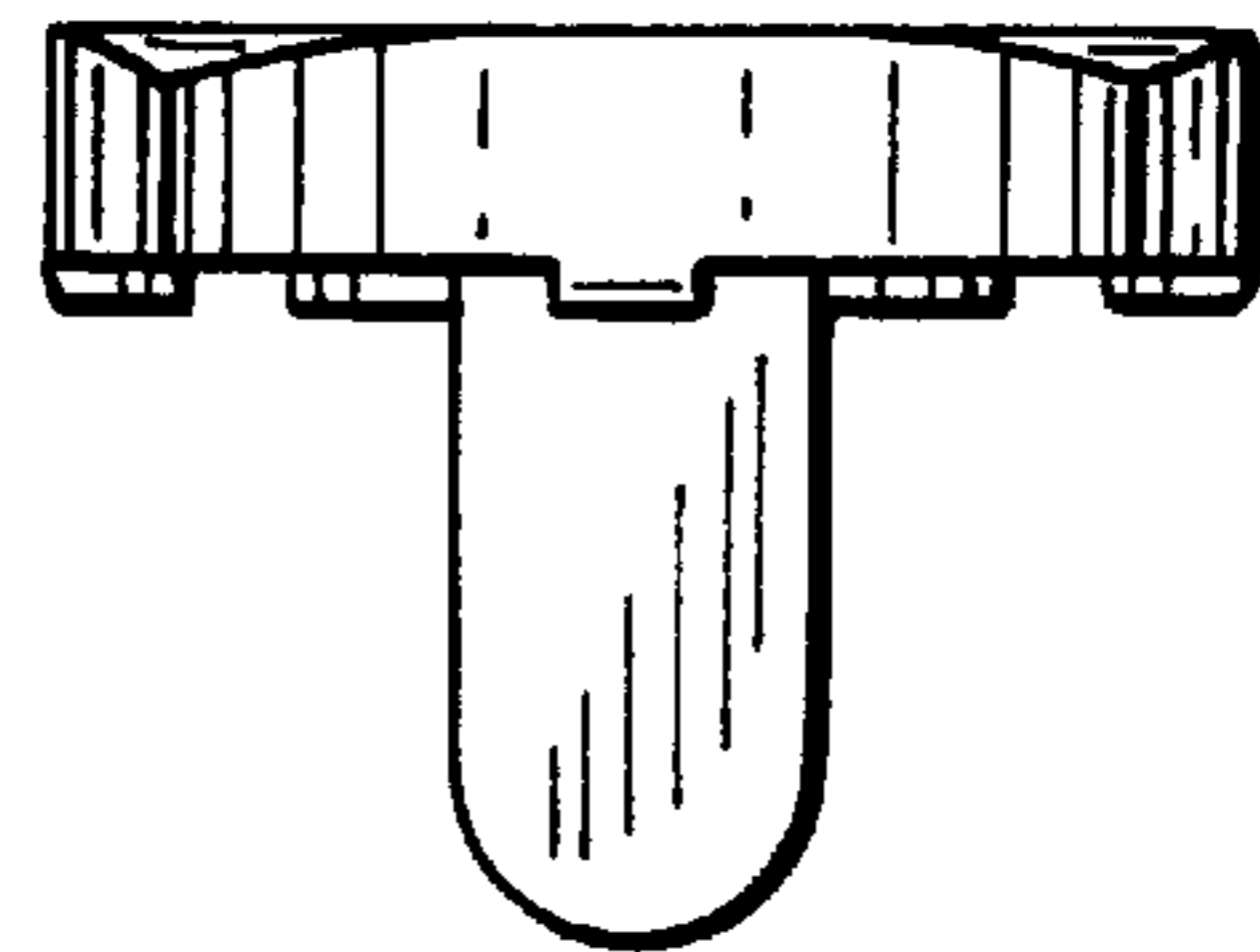
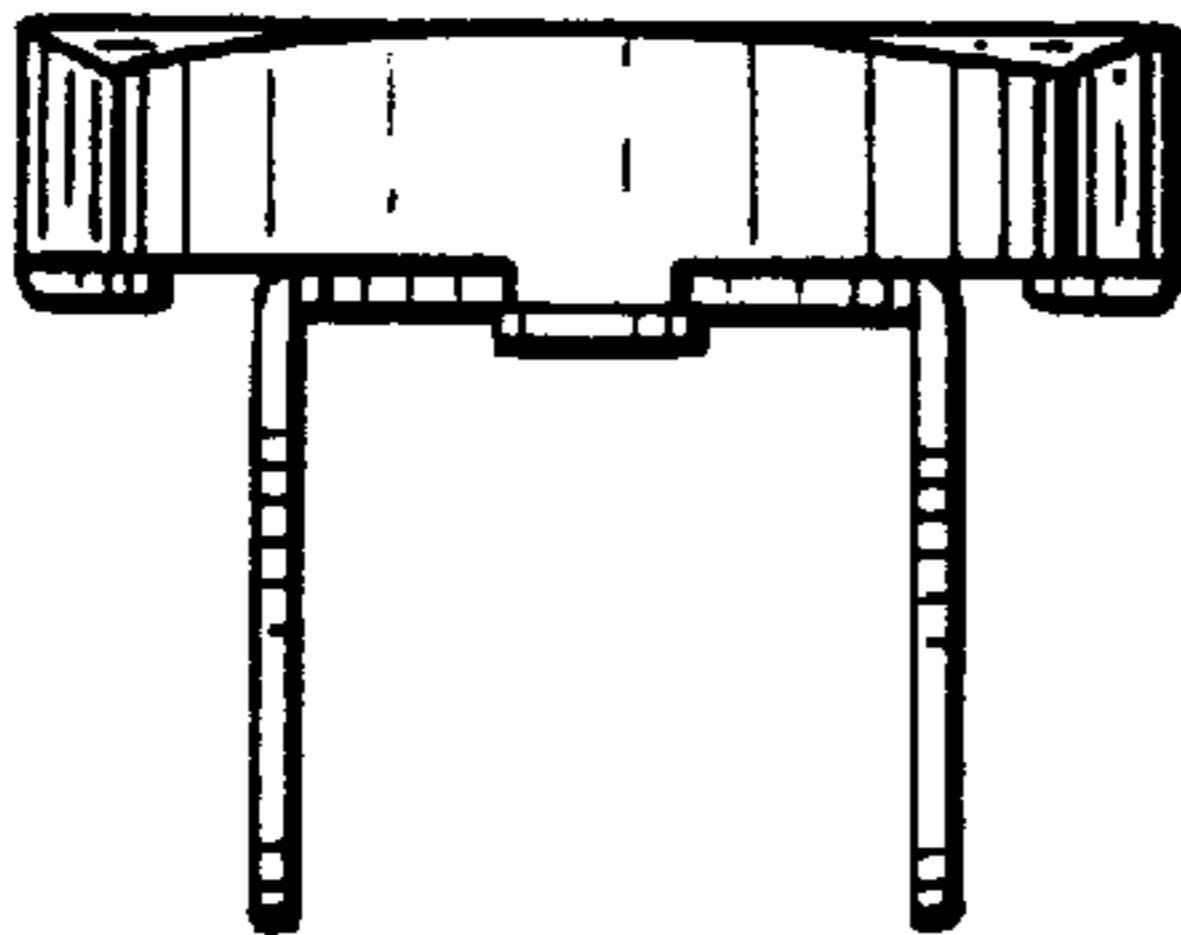


*FIG. 10*



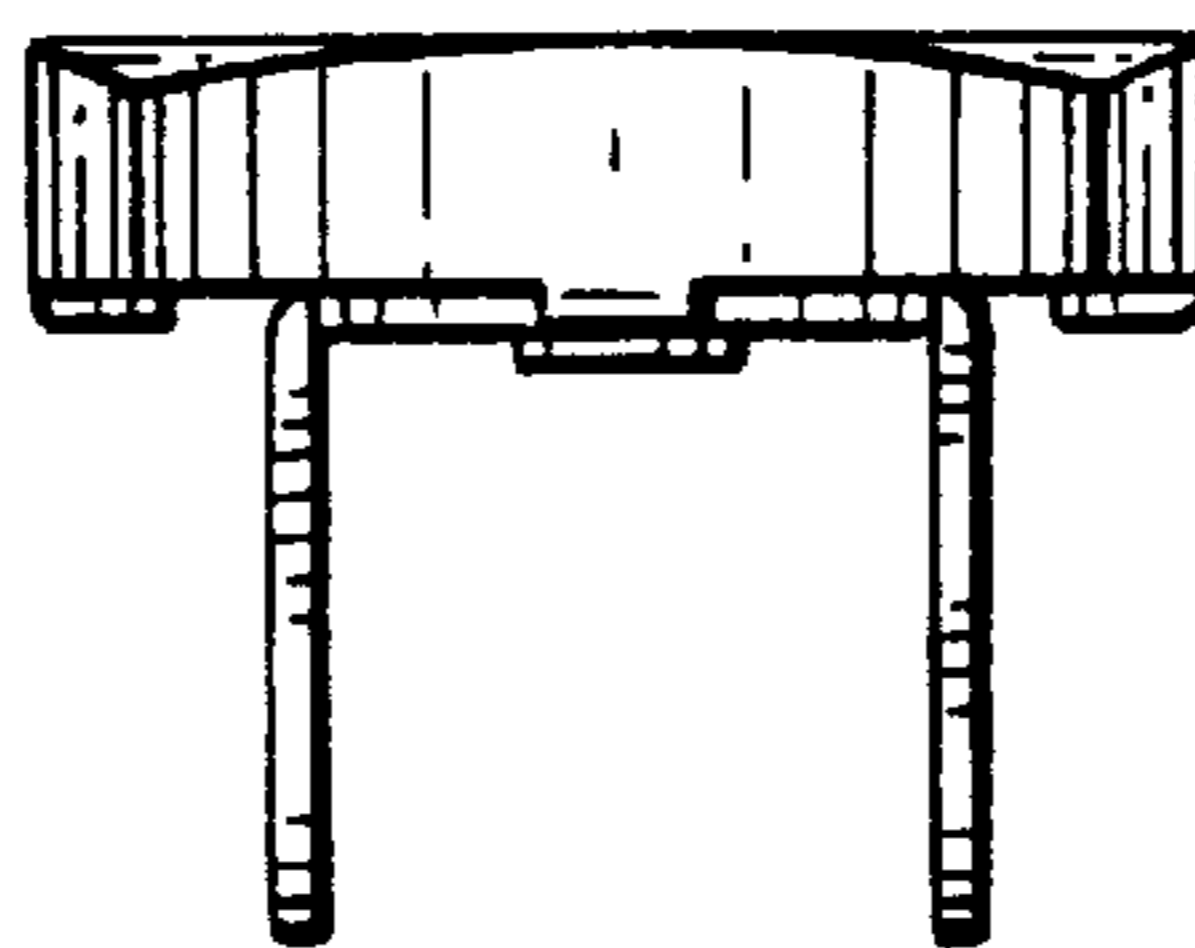
*FIG. 11*

*FIG. 12*

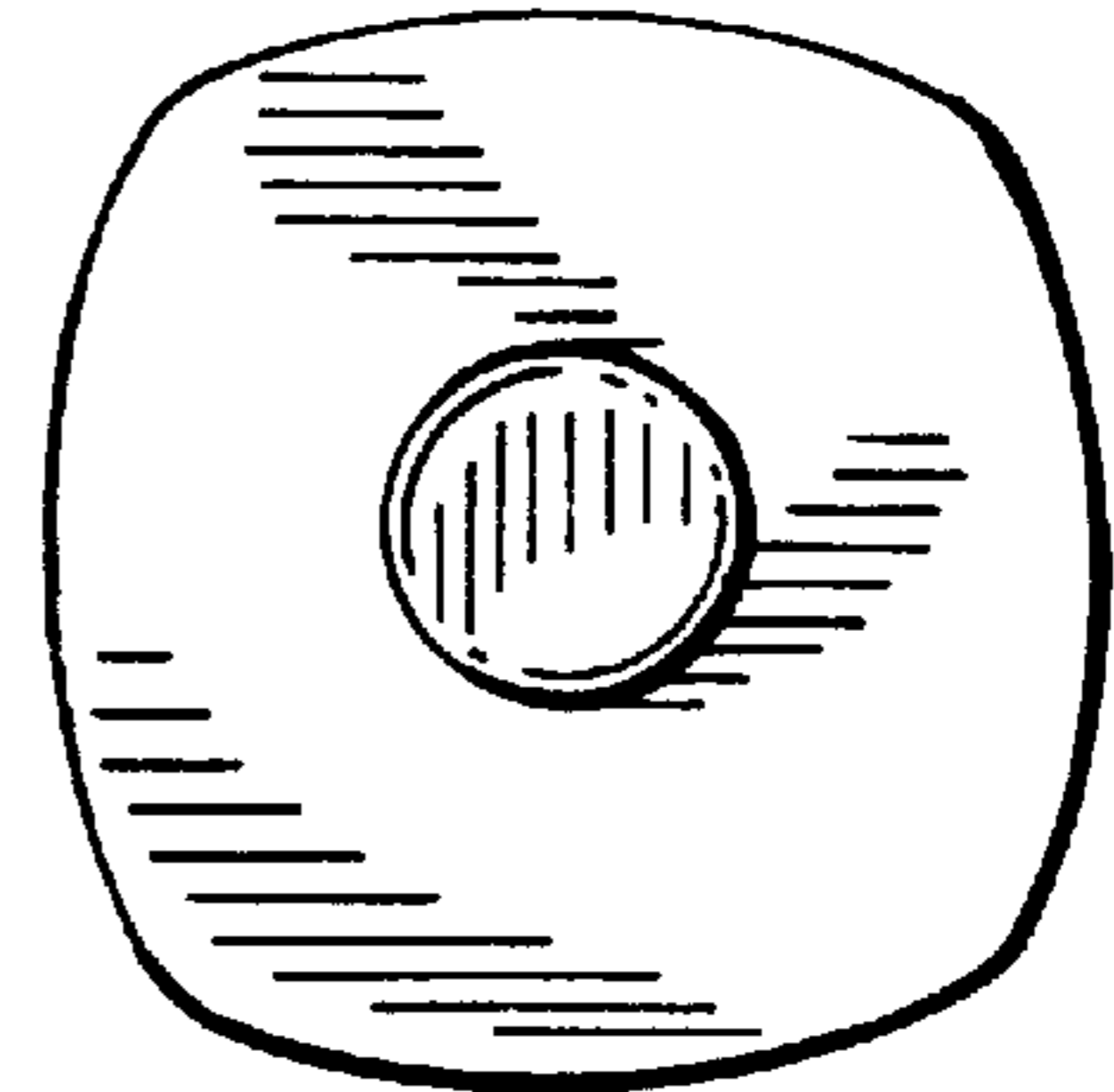
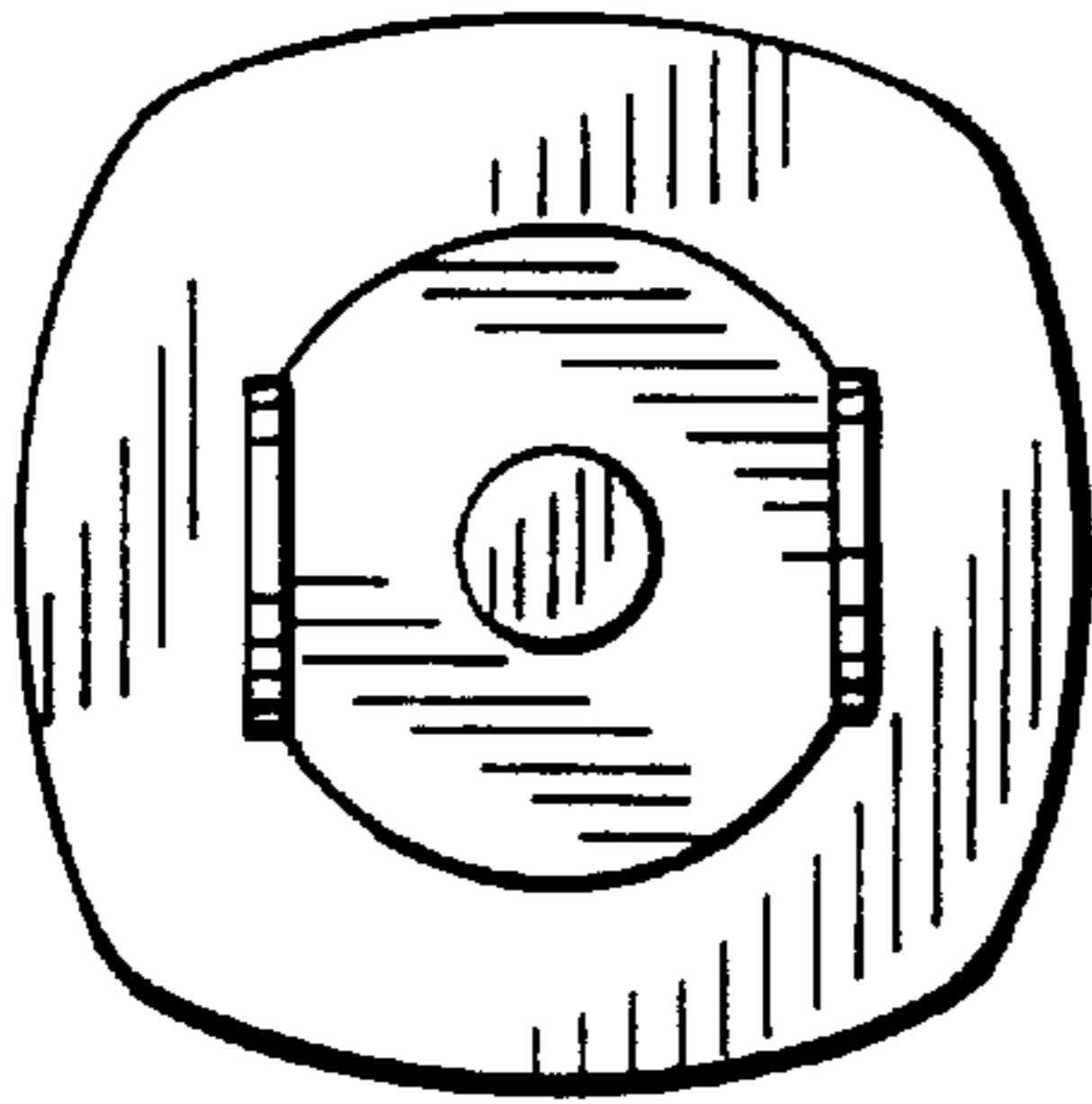


*FIG. 13*

*FIG. 14*

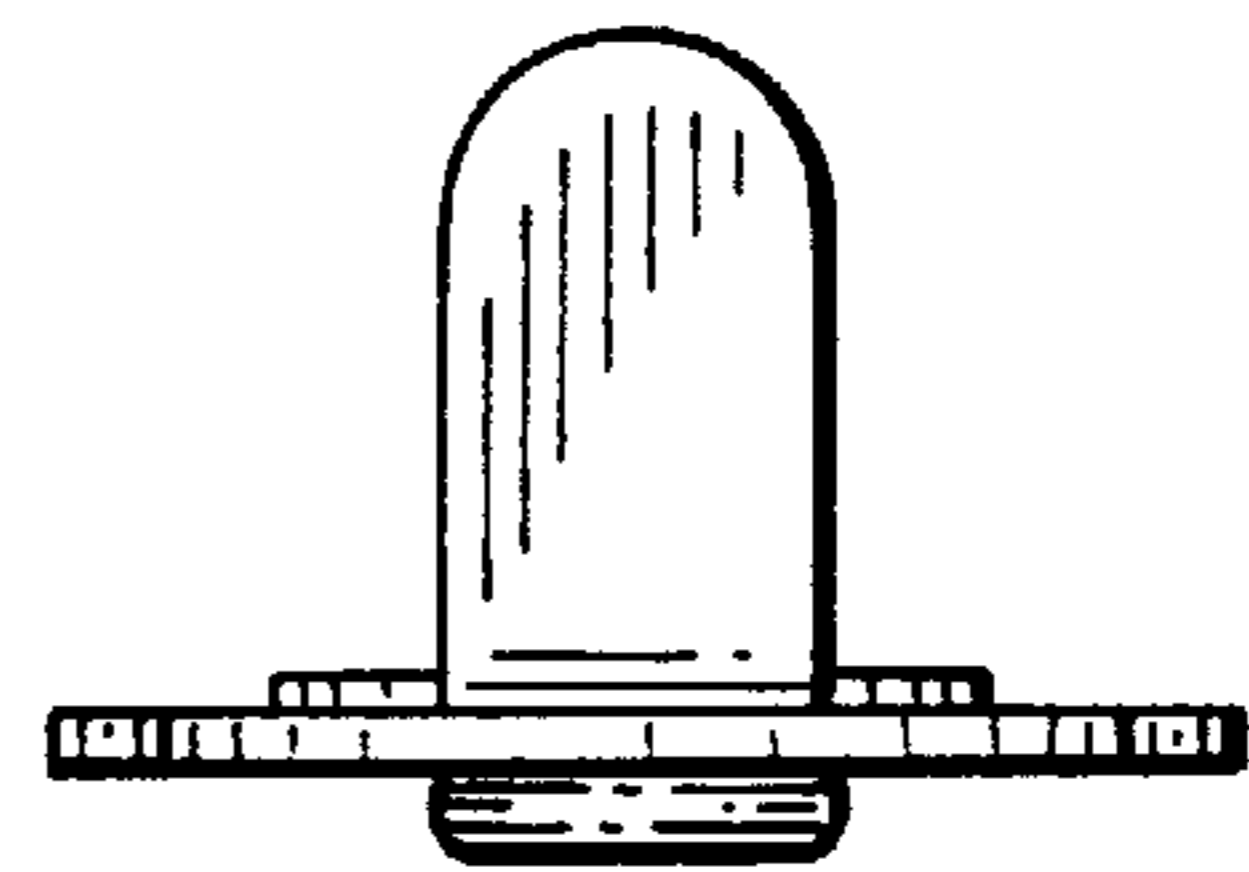
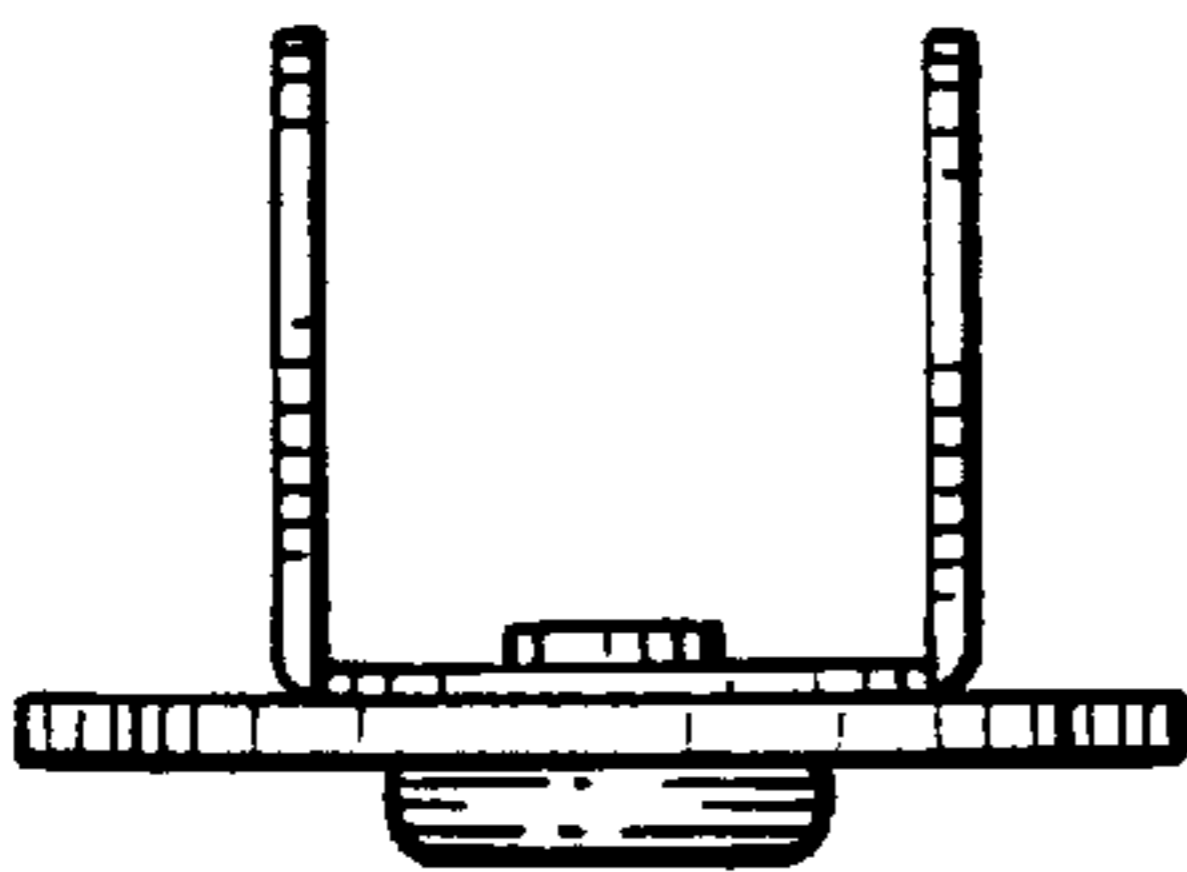


*FIG. 15*



*FIG. 16*

*FIG. 17*



*FIG. 18*