



US00D403951S

# United States Patent [19] Lin

[11] **Patent Number: Des. 403,951**

[45] **Date of Patent: \*\*Jan. 12, 1999**

[54] **REAR MOUNTED CABLE MANAGEMENT BAR**

[75] Inventor: **Mike H. Lin**, Cerritos, Calif.

[73] Assignee: **International Connectors and Cable Corporation**, Cerritos, Calif.

[\*\*] Term: **14 Years**

[21] Appl. No.: **76,938**

[22] Filed: **Sep. 16, 1997**

[51] **LOC (6) Cl. .... 08-05**

[52] **U.S. Cl. .... D8/356**

[58] **Field of Search ..... D8/356, 373; D13/155; 248/56, 65; 211/100**

[56] **References Cited**

**U.S. PATENT DOCUMENTS**

D. 311,484	10/1990	Sachs	.....	D8/367
D. 317,112	5/1991	Newirth et al.	.....	D8/373 X
3,226,468	12/1965	Patton et al.	.....	D8/356 X

**OTHER PUBLICATIONS**

2996 Full Line System Solutions Catalog, Ortronics, Cover page and p. 64, 1996.

Interlink Technologies, cover, p. A.1.17 Aug. 1996.

The Siemon Company Catalog—1997, Cover Page, p. 3.

*Primary Examiner*—Holly Baynham

*Attorney, Agent, or Firm*—Pretty, Schroeder & Poplawski

[57] **CLAIM**

I claim a rear mounted cable management bar, as shown and described.

**DESCRIPTION**

FIG. 1 is a top isometric view of a rear mounted cable management bar showing my new design;

FIG. 2 is a bottom isometric view thereof;

FIG. 3 is a rear view of thereof;

FIG. 4 is a top view thereof;

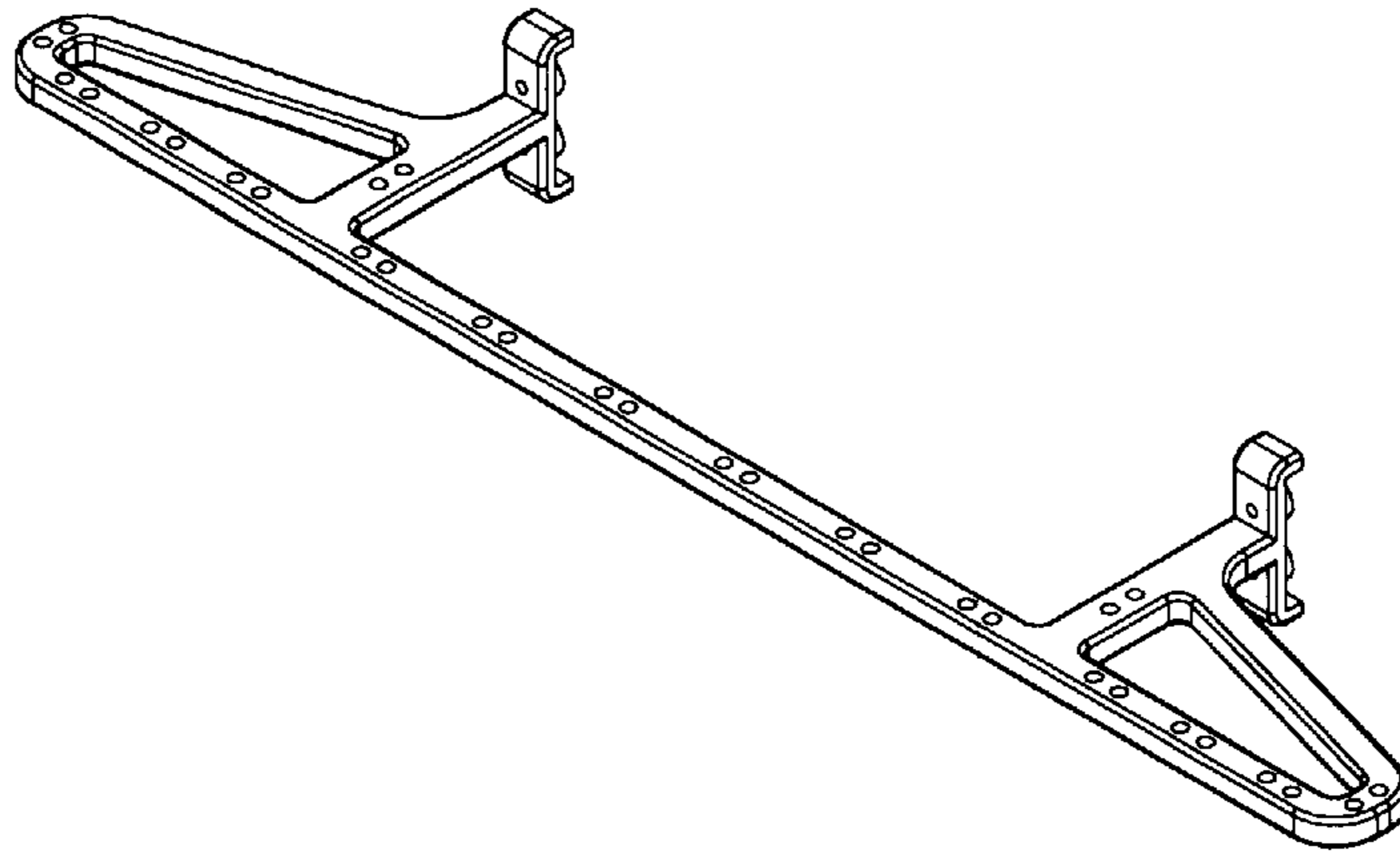
FIG. 5 is a front view thereof;

FIG. 6 is a bottom view thereof;

FIG. 7 is a left side view thereof;

FIG. 8 is a right side view thereof;

**1 Claim, 2 Drawing Sheets**



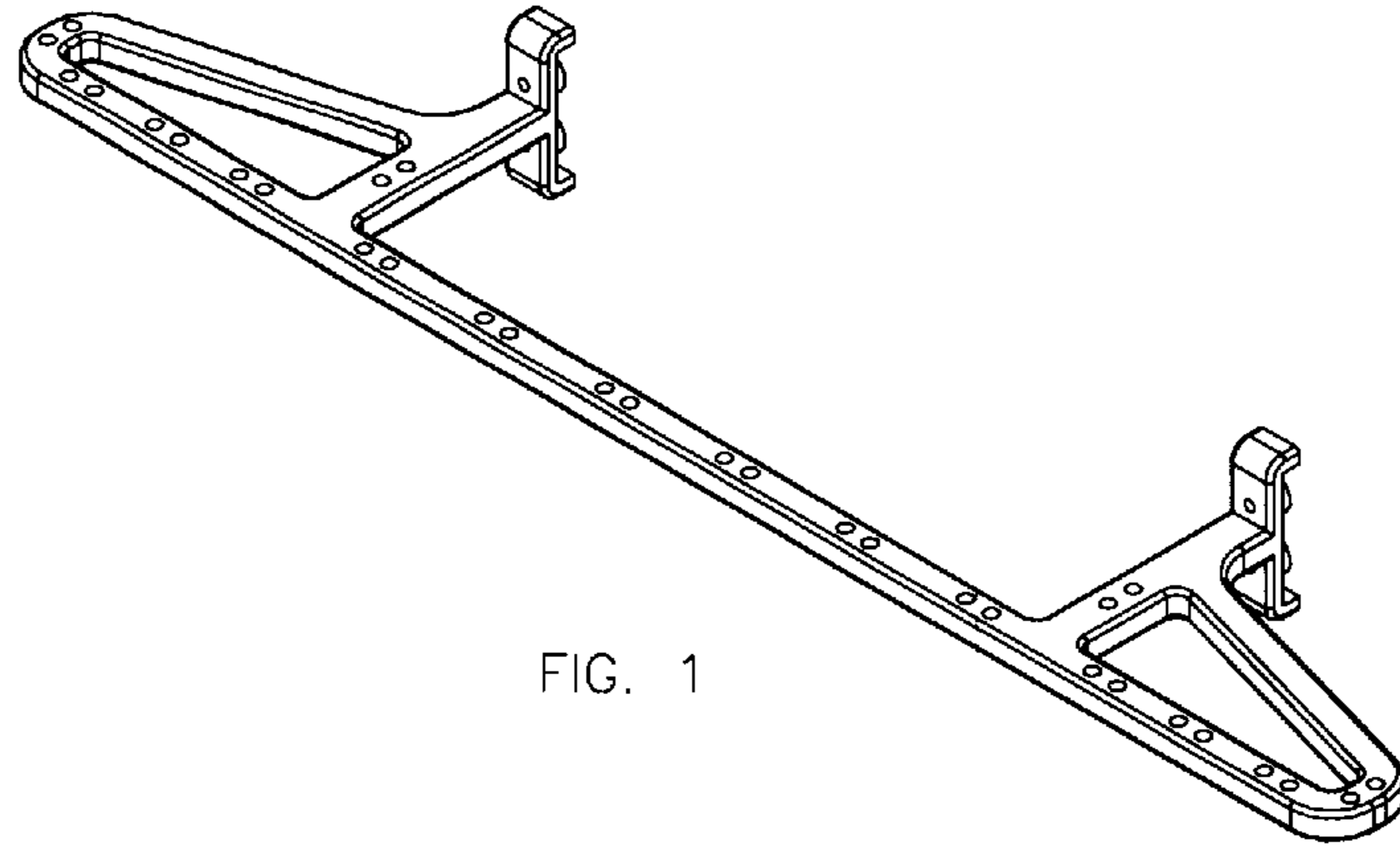


FIG. 1

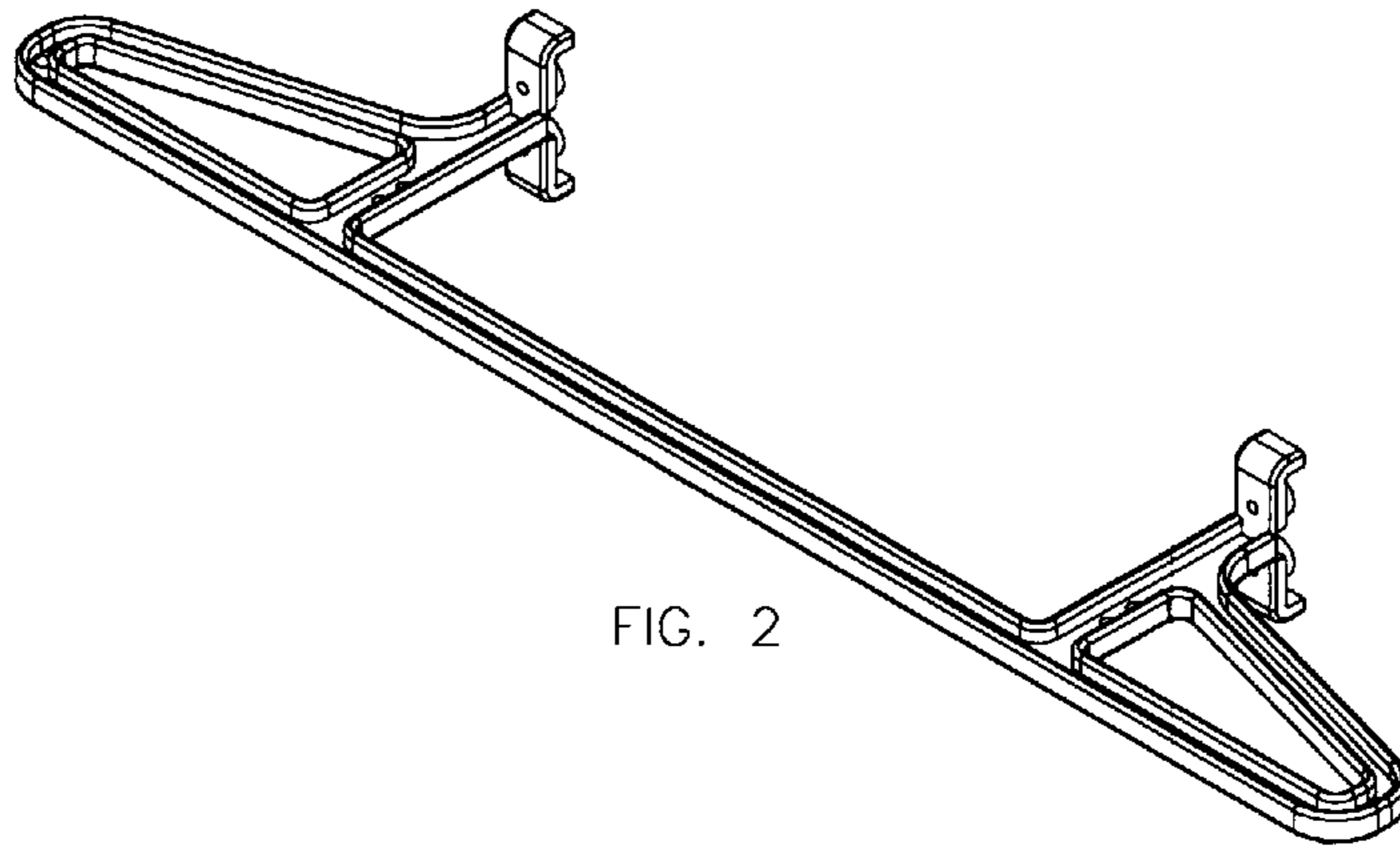


FIG. 2

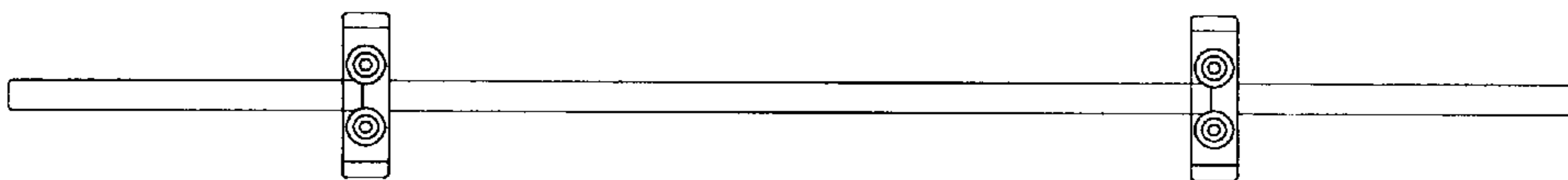


FIG. 3

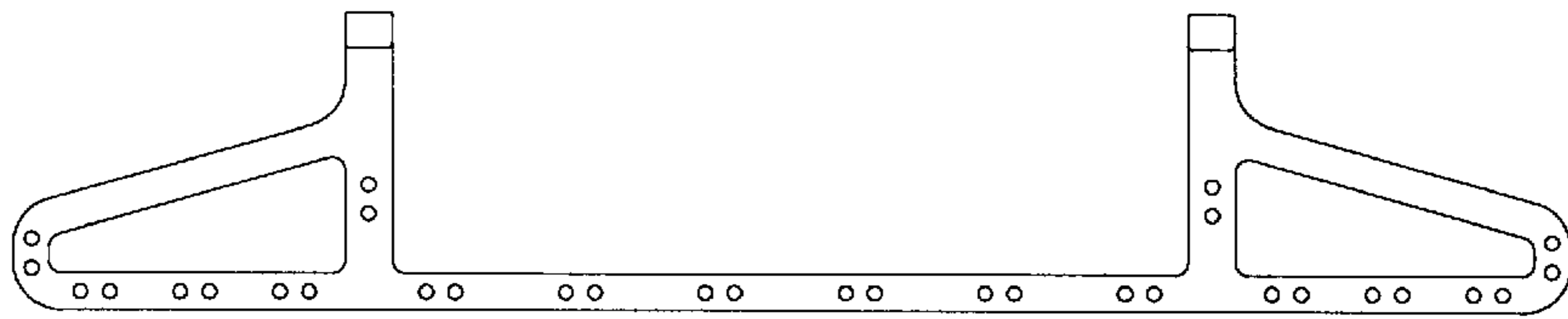


FIG. 4

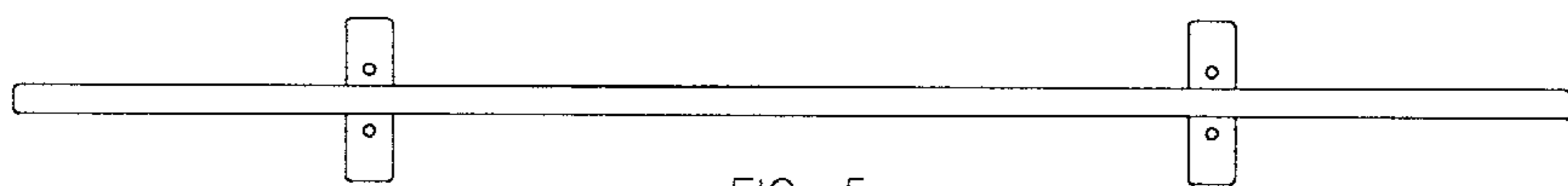


FIG. 5

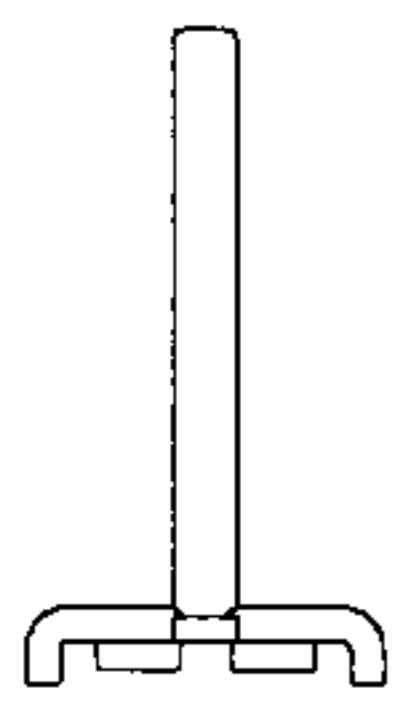


FIG. 7

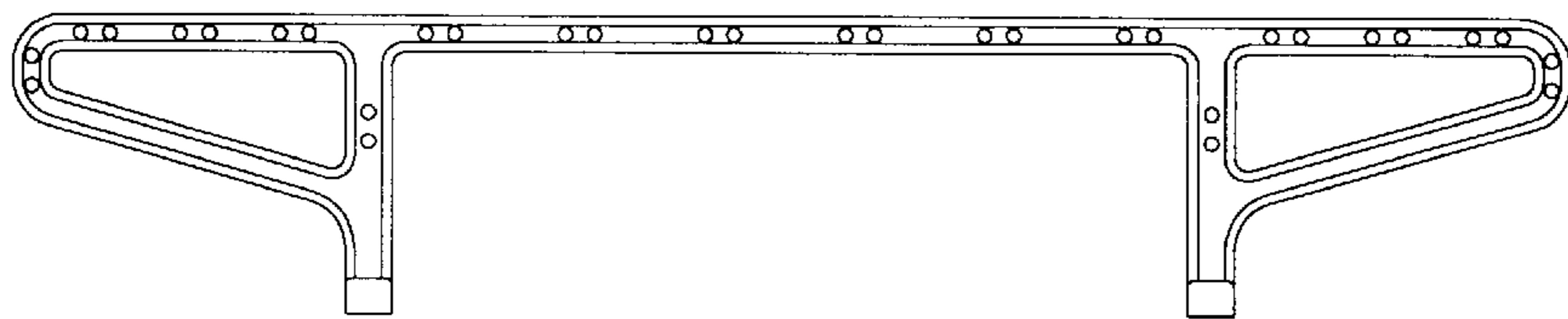


FIG. 6

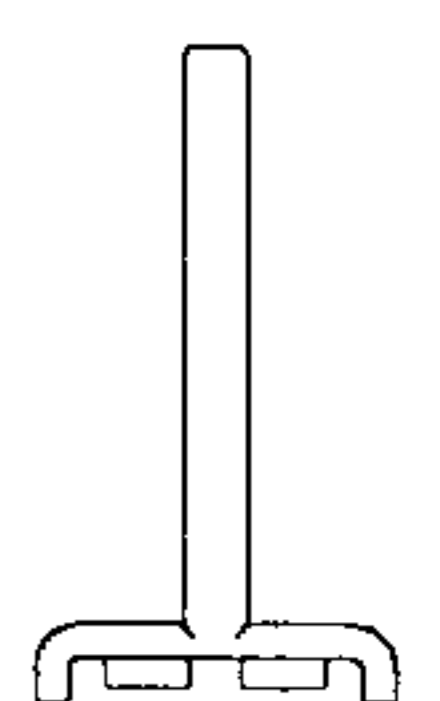


FIG. 8