



US00D403949S

United States Patent [19]
Nakamura

[11] **Patent Number: Des. 403,949**

[45] **Date of Patent: ***Jan. 12, 1999**

[54] **INSULATING BUSHING**

3,397,280 8/1968 Klumpp, Jr. 174/153 G

[75] Inventor: **Toshinobu Nakamura**, Tokyo, Japan

Primary Examiner—Joel Sincavage
Attorney, Agent, or Firm—Banner & Witcoff, Ltd.

[73] Assignee: **Shinagawa Shoko Co., Ltd.**, Tokyo, Japan

[57] **CLAIM**

[*] Notice: The term of this patent shall not extend beyond the expiration date of Pat. No. D. 392,547.

The ornamental design for an insulating bushing, as shown and described.

[**] Term: **14 Years**

DESCRIPTION

[21] Appl. No.: **60,683**

FIG. 1 is a perspective plan view of an insulating bushing embodying the present design;

[22] Filed: **Oct. 3, 1996**

FIG. 2 is a perspective bottom view thereof;

[51] **LOC (6) Cl.** **08-05**

[52] **U.S. Cl.** **D8/356**

[58] **Field of Search** D8/356; 174/152 G, 174/163 G; 248/56

FIG. 3 is a front view thereof, the rear view being identical with the front view;

FIG. 4 is a left side view thereof, the right side view being identical with the left side view;

FIG. 5 is a top plan view thereof;

FIG. 6 is a bottom view thereof; and,

FIG. 7 is a typical referential view thereof when it is used.

The broken line showing of the plate and conductors is included for the purpose of illustrating environmental structure only and forms no part of the claimed design.

[56] **References Cited**

U.S. PATENT DOCUMENTS

- D. 313,340 1/1991 Stathis et al. D8/356
- D. 392,547 3/1998 Nakamura D8/356

1 Claim, 3 Drawing Sheets

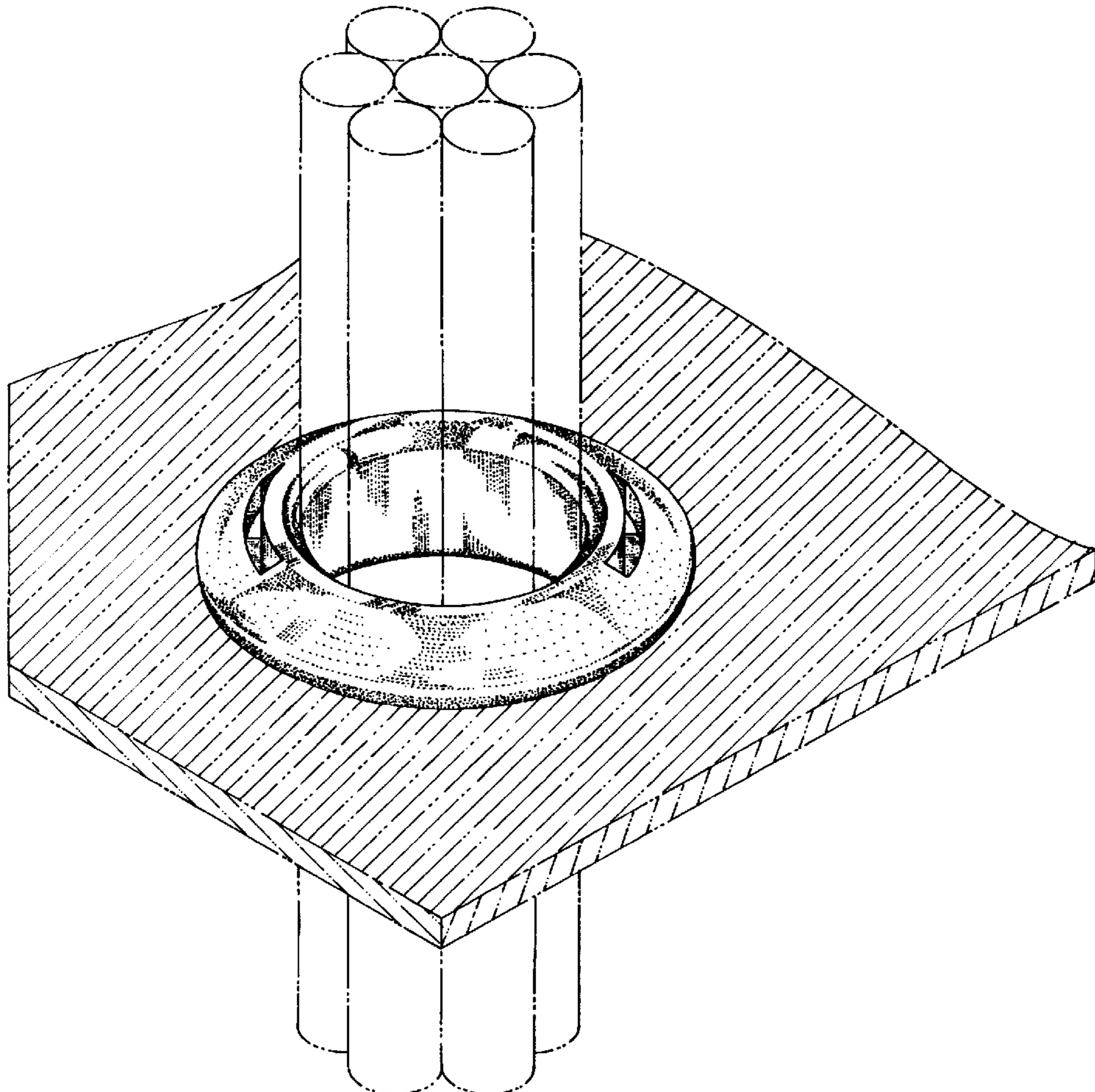


FIG. 1

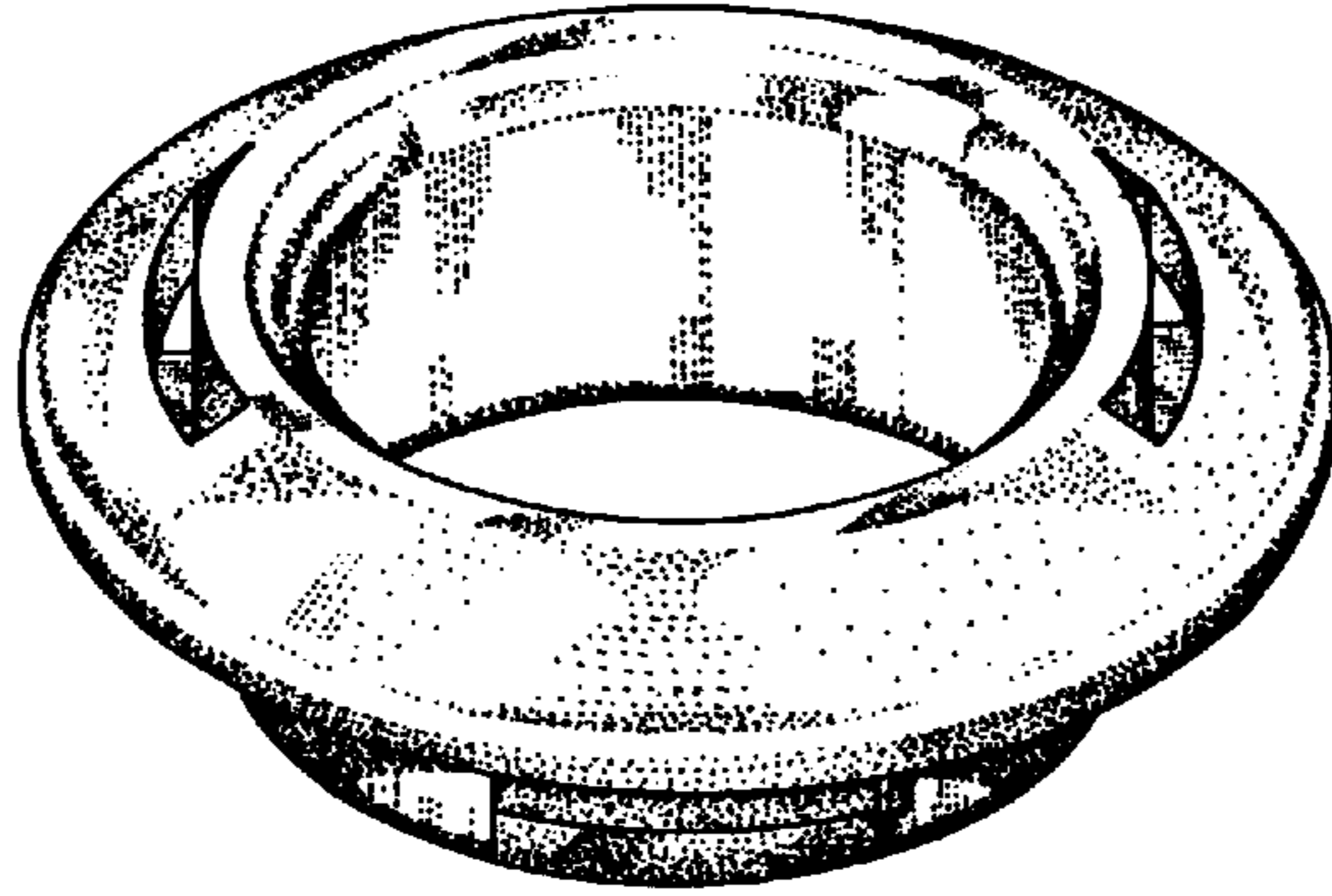


FIG. 2

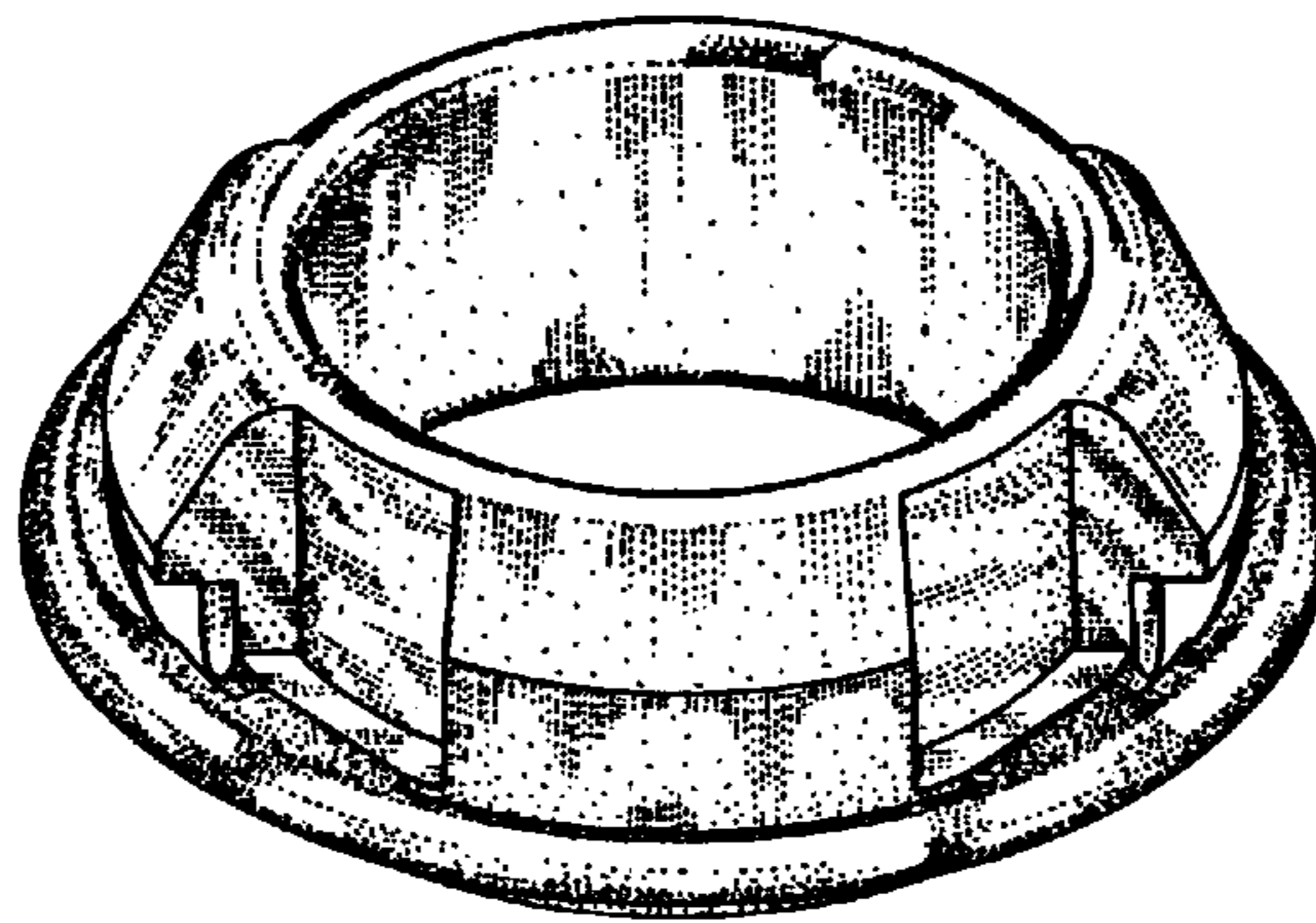


FIG. 3



FIG. 4

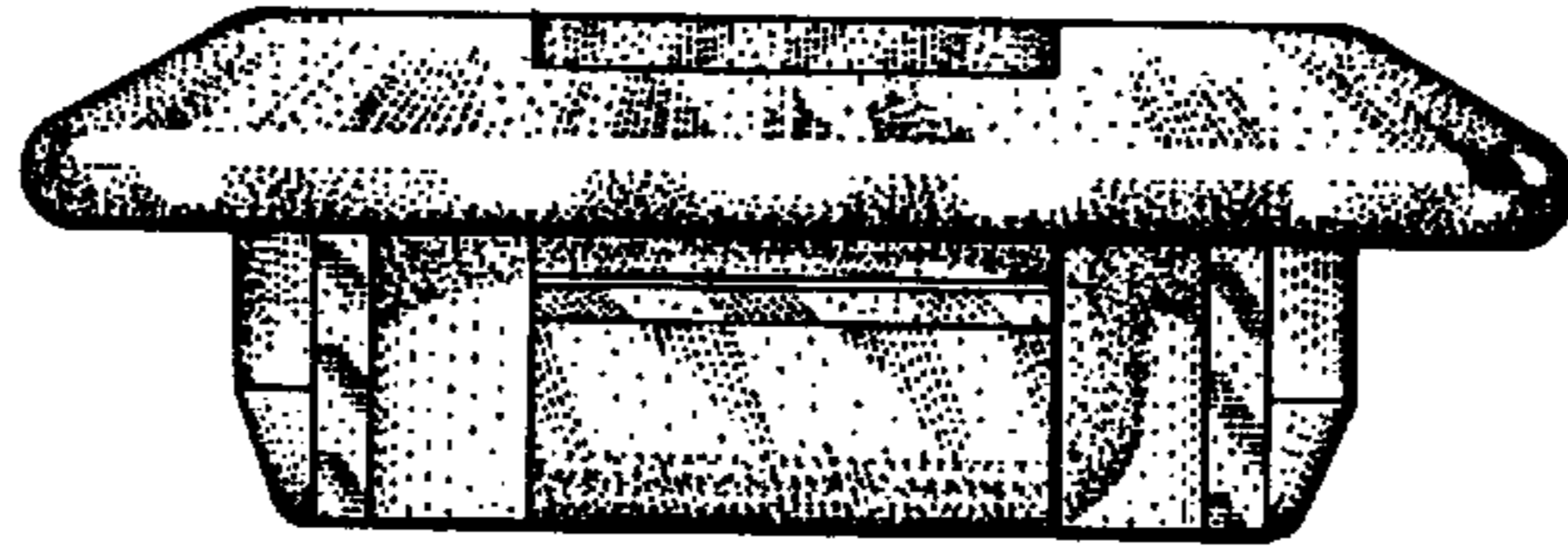


FIG. 5

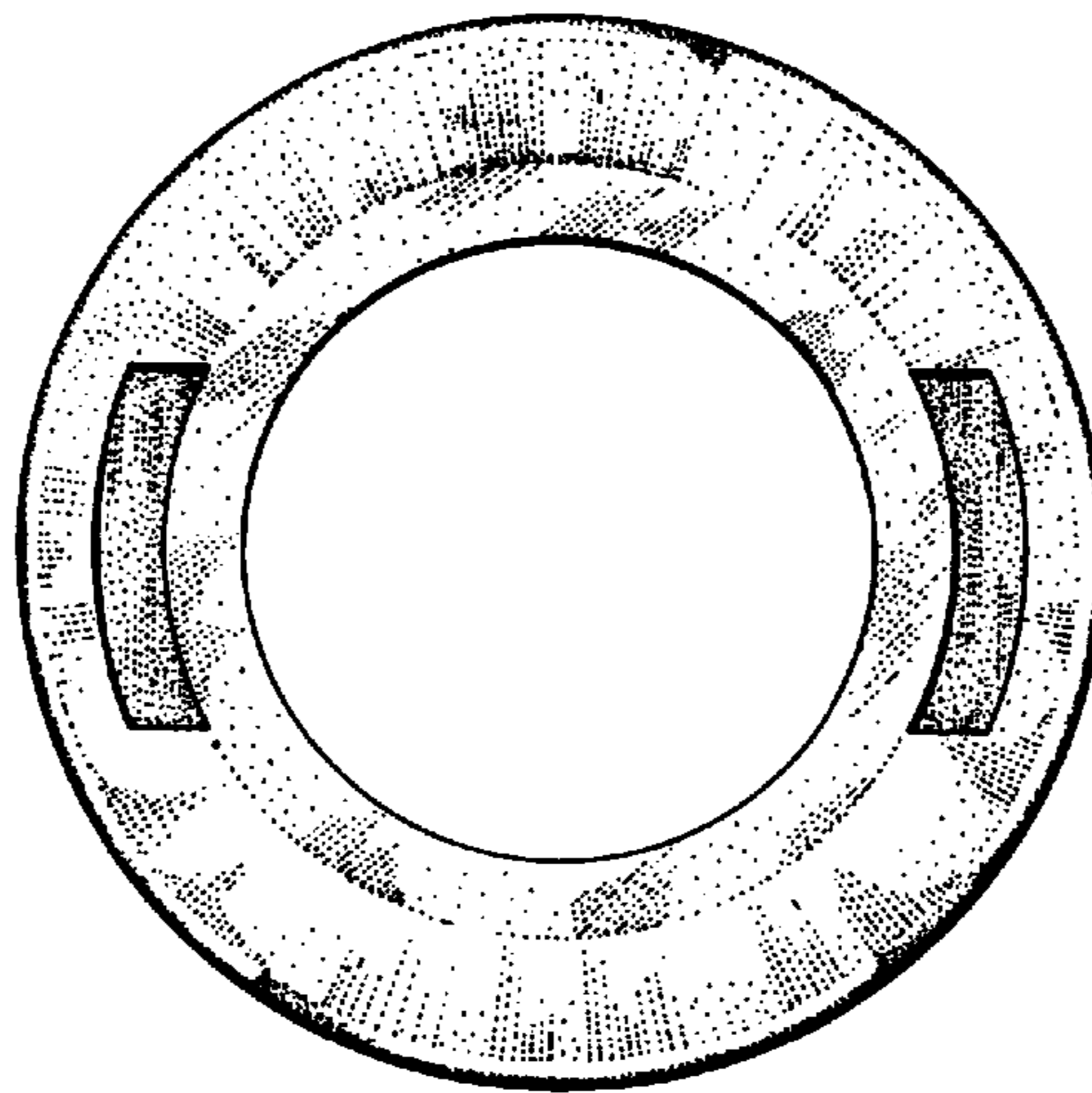


FIG. 6

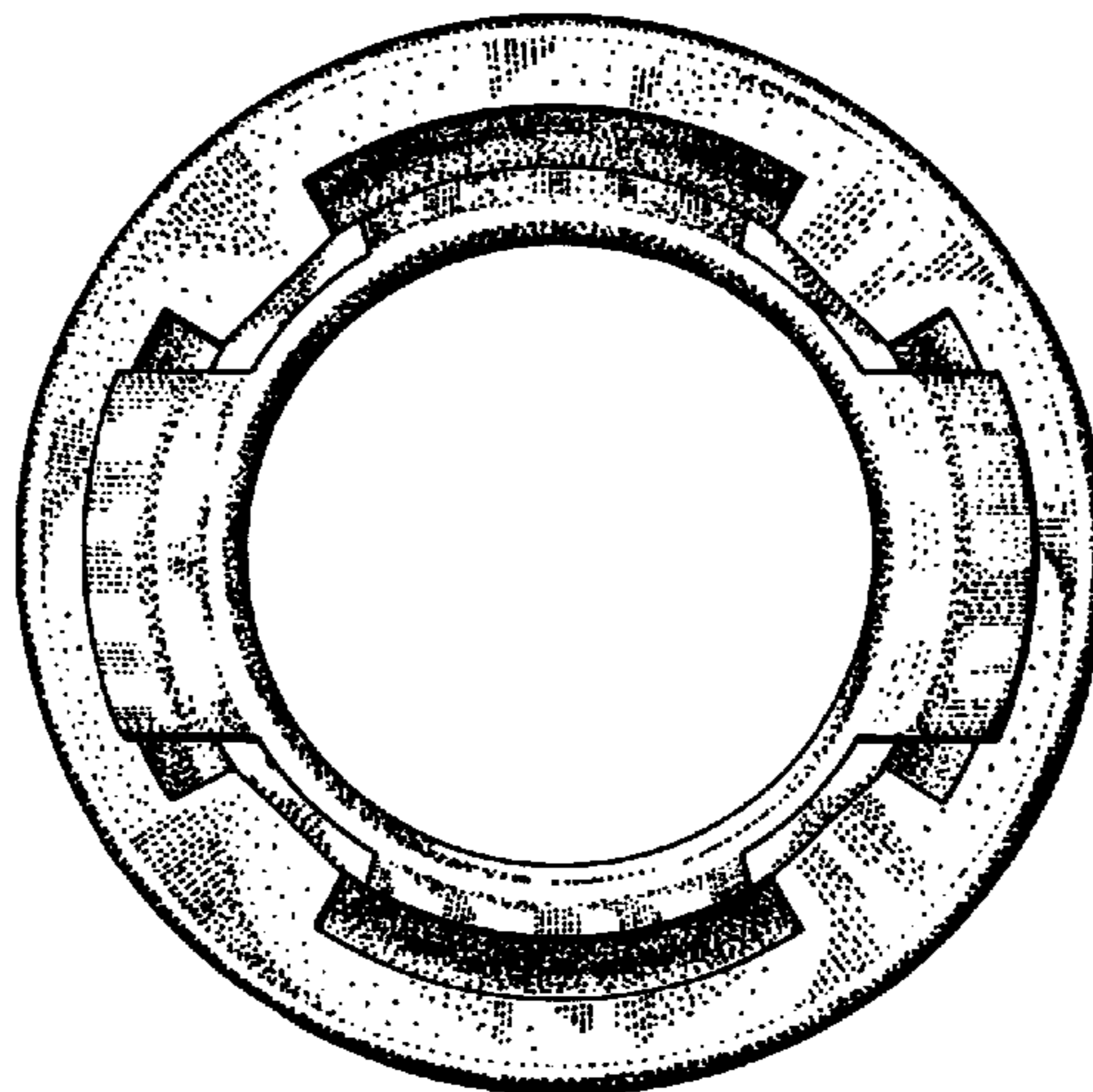


FIG. 7

