

US00D403944S

United States Patent [19] Rivera

[11] Patent Number: Des. 403,944

[45] Date of Patent: **Jan. 12, 1999

[54] **ASYMMETRIC HANDLE FOR FOLDING
SCISSORS**

5,267,366 12/1993 Frazer 7/128

[75] Inventor: **Benjamin C. Rivera**, West Linn, Oreg.

[73] Assignee: **Leatherman Tool Group, Inc.**,
Portland, Oreg.

[**] Term: **14 Years**

[21] Appl. No.: **78,052**

[22] Filed: **Oct. 16, 1997**

Related U.S. Application Data

[62] Division of Ser. No. 47,300, Nov. 29, 1995, Pat. No. Des. 385,169.

[51] **LOC (6) Cl.** **08-05**

[52] **U.S. Cl.** **D8/107; D8/52**

[58] **Field of Search** D8/52, 51, 98,
D8/5, 105; D3/18; 7/128, 129; 30/254,
255, 260, 266, 268

[56] References Cited

U.S. PATENT DOCUMENTS

D. 296,042	6/1988	Lee	D3/18
D. 303,872	10/1989	Tamamura	D3/18
310,439	1/1885	Kamak	.	
464,405	12/1891	Widmann	.	
515,828	3/1894	Hayden	.	
696,995	4/1902	Moser	.	
1,524,694	2/1925	Maio	30/255
1,828,121	10/1931	Adam et al.	.	
2,575,652	11/1951	Bovee	81/43
2,952,912	9/1960	Crawford	30/255
3,766,648	10/1973	Chundelak, Jr.	30/255
3,781,992	1/1974	Barr	30/255
4,238,862	12/1980	Leatherman	7/128
4,744,272	5/1988	Leatherman	7/129
5,062,173	11/1991	Collins et al.	7/128
5,142,721	9/1992	Sessions et al.	7/128
5,212,844	5/1993	Sessions et al.	7/128

FOREIGN PATENT DOCUMENTS

409943	5/1910	France	.
29556	4/1884	Germany	.
145784	7/1902	Germany	.
2322229	5/1974	Germany	.
521555	3/1955	Italy	.
5375	11/1882	United Kingdom	.

OTHER PUBLICATIONS

Slip 'n' Snip Collapsible Scissors, at least as early as Oct. 1994.

Leatherman Tool Group, Inc., "The Original Leatherman PST II"—Jul. 1995.

Folding Scissors, at least as early as Oct. 1994.

Primary Examiner—Philip S. Hyder

Attorney, Agent, or Firm—Chernoff, Vilhauer, McClung & Stenzel

[57] CLAIM

The ornamental design for an asymmetric handle for folding scissors, as shown and described.

DESCRIPTION

FIG. 1 is a perspective view of an asymmetric handle for folding scissors showing my new design, the handle being shown as part of a pair of folding scissors wherein the broken line showing of the blades and pivot pins and another handle are for illustrative purposes only and form no part of the claimed design;

FIG. 2 is a top plan view of the asymmetric handle shown in FIG. 1 in solid line;

FIG. 3 is a left side elevational view of the handle shown in FIG. 2;

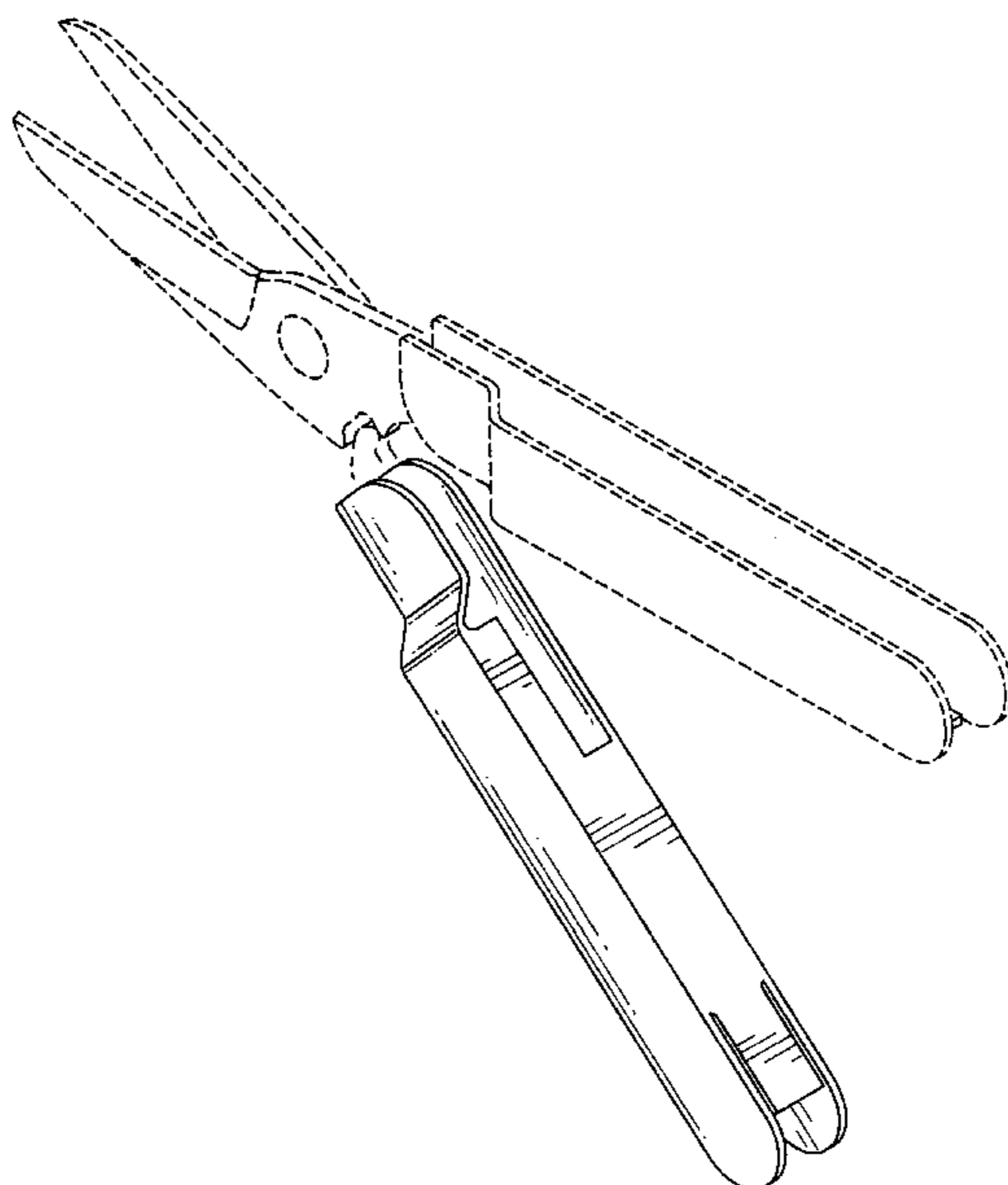
FIG. 4 is a bottom plan view thereof;

FIG. 5 is a right side elevational view thereof;

FIG. 6 is a front, or blade end elevational view thereof; and,

FIG. 7 is a rear end view thereof.

1 Claim, 2 Drawing Sheets



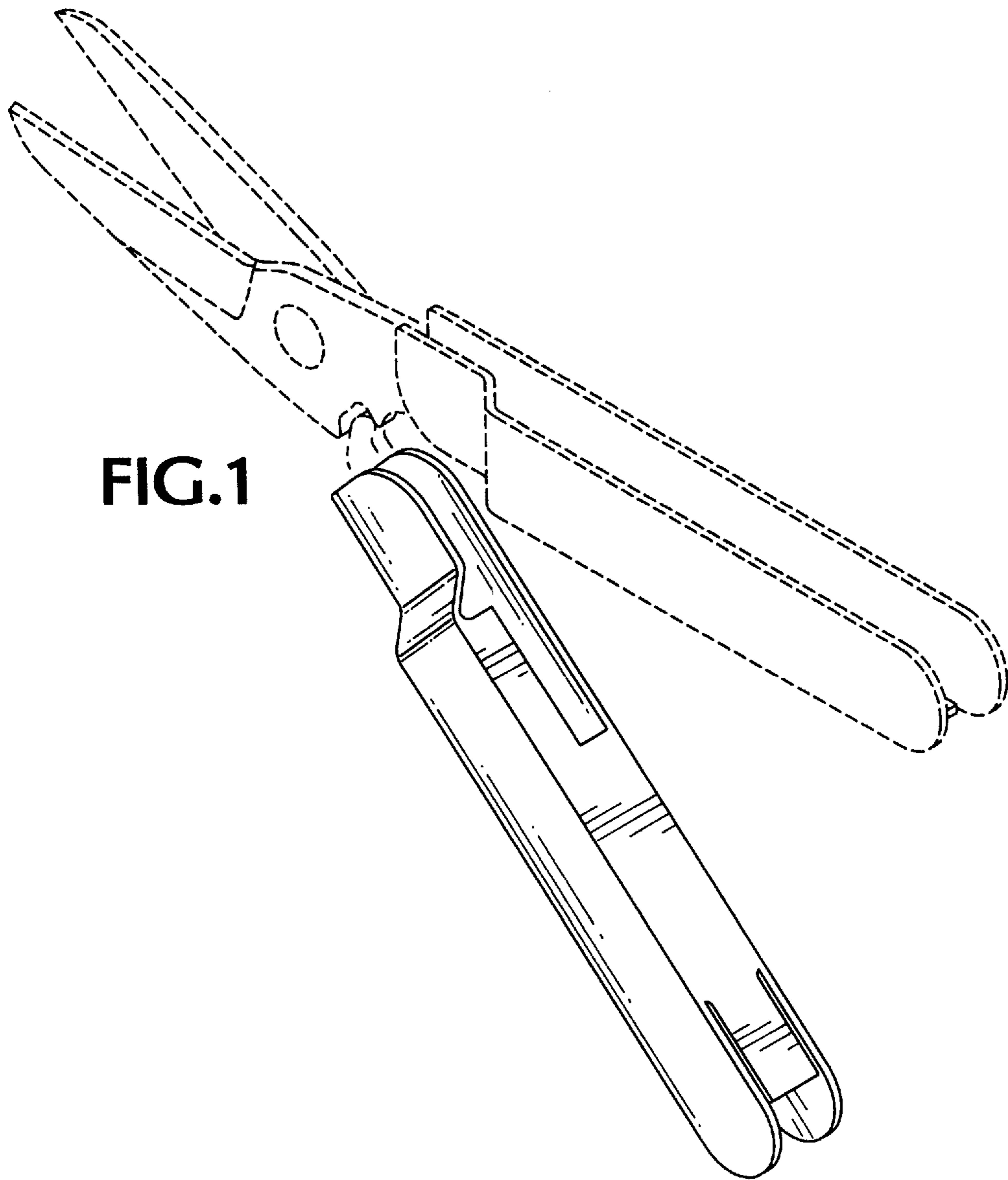


FIG. 1

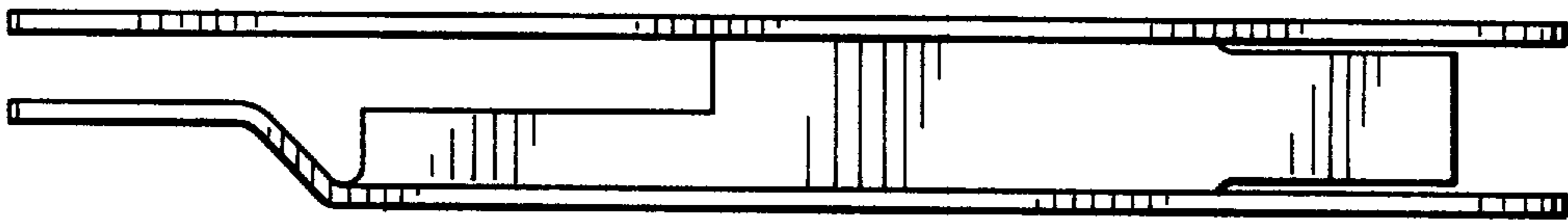


FIG. 2

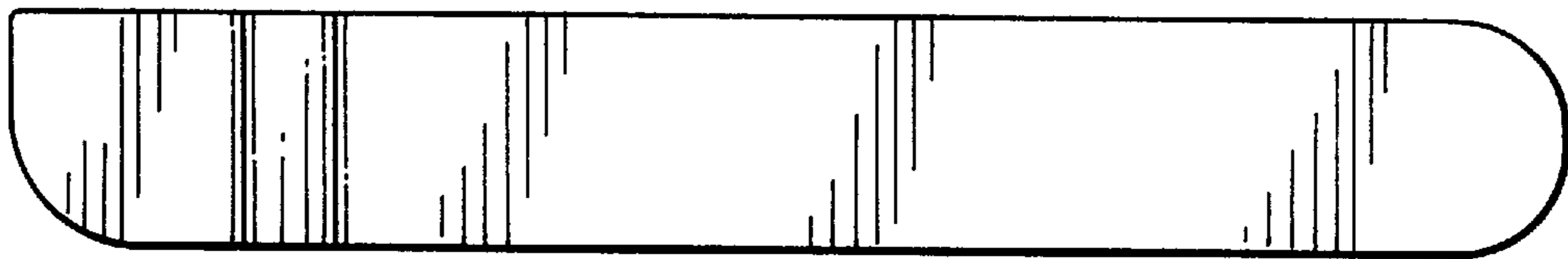


FIG. 3

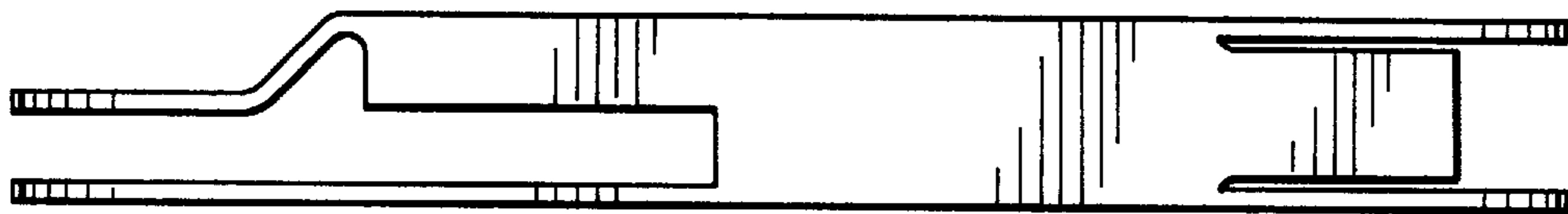


FIG. 4

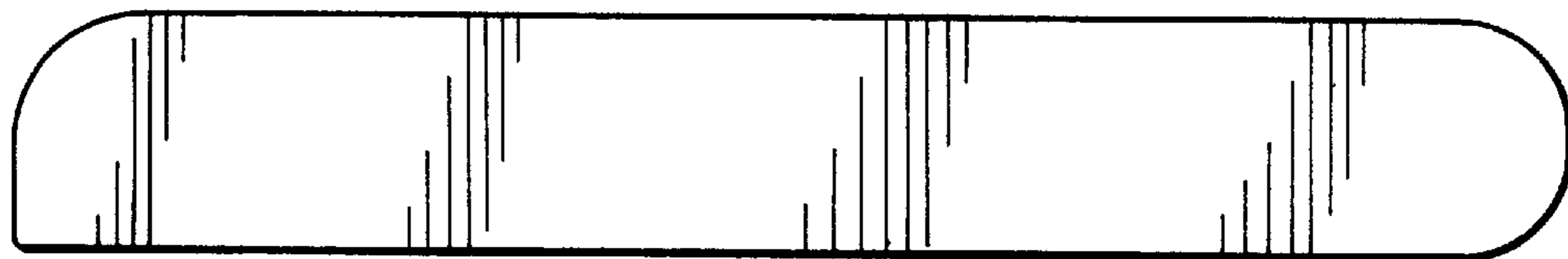


FIG. 5



FIG. 6

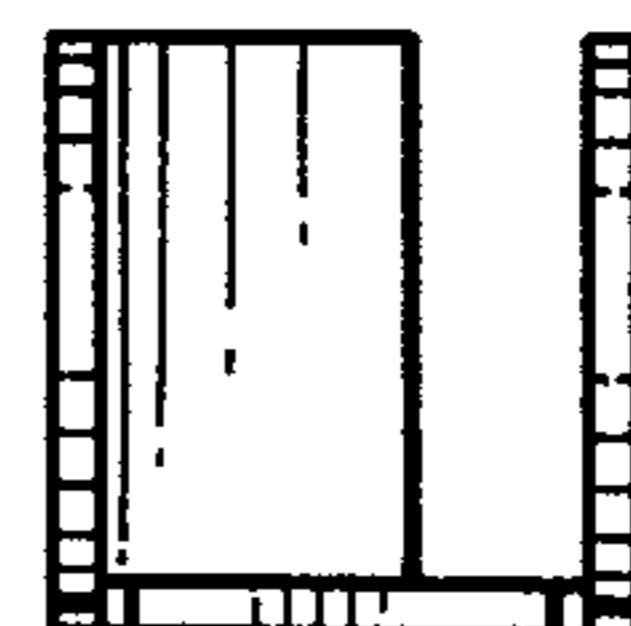


FIG. 7