



US00D403933S

United States Patent [19] Strong

[11] **Patent Number: Des. 403,933**

[45] **Date of Patent: **Jan. 12, 1999**

[54] **DISPENSING GUN**

D. 382,456 8/1997 Granville, Jr. D8/14.1 X
4,655,372 4/1987 Ross et al. 222/327 X

[75] Inventor: **Warren N. Strong**, Cranston, R.I.

[73] Assignee: **Electron Fusion Devices, Inc.**, East Providence, R.I.

Primary Examiner—Terry A. Wallace
Attorney, Agent, or Firm—Salter & Michaelson

[**] Term: **14 Years**

[57] CLAIM

The ornamental design for a dispensing gun, as shown.

[21] Appl. No.: **76,530**

DESCRIPTION

[22] Filed: **Sep. 12, 1997**

[51] **LOC (6) Cl.** **08-05**

[52] **U.S. Cl.** **D8/14.1**

[58] **Field of Search** D8/65, 14.1, 30;
222/325-327

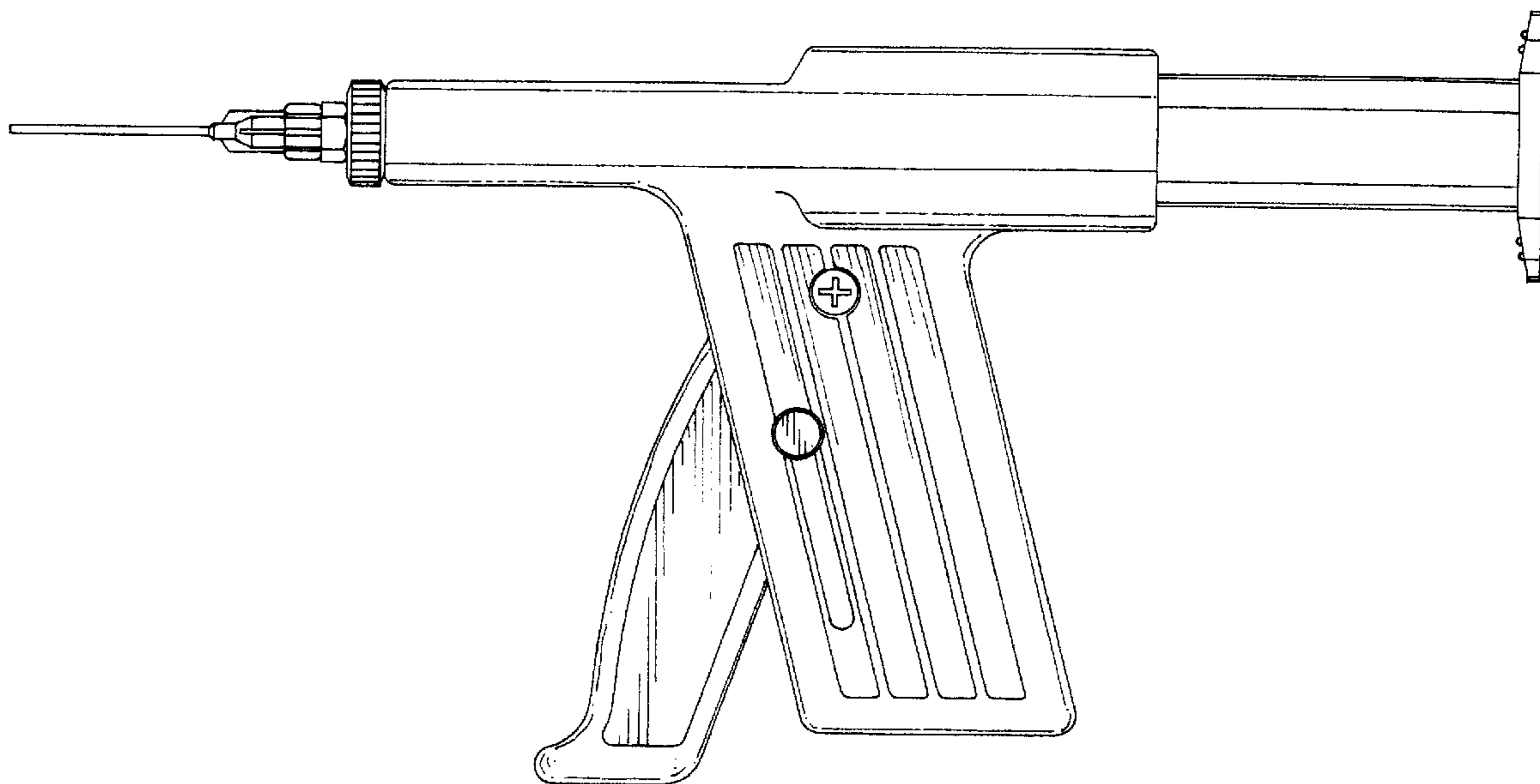
FIG. 1 is a front elevational view of a dispensing gun showing my new design;
FIG. 2 is a rear elevational view thereof;
FIG. 3 is a left elevational view thereof;
FIG. 4 is a right elevational view thereof;
FIG. 5 is a top plan view thereof; and,
FIG. 6 is a bottom plan view thereof.

[56] References Cited

U.S. PATENT DOCUMENTS

D. 368,838 4/1996 Paklaian D8/14.1

1 Claim, 3 Drawing Sheets



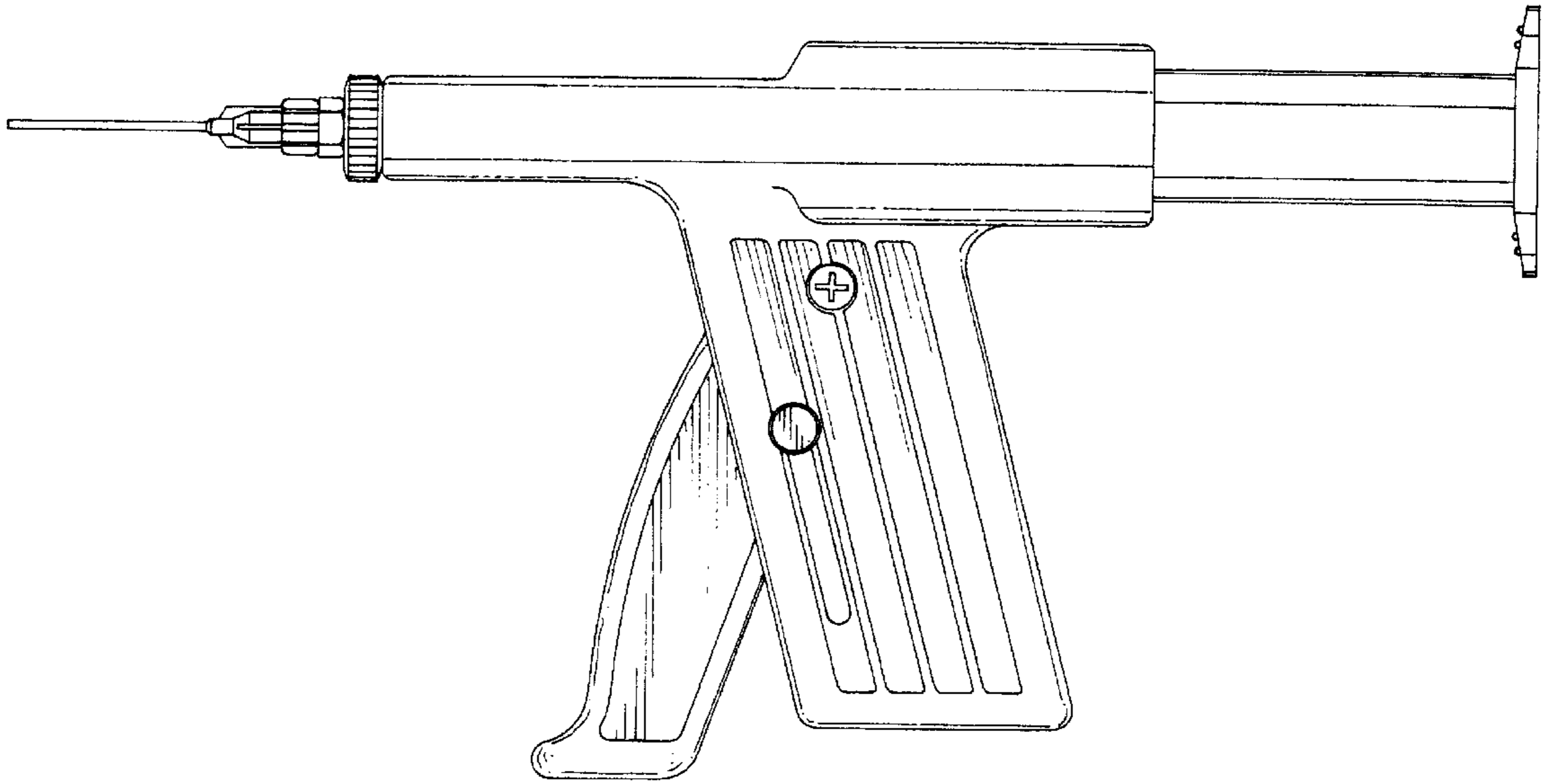


FIG. 1

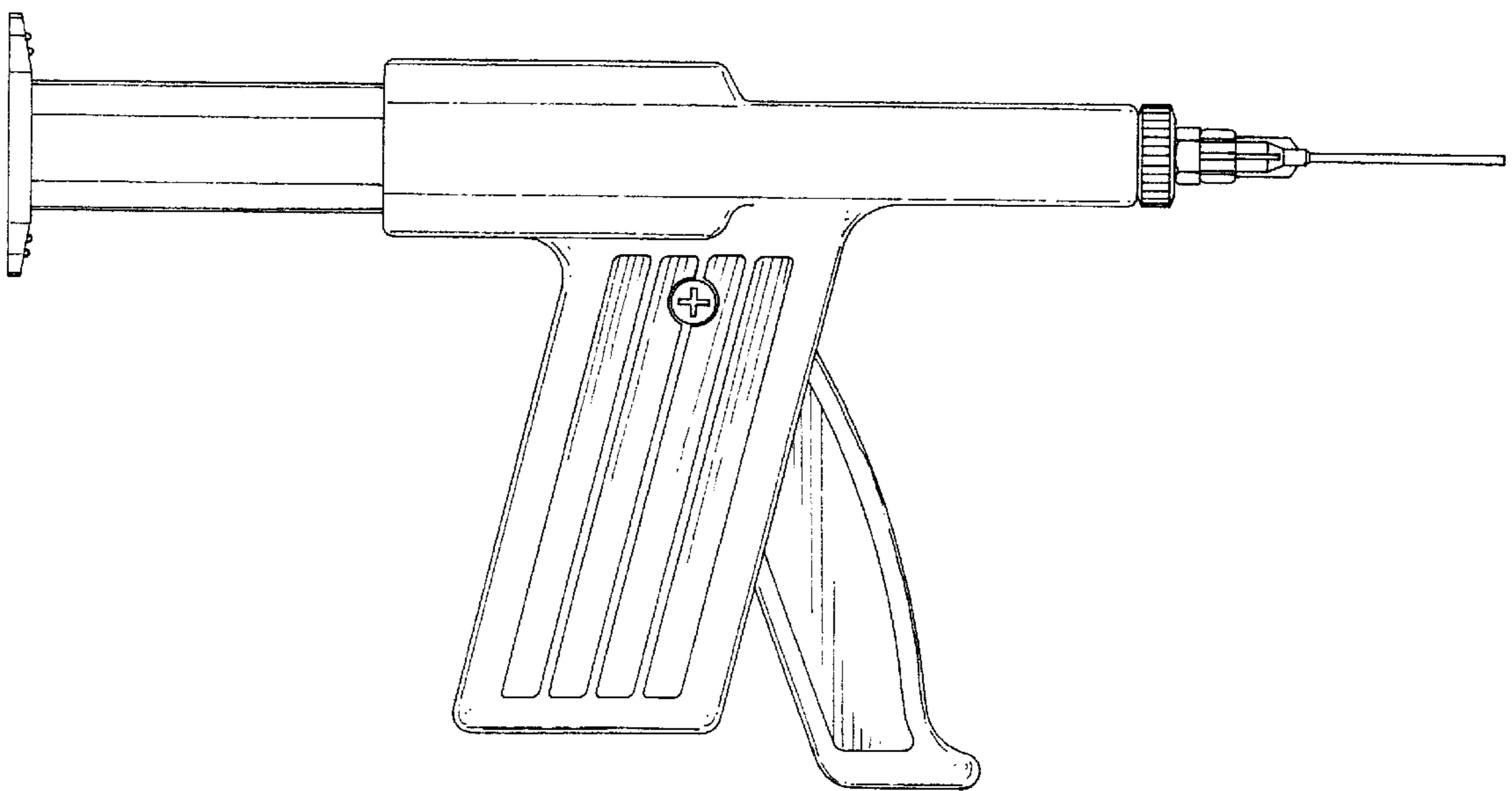


FIG. 2

FIG. 3

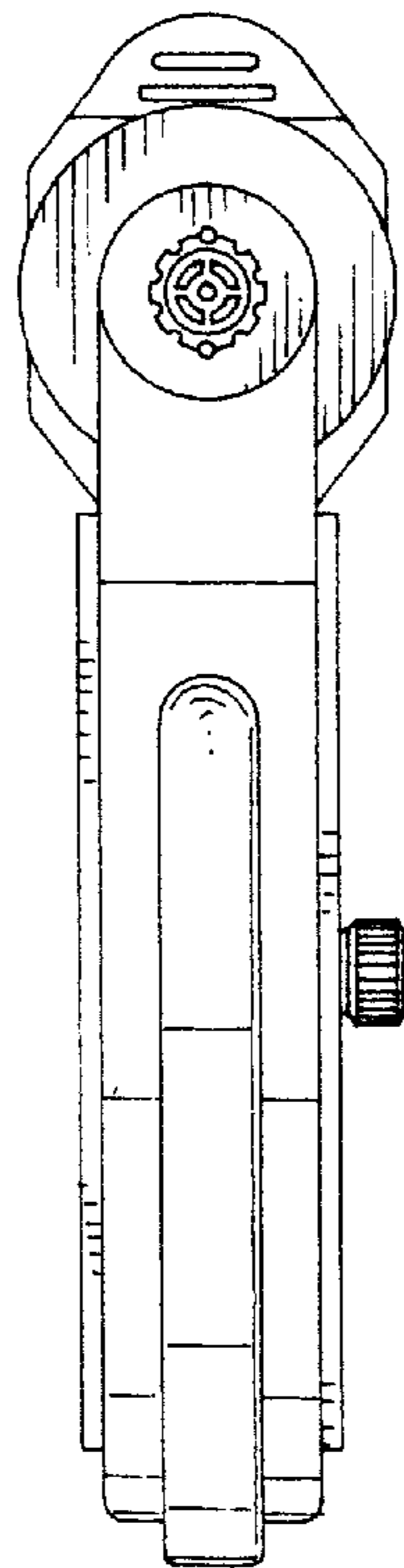
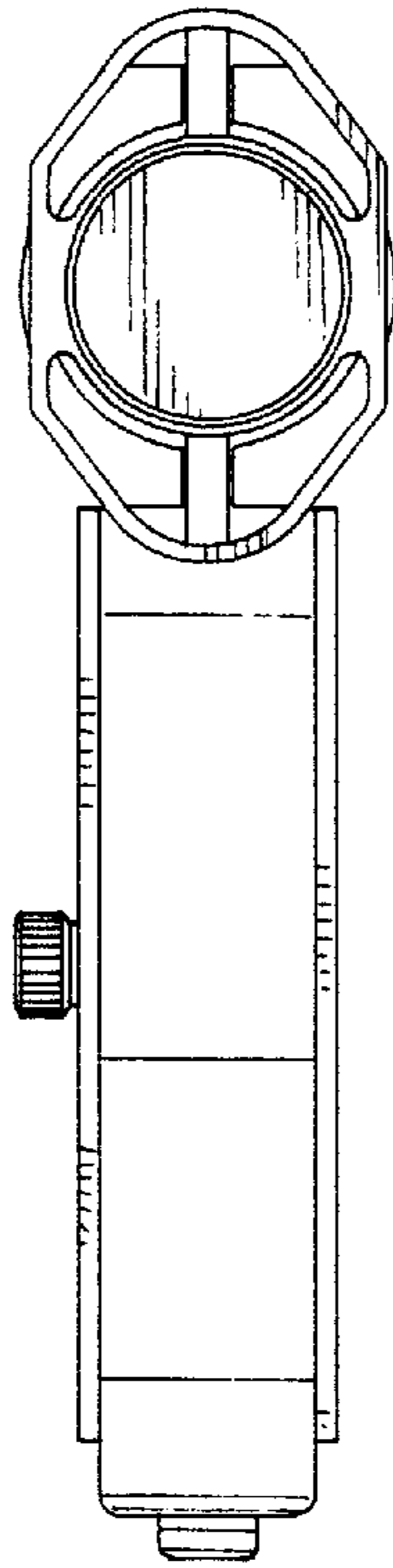


FIG. 4

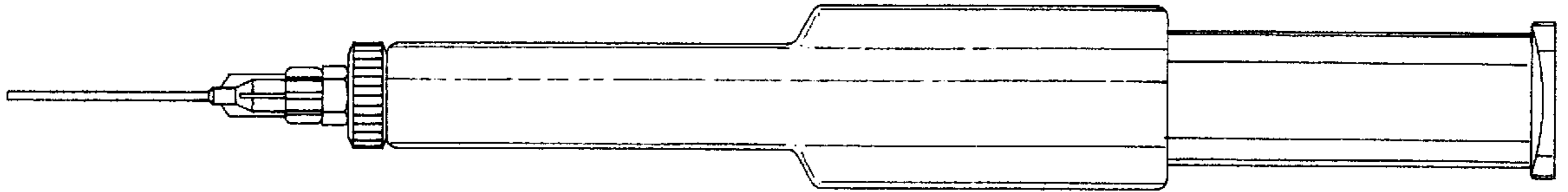


FIG. 5

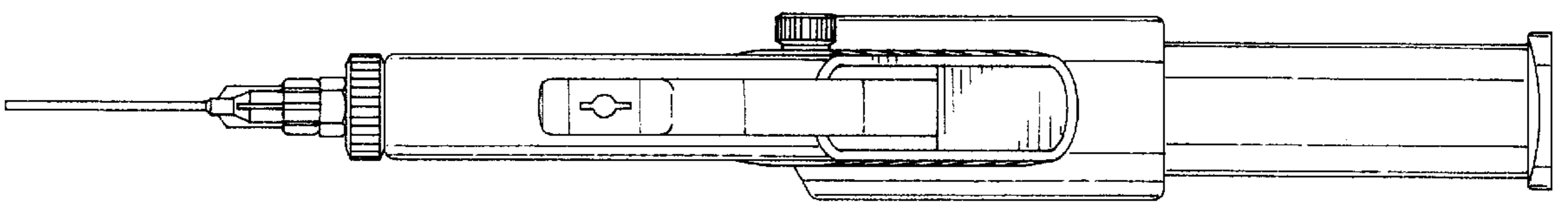


FIG. 6