



US00D403931S

United States Patent [19]
Dickhaus

[11] **Patent Number: Des. 403,931**
[45] **Date of Patent: **Jan. 12, 1999**

[54] **HANDYMAN'S TOOL**

[75] Inventor: **Reiner Dickhaus**, Murnau, Germany

[73] Assignee: **Dickhaus & Partner GmbH**,
Weilheim, Germany

[**] Term: **14 Years**

[21] Appl. No.: **69,916**

[22] Filed: **Apr. 25, 1997**

[30] **Foreign Application Priority Data**

Oct. 26, 1996 [DE] Germany 96 09 346.3

[51] **LOC (6) Cl.** **08-01**

[52] **U.S. Cl.** **D8/13**

[58] **Field of Search** D8/13; 172/171-172,
172/175-176

[56] **References Cited**

U.S. PATENT DOCUMENTS

D. 14,544 1/1884 Smith D8/13
D. 349,023 7/1994 Linden et al. D8/13

Primary Examiner—Holly Baynham
Attorney, Agent, or Firm—Browdy and Neimark

[57] **CLAIM**

The ornamental design for a handyman's tool, as shown and described.

DESCRIPTION

FIG. 1 is a perspective view of a first embodiment of a handyman's tool;

FIG. 2 is a rear elevational view thereof;

FIG. 3 is a right side elevational view thereof;

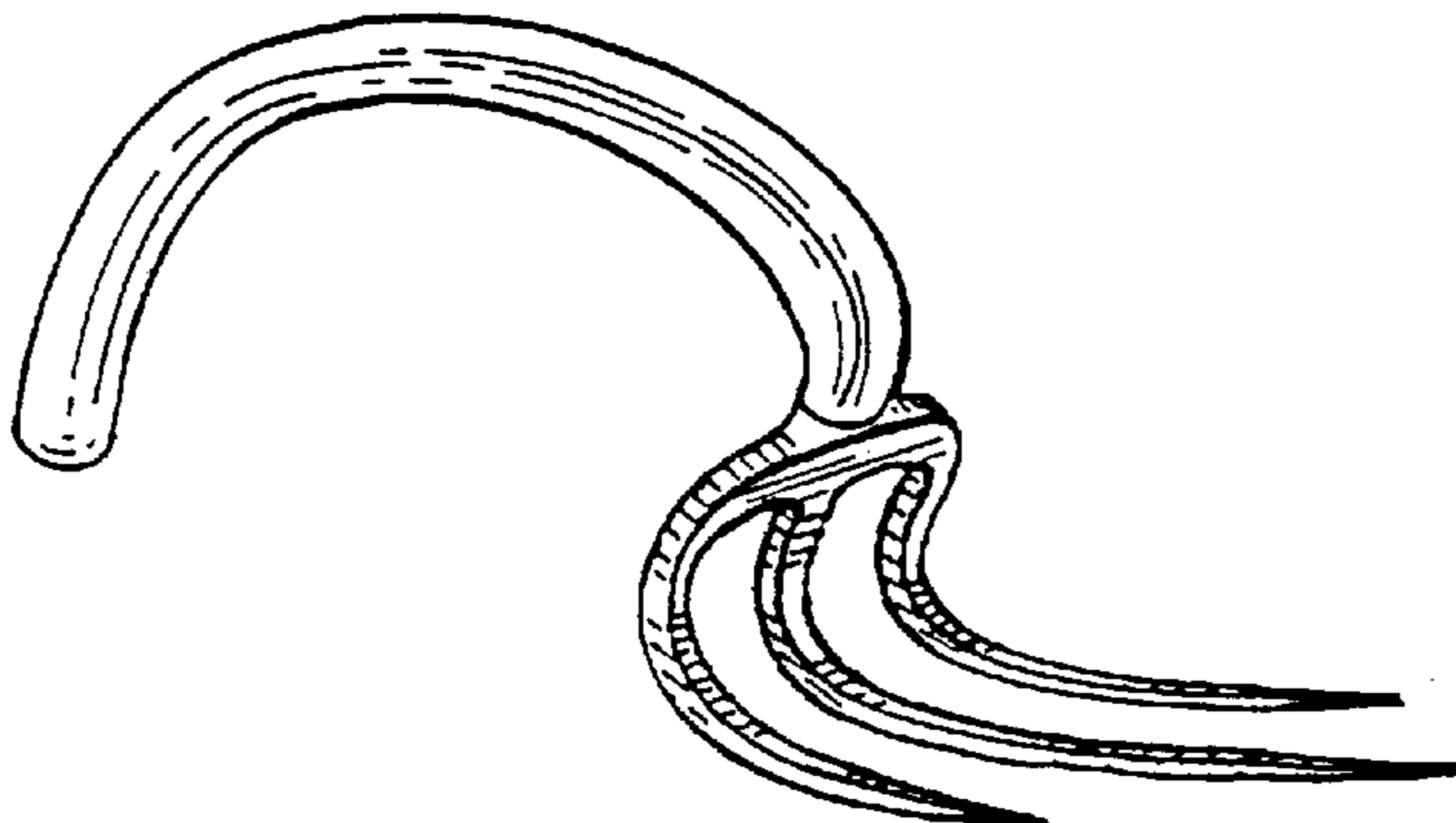
FIG. 4 is a left side elevational view thereof;

FIG. 5 is a bottom plan view thereof; and,

FIG. 6 is a front elevational view thereof.

The present design is characterized by its basic S-shape, wherein the handle of the handyman's tool has a generally inverted U-shape as best illustrated in FIGS. 3 and 4. The functional working end of the tool is not intended as part of the present ornamental design and can take various forms without departing from the present invention, except to the extent that it contributes to the overall S-shape.

1 Claim, 1 Drawing Sheet



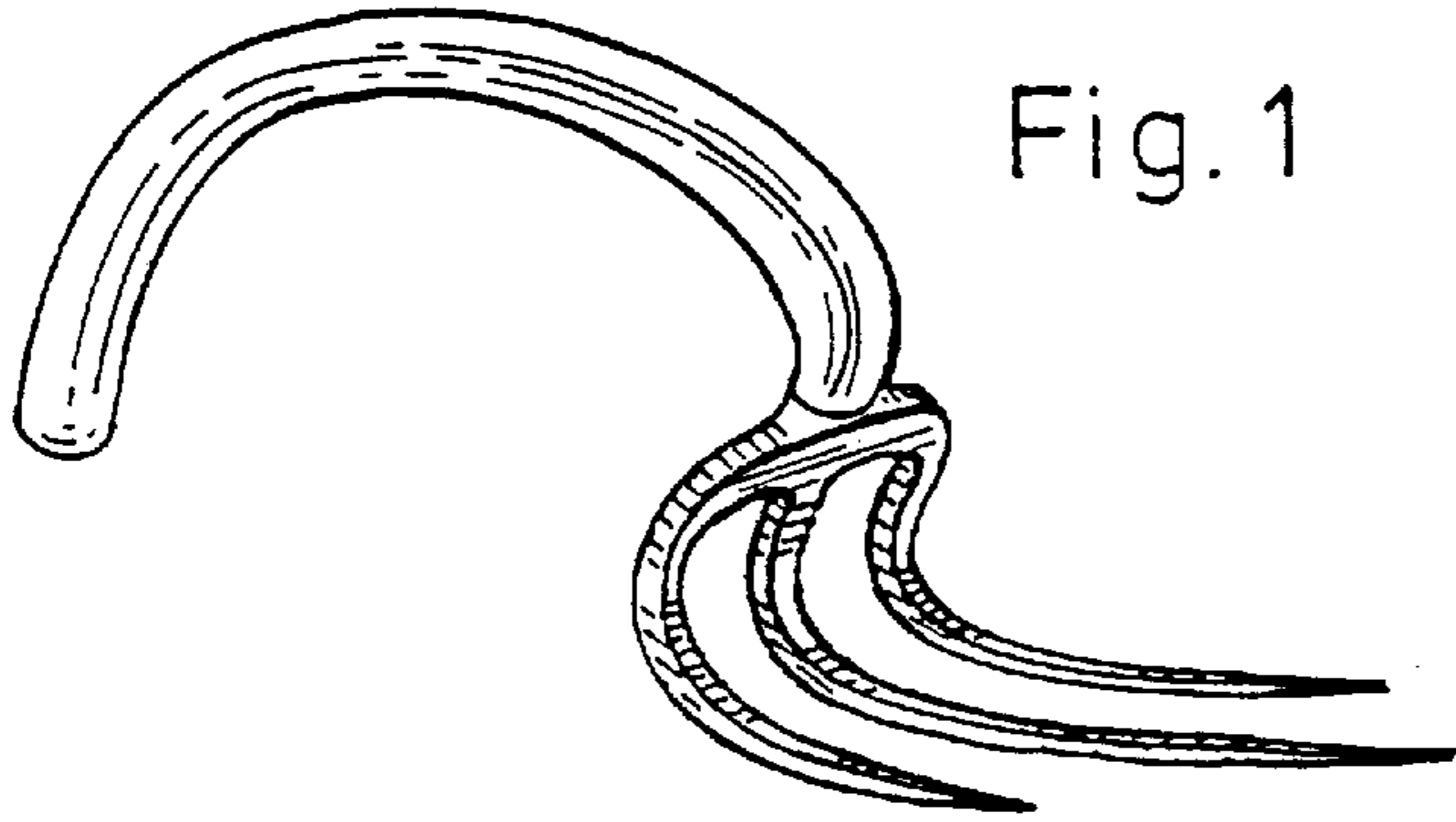


Fig. 1

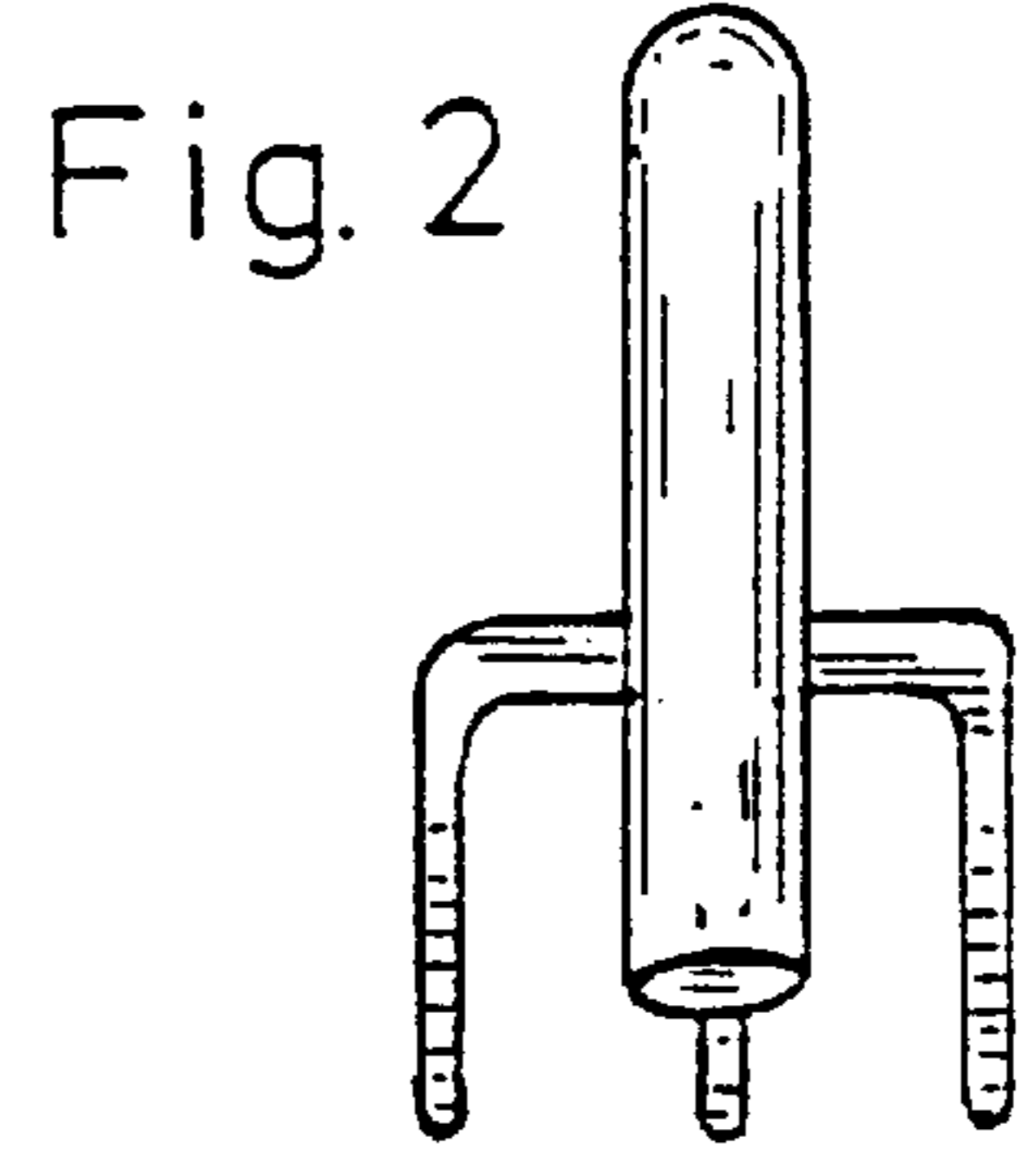


Fig. 2

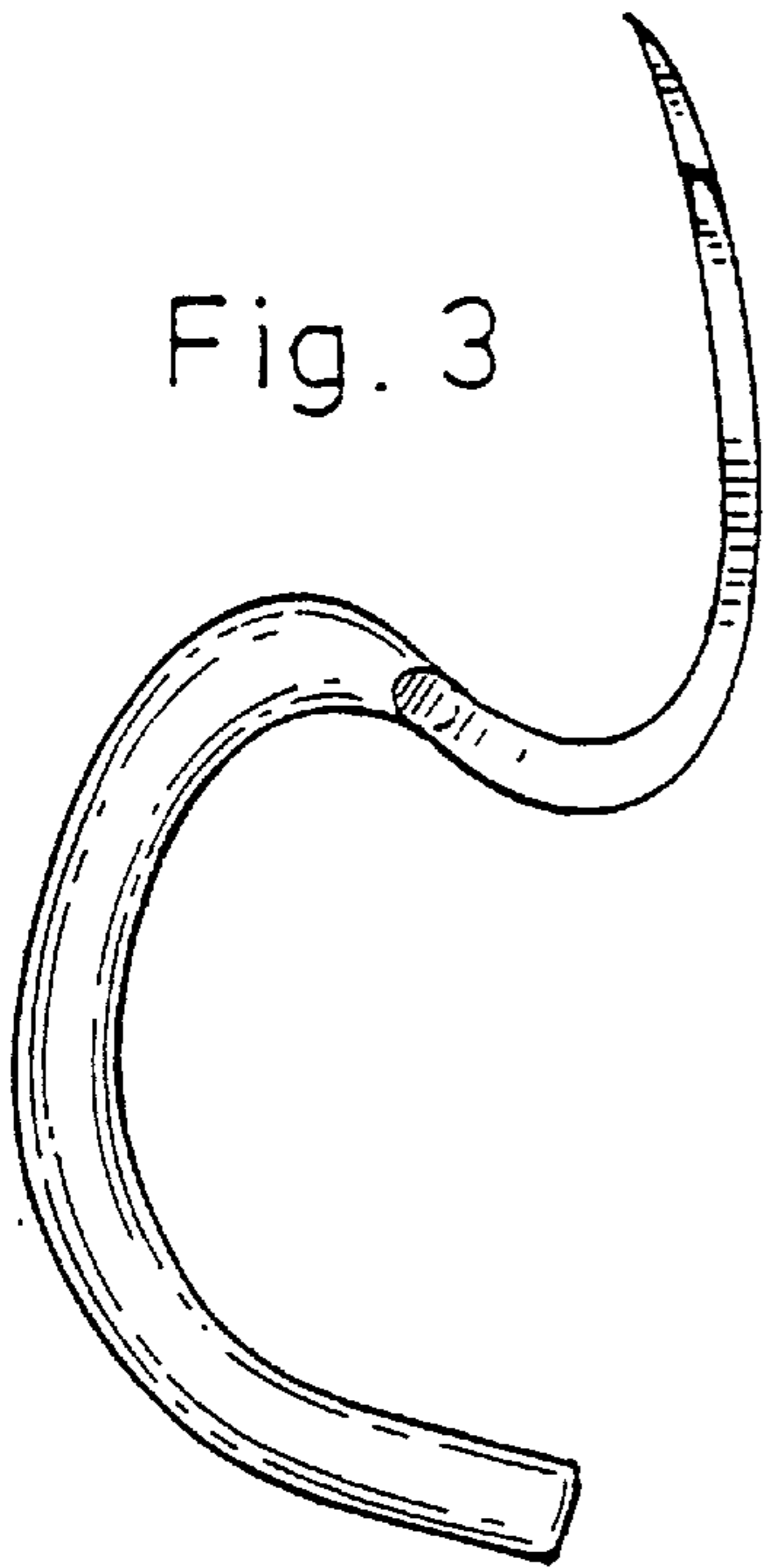


Fig. 3

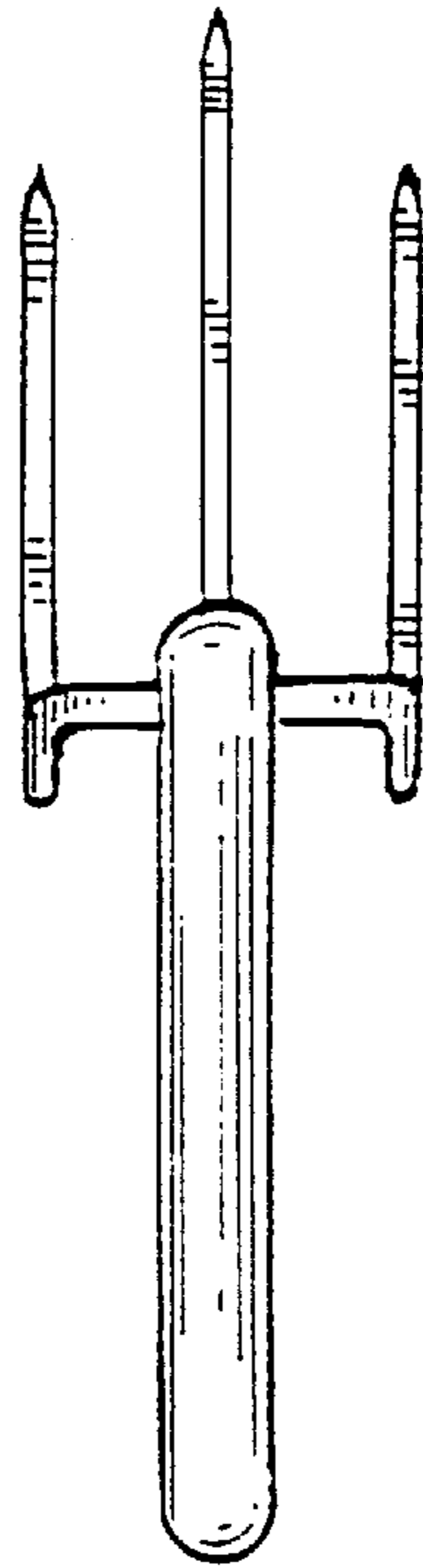


Fig. 5

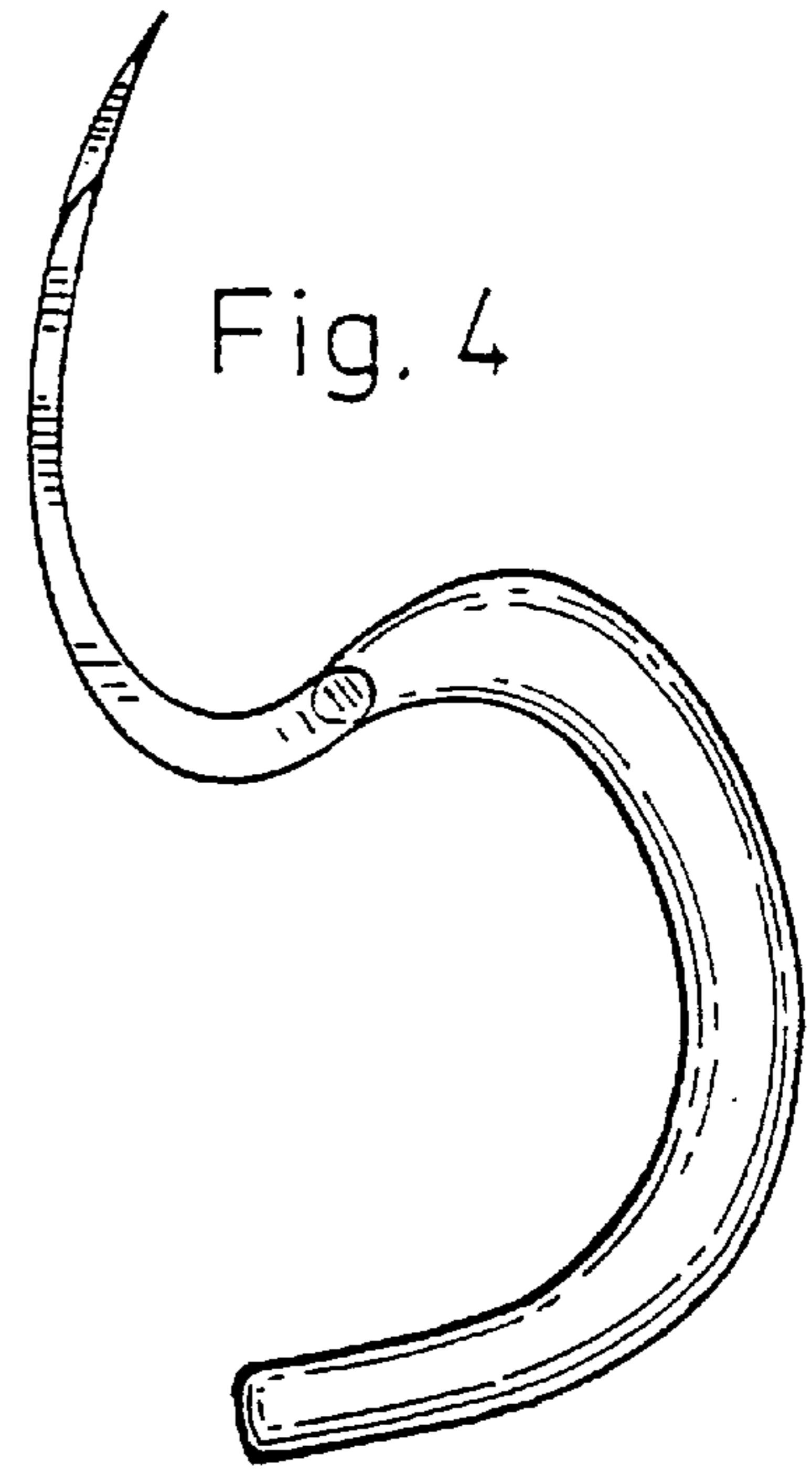


Fig. 4

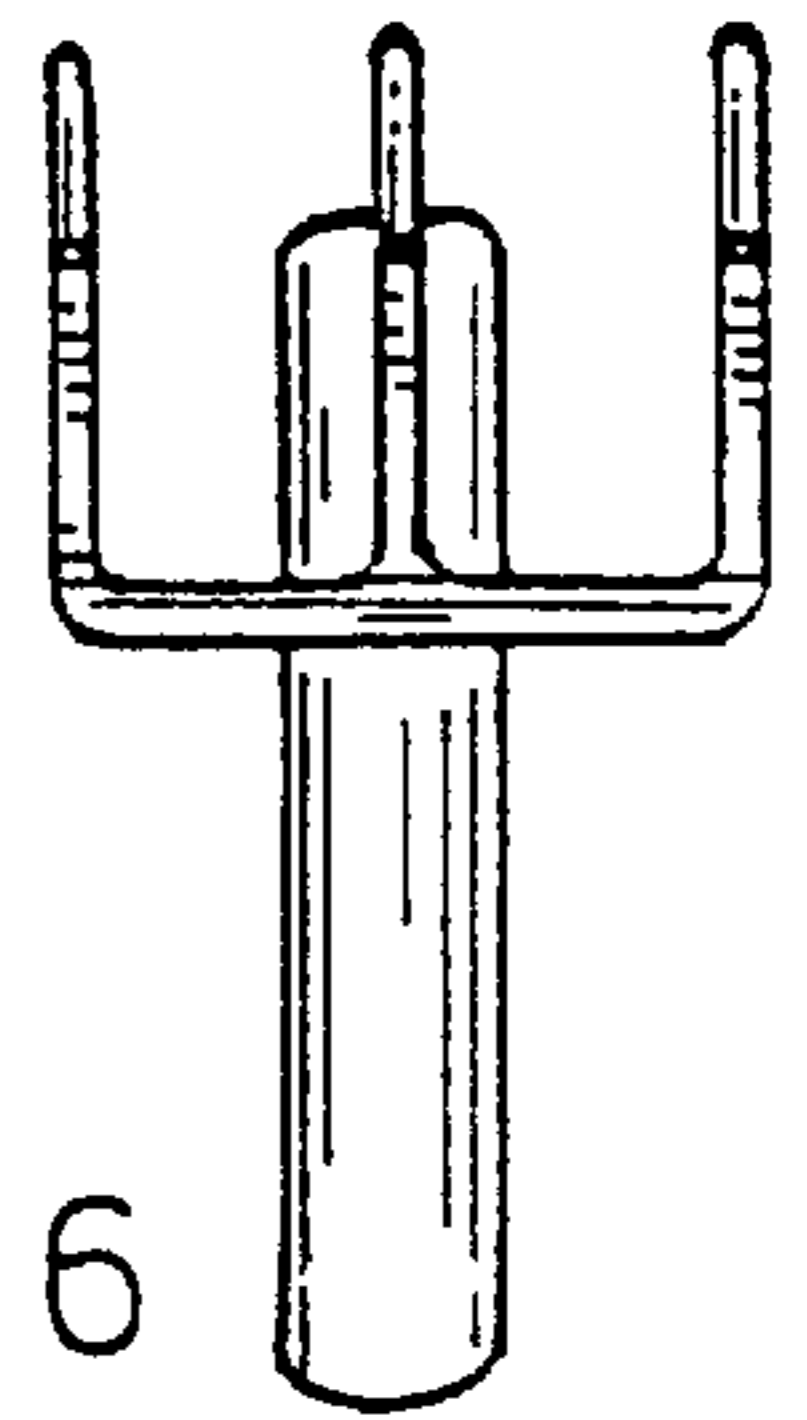


Fig. 6