



US00D403930S

United States Patent [19] Gotoh

[11] **Patent Number: Des. 403,930**

[45] **Date of Patent: **Jan. 12, 1999**

[54] **SELF-WATERING TOOL FOR PLANTS**

5,113,888 5/1992 Beggs 47/48.5
5,443,641 8/1995 Helsing et al. 47/48.5

[76] Inventor: **Yuuichi Gotoh**, 3117-8 Nishiura
Arai-cho, Owariasahi-shi Aichi-ken 488,
Japan

FOREIGN PATENT DOCUMENTS

3040560 6/1997 Japan .

[**] Term: **14 Years**

Primary Examiner—Holly Baynham
Attorney, Agent, or Firm—Knobbe, Martens, Olson & Bear,
LLP

[21] Appl. No.: **78,092**

[22] Filed: **Oct. 17, 1997**

[57] CLAIM

[51] **LOC (6) Cl.** **08-05**

The ornamental design for a self-watering tool for plants, as shown and described.

[52] **U.S. Cl.** **D8/1**

[58] **Field of Search** D8/1; D21/255;
47/47, 48.5

DESCRIPTION

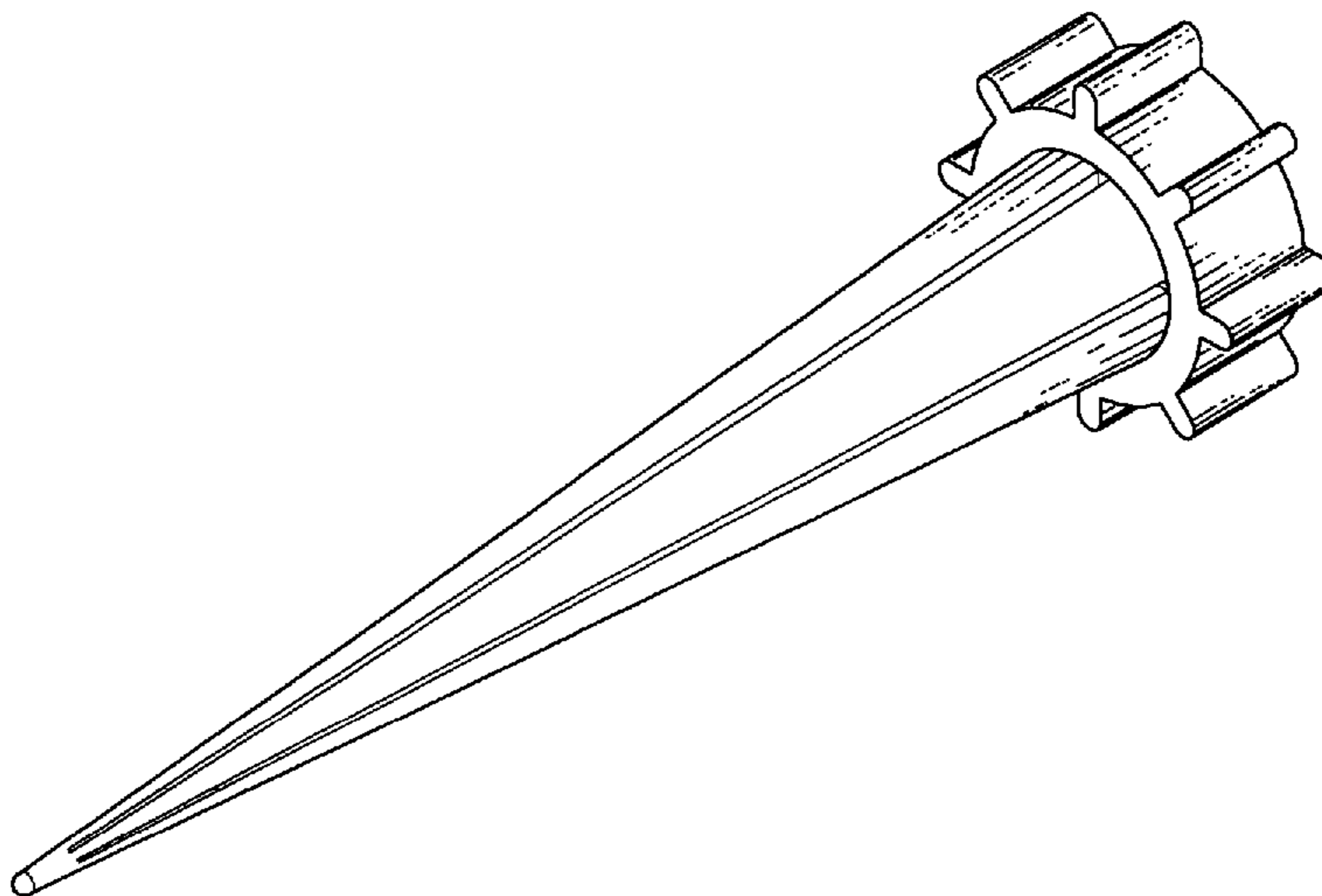
[56] References Cited

U.S. PATENT DOCUMENTS

D. 285,409	9/1986	Lemkin et al.	D8/1
D. 325,678	4/1992	Niles	D8/1
D. 340,626	10/1993	Zemen	D8/1
1,948,117	2/1934	Kadow	47/48.5
4,745,706	5/1988	Muza et al.	47/47
4,870,781	10/1989	Jones	47/48.5

FIG. 1 is a perspective view of the self-watering tool for plants of the present invention;
FIG. 2 is an end view from one end of the self-watering tool for plants of the present invention;
FIG. 3 is a side plan view of the self-watering tool for plants of the present invention; and,
FIG. 4 is an end view of the opposite end of the self-watering tool for plants of the present invention.

1 Claim, 1 Drawing Sheet



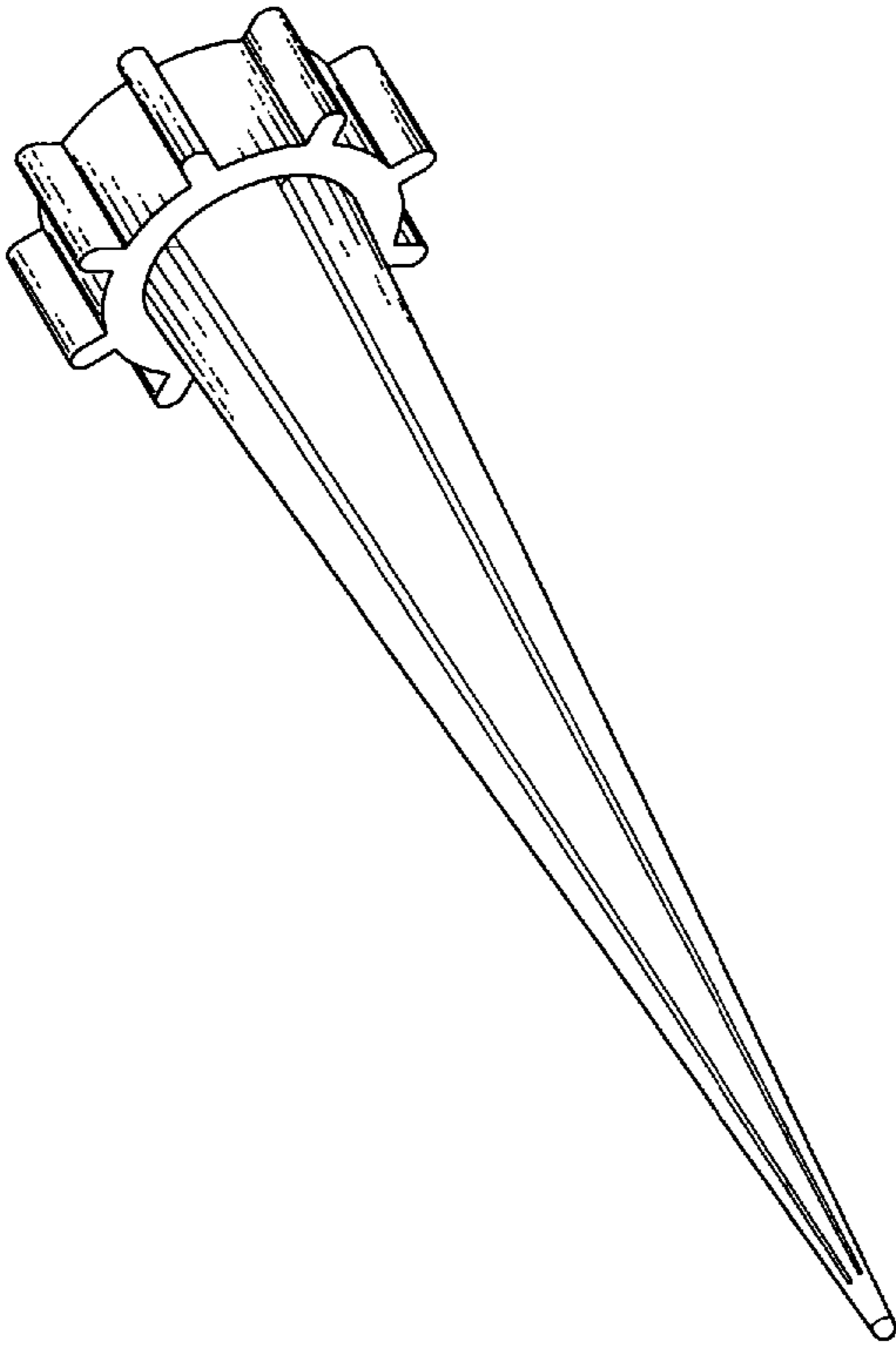


FIG. 1

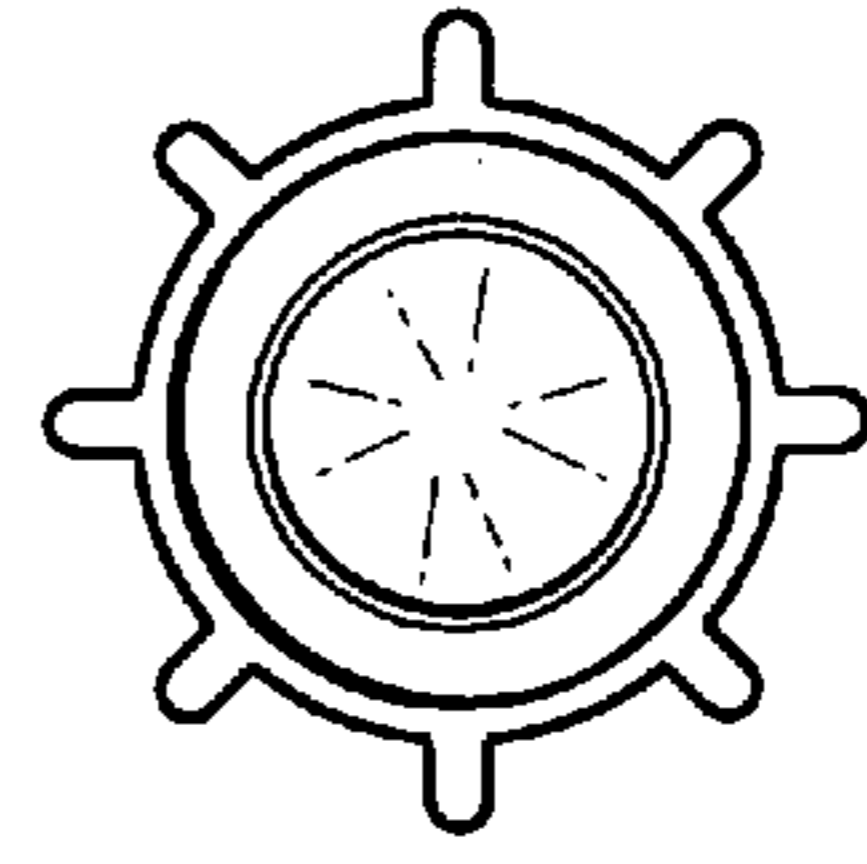


FIG. 4

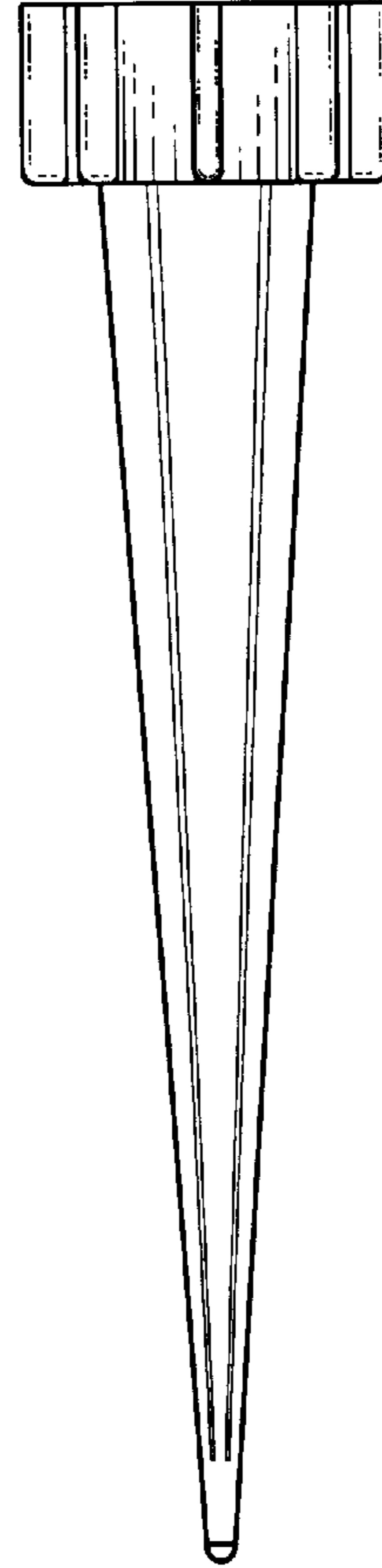


FIG. 3

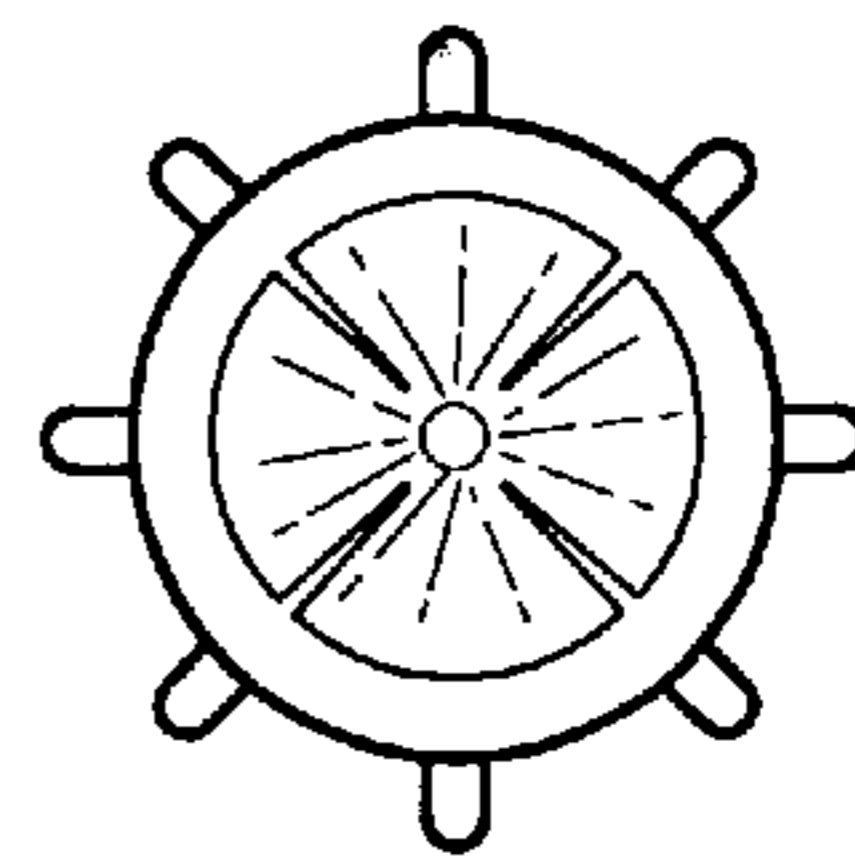


FIG. 2