



US00D403927S

United States Patent [19]

[11] **Patent Number: Des. 403,927**

Hippen et al.

[45] **Date of Patent: **Jan. 12, 1999**

[54] **STORAGE CASE FOR FOOD PROCESSOR ACCESSORIES**

Primary Examiner—Terry A. Wallace
Attorney, Agent, or Firm—Barry E. Deutsch

[76] Inventors: **Jan Hippen**, 1640 SE. 59th Ave.,
Portland, Oreg. 97215; **Iulius Lucaci**,
1215 S. Forum Ct., Apt. 3a, Wheeling,
Ill. 60090; **Angelika I. Schubert-Belle**,
3415 NE. 40TH St., Portland, Oreg.
97212

[57] **CLAIM**

The ornamental design for storage case for food processor accessories, as shown and described.

[**] Term: **14 Years**

DESCRIPTION

[21] Appl. No.: **72,844**

FIG. 1 is a perspective view of a storage case for food processor accessories showing our new design;
FIG. 2 is a front elevation view thereof;
FIG. 3 is a rear elevation view thereof;
FIG. 4 is a right side elevation view thereof, the opposite side being a mirror image;
FIG. 5 is a top plan view thereof;
FIG. 6 is a bottom plan view thereof;
FIG. 7 is a perspective view of an alternate embodiment of FIG. 1;
FIG. 8 is a rear elevation view of FIG. 7;
FIG. 9 is a right side elevation view of FIG. 7, the opposite side being a mirror image;
FIG. 10 is a cross-section view thereof taken along line 10—10 of FIG. 5;
FIG. 11 is a cross-section view thereof taken along line 11—11 of FIG. 5; and,
FIG. 12 is a cross-section view thereof taken along line 12—12 of FIG. 5.

[22] Filed: **Jul. 1, 1997**

Related U.S. Application Data

[63] Continuation-in-part of Ser. No. 69,176, Apr. 11, 1997, abandoned.

[51] **LOC (6) Cl.** **07-07**

[52] **U.S. Cl.** **D7/637**

[58] **Field of Search** D7/412, 637-341;
D6/632, 634; D19/75, 86; 206/553, 564,
372, 373, 486-489; 211/69, 70.6, 87.01,
88.01; 312/237

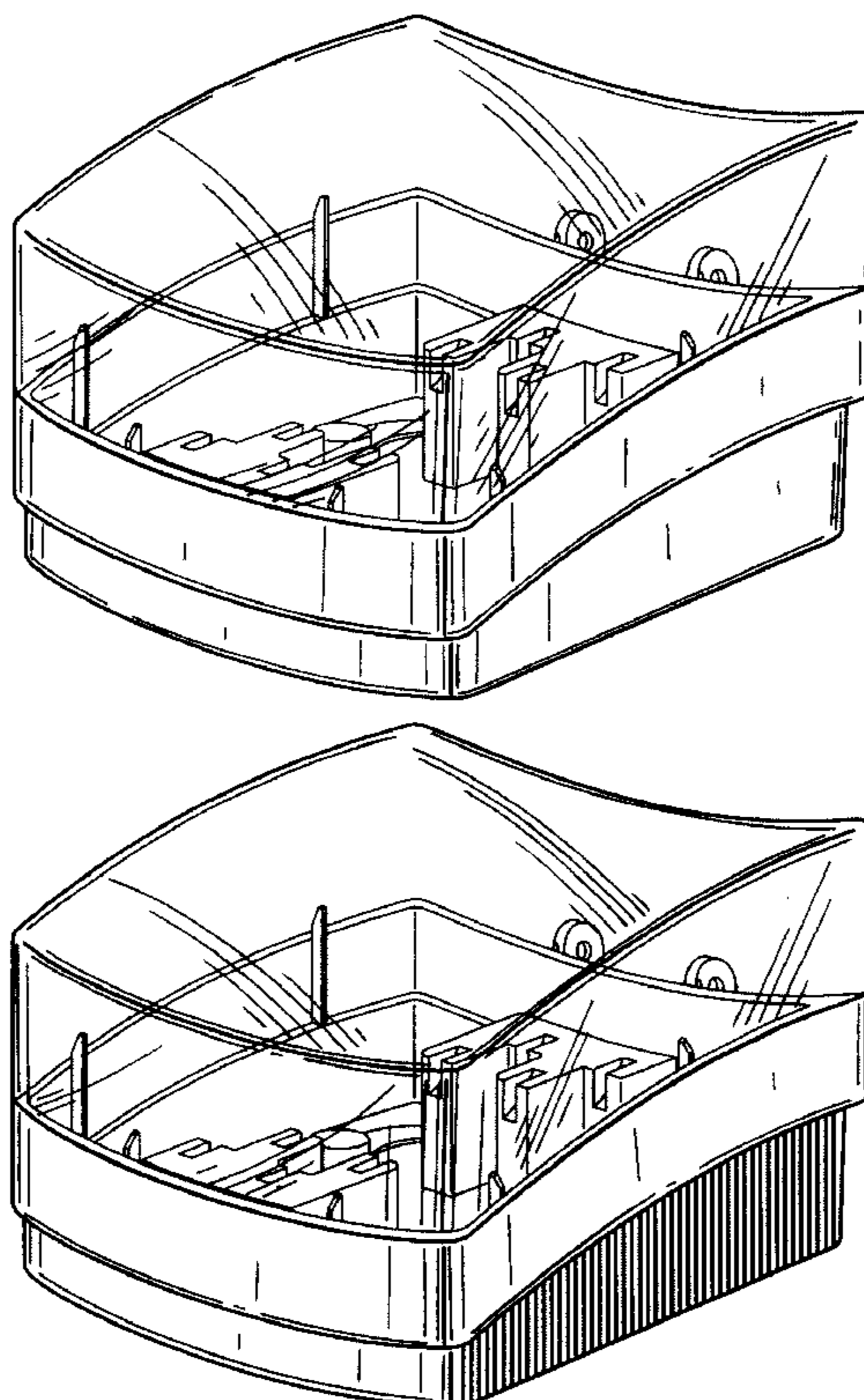
The front, top and bottom views of the alternate embodiment are the same as the respective views of the first embodiment. The cross section views are the same for both embodiments. The broken lines are for illustrative purposes only and form no part of the claimed design.

[56] **References Cited**

U.S. PATENT DOCUMENTS

4,117,931	10/1978	Berkman	206/564 X
4,334,724	6/1982	Rogers, Sr.	.	
4,557,389	12/1985	Williams et al.	.	
4,733,827	3/1988	Williams	.	
4,856,718	8/1989	Gaber et al.	.	

1 Claim, 8 Drawing Sheets



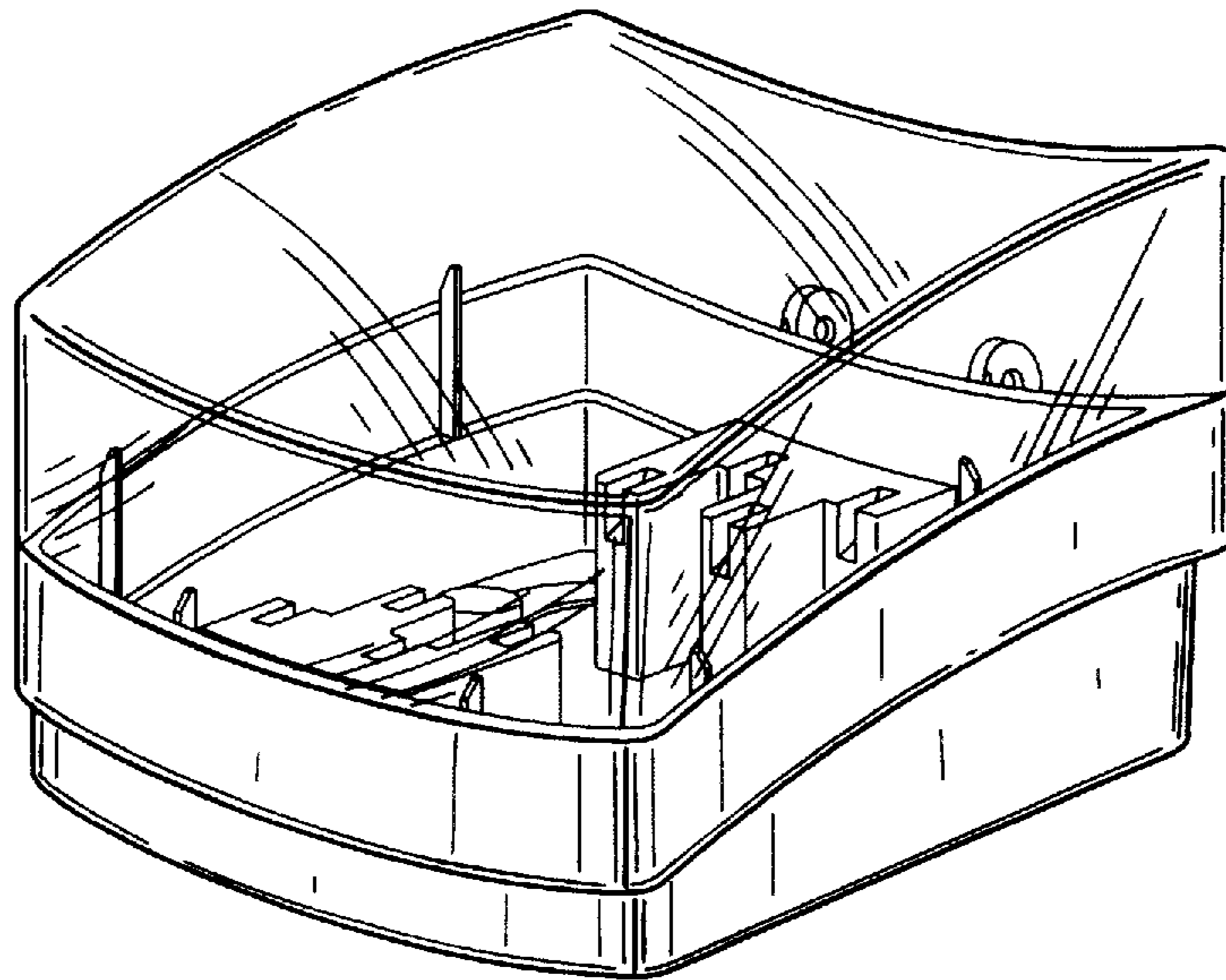


FIG. 1

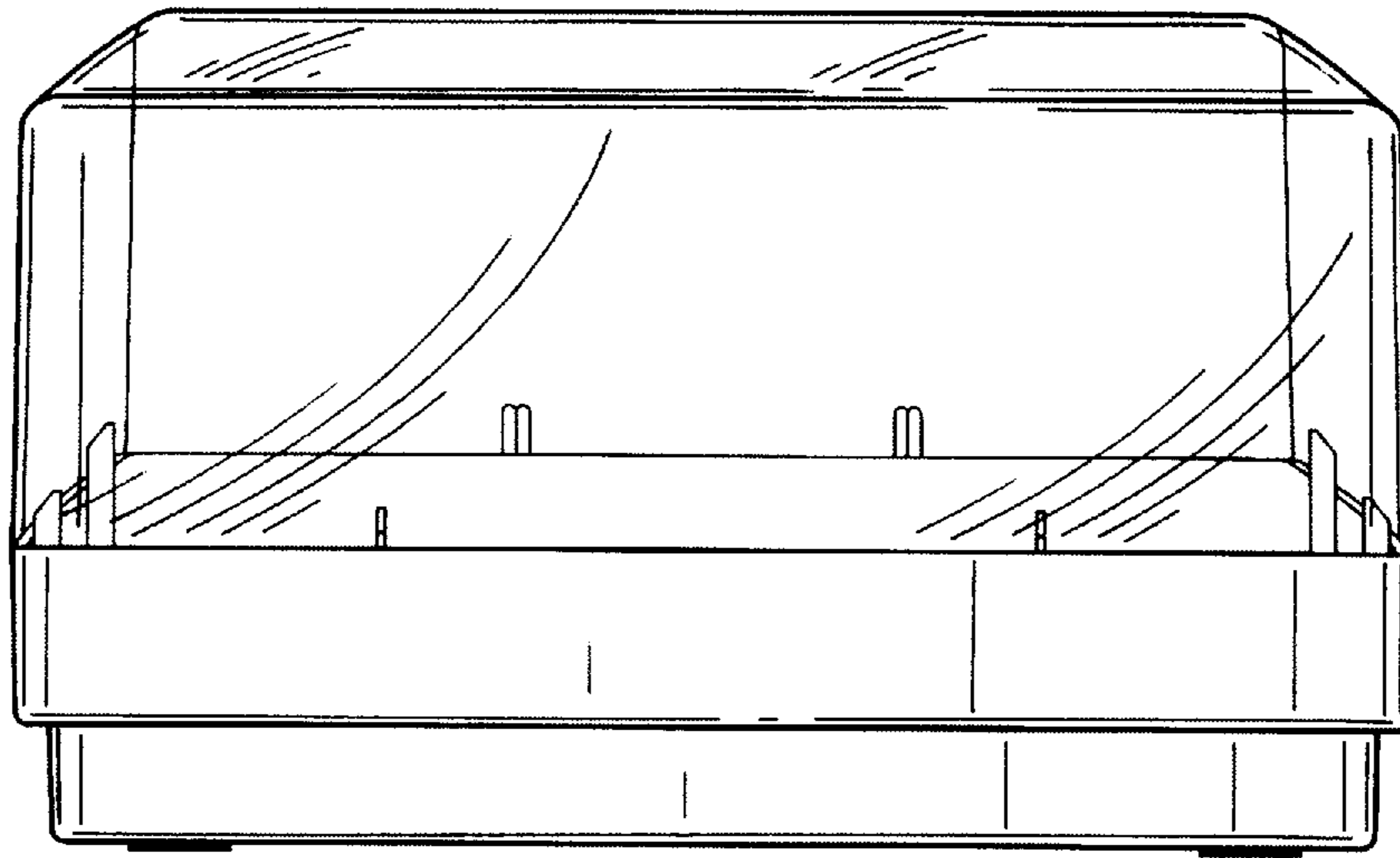


FIG. 2

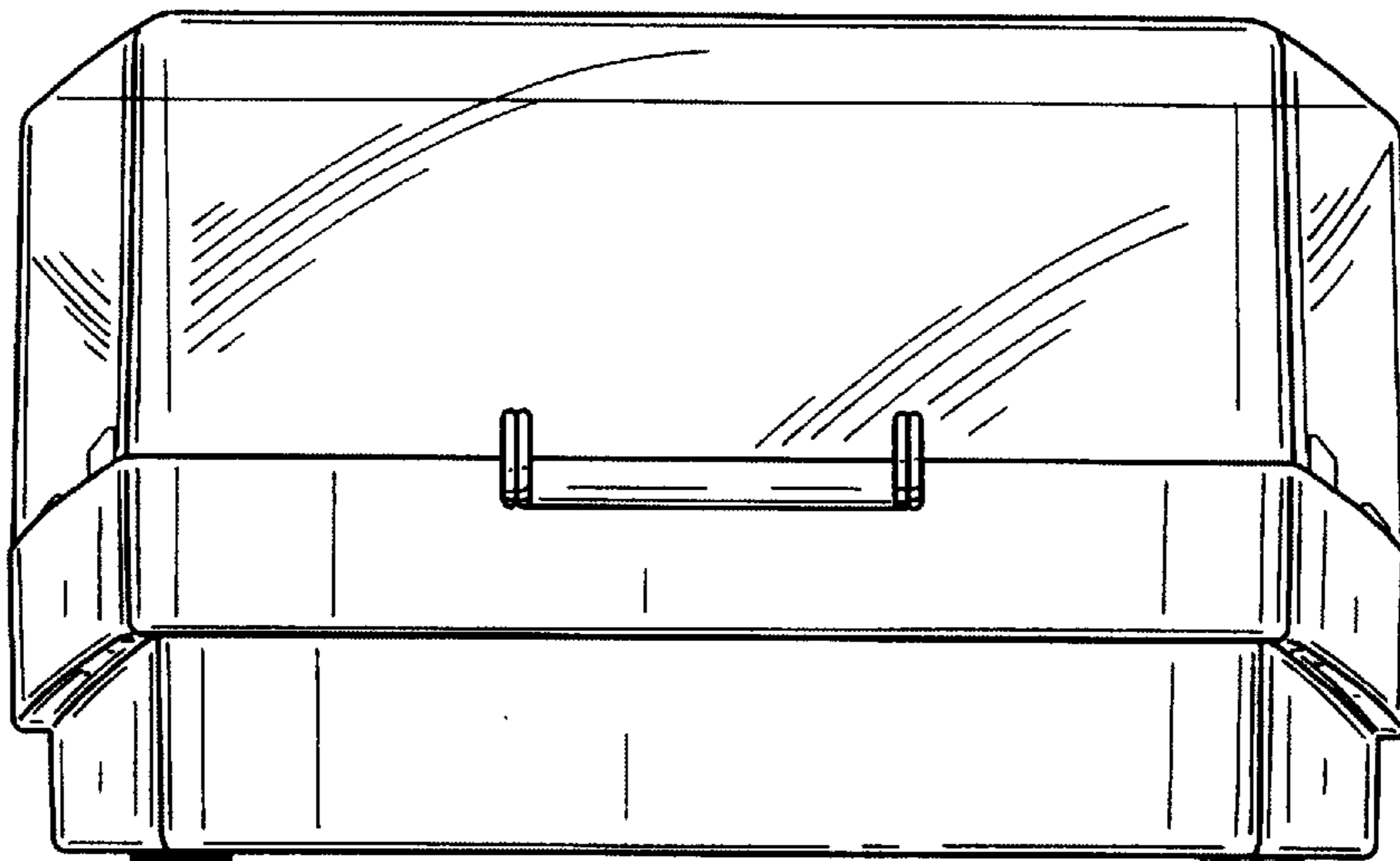


FIG. 3

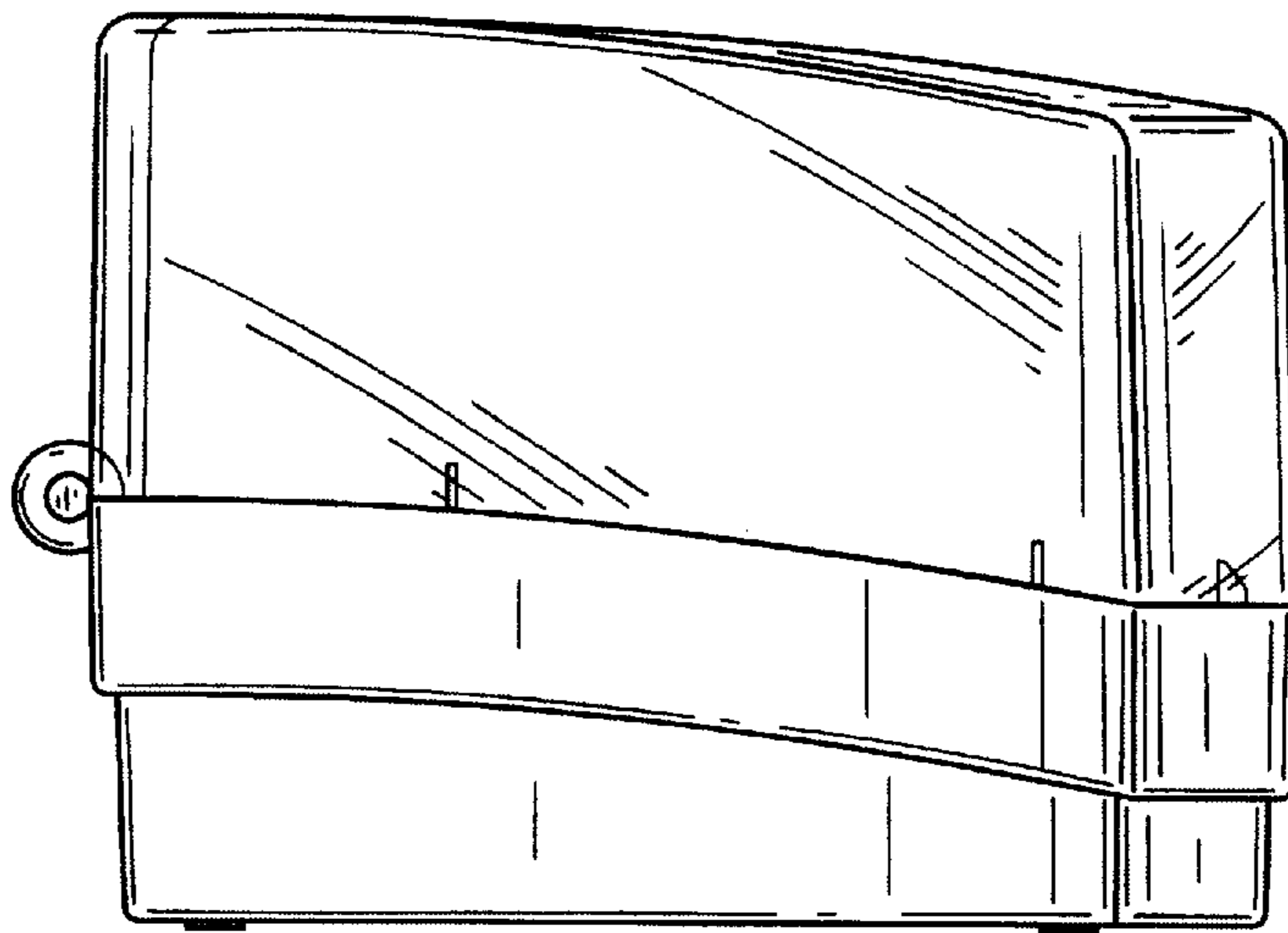


FIG. 4

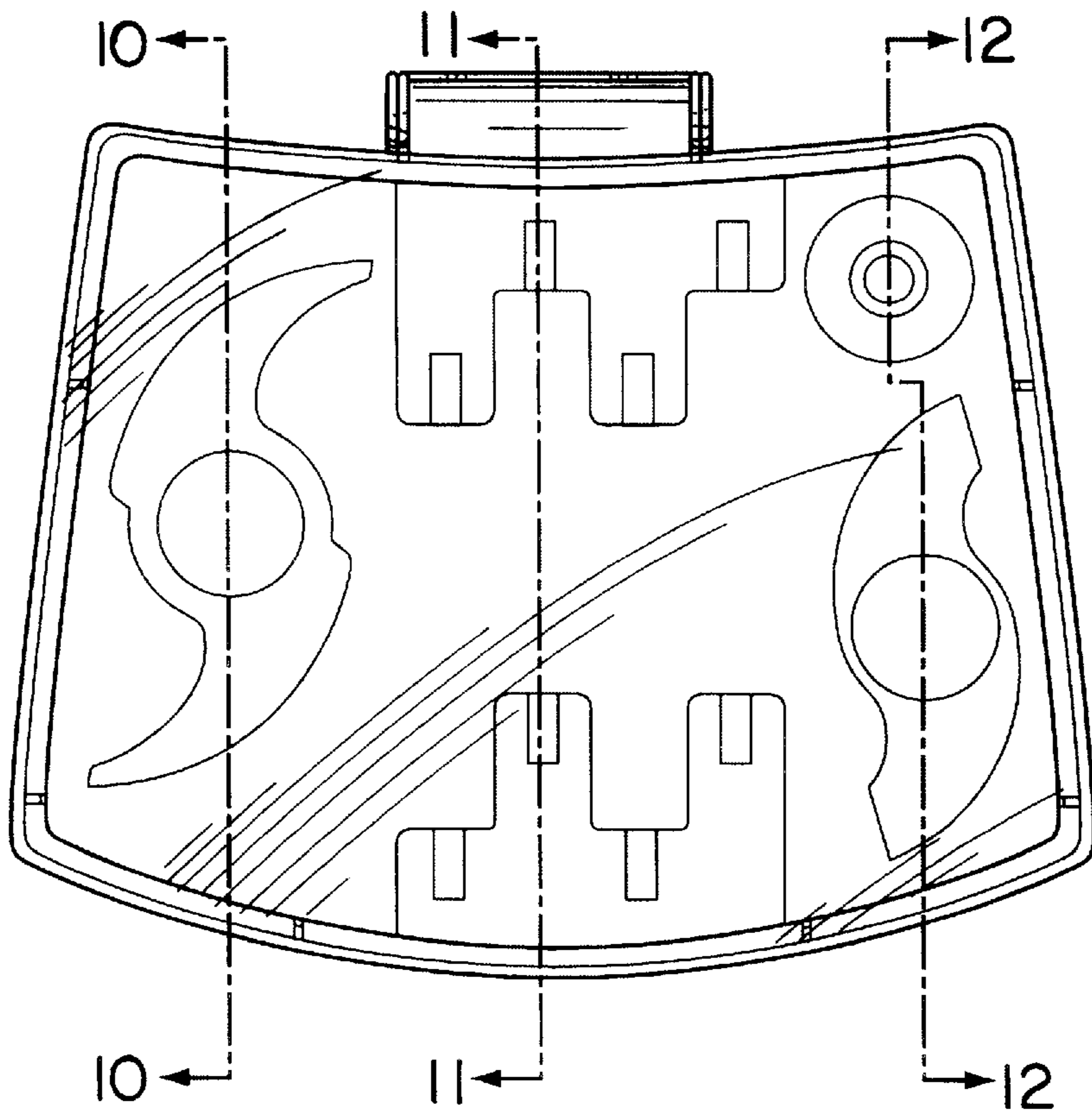


FIG. 5

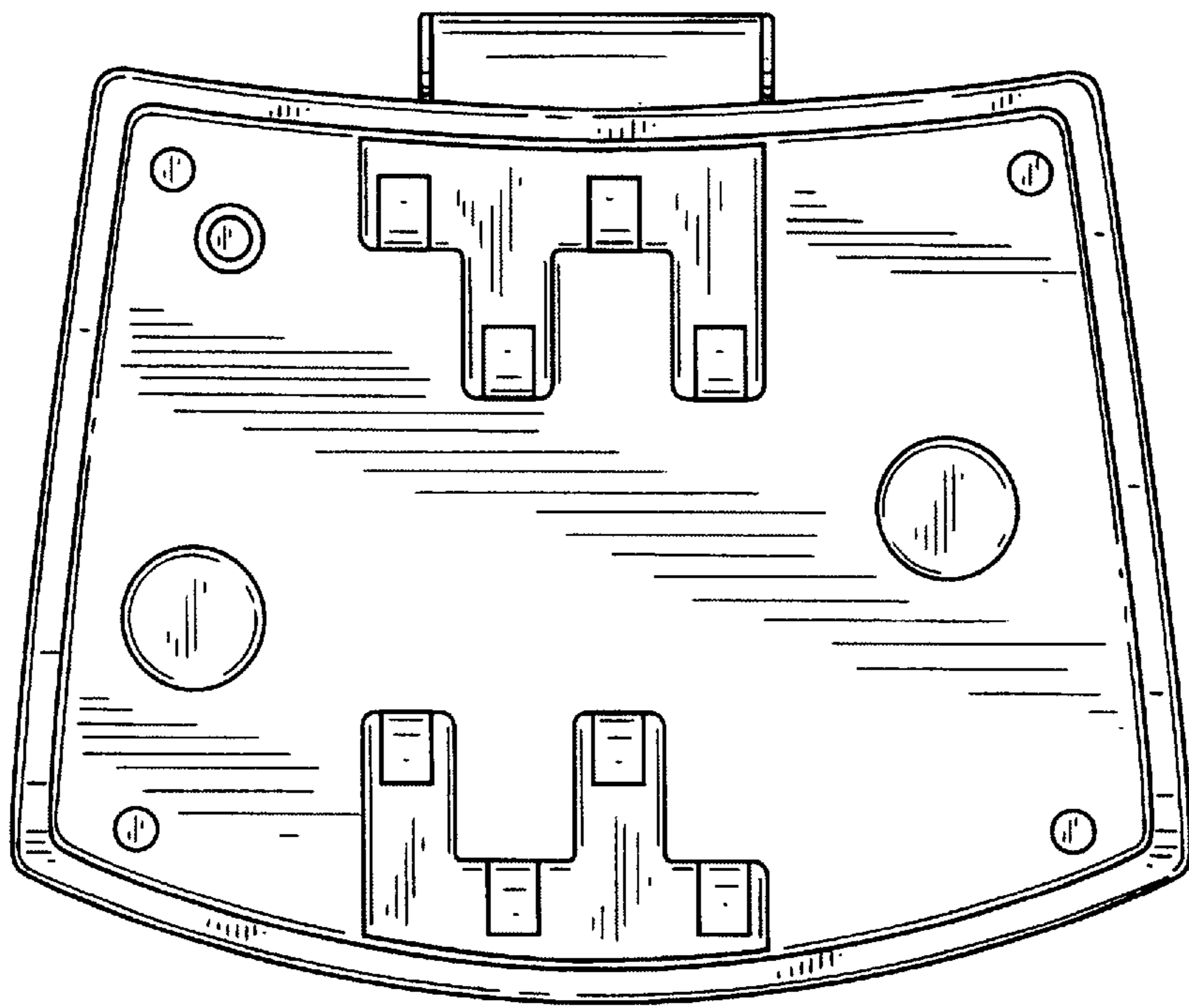


FIG. 6

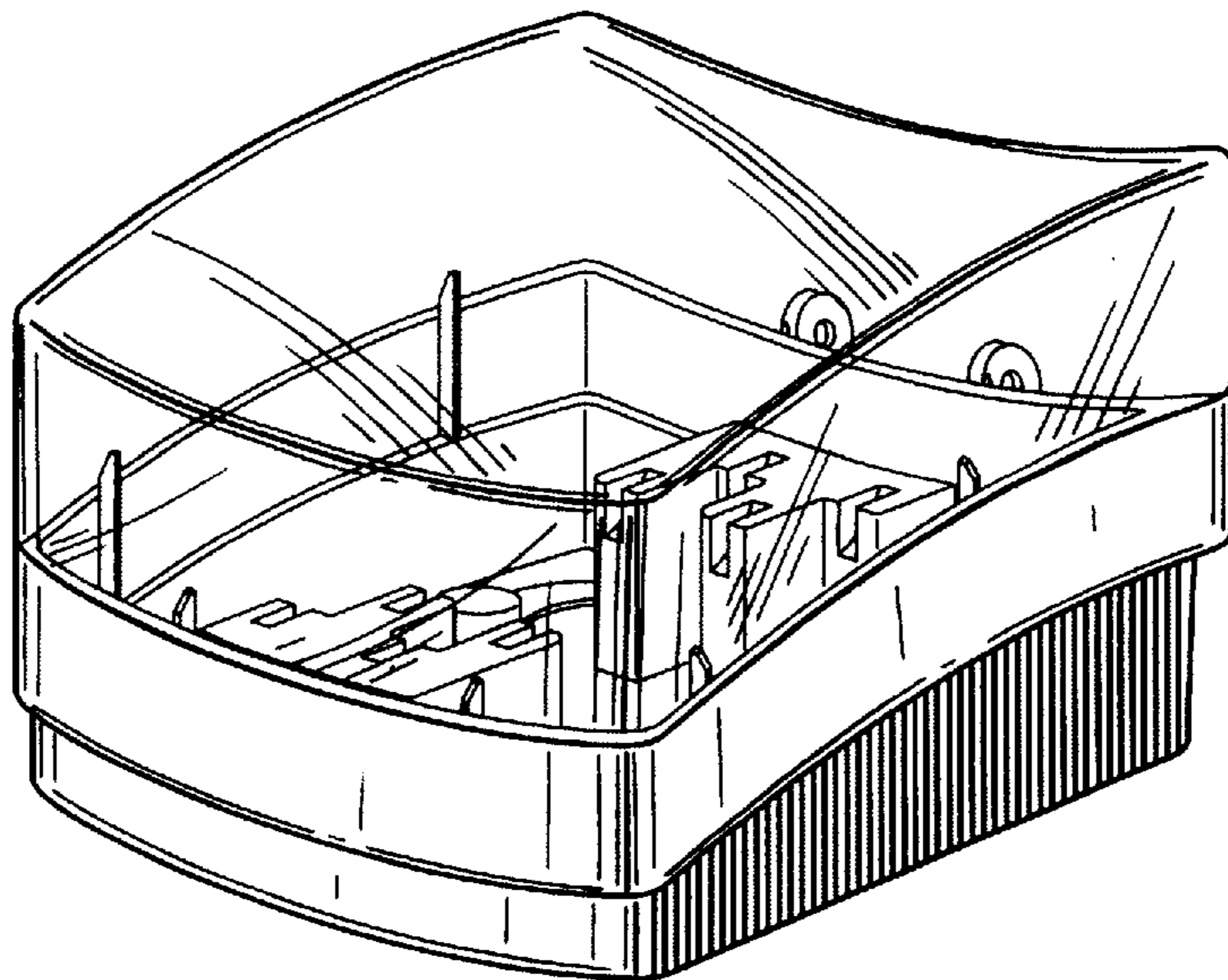


FIG. 7

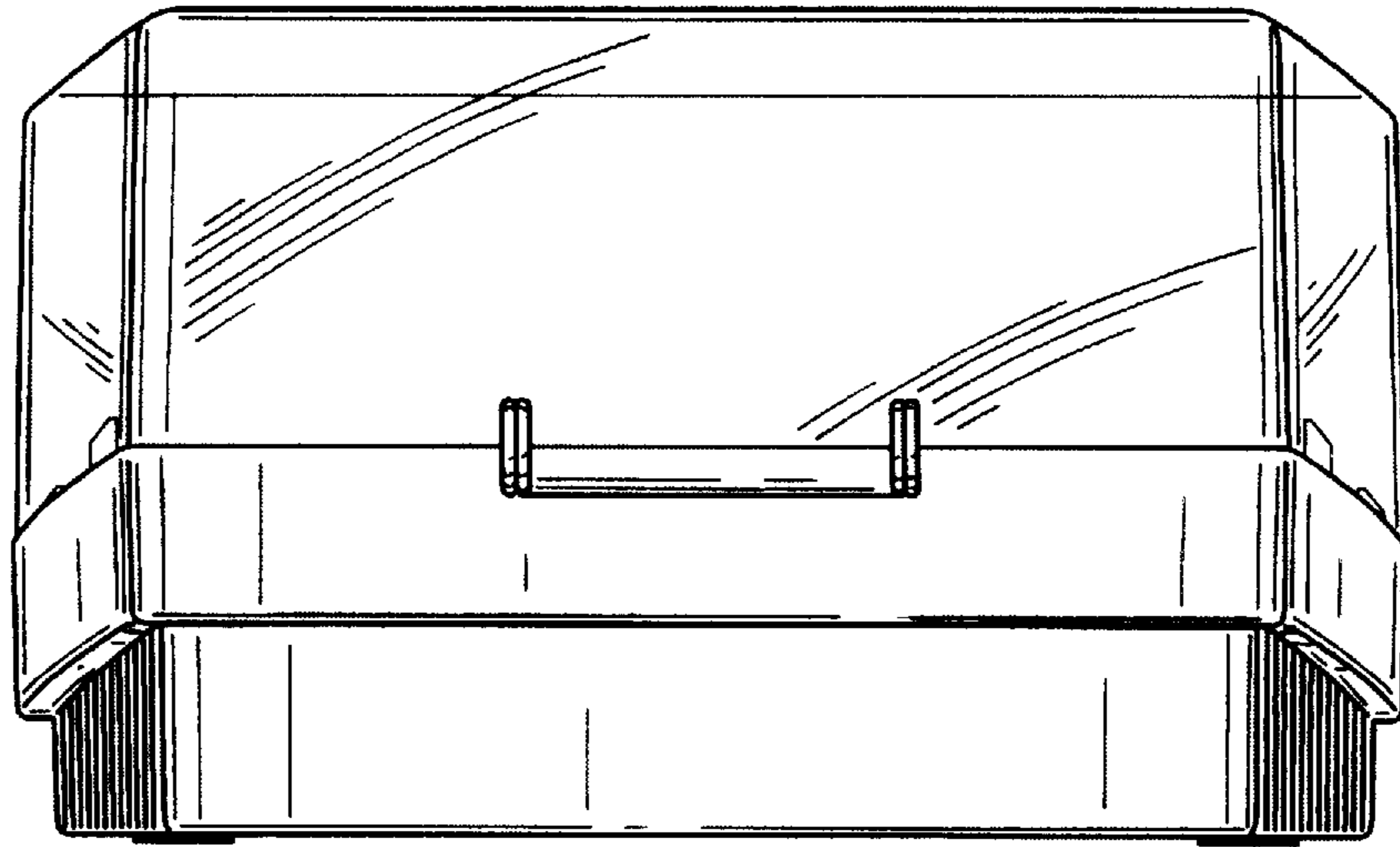


FIG. 8

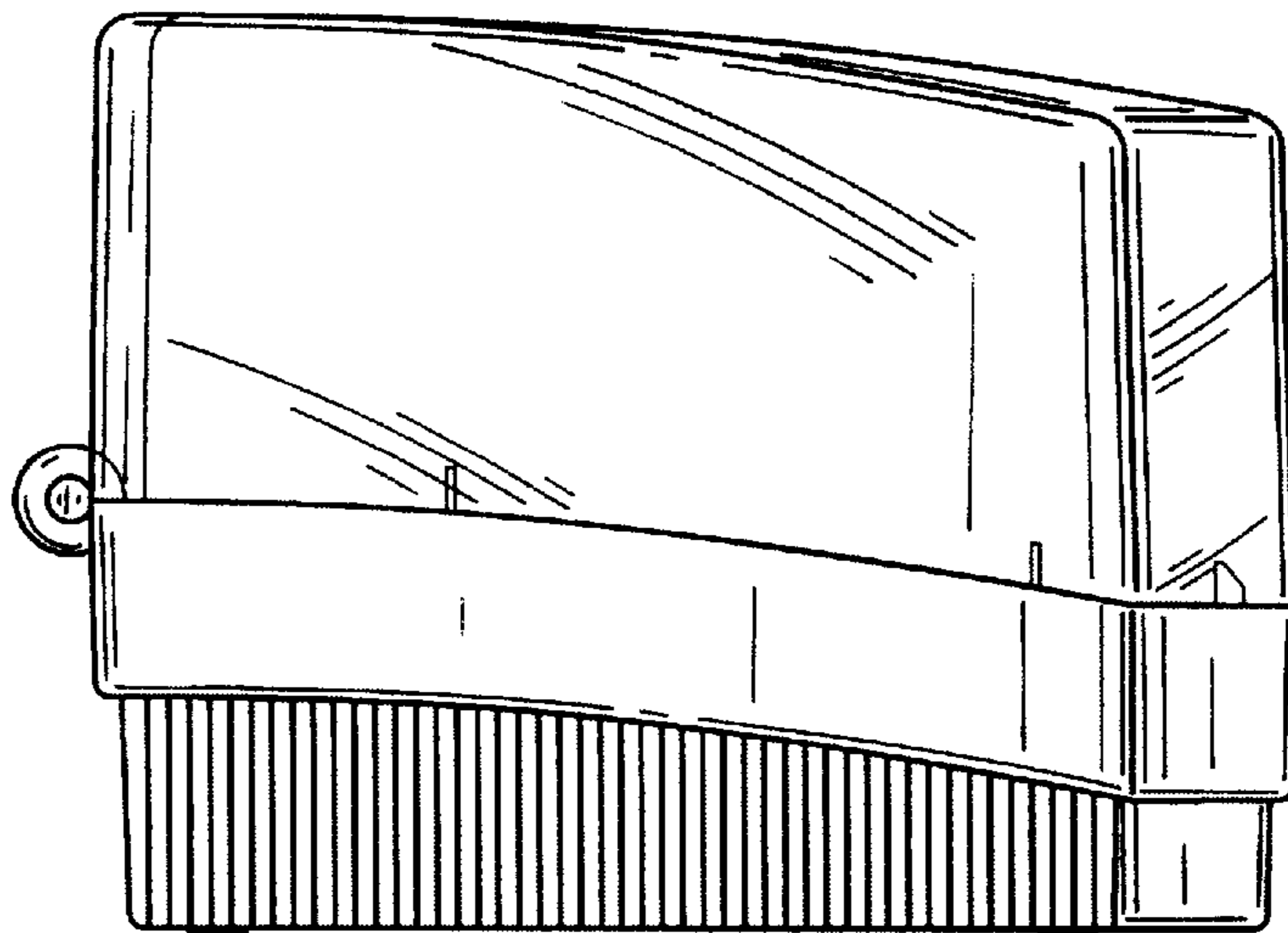


FIG. 9

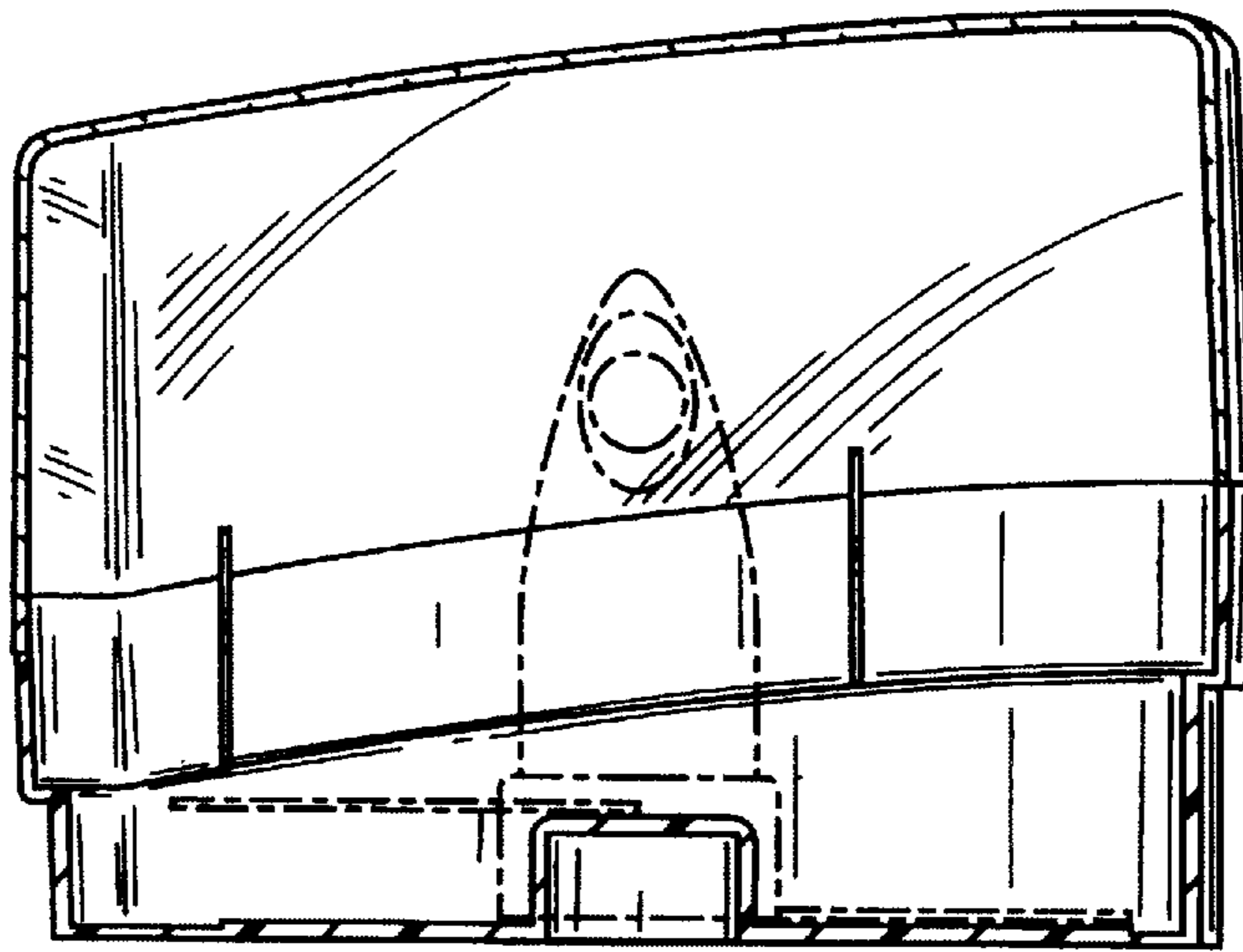


FIG. 10

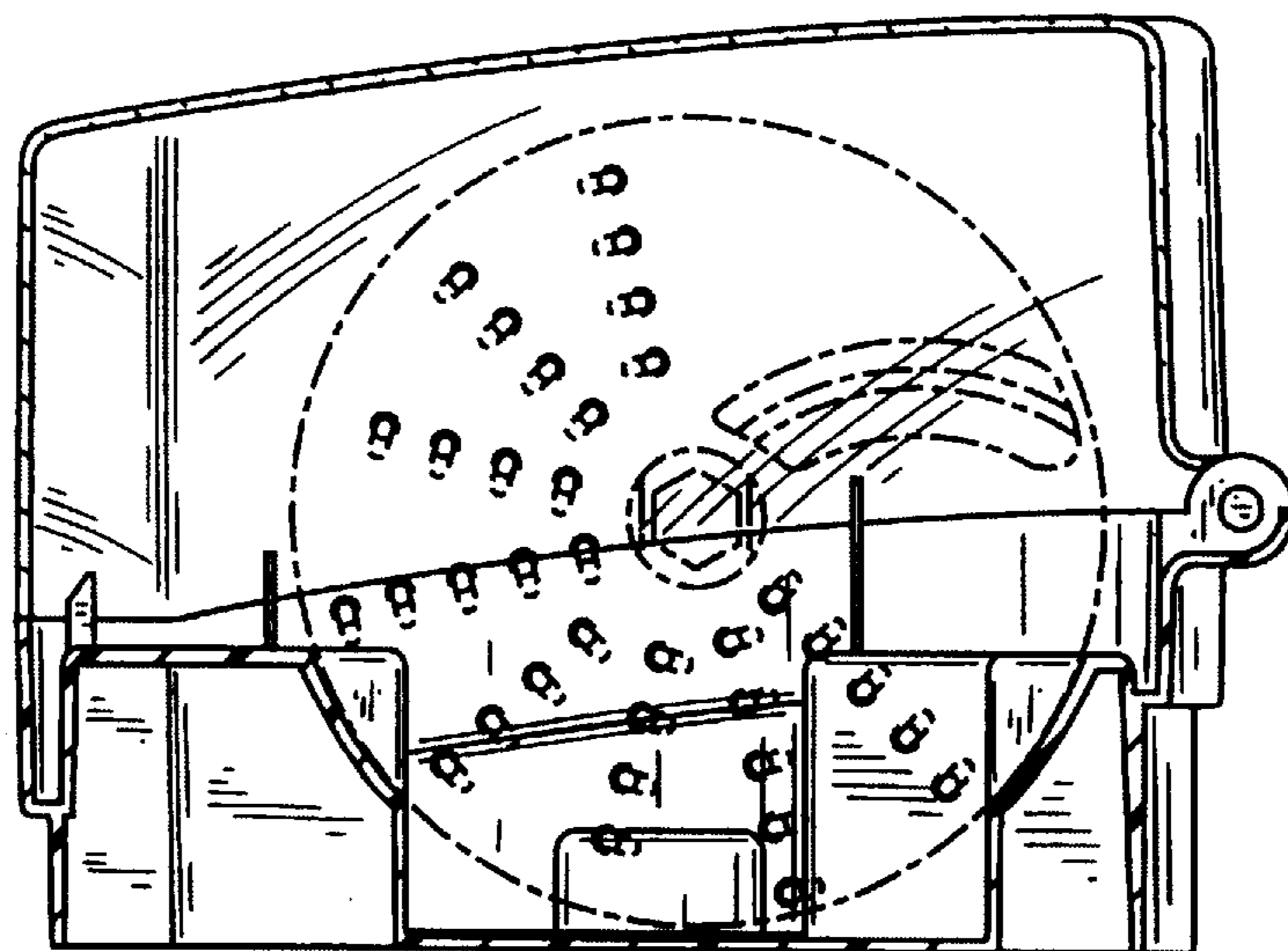


FIG. 11

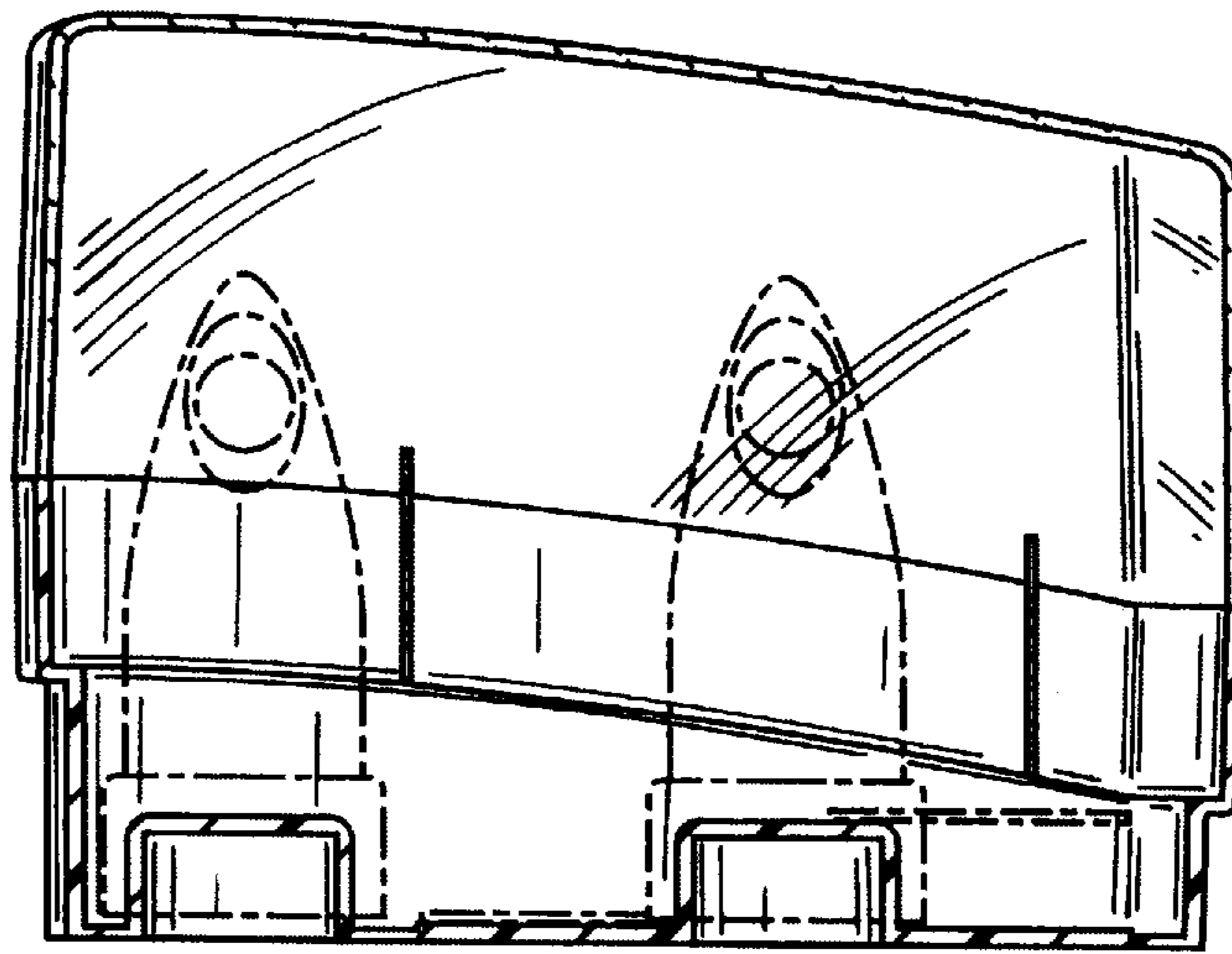


FIG. 12