



US00D403924S

United States Patent [19]
Carlson

[11] **Patent Number: Des. 403,924**

[45] **Date of Patent: ***Jan. 12, 1999**

[54] **CONTAINER**

[75] Inventor: **Arthur Richard Carlson**, East Hawthorn, Australia

[73] Assignee: **The Decor Corporation Pty. Ltd.**, Scoresby, Australia

[*] Notice: The term of this patent shall not extend beyond the expiration date of Pat. No. Des. 377,739.

[**] Term: **14 Years**

[21] Appl. No.: **75,535**

[22] Filed: **Sep. 2, 1997**

[51] **LOC (6) Cl.** **07-06**

[52] **U.S. Cl.** **D7/602**

[58] **Field of Search** D7/538-549, 602, D7/614-615, 629; D9/424, 425, 430; 206/505, 507, 514, 515; 220/574, 657, 669, 675

[56] **References Cited**

U.S. PATENT DOCUMENTS

D. 281,048	10/1985	Wolff	D7/602
D. 282,809	3/1986	Daenen et al.	D7/629
D. 332,204	1/1993	Carlson	D7/629
D. 377,739	2/1997	Carlson	.	
D. 379,287	5/1997	Carlson	.	
3,521,788	7/1970	Kandel et al.	220/675

OTHER PUBLICATIONS

Tupperware, p. 19, Bacon Keeper, #269, Apr. 12, 1986.
Tupperware, p. 21, Loaf Keeper, #284, Apr. 12, 1986.

Primary Examiner—Terry A. Wallace

Attorney, Agent, or Firm—Sterne, Kessler, Goldstein & Fox P.L.L.C.

[57] **CLAIM**

The ornamental design for a container, as shown and described.

DESCRIPTION

FIG. 1 is a perspective view from below of a container showing my new design;

FIG. 2 is an enlarged fragmentary perspective view thereof, showing a portion of the rim;

FIG. 3 is a top plan view thereof;

FIG. 4 is a side elevational view thereof, the opposite side being identical thereto;

FIG. 5 is a bottom plan view thereof;

FIG. 6 is a front elevational view thereof, the rear elevational view being identical thereto;

FIG. 7 is a cross-sectional view taken along line 7—7 of FIG. 3;

FIG. 8 is a perspective view taken below of a container showing an alternate embodiment of my new design;

FIG. 9 is an enlarged fragmentary perspective view thereof, showing a portion of the rim;

FIG. 10 is a top plan view thereof;

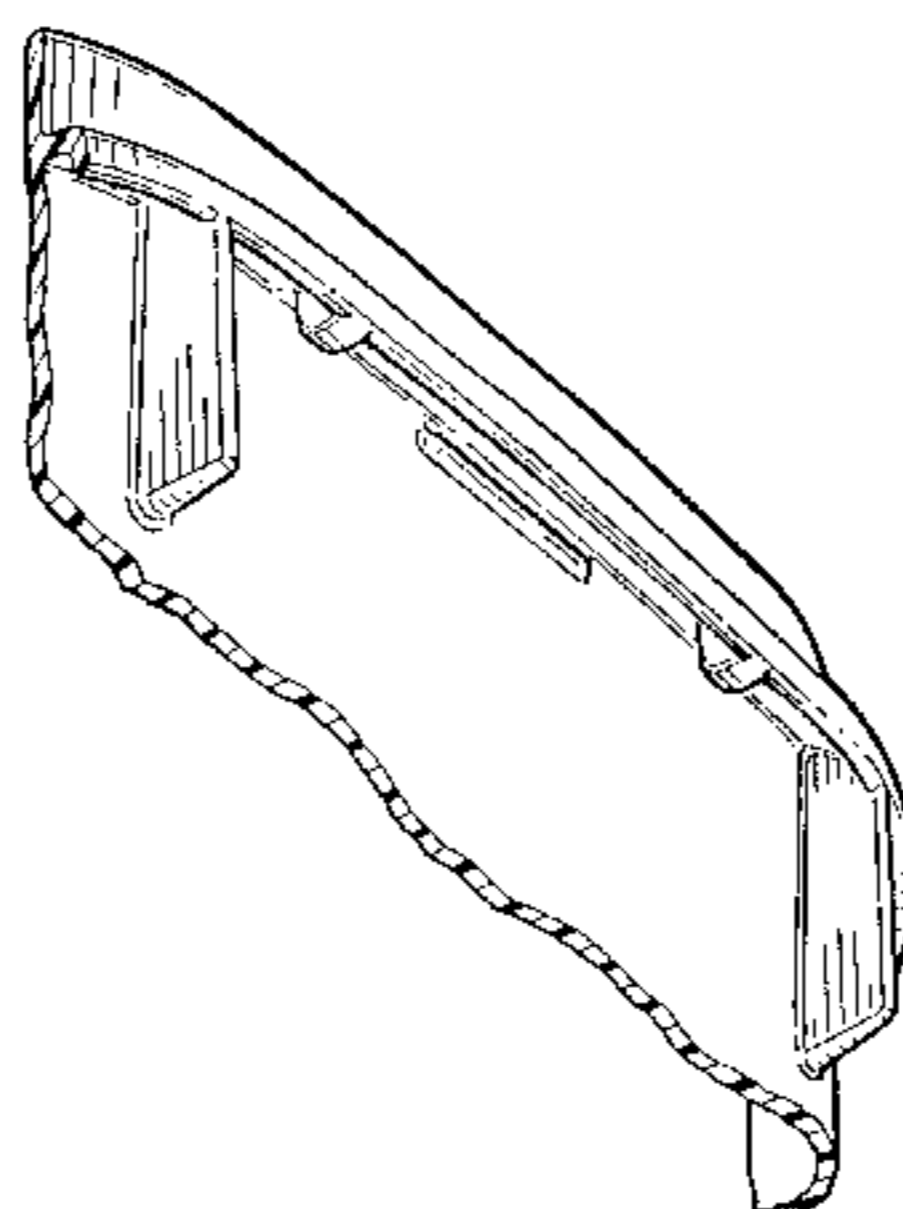
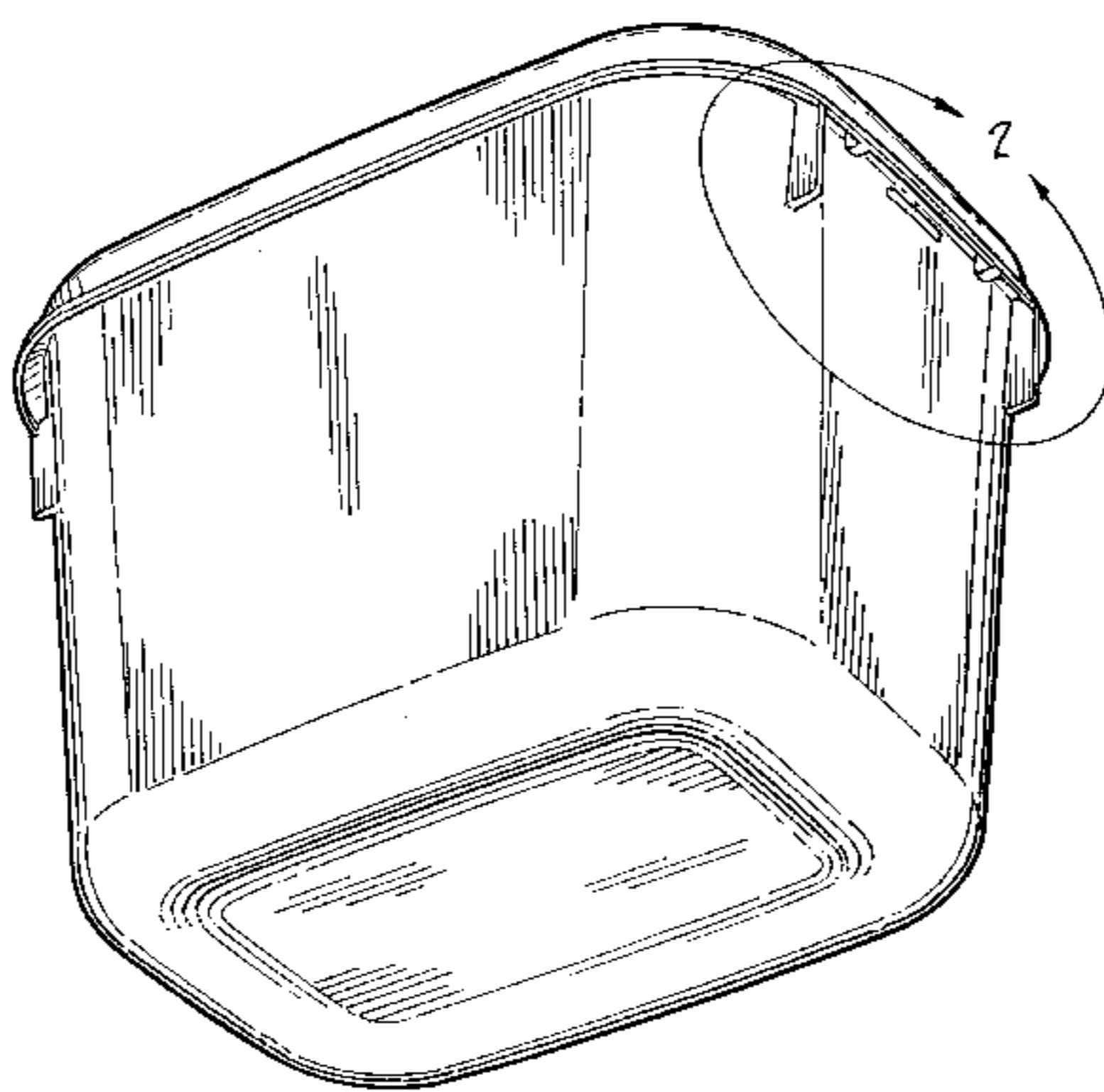
FIG. 11 is a side elevational view thereof, the opposite side being identical thereto;

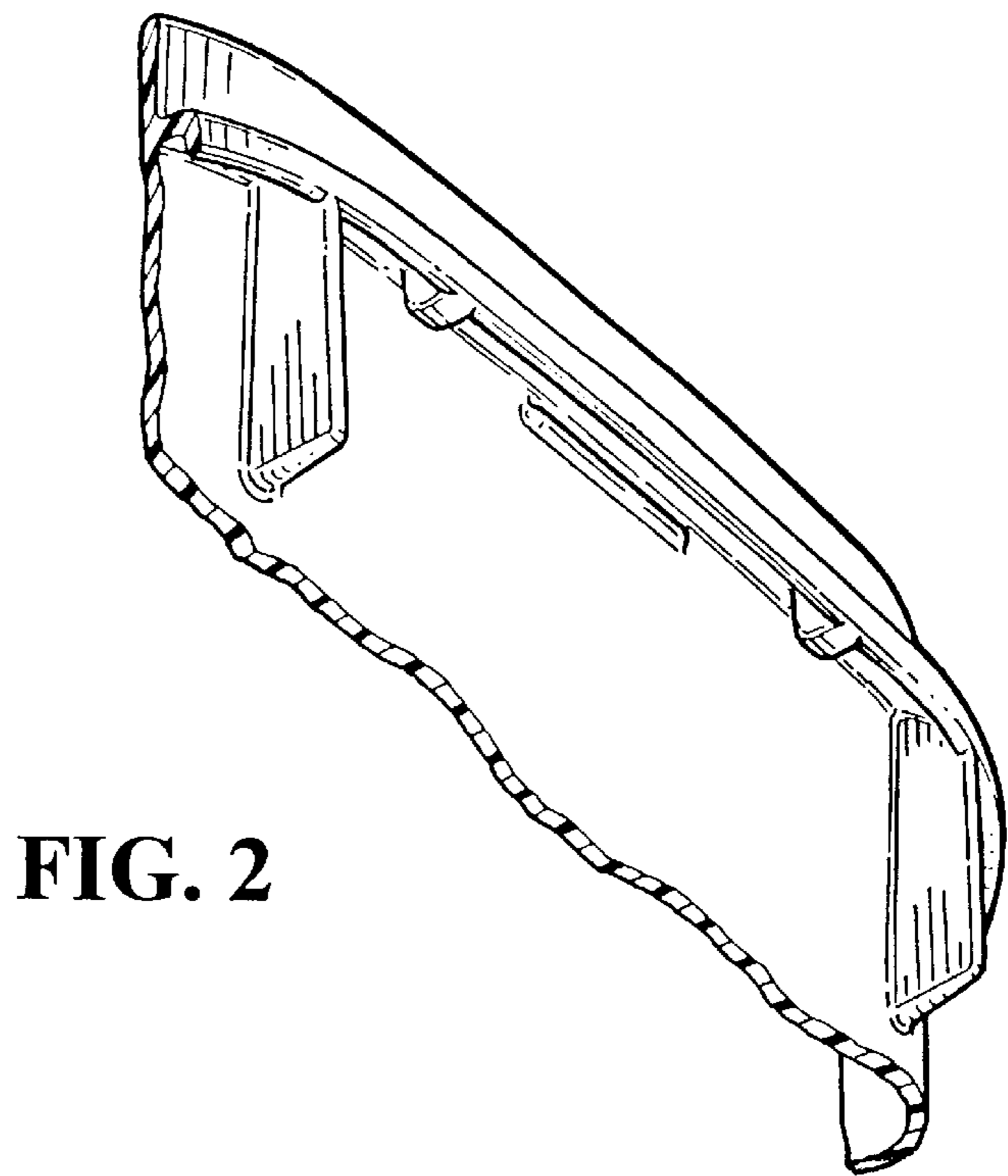
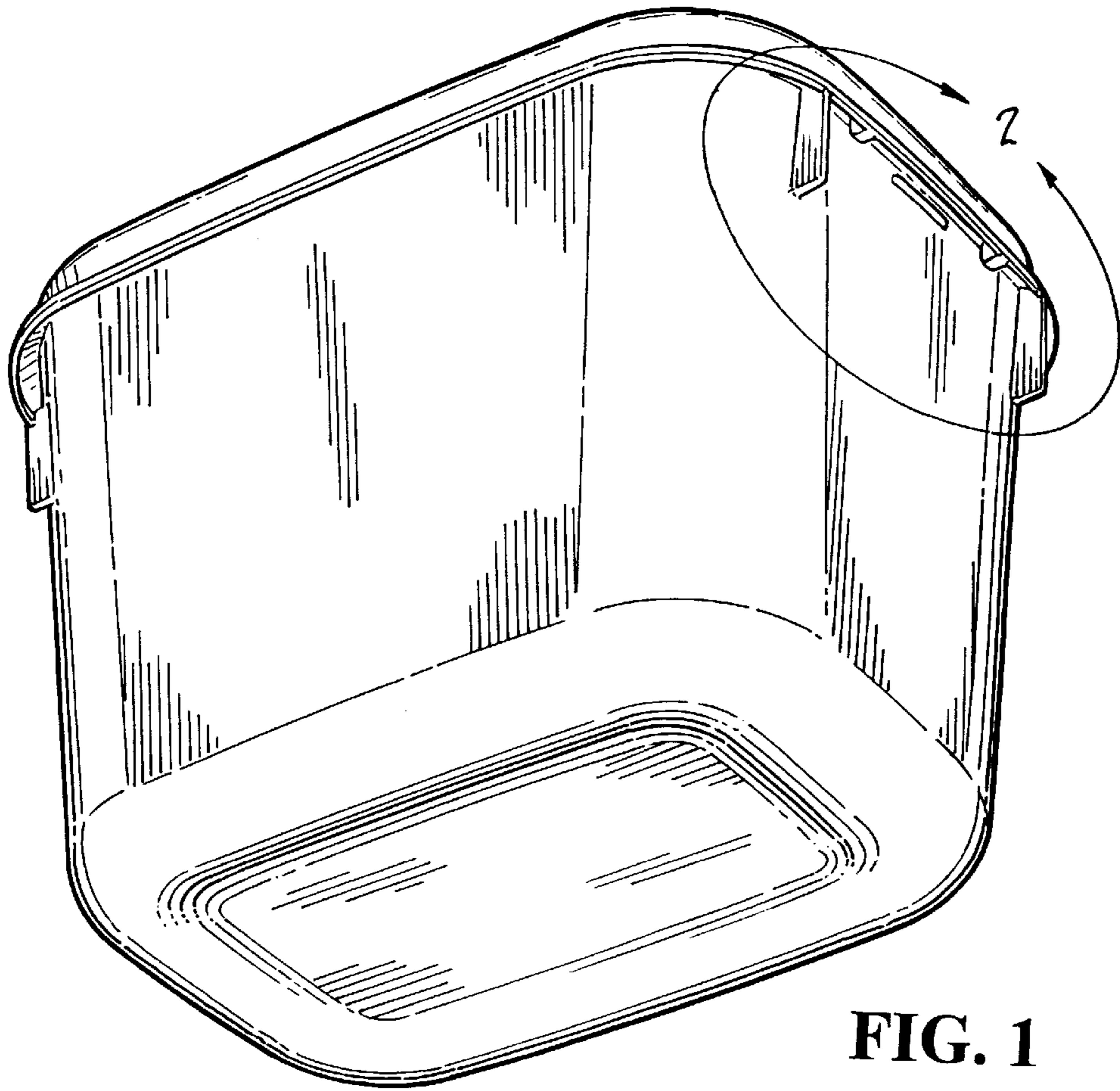
FIG. 12 is a bottom plan view thereof;

FIG. 13 is a front elevational view thereof, the rear elevational view being identical thereto; and,

FIG. 14 is a cross-sectional view taken along line 14—14 of FIG. 10.

1 Claim, 8 Drawing Sheets





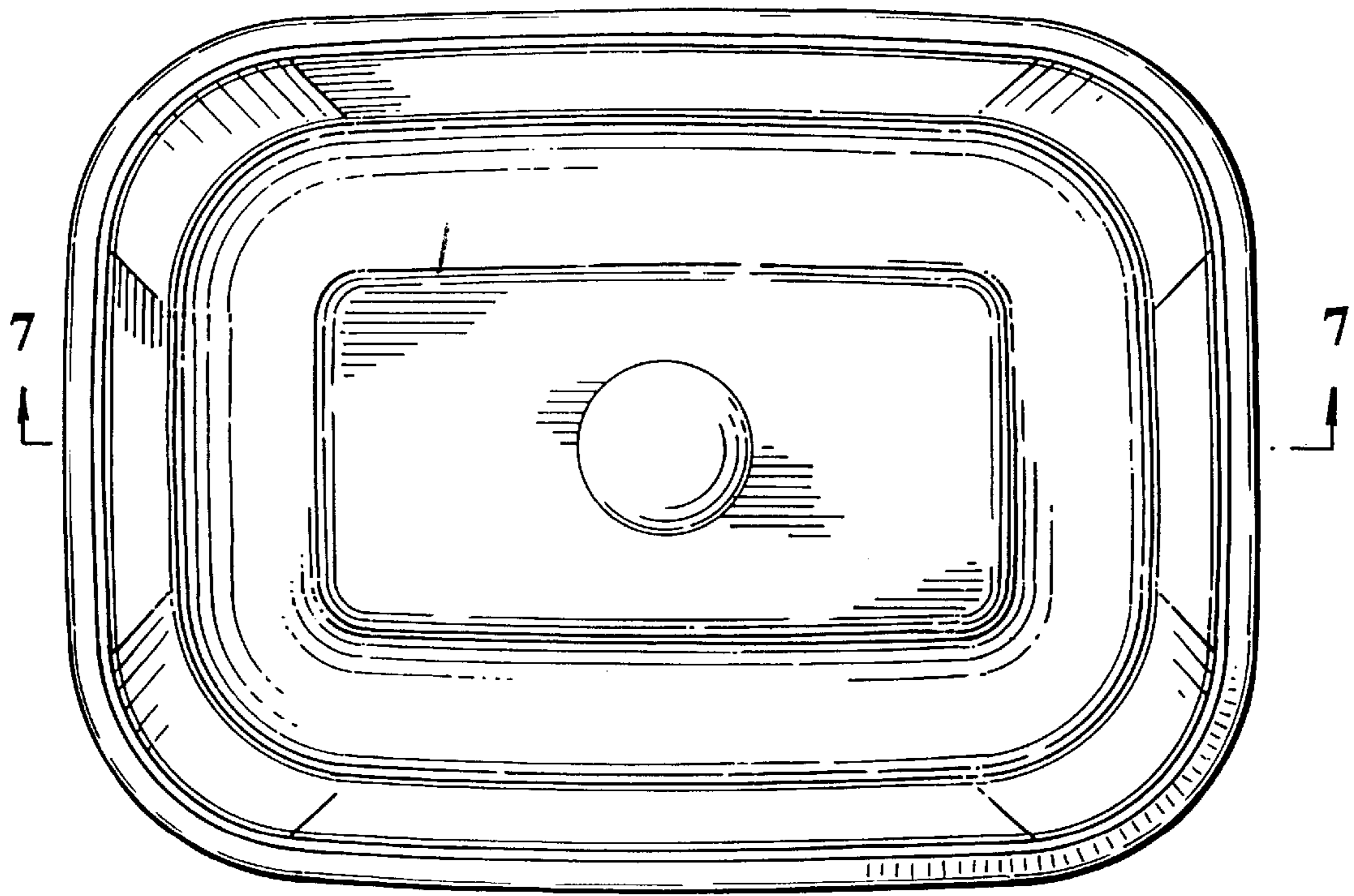


FIG. 3

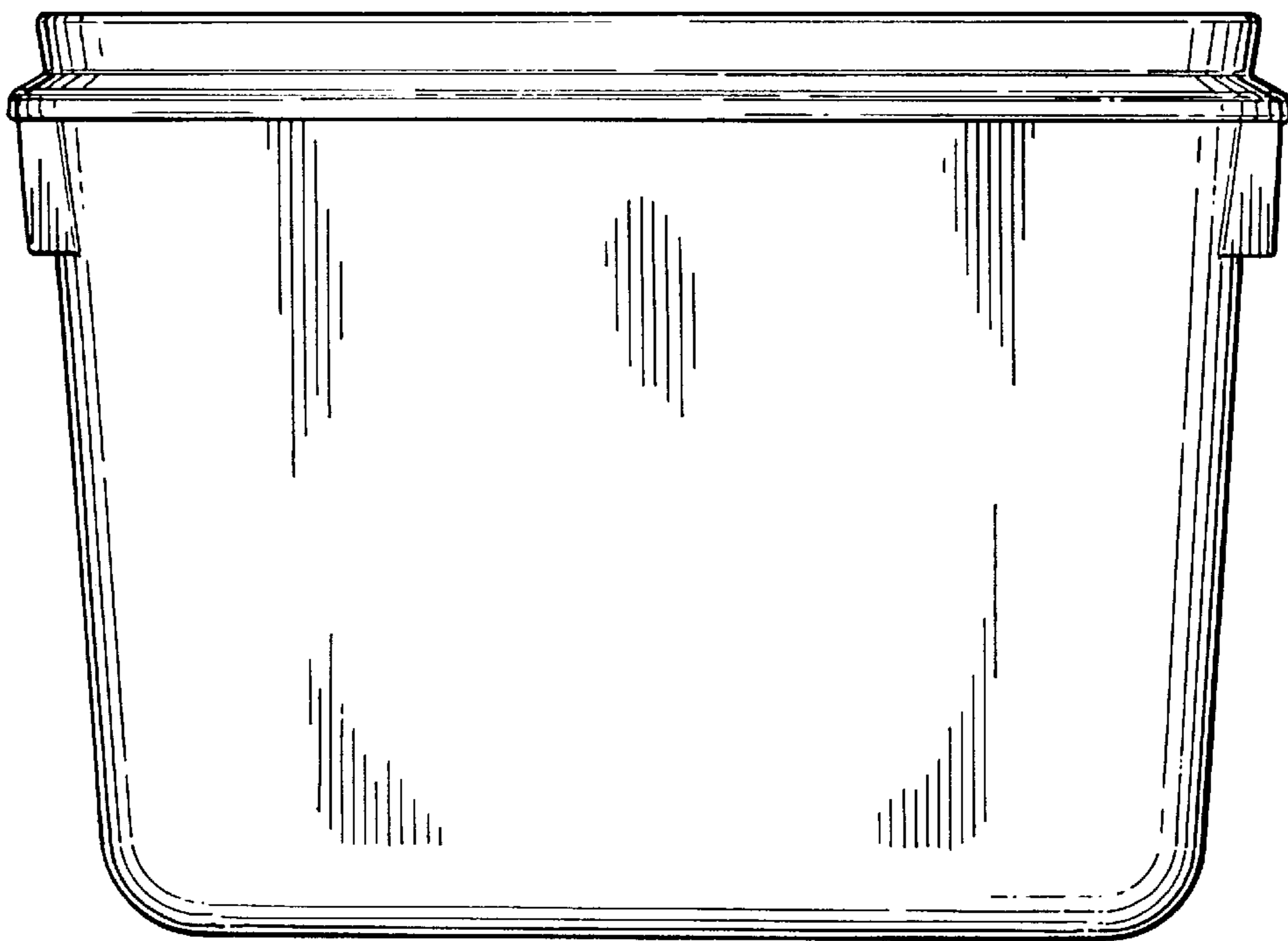


FIG. 4

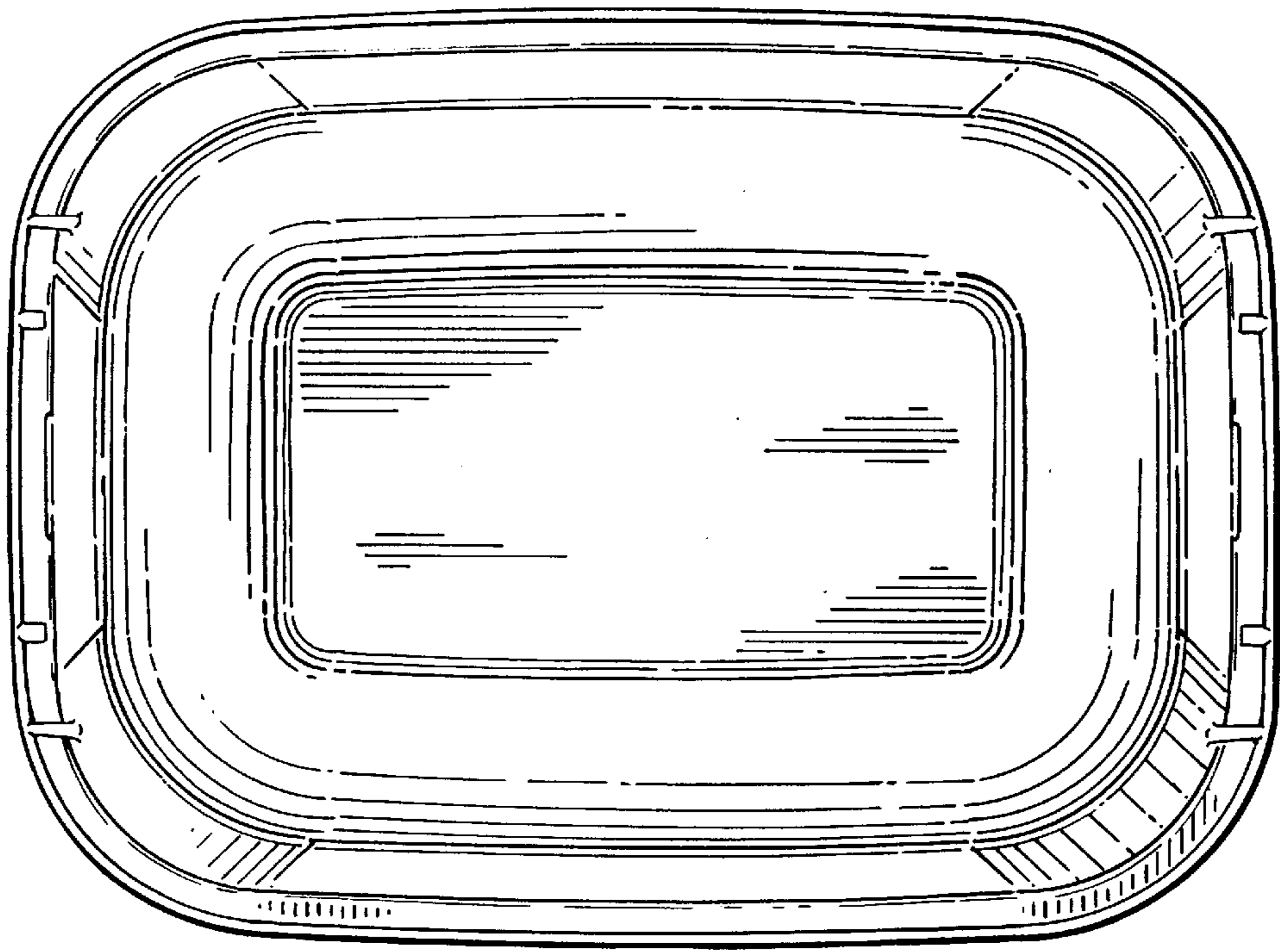


FIG. 5

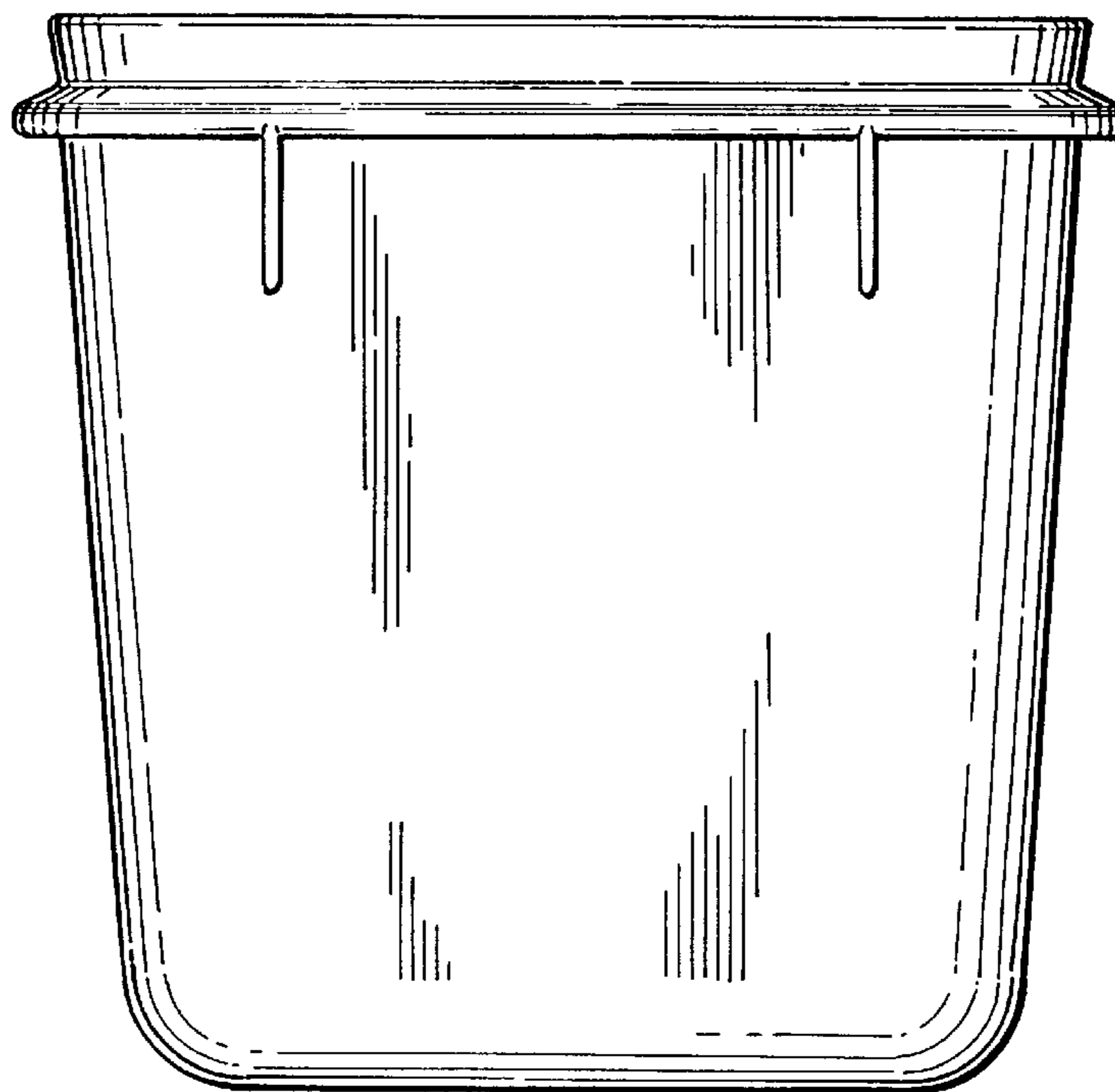


FIG. 6

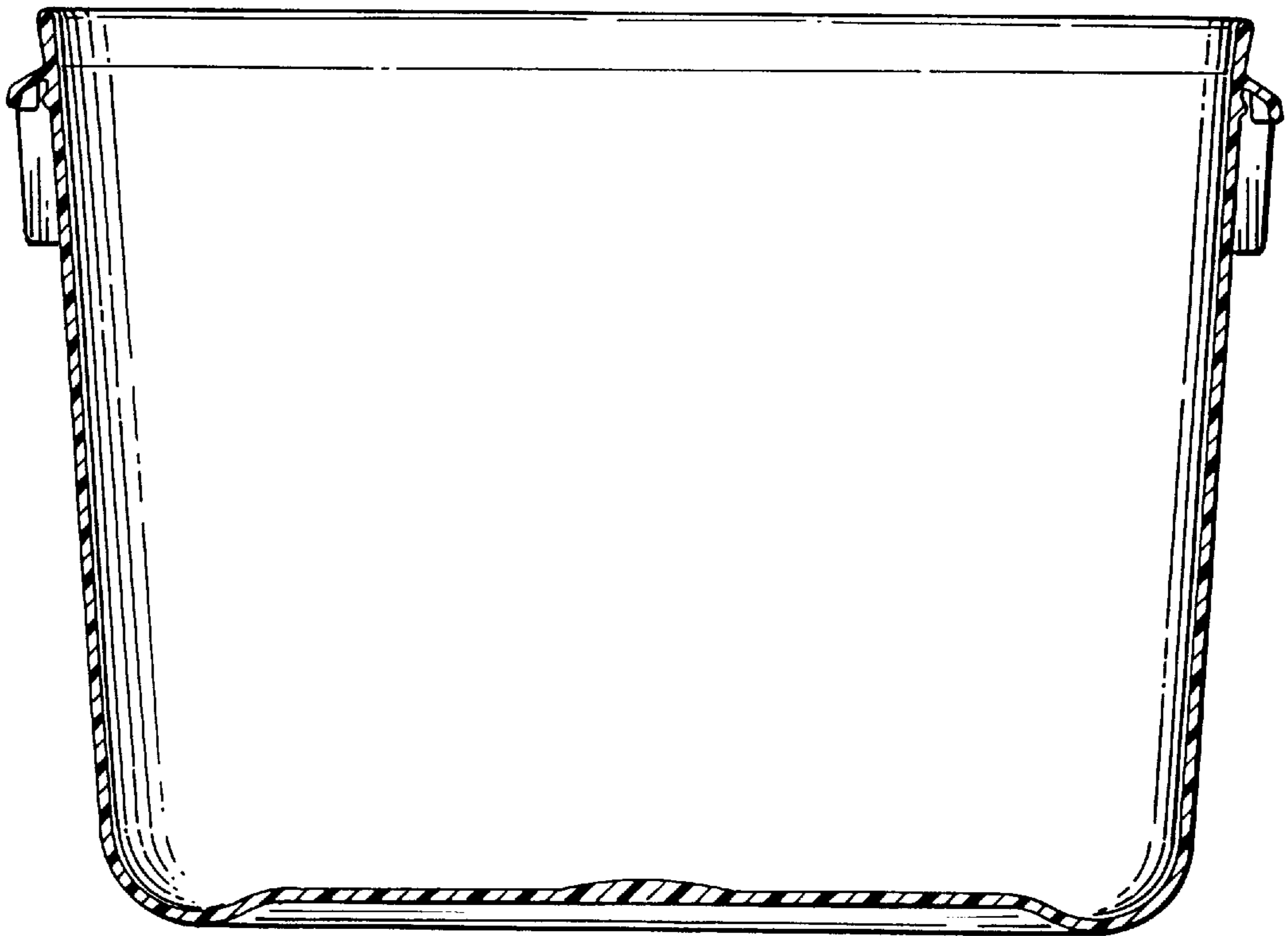


FIG. 7

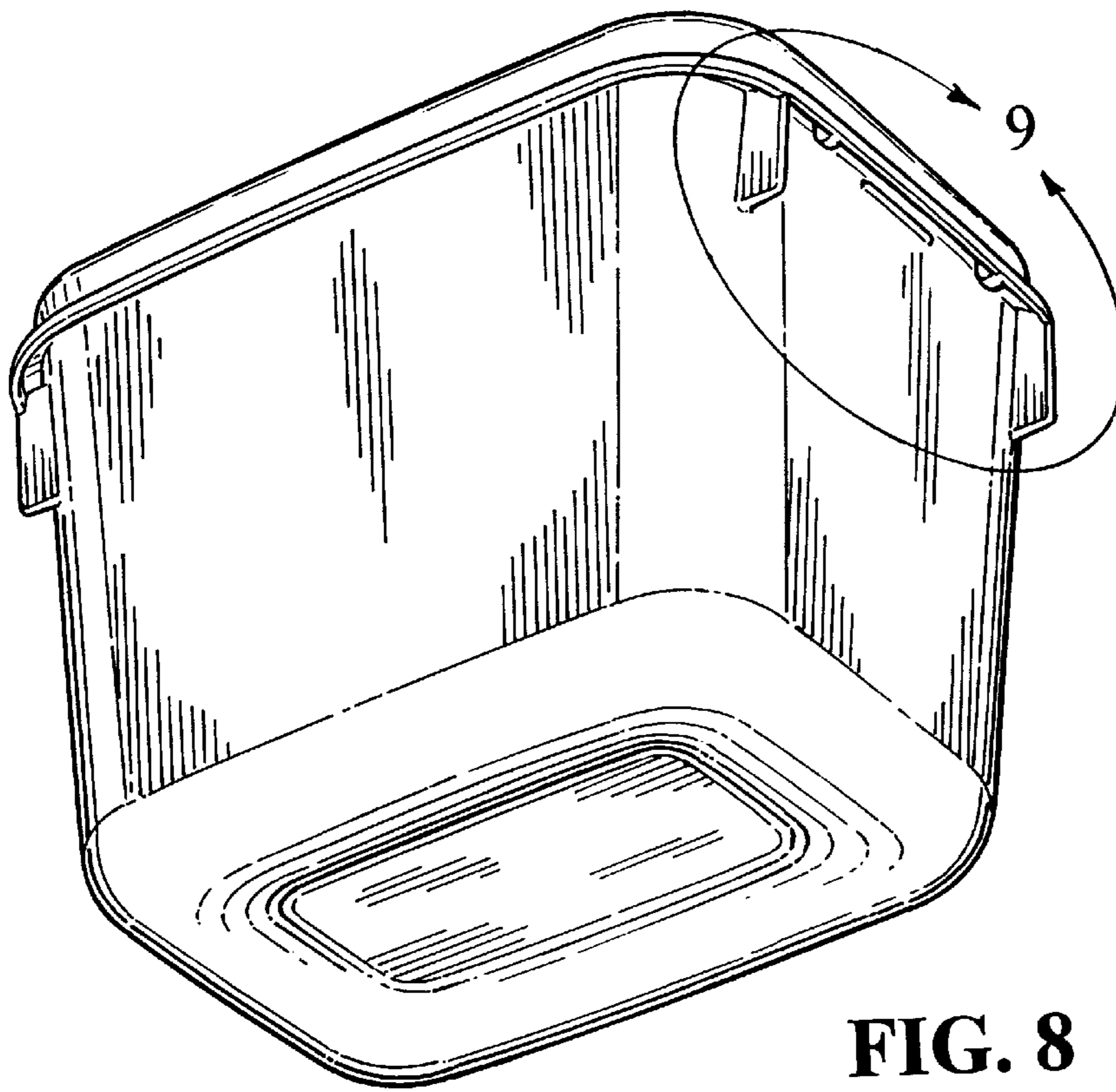


FIG. 8

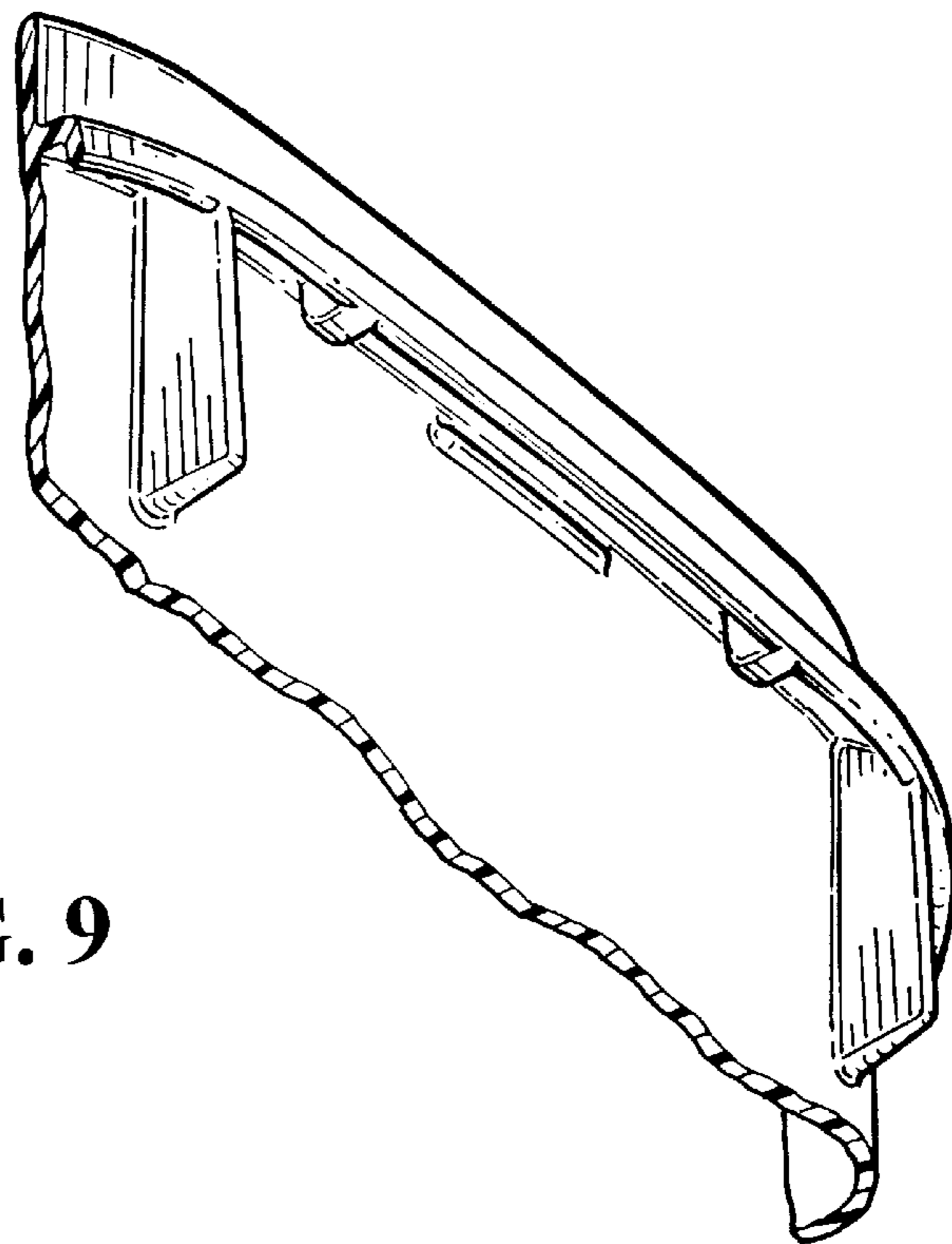


FIG. 9

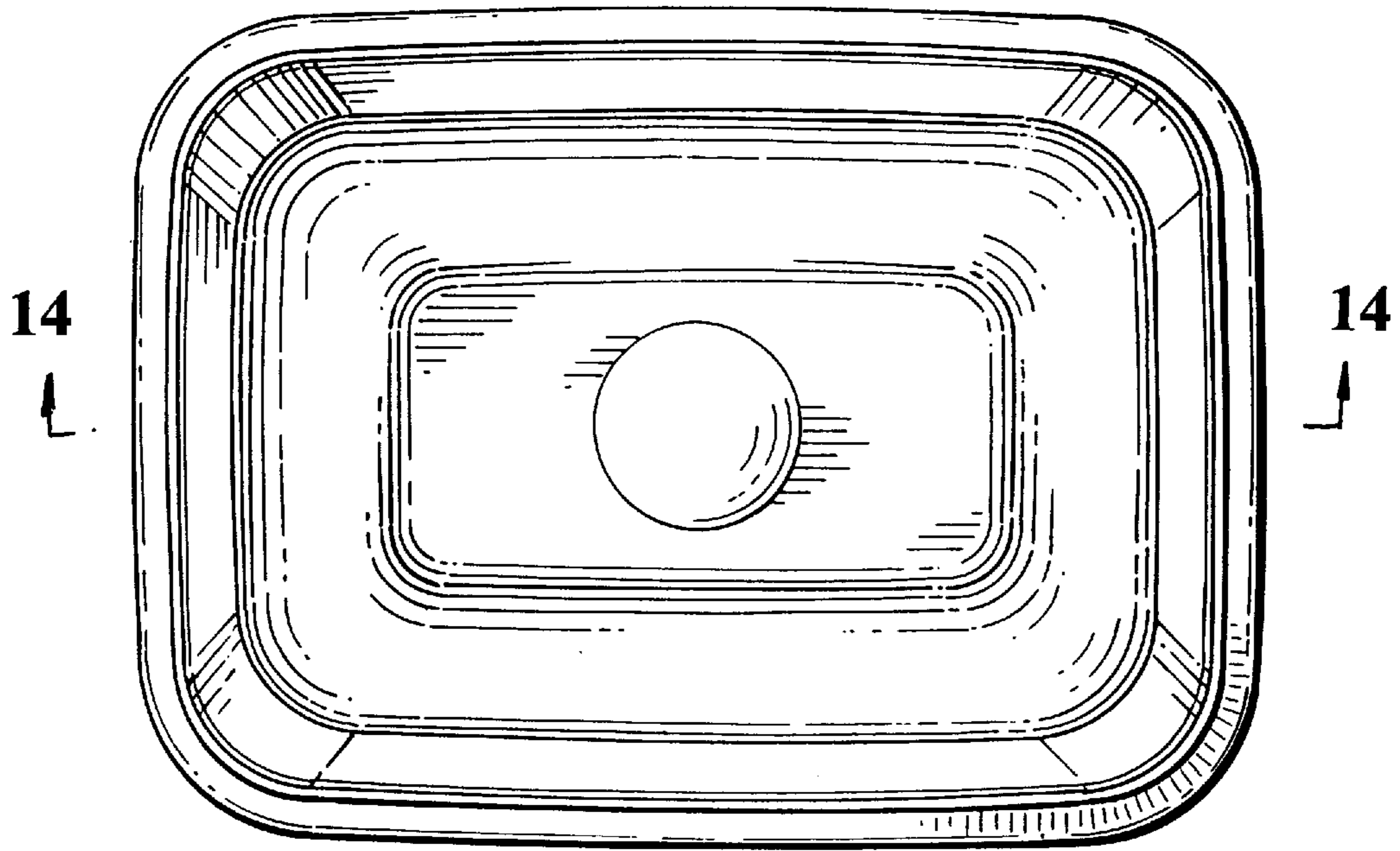


FIG. 10

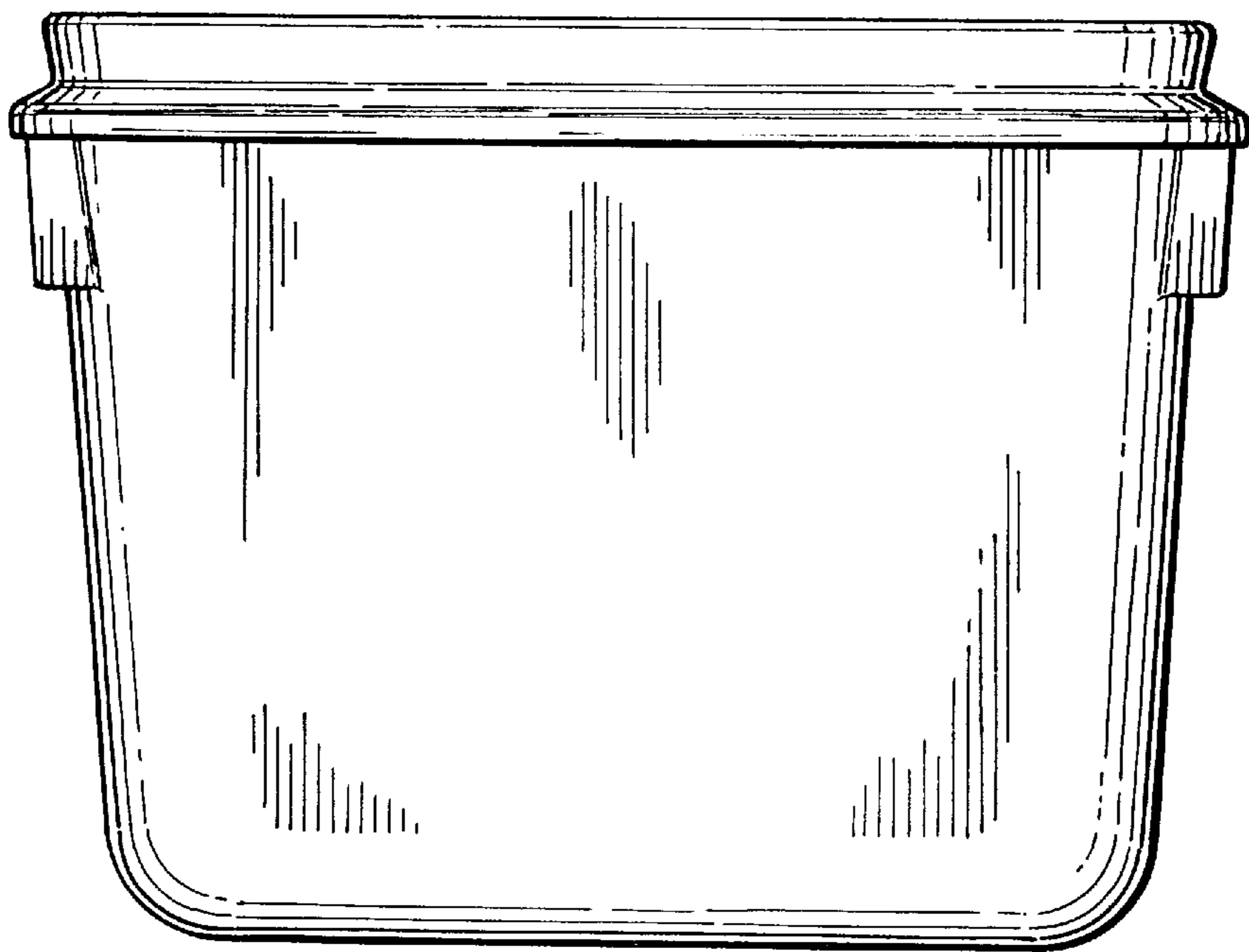


FIG. 11

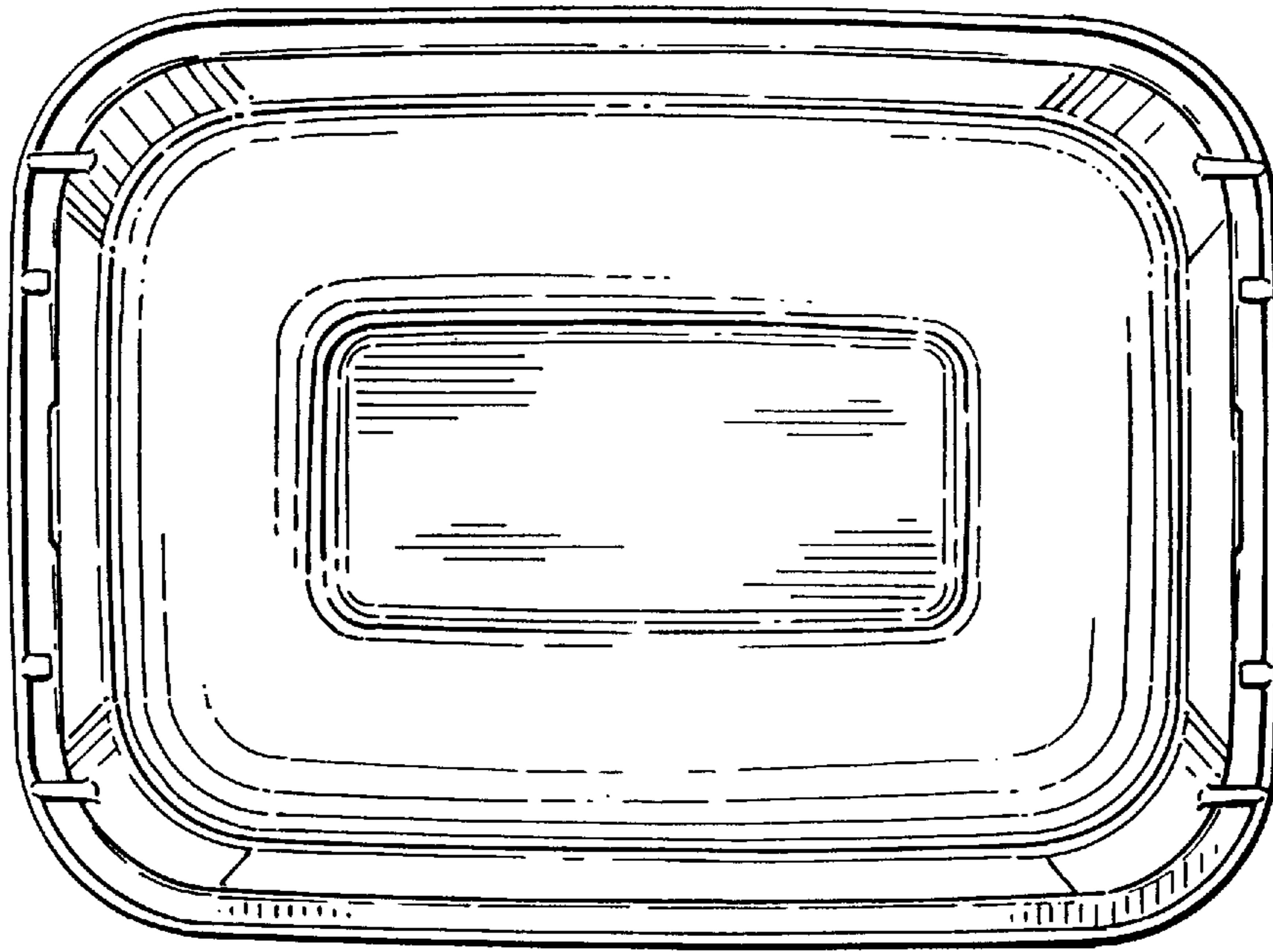


FIG. 12

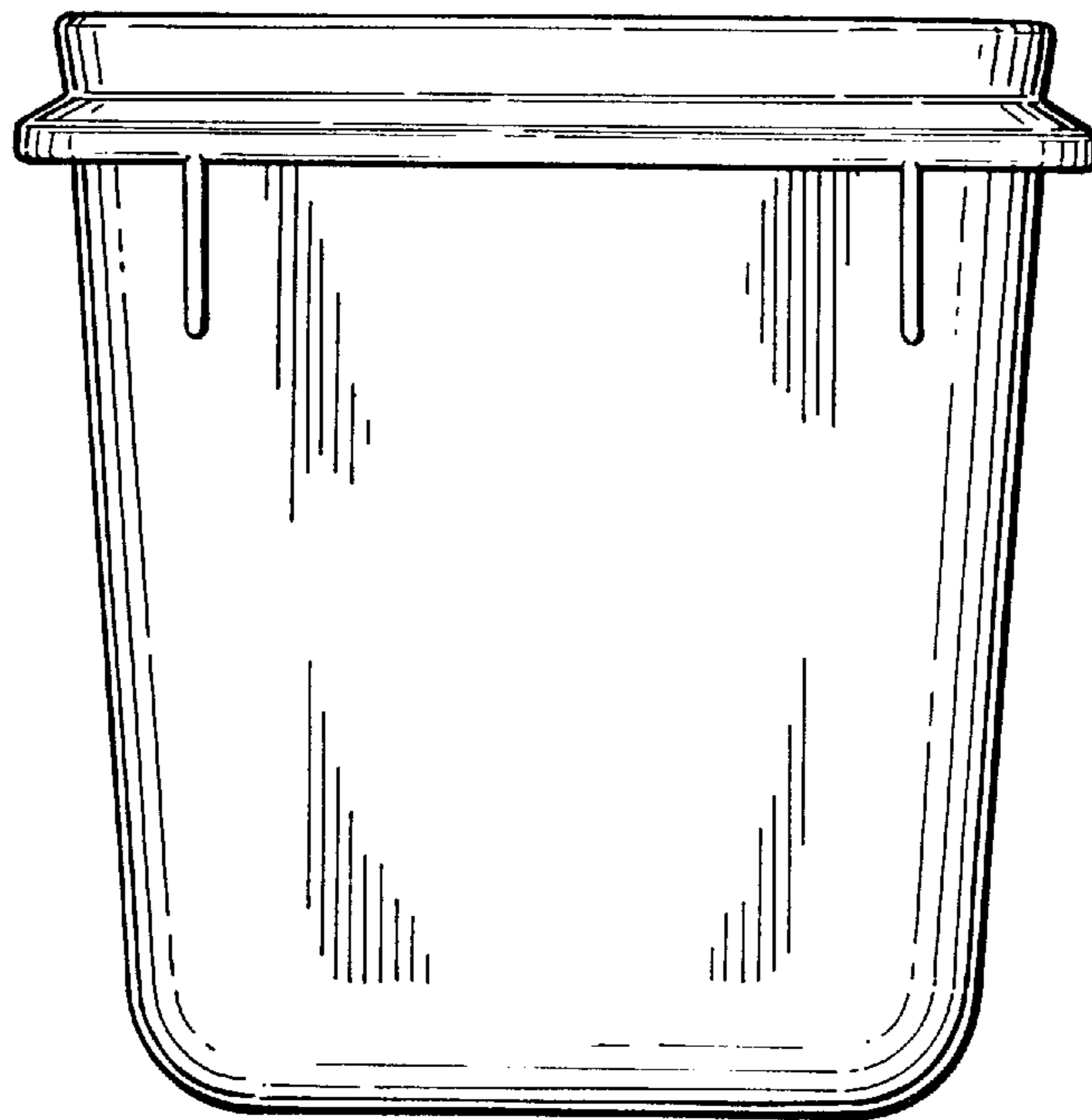


FIG. 13

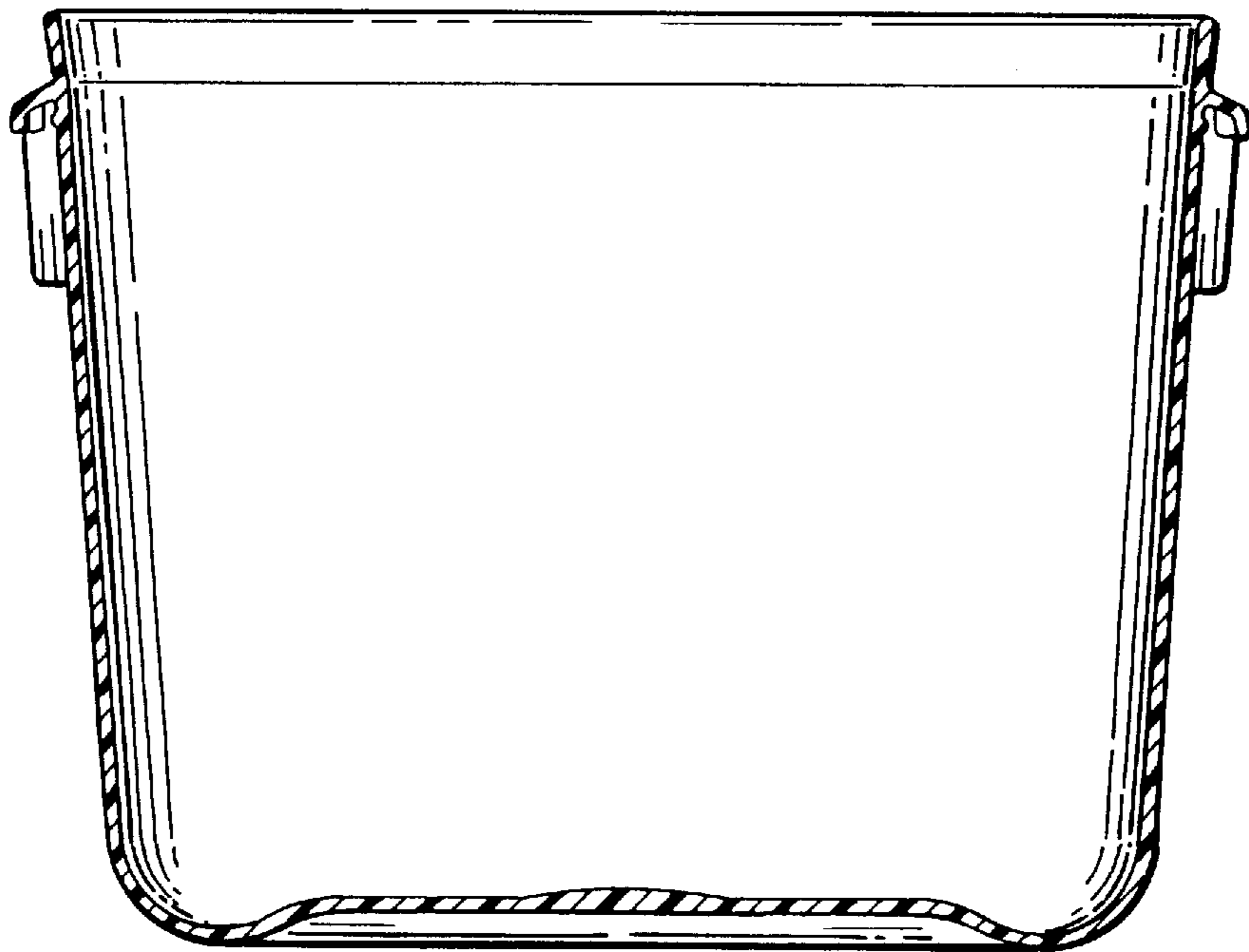


FIG. 14