



US00D403922S

United States Patent [19]

Terracciano et al.

[11] **Patent Number: Des. 403,922**

[45] **Date of Patent: **Jan. 12, 1999**

[54] **THERMAL CONTAINER**

[75] Inventors: **Simone Terracciano**, Milan; **Stefano Benedetto Terracciano**, Buccinasco, both of Italy

[73] Assignee: **Ater S.r.l.**, Colazza, Italy

[**] Term: **14 Years**

[21] Appl. No.: **73,145**

[22] Filed: **Jul. 1, 1997**

[30] **Foreign Application Priority Data**

Jun. 10, 1997 [IT] Italy BS97 0 0014

[51] **LOC (6) Cl.** **07-01**

[52] **U.S. Cl.** **D7/542; D7/538; D7/360**

[58] **Field of Search** D7/540, 511, 586, D7/543, 566, 568, 570, 584, 587, 538, 542, 545, 548, 550, 565, 354, 360, 602, 608, 614; 220/574, 606, 212

[56] **References Cited**

U.S. PATENT DOCUMENTS

D. 173,094 9/1954 Schreckengost D7/360

D. 187,995 5/1960 Loewy D7/360
D. 206,452 12/1966 Latham D7/542
D. 326,797 6/1992 Pomroy et al. D7/538
D. 341,990 12/1993 Yim D7/354

Primary Examiner—M. N. Pandozzi
Attorney, Agent, or Firm—McGlew and Tuttle

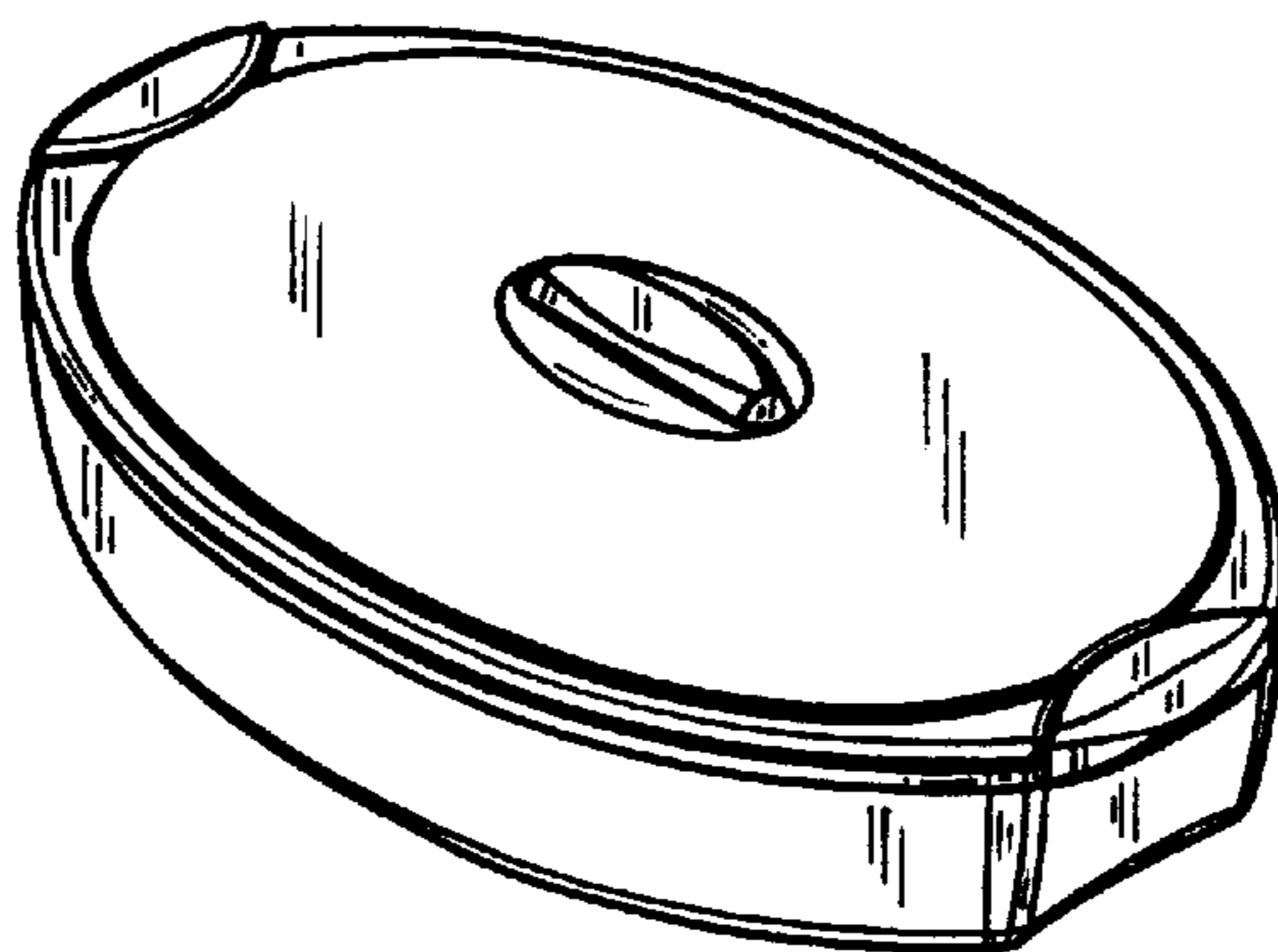
[57] **CLAIM**

The ornamental design for a thermal container, as shown and described.

DESCRIPTION

FIG. 1 is a perspective view of the thermal container;
FIG. 2 is a side view of the thermal container, the opposite side being mirror image thereof;
FIG. 3 is a top view of the thermal container;
FIG. 4 is a bottom view of the thermal container; and,
FIG. 5 is an end of the thermal container, the opposite side being mirror image thereof.

1 Claim, 1 Drawing Sheet



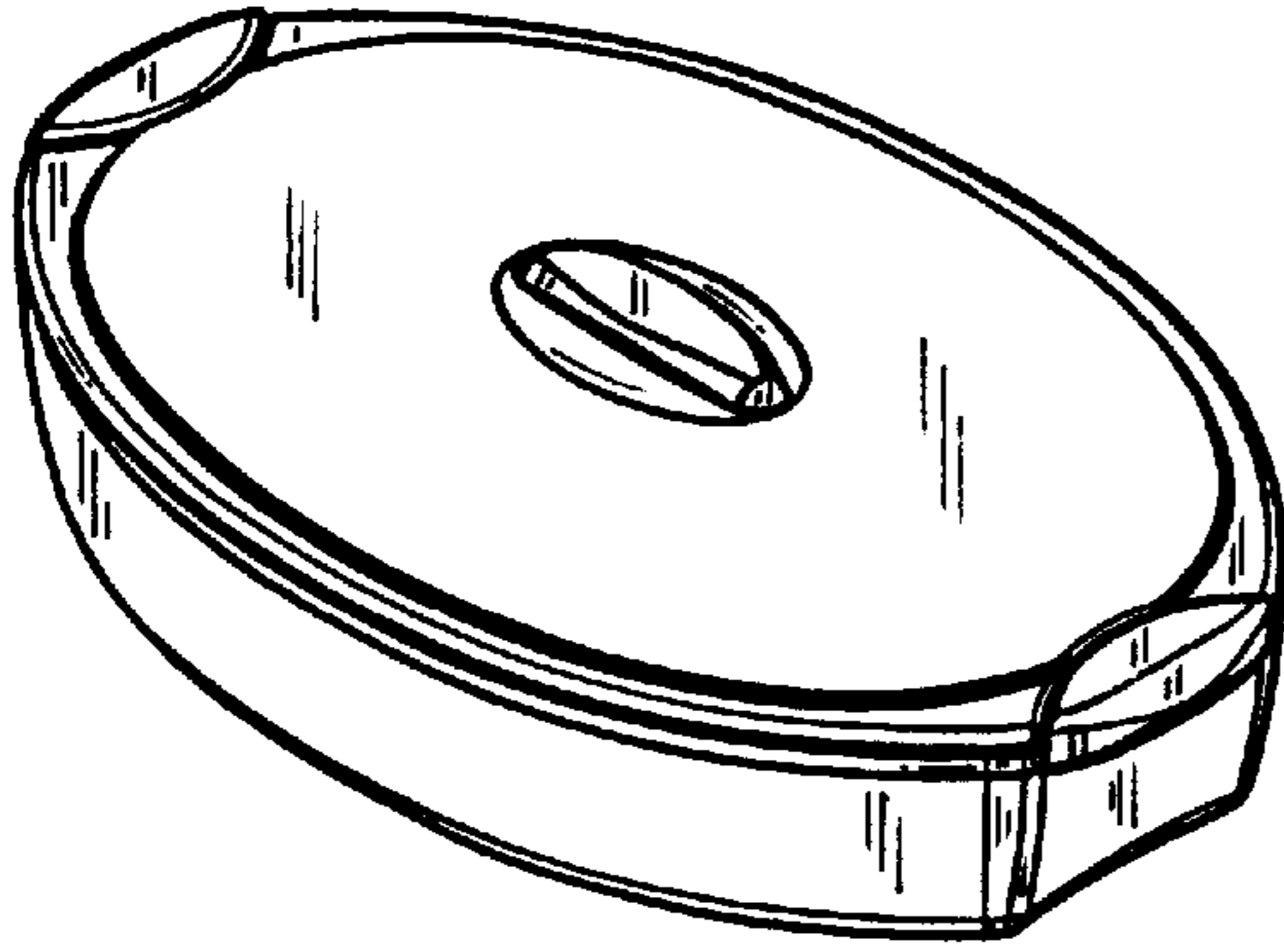


Fig. 1

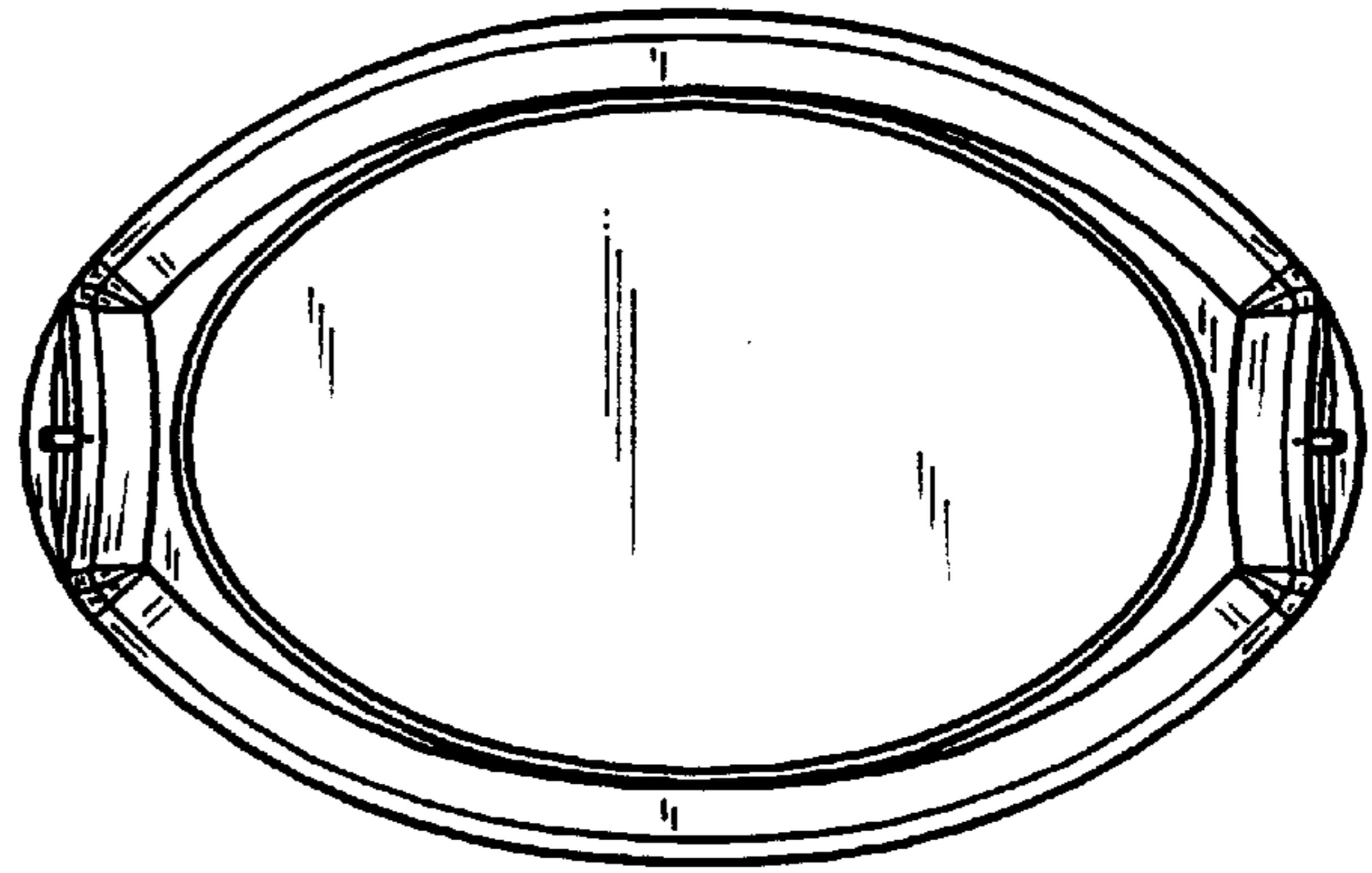


Fig. 2

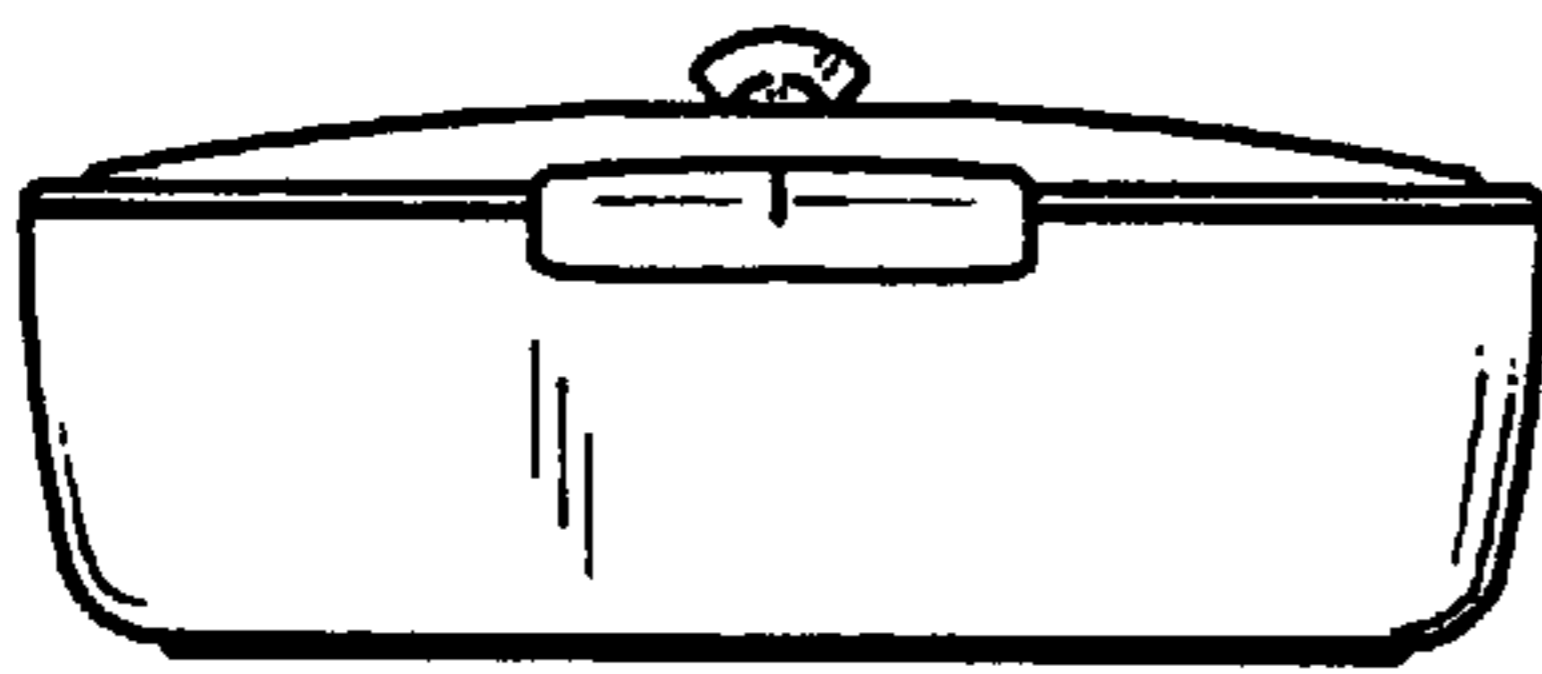


Fig. 5

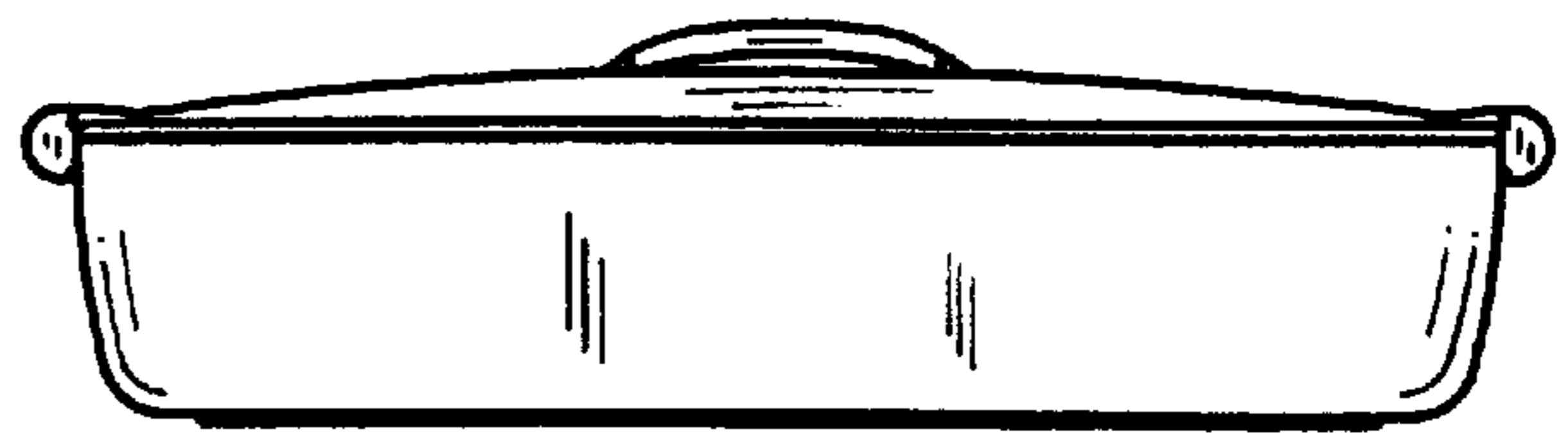


Fig. 3

