



US00D403919S

United States Patent [19] Battioli

[11] **Patent Number: Des. 403,919**

[45] **Date of Patent: **Jan. 12, 1999**

[54] **ROLL-A-WEINER**

[76] Inventor: **John F. Battioli**, 1201 W. Madison,
Herrin, Ill. 62948

[**] Term: **14 Years**

[21] Appl. No.: **26,654**

[22] Filed: **Aug. 2, 1994**

D. 286,256	10/1986	Jung	D7/334
D. 292,863	11/1987	Johansson .	
D. 336,593	6/1993	Yeuan	D7/402
3,329,082	7/1967	Satkunas .	
3,387,555	6/1968	Moran .	
3,943,837	3/1976	Trkla .	
4,483,241	11/1984	Vaughn	99/447
4,572,062	2/1986	Widdowson .	
4,882,985	11/1989	Beller .	
4,982,657	1/1991	Ghenic .	

Related U.S. Application Data

[63] Continuation of Ser. No. 9,233, Jun. 10, 1993, abandoned.

[51] **LOC (6) Cl.** **07-02**

[52] **U.S. Cl.** **D7/402**

[58] **Field of Search** D7/332-338, 402-404,
D7/406, 409; 99/419, 421 R, 421 A, 421 HV,
421 HH, 421 TP, 421 V; 126/25 R, 25 A,
25 AA, 26, 9, 40, 41 R, 41 A, 41 B

[56] References Cited

U.S. PATENT DOCUMENTS

D. 211,618	7/1968	Koziol	D7/409
D. 261,092	10/1981	Menard	D79/409
D. 262,347	12/1981	Bourne et al.	D7/409

Primary Examiner—Ruth McInroy

[57] CLAIM

The ornamental design for a roll-a-weiner, as shown and described.

DESCRIPTION

FIG. 1 is a front elevational view of the roll-a-weiner showing my new design;
 FIG. 2 is a rear elevational view thereof;
 FIG. 3 is a left side elevational view thereof;
 FIG. 4 is a right side elevational view thereof;
 FIG. 5 is a top plan view thereof; and,
 FIG. 6 is a bottom plan view thereof; and,
 FIG. 7 is an isometric view thereof.

1 Claim, 4 Drawing Sheets

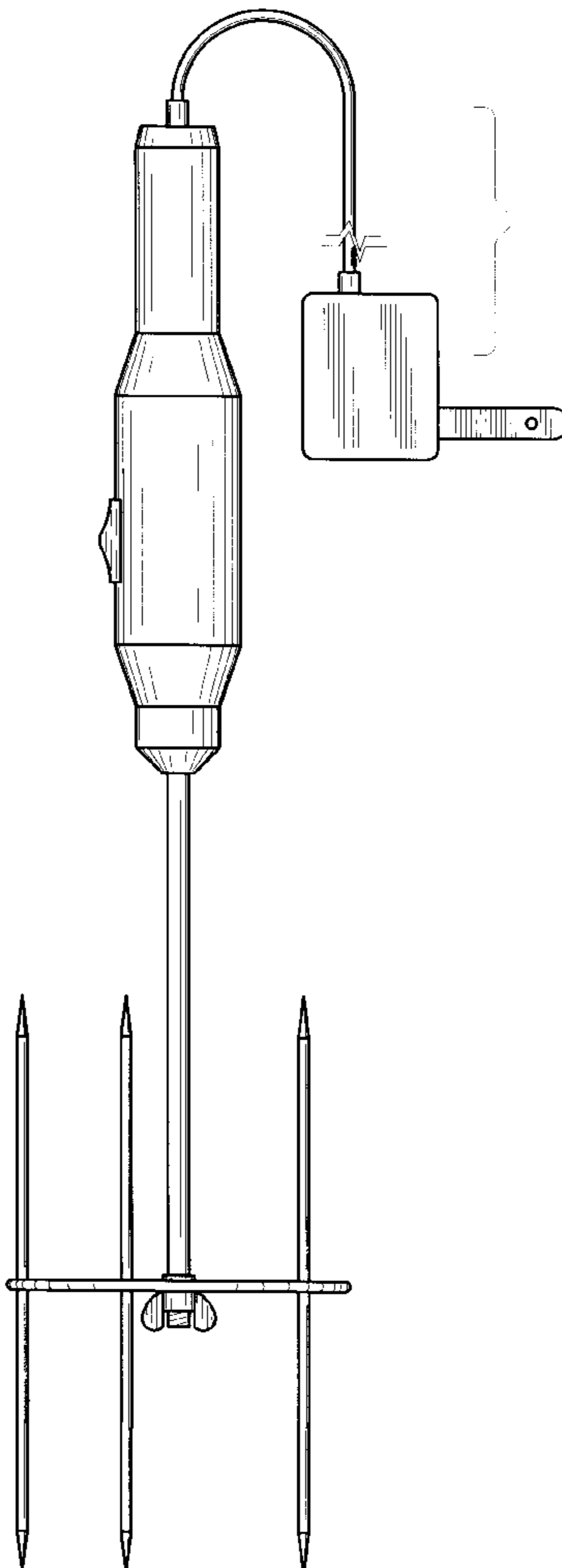


FIG. 1

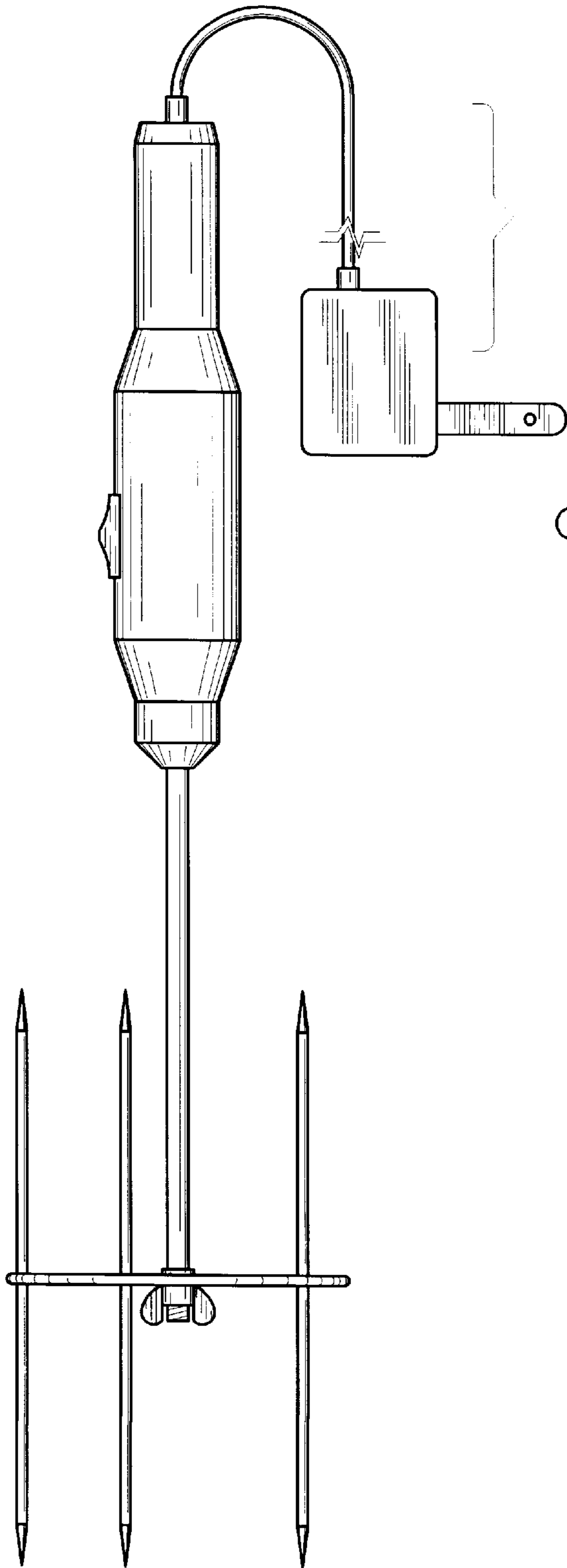


FIG. 2

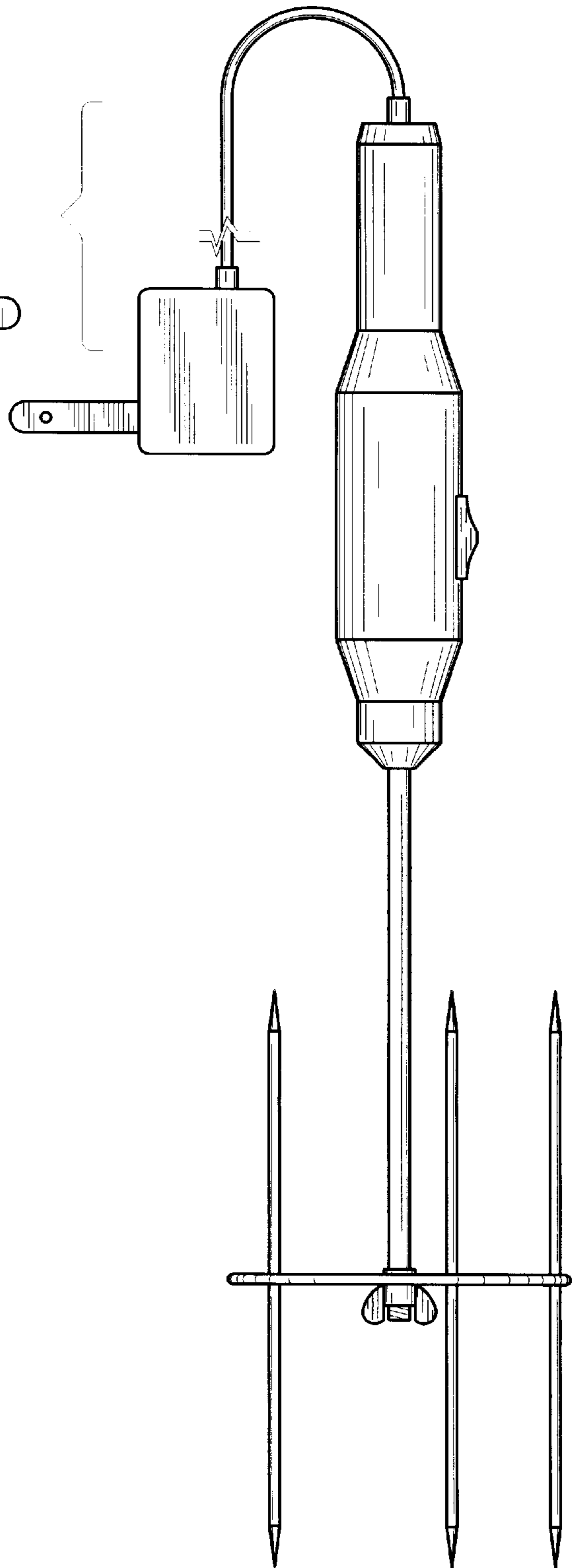


FIG. 3

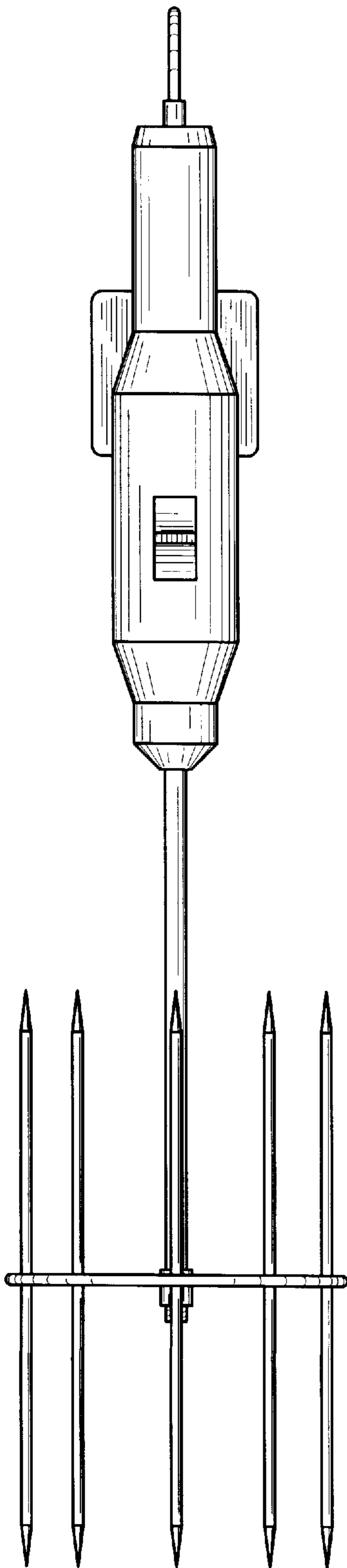


FIG. 4

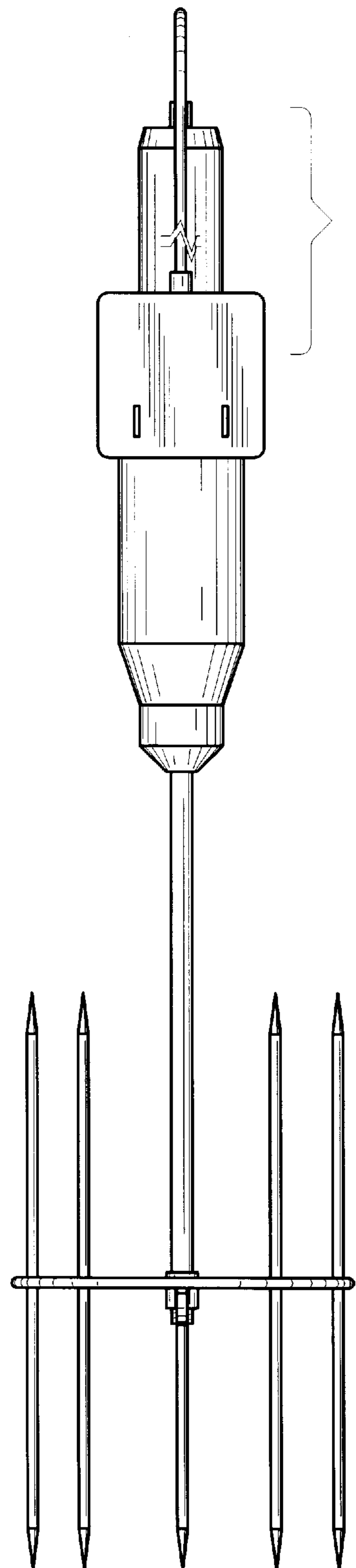


FIG. 5

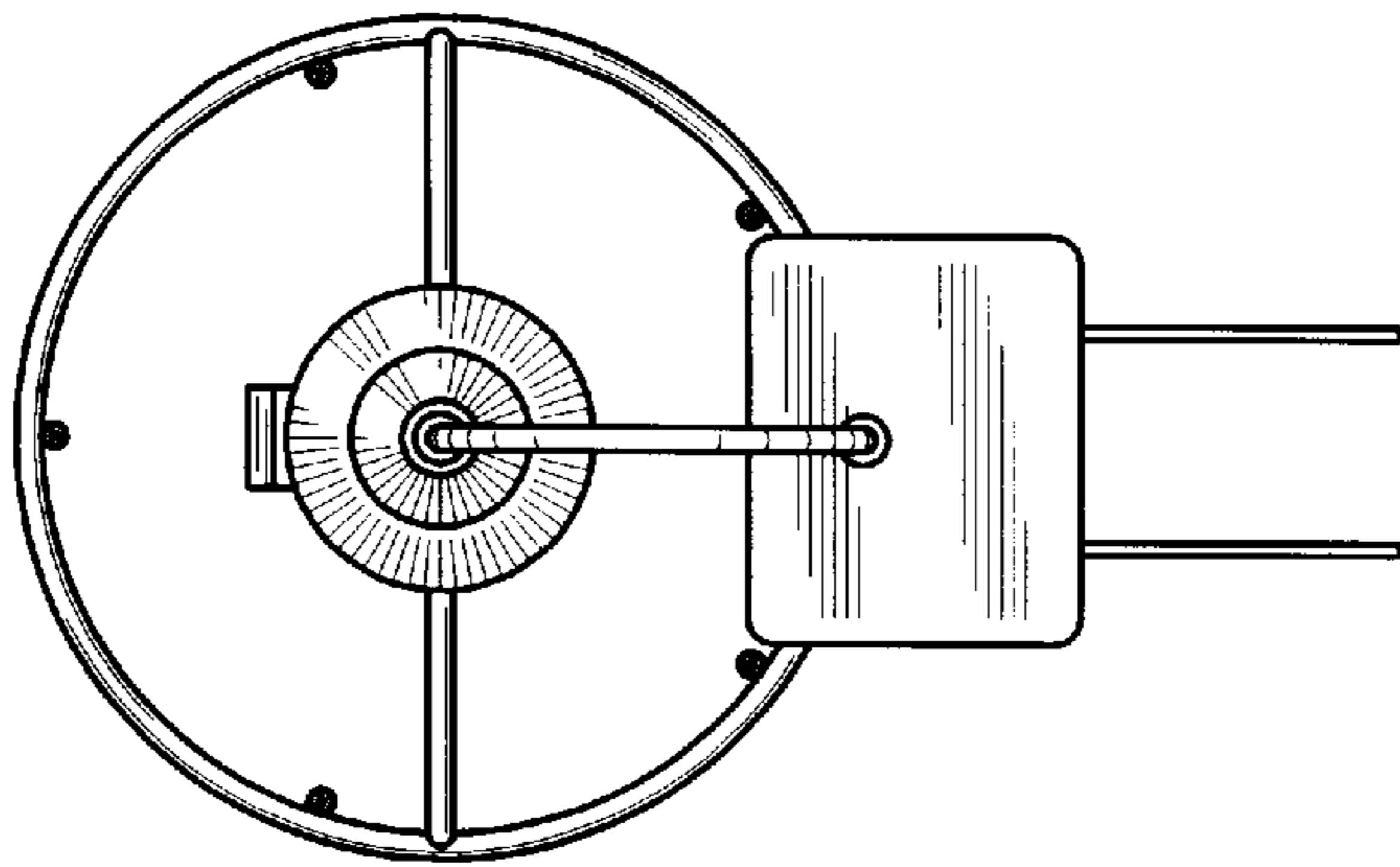


FIG. 6

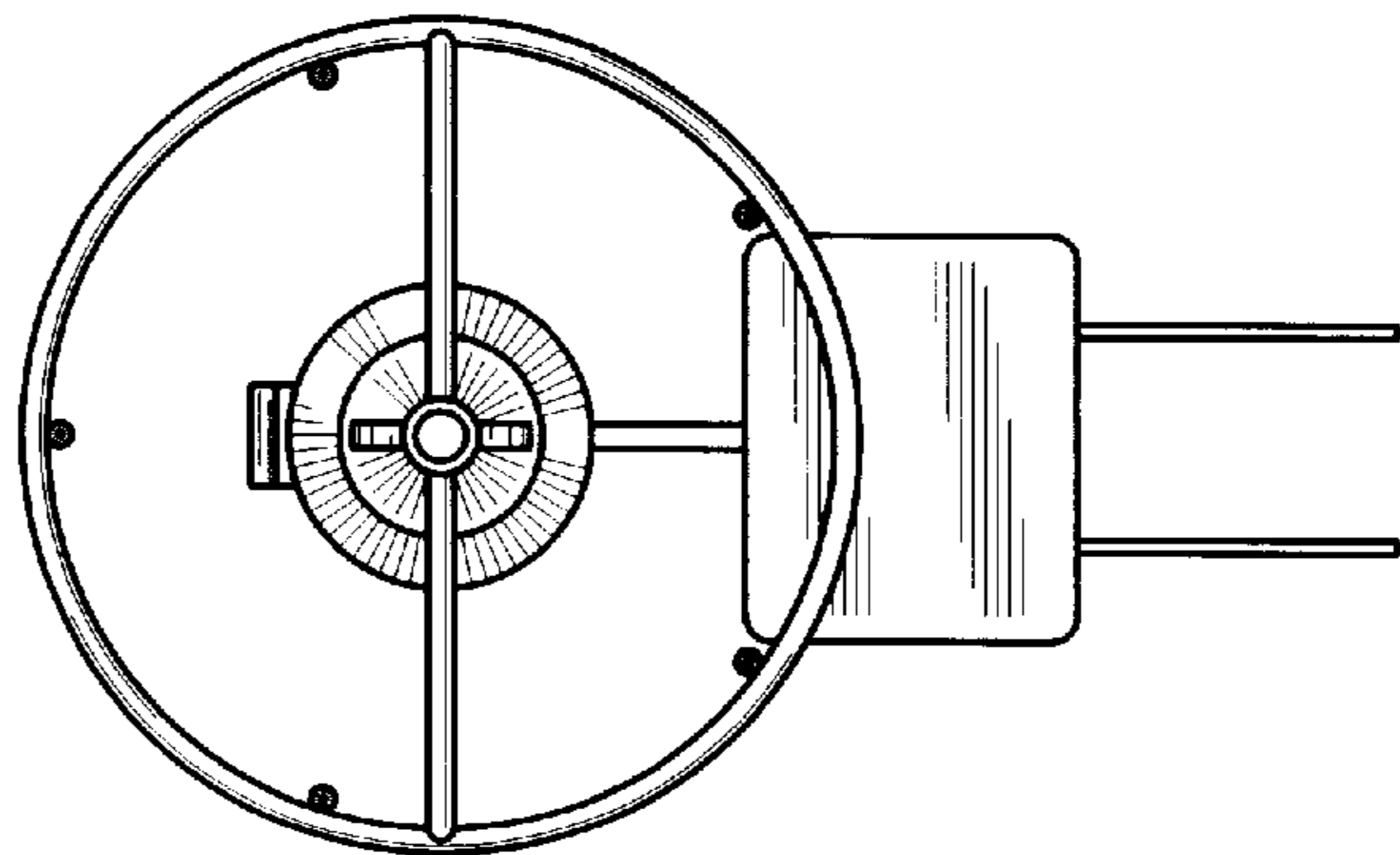


FIG. 7

