



US00D403914S

# United States Patent [19] Man

[11] **Patent Number: Des. 403,914**

[45] **Date of Patent: \*\*Jan. 12, 1999**

[54] **BOOK/CD RACK**

[75] **Inventor: Arthur Fuk Cheong Man, Hong Kong, Hong Kong**

[73] **Assignee: Verifan Limited, Hong Kong, Hong Kong**

[\*\*] **Term: 14 Years**

[21] **Appl. No.: 78,522**

[22] **Filed: Oct. 29, 1997**

[51] **LOC (6) Cl. .... 06-04**

[52] **U.S. Cl. .... D6/629; D6/468; D19/90**

[58] **Field of Search** ..... D6/407, 626-630, D6/462-468, 410, 411, 429, 430; 312/9.1-9.64; D32/55, 58; 211/40, 41.1, 41.2, 41.3, 41.4, 42, 41.12, 37, 41.18, 34; 206/307.1, 307, 308.1, 445, 387.15, 454, 387.1; D19/90, 92

[56] **References Cited**

**U.S. PATENT DOCUMENTS**

D. 136,810	12/1943	Rauch	.....	D6/407
D. 281,658	12/1985	Kikutani	.....	D6/407
D. 301,813	6/1989	Manhart	.....	D6/467
D. 309,524	7/1990	Egly et al.	.....	D6/629
D. 318,766	8/1991	Chow	.....	D6/407
D. 386,324	11/1997	Degen	.....	D6/420
D. 395,569	6/1998	Hamada	.....	D6/629
4,257,524	3/1981	Yonkers et al.	.....	206/387.15

4,476,985	10/1984	Norberg et al.	.....	D6/468 X
4,684,027	8/1987	Wright	.....	211/40
4,723,662	2/1988	Johnson	.....	312/9.53

**OTHER PUBLICATIONS**

Attitudes Magazine, p. 19, CD storage unit in upper right corner #r2508, Oct. 1995.

*Primary Examiner*—Jeffrey Asch  
*Attorney, Agent, or Firm*—Alix, Yale & Ristas, LLP

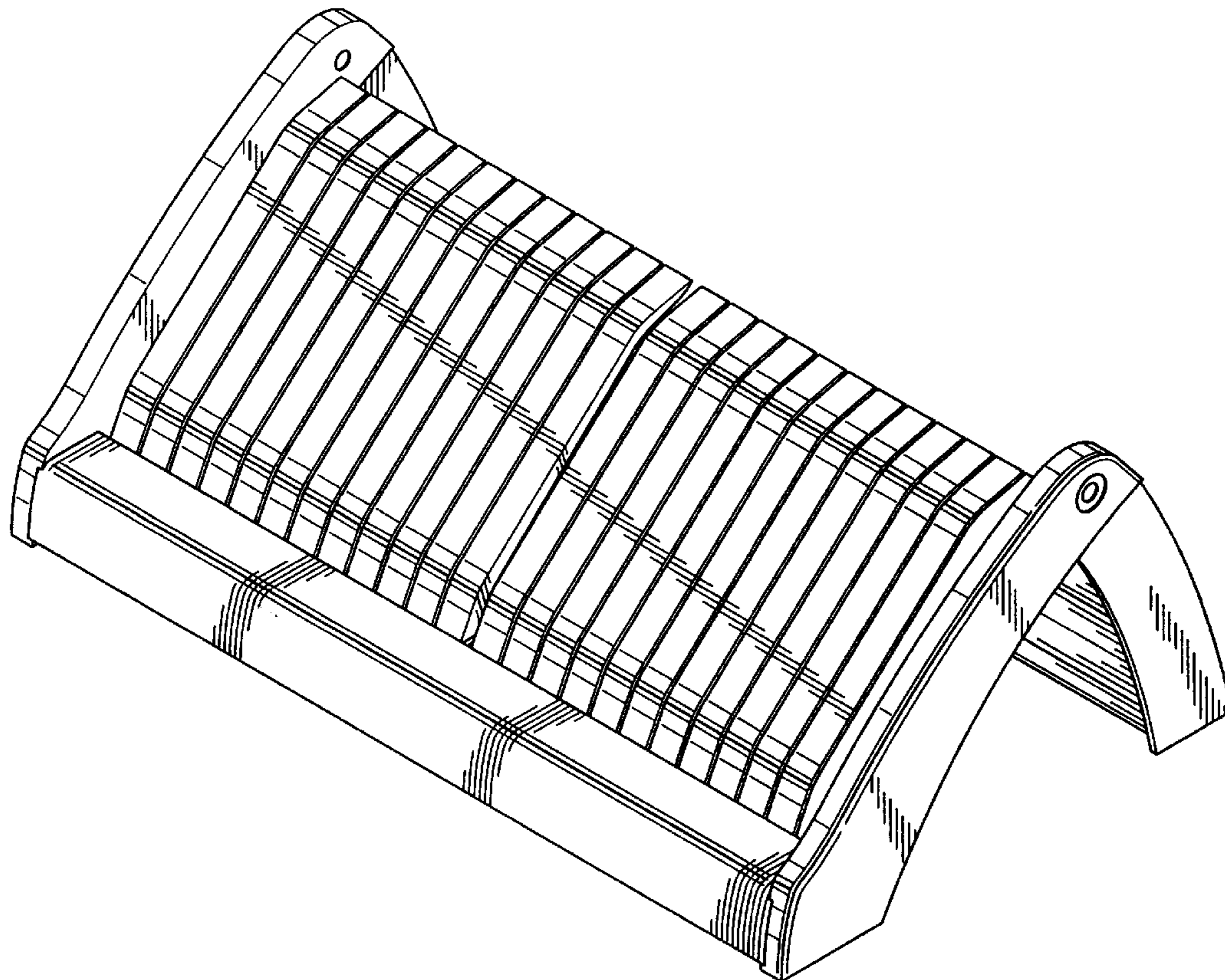
[57] **CLAIM**

The ornamental design for a book/CD rack, as shown and described.

**DESCRIPTION**

FIG. 1 is a perspective view of the book/CD rack of the invention;  
 FIG. 2 is a perspective view of the book/CD rack of FIG. 1 in a storage position;  
 FIG. 3 is a front elevation view of the book/CD rack of FIG. 1;  
 FIG. 4 is a rear elevation view of the book/CD rack of FIG. 1;  
 FIG. 5 is a side view from the left of the book/CD rack of FIG. 1;  
 FIG. 6 is a side view from the right of the book/CD rack of FIG. 1;  
 FIG. 7 is a top plan view of the book/CD rack of FIG. 1; and,  
 FIG. 8 is a bottom plan view of the book/CD rack of FIG. 1.

**1 Claim, 6 Drawing Sheets**



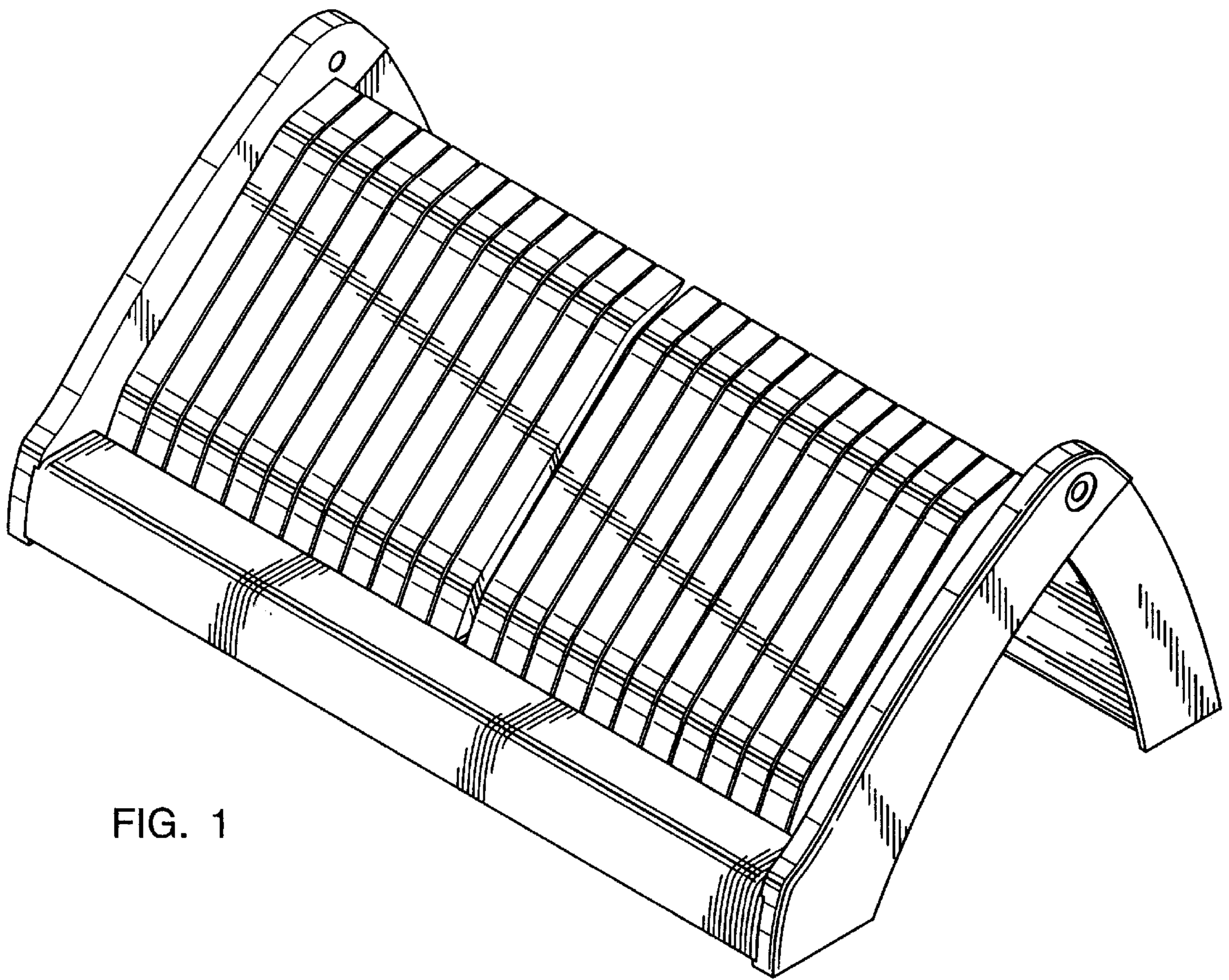


FIG. 1

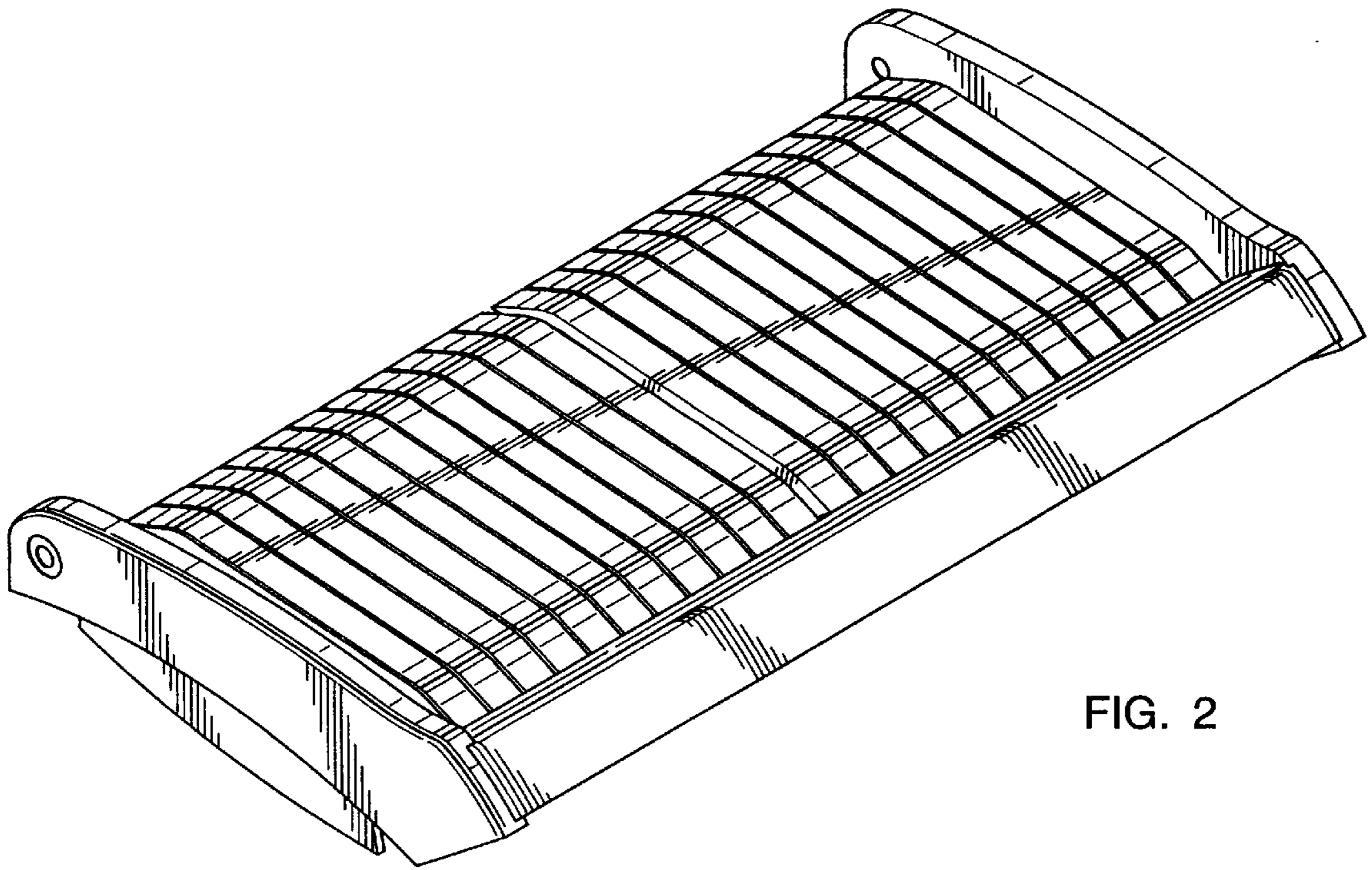


FIG. 2

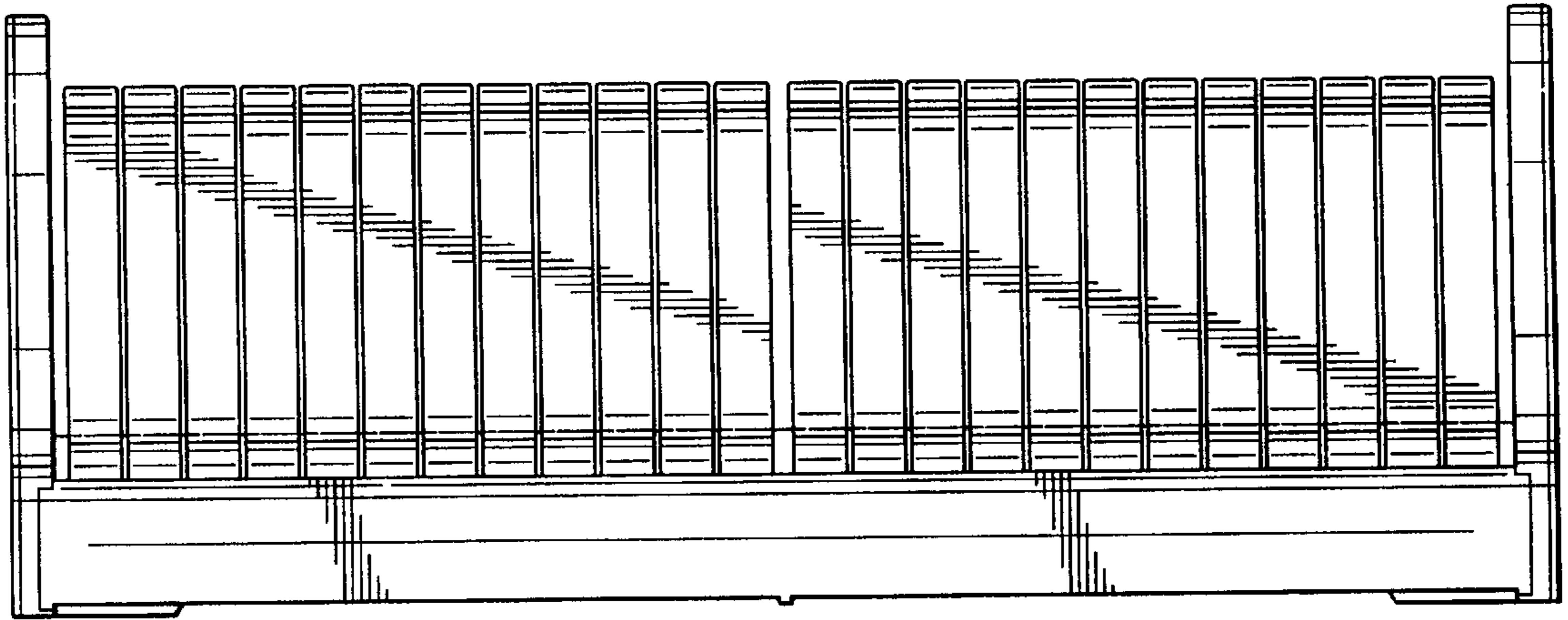


FIG. 3

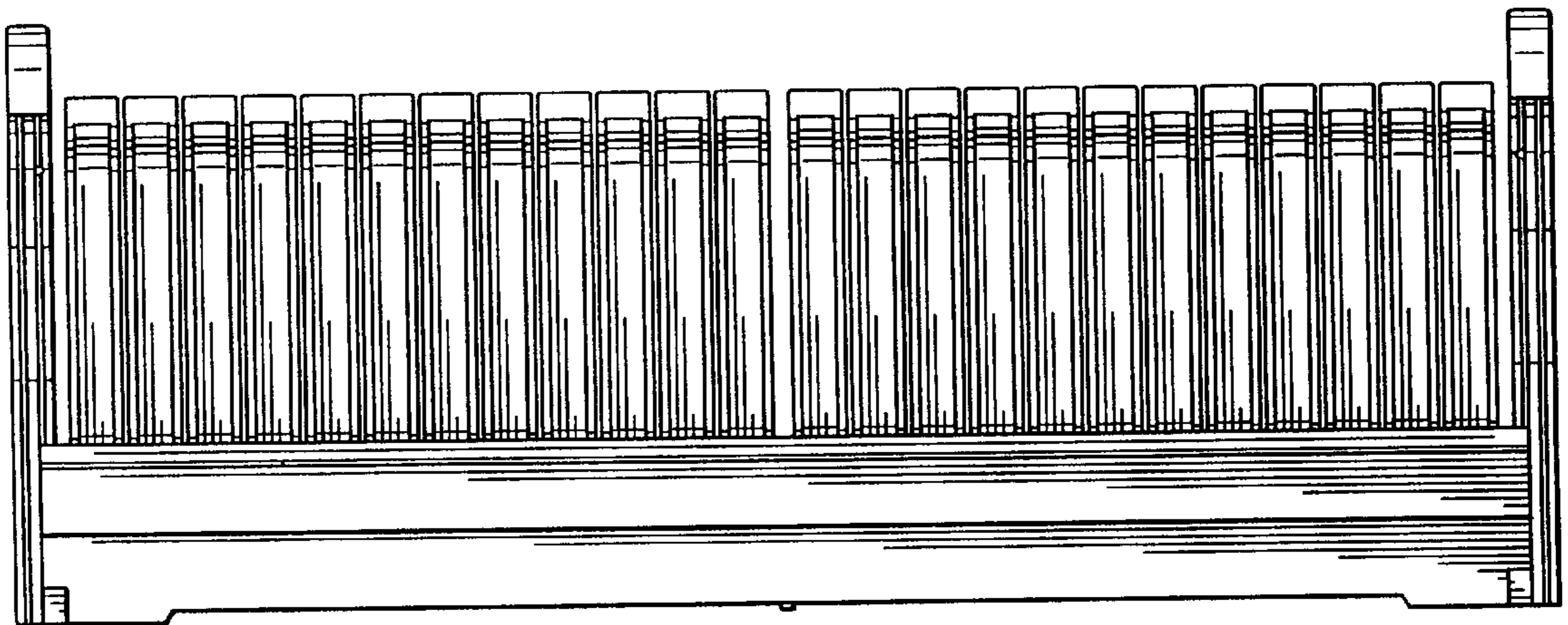


FIG. 4

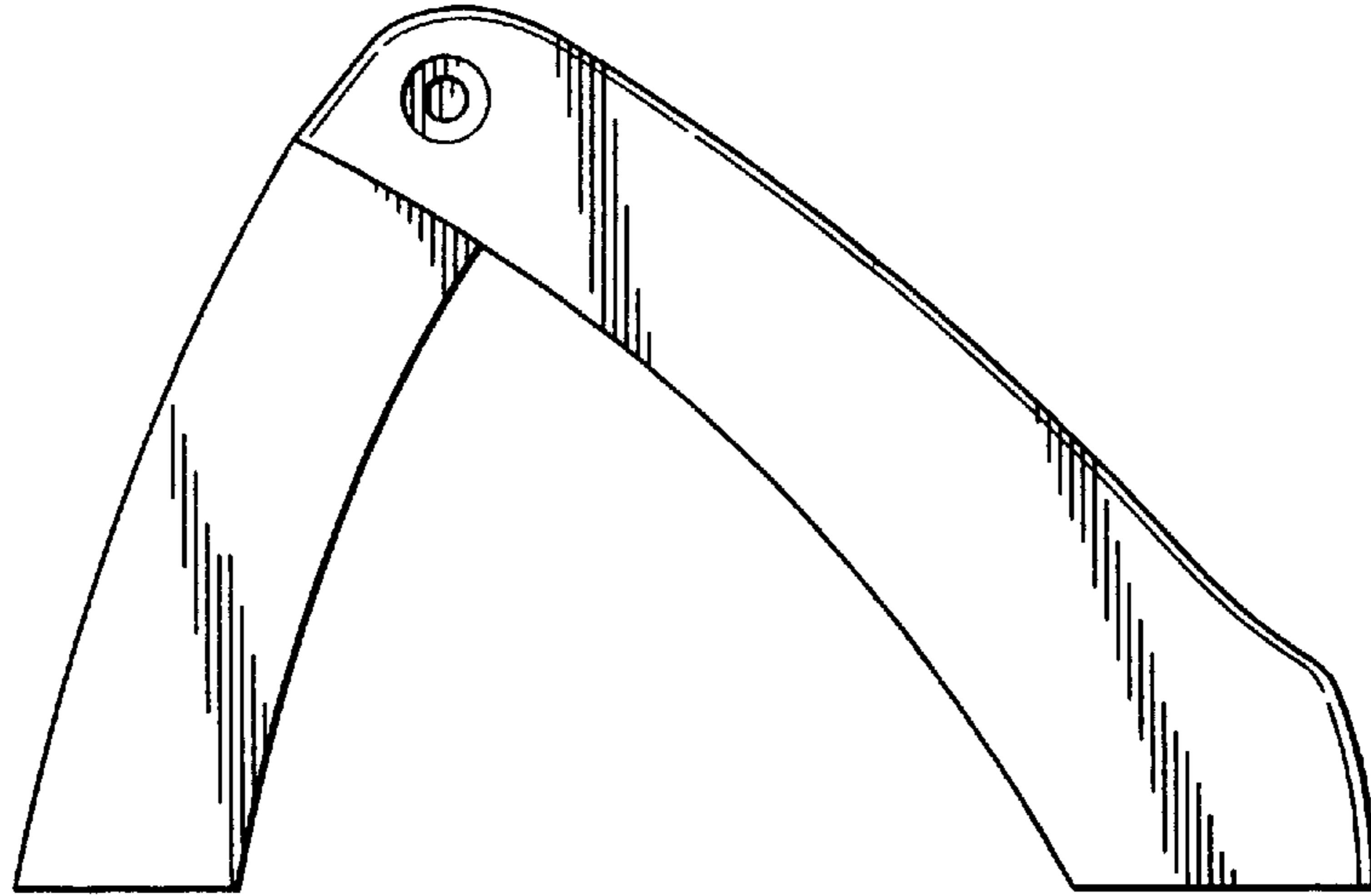


FIG. 5

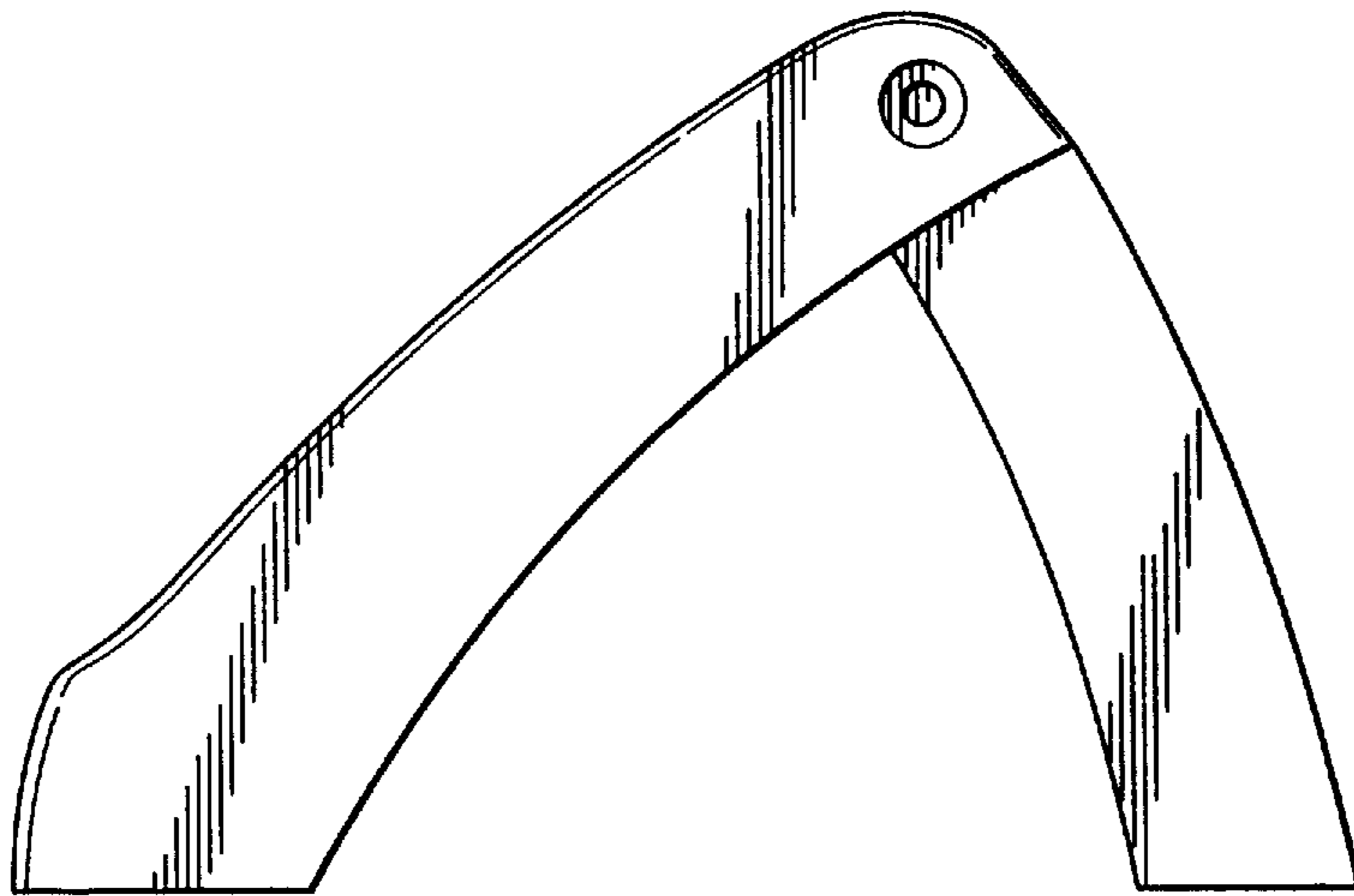


FIG. 6

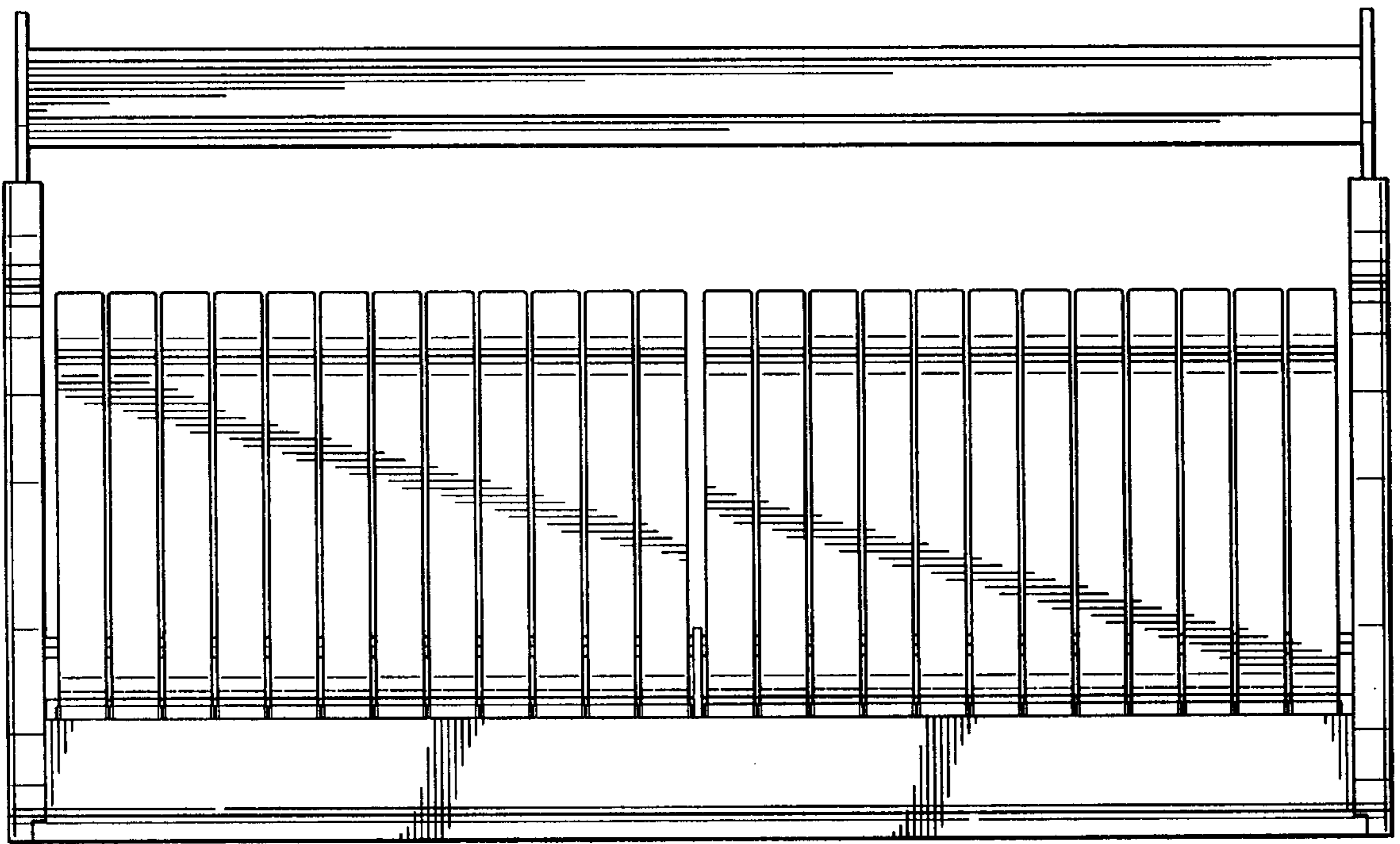


FIG. 7

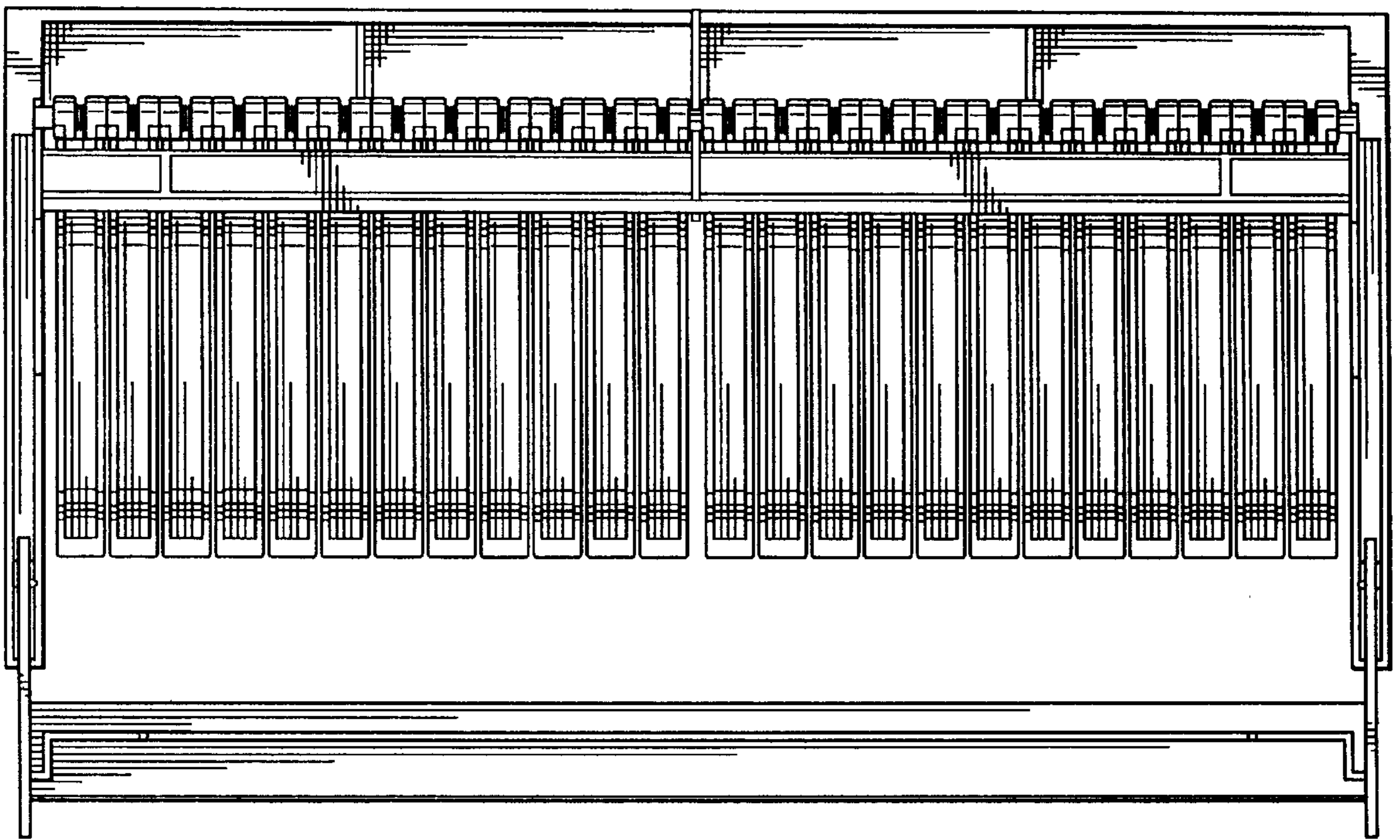


FIG. 8