

US00D403911S

United States Patent [19]
Wang

[11] **Patent Number: Des. 403,911**

[45] **Date of Patent: **Jan. 12, 1999**

[54] **PAD**

[76] Inventor: **Ta-Chin Wang**, No. 269, Sec. 2, Anho Rd., Tainan, Taiwan

[**] Term: **14 Years**

[21] Appl. No.: **80,447**

[22] Filed: **Dec. 10, 1997**

[51] **LOC (6) Cl.** **06-11**

[52] **U.S. Cl.** **D6/582**

[58] **Field of Search** D6/582, 583, 595, D6/596; 5/417-420; 15/215, 216, 217

[56] **References Cited**

U.S. PATENT DOCUMENTS

5,018,235 5/1991 Stamation et al. 15/215

FOREIGN PATENT DOCUMENTS

77824 5/1984 Japan D6/582

Primary Examiner—Lisa Lichtenstein

Attorney, Agent, or Firm—Rosenberg, Klein & Bilker

[57] **CLAIM**

The ornamental design for a pad, as shown.

DESCRIPTION

FIG. 1 is a perspective view of a pad showing my new design thereof;

FIG. 2 is a front view thereof;

FIG. 3 is a rear view thereof;

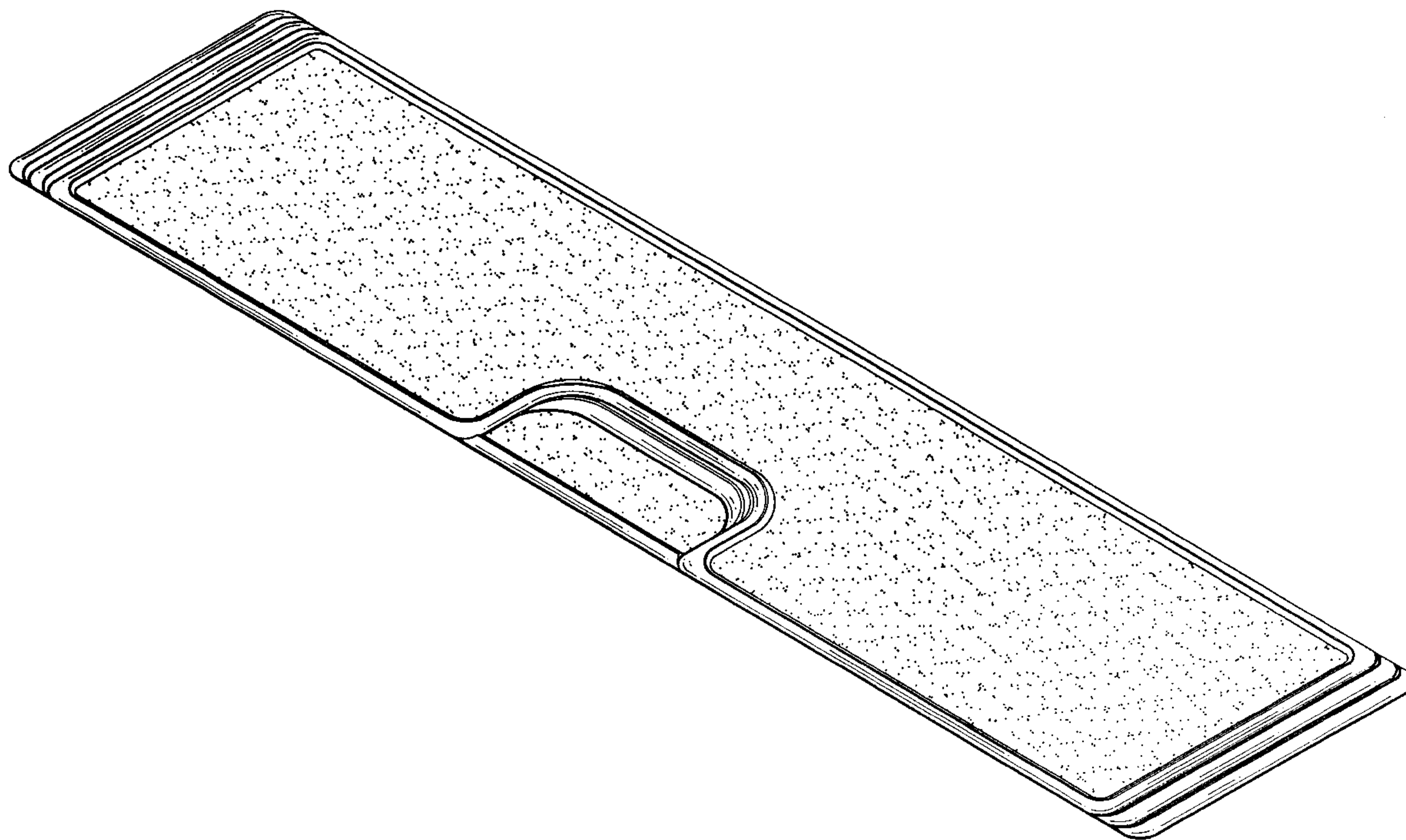
FIG. 4 is a left side view thereof;

FIG. 5 is a right side view thereof;

FIG. 6 is a top view thereof; and,

FIG. 7 is a bottom view thereof.

1 Claim, 3 Drawing Sheets



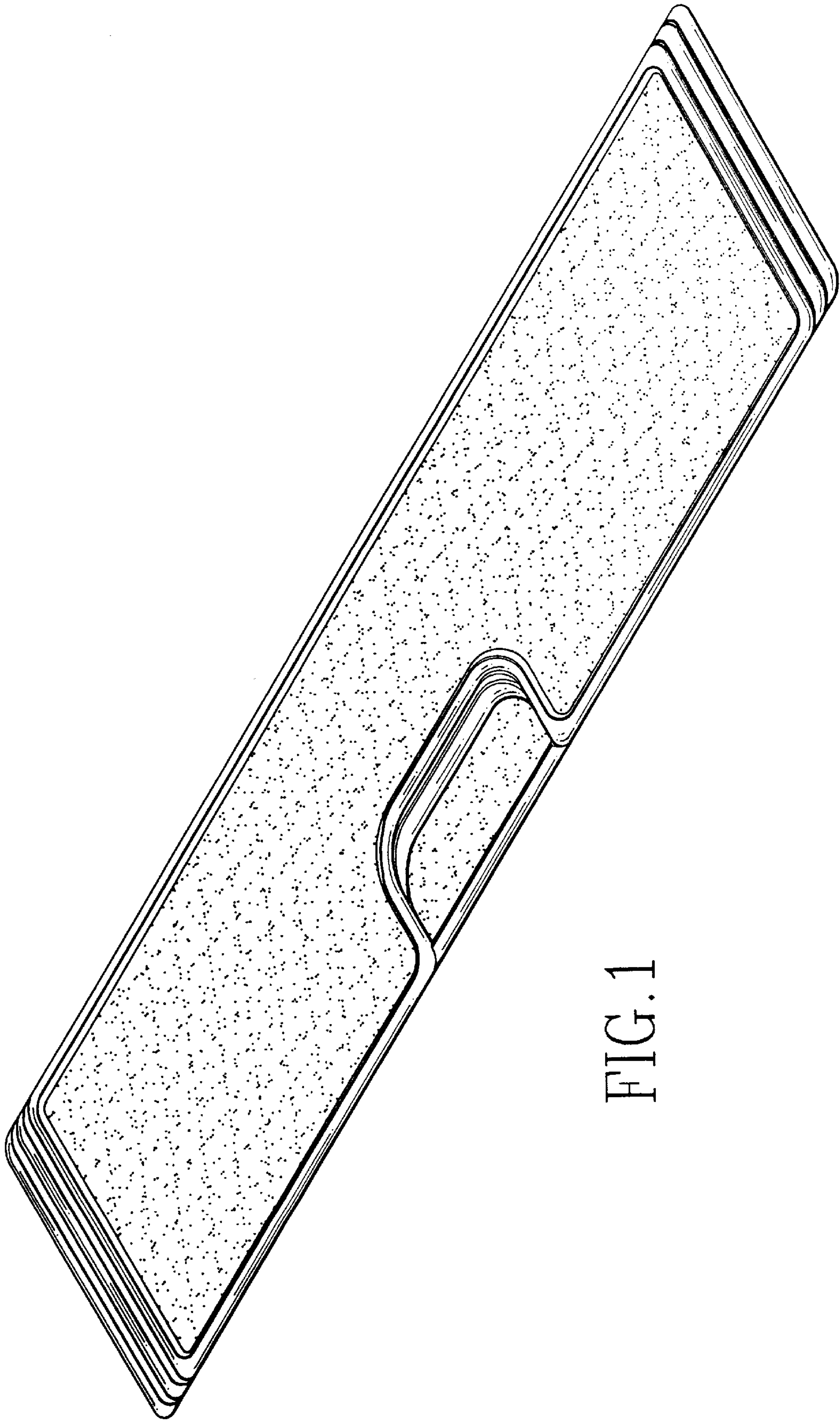


FIG. 1



FIG. 2



FIG. 3



FIG. 4



FIG. 5

FIG. 6

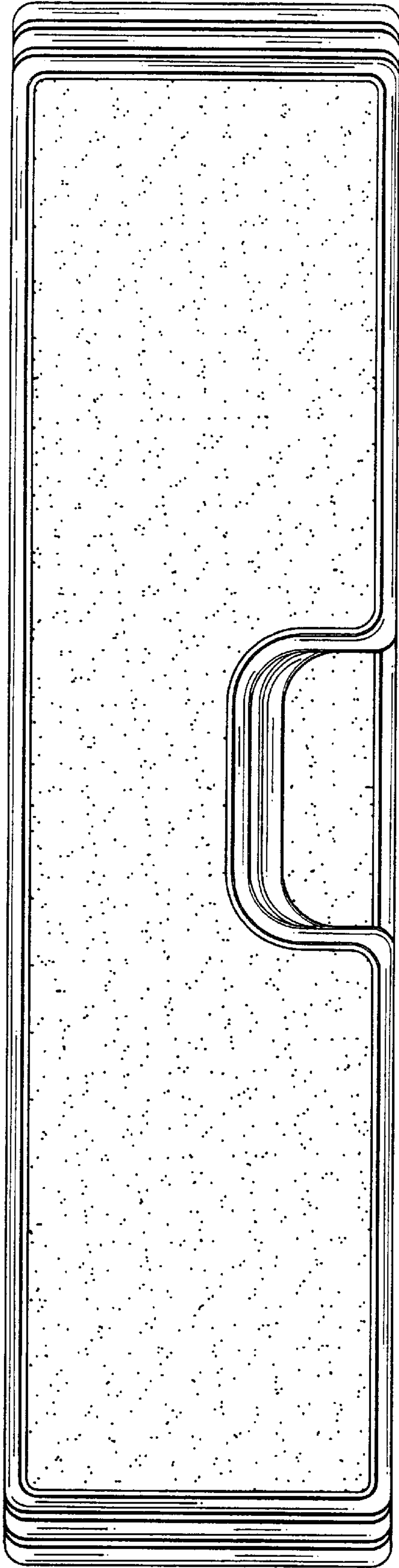


FIG. 7

