



US00D403910S

# United States Patent [19] Anderson

[11] **Patent Number: Des. 403,910**  
[45] **Date of Patent: \*\*Jan. 12, 1999**

[54] **HEADRAIL FOR A VERTICAL VANE COVERING FOR ARCHITECTURAL OPENINGS**  
[75] Inventor: **Richard N. Anderson**, Whitesville, Ky.  
[73] Assignee: **Hunter Douglas Inc.**, Upper Saddle River, N.J.  
[\*\*] Term: **14 Years**

4,425,955 1/1984 Kaucic .  
4,628,981 12/1986 Ciriaci et al. .  
4,648,436 3/1987 Oskam .  
4,724,883 2/1988 Liebowitz .  
4,773,464 9/1988 Kobayashi .  
4,799,527 1/1989 Villoch et al. .  
4,869,309 9/1989 Evans .  
5,012,850 5/1991 Schrader .  
5,088,542 2/1992 Biba et al. .  
5,249,617 10/1993 Durig .  
5,289,863 3/1994 Schon .

[21] Appl. No.: **64,246**  
[22] Filed: **Sep. 30, 1996**  
[51] **LOC (6) Cl. .... 06-10**  
[52] **U.S. Cl. .... D6/580**  
[58] **Field of Search ..... D6/575, 576, 577-580;**  
**D25/55, 49; 160/19, 38, 39, 178.1, 310;**  
**D8/376, 377**

### FOREIGN PATENT DOCUMENTS

120425 10/1984 European Pat. Off. .  
159812 10/1985 European Pat. Off. .  
868961 5/1961 United Kingdom .  
1159635 7/1969 United Kingdom .  
1470533 4/1977 United Kingdom .  
DM15863 2/1990 WIPO .

### [56] **References Cited**

#### U.S. PATENT DOCUMENTS

D. 231,326 4/1974 Miki .  
D. 325,681 4/1992 Gartenamaier .  
D. 329,294 9/1992 Du Beau et al. .... D25/49  
D. 337,469 7/1993 Young et al. .... D6/580  
D. 345,498 3/1994 Fraser et al. .  
D. 355,093 2/1995 Morris ..... D6/580  
D. 355,094 2/1995 Josephson ..... D6/580  
D. 380,329 7/1997 Chou ..... D6/579  
2,621,723 12/1952 Etten .  
2,759,534 8/1956 Hariu .  
2,854,071 9/1958 Toti .  
2,876,834 3/1959 Walker .  
3,334,682 8/1967 Eldredge, Jr. .  
3,486,549 12/1969 Rosenquist .  
3,996,988 12/1976 de Wit .  
4,214,622 7/1980 Debs .  
4,267,875 5/1981 Koks .  
4,316,493 2/1982 Arena .  
4,361,179 11/1982 Benthin .  
4,381,029 4/1983 Ford et al. .  
4,386,644 6/1983 Debs .

*Primary Examiner*—James Gandy  
*Assistant Examiner*—Linda Brooks  
*Attorney, Agent, or Firm*—Dorsey & Whitney LLP

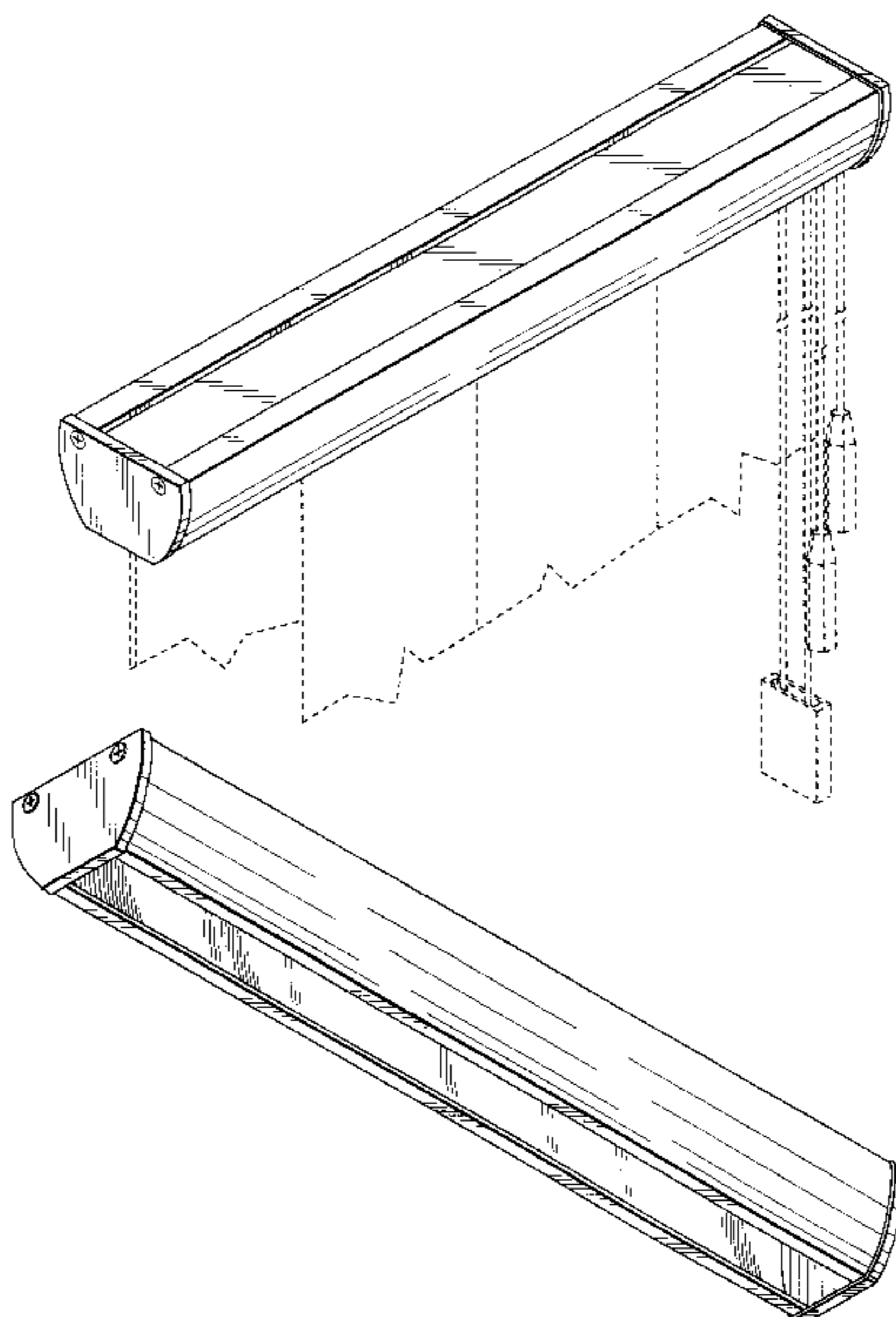
### [57] **CLAIM**

The ornamental design for a headrail for a vertical vane covering for architectural openings, as shown and described.

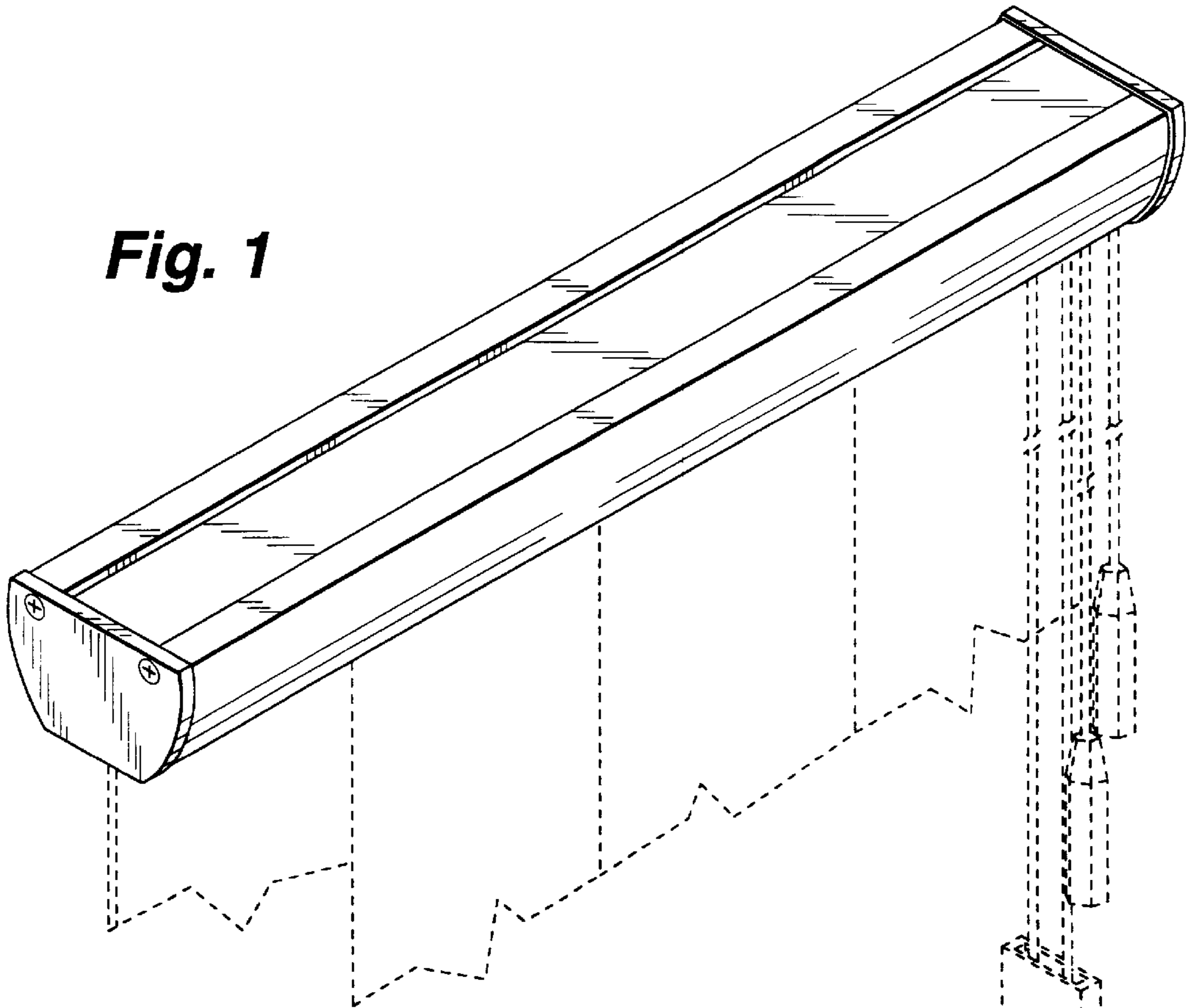
### **DESCRIPTION**

FIG. 1 is an isometric view looking downwardly at the headrail for a vertical vane covering for architectural openings;  
FIG. 2 is an isometric view similar to FIG. 1 looking upwardly;  
FIG. 3 is a top plan view thereof;  
FIG. 4 is a left end elevation thereof the right end being a mirror image;  
FIG. 5 is a front elevation thereof; and,  
FIG. 6 is a bottom plan view thereof.  
The broken lines showing suspended vanes, control cords and parts of a control system in FIG. 1 are for illustrative purposes only and form no part of the claimed design.

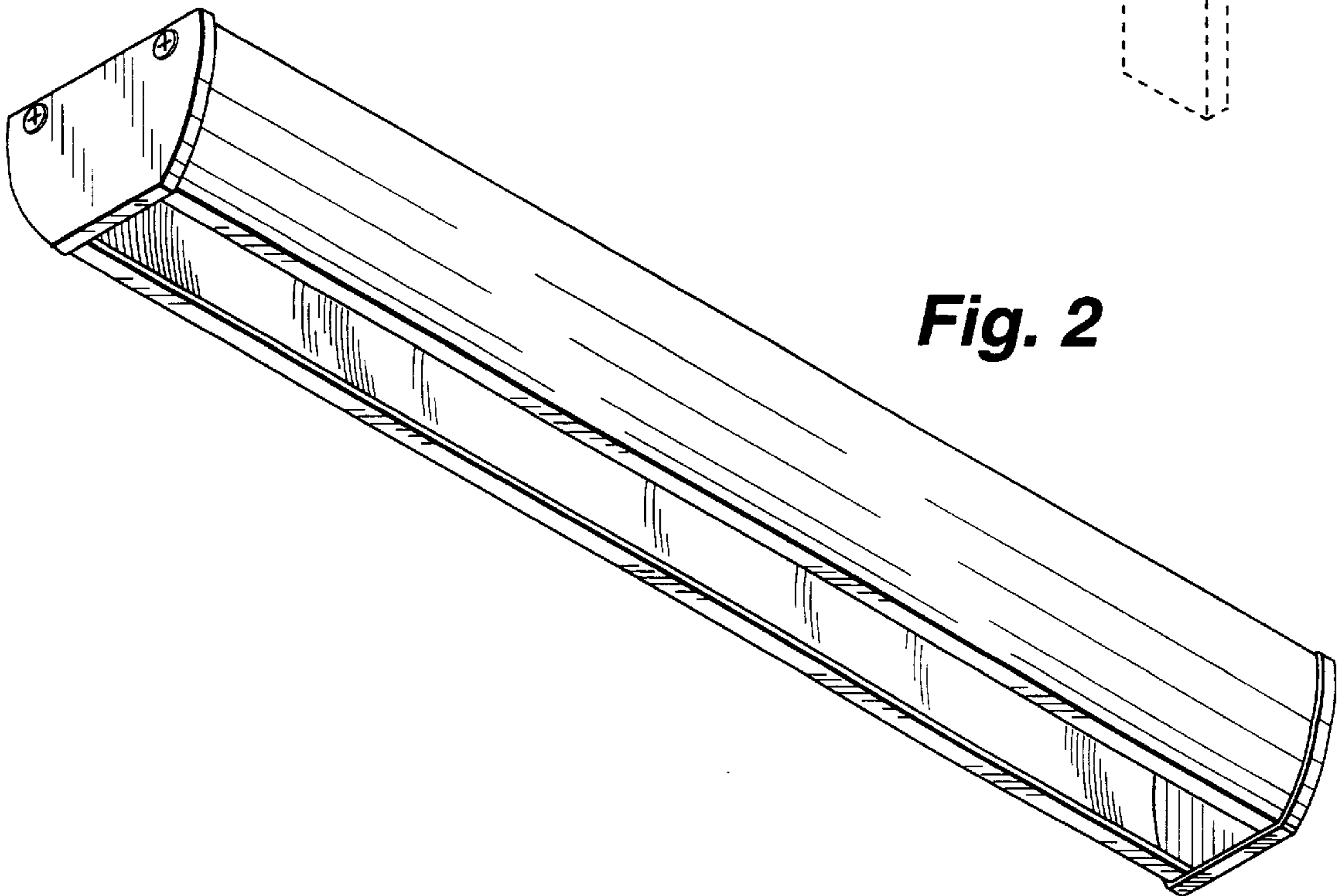
**1 Claim, 2 Drawing Sheets**

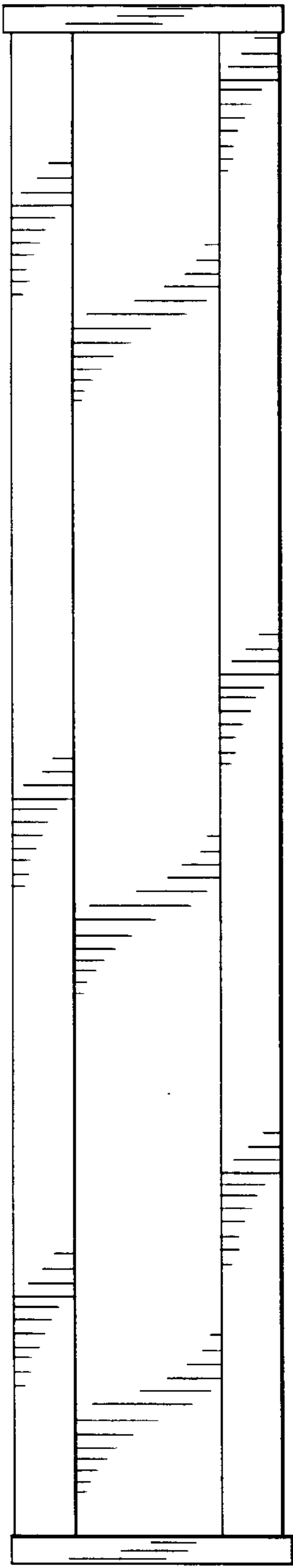


**Fig. 1**

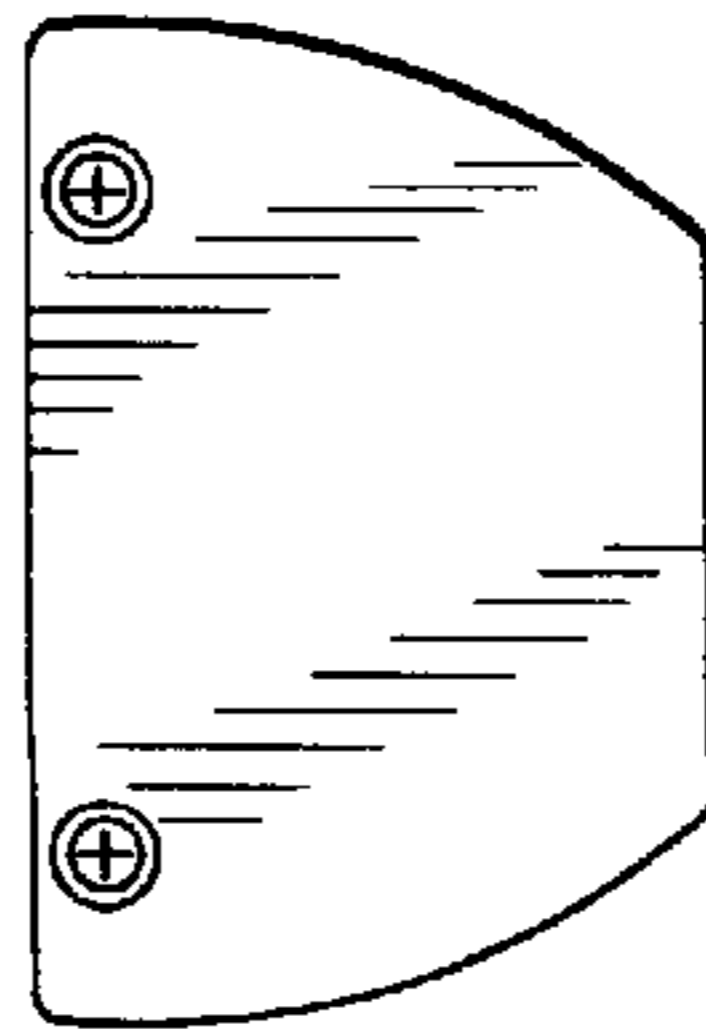
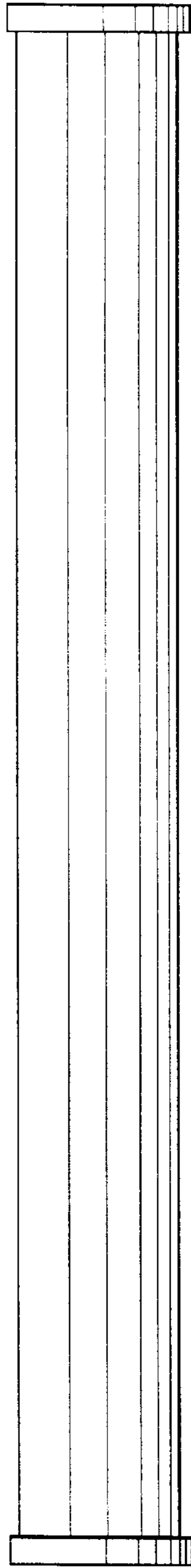


**Fig. 2**



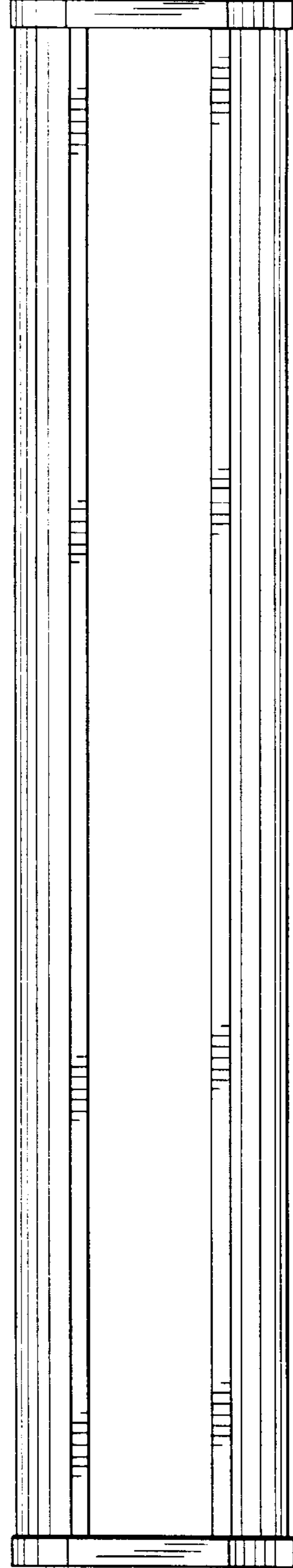


**Fig. 3**



**Fig. 5**

**Fig. 4**



**Fig. 6**