



US00D403909S

United States Patent [19] Chen

[11] **Patent Number: Des. 403,909**

[45] **Date of Patent: **Jan. 12, 1999**

[54] **EGG RACK**

[76] Inventor: **Fang-Yin Chen**, No. 301-1, San-Kang Rd., Lung-Chun Tsun, Lung-CHin Hsiang, Taichung County, Taiwan

[**] Term: **14 Years**

[21] Appl. No.: **79,179**

[22] Filed: **Nov. 5, 1997**

[51] **LOC (6) Cl. 08-08**

[52] **U.S. Cl. D6/566**

[58] **Field of Search** D6/566; 211/181.1, 211/13.1, 14; 248/175, 302, 309.1, 310, 314

[56] **References Cited**

U.S. PATENT DOCUMENTS

- D. 194,231 12/1962 Hill D6/566
- D. 262,678 1/1982 DeBear D6/566
- D. 284,426 7/1986 Morris D6/566

- D. 336,704 6/1993 Foden D6/566
- D. 392,487 3/1998 Cambron D6/566

Primary Examiner—Brian N. Vinson
Attorney, Agent, or Firm—Rosenberg, Klein & Bilker

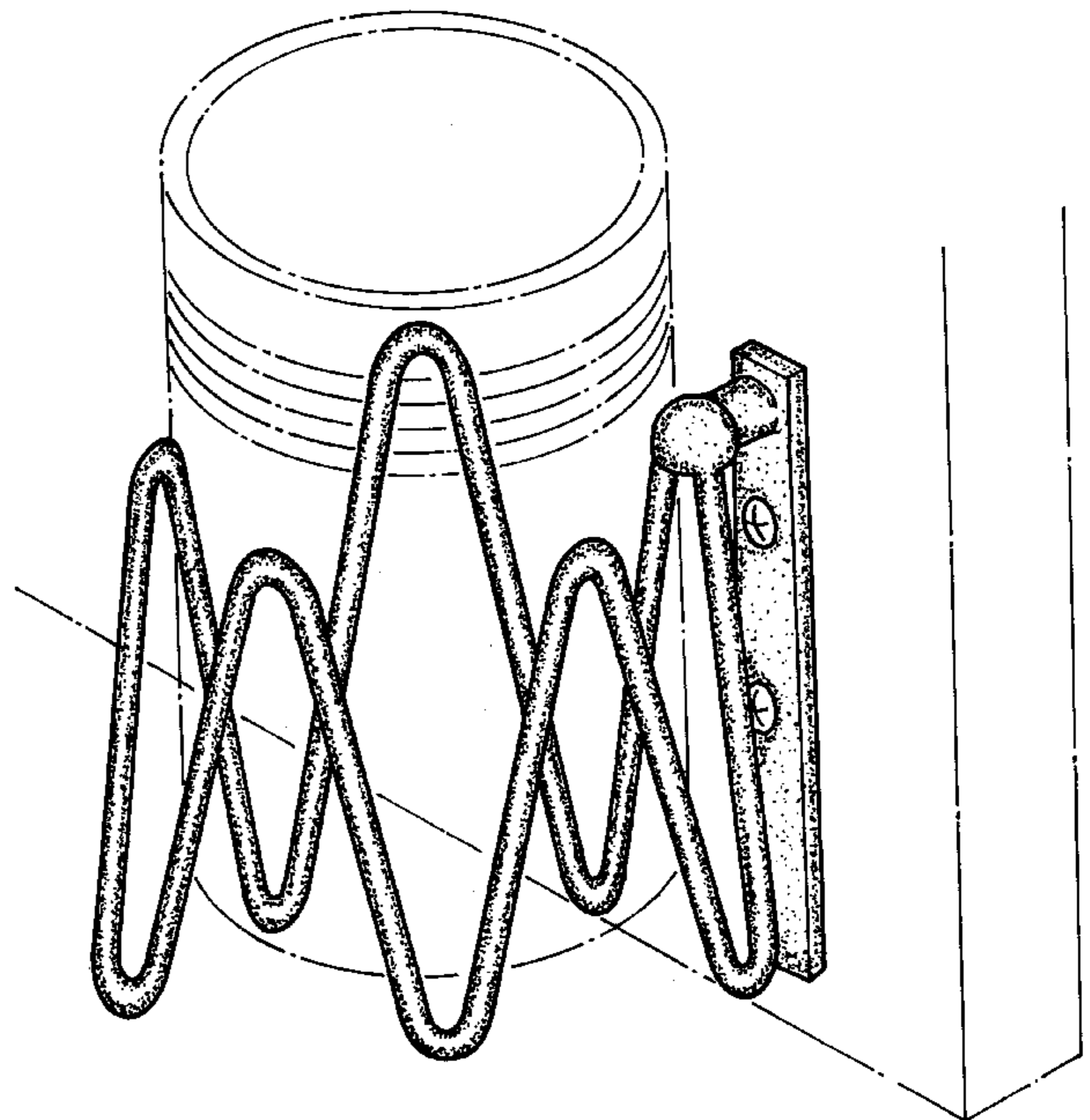
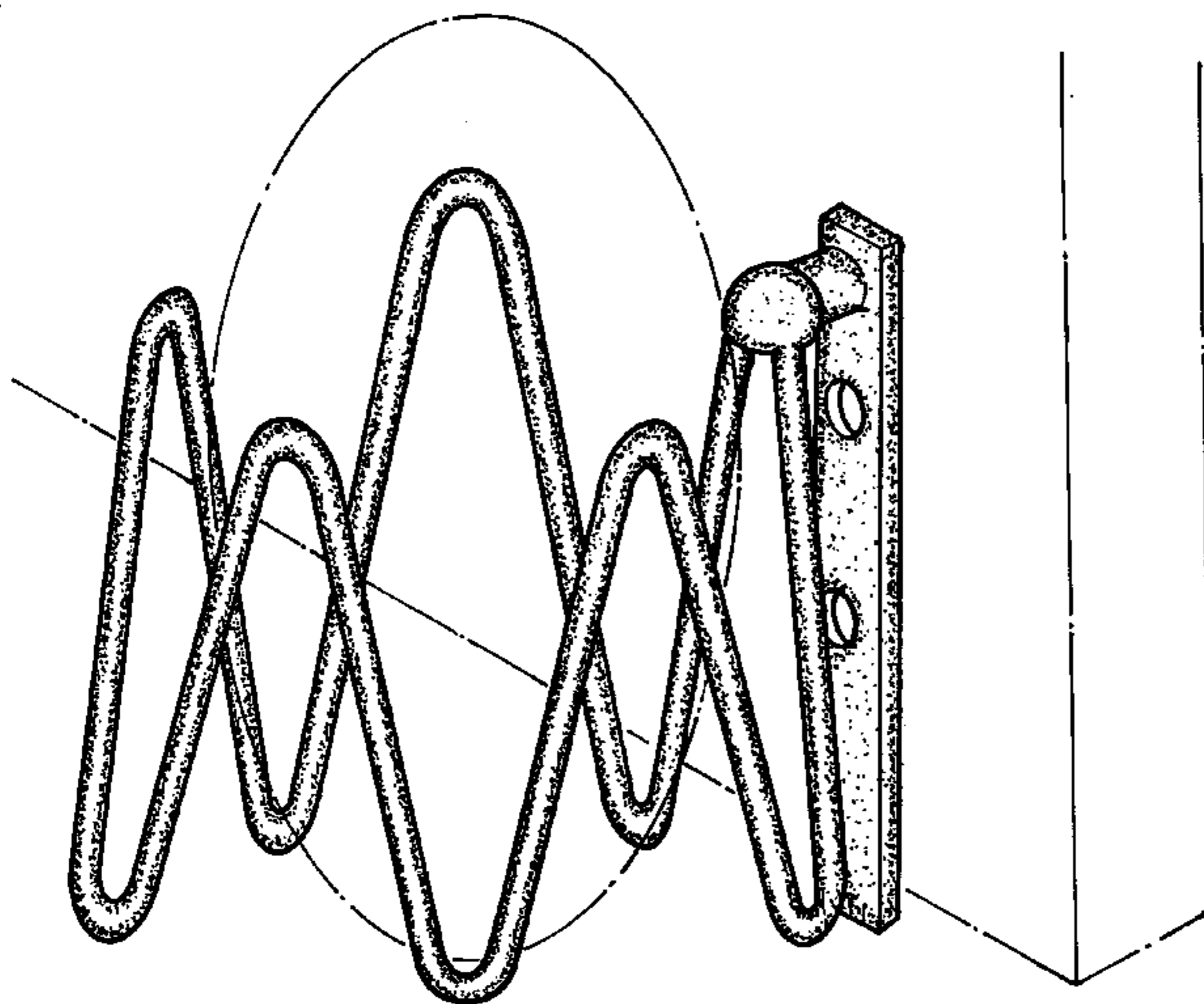
[57] **CLAIM**

The ornamental design for an egg rack, as shown and described.

DESCRIPTION

FIG. 1 is a perspective view of an egg rack showing my new design;
FIG. 2 is a top plain view thereof;
FIG. 3 is a bottom plain view thereof;
FIG. 4 is a front elevational view thereof;
FIG. 5 is a rear elevational view thereof;
FIG. 6 is a left side elevational view thereof;
FIG. 7 is a right side elevational view thereof; and,
FIG. 8 is an applied view of the invention; and,
FIG. 9 is another applied view of the invention.

1 Claim, 6 Drawing Sheets



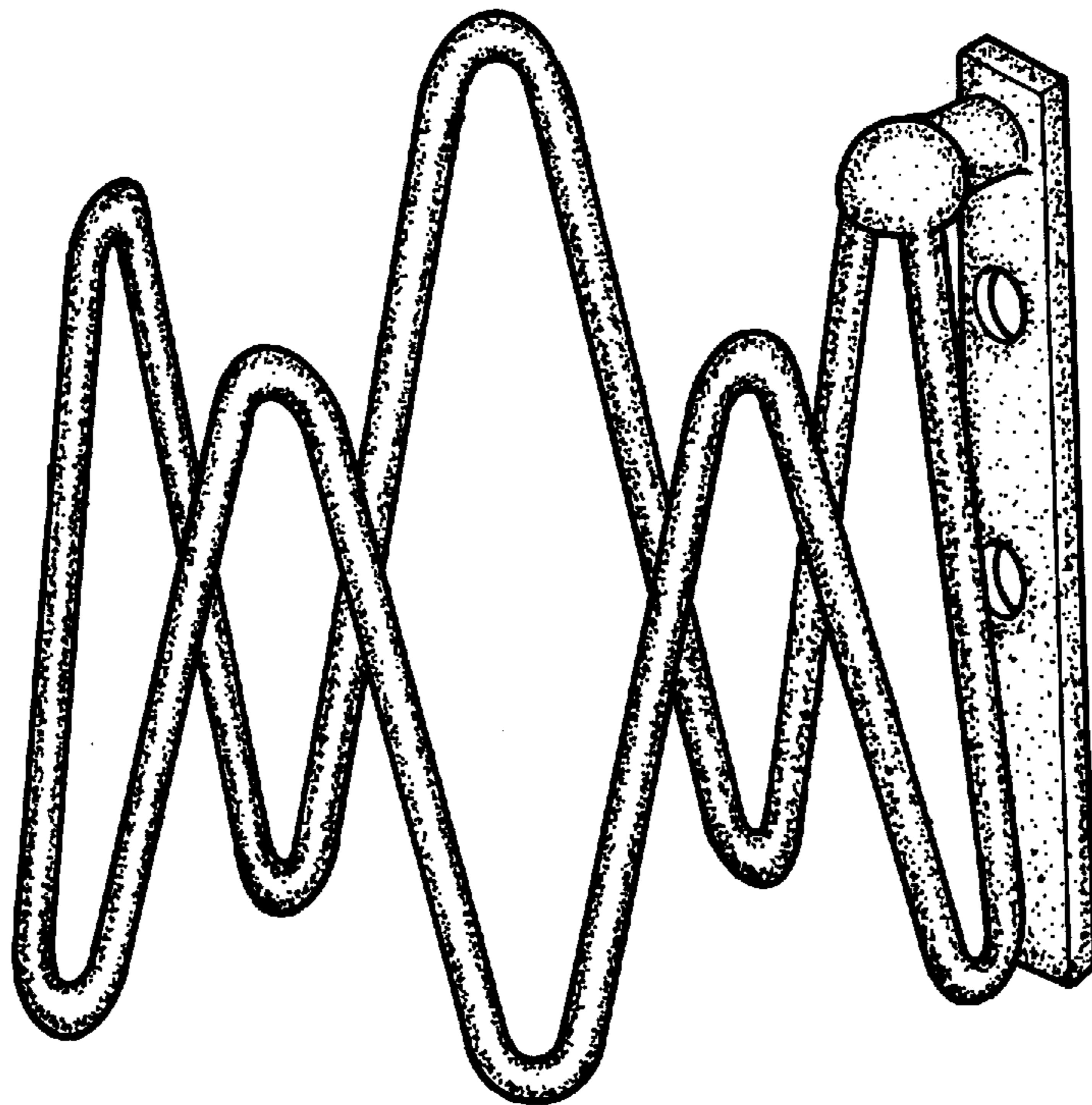


FIG. 1

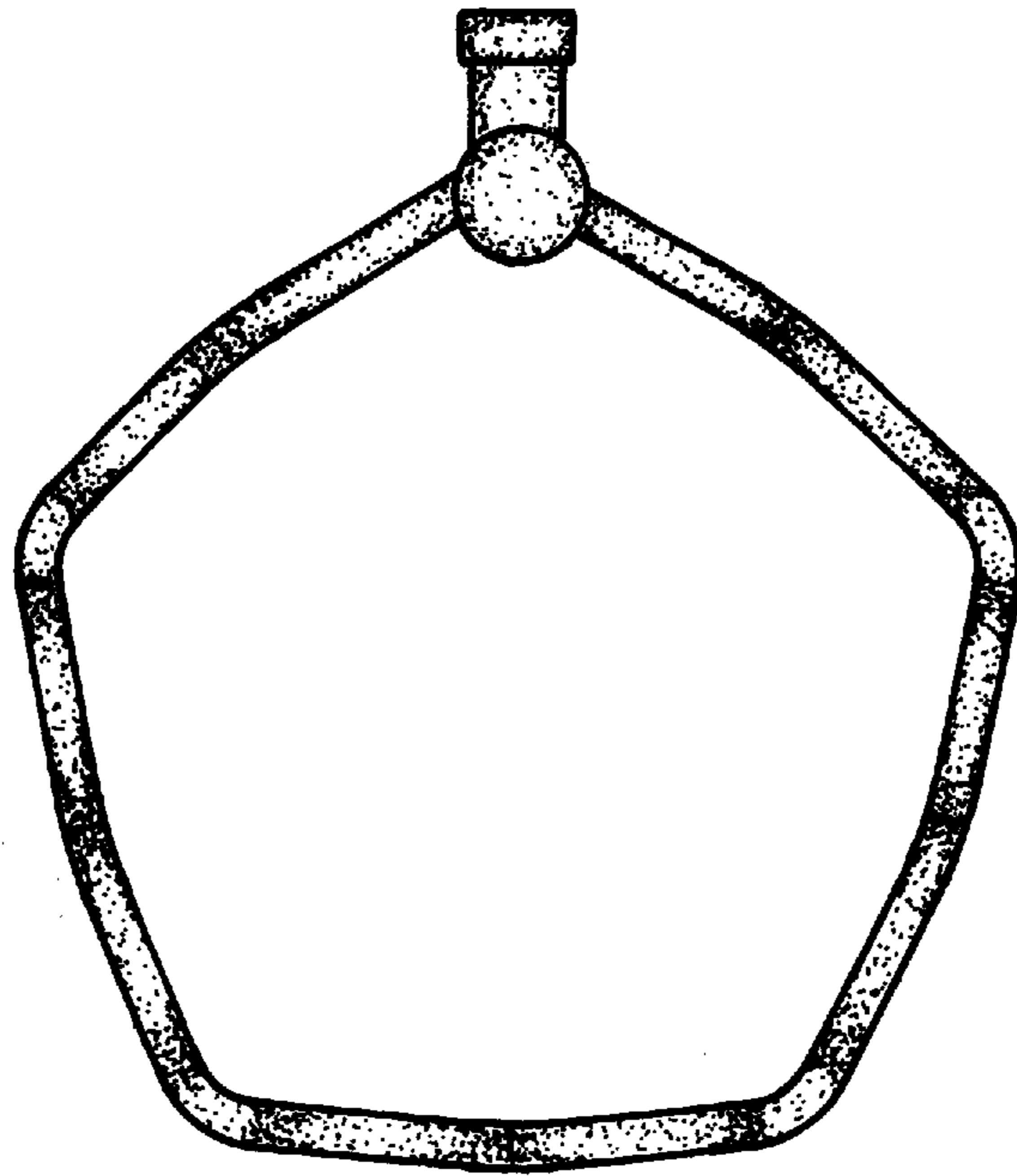


FIG. 2

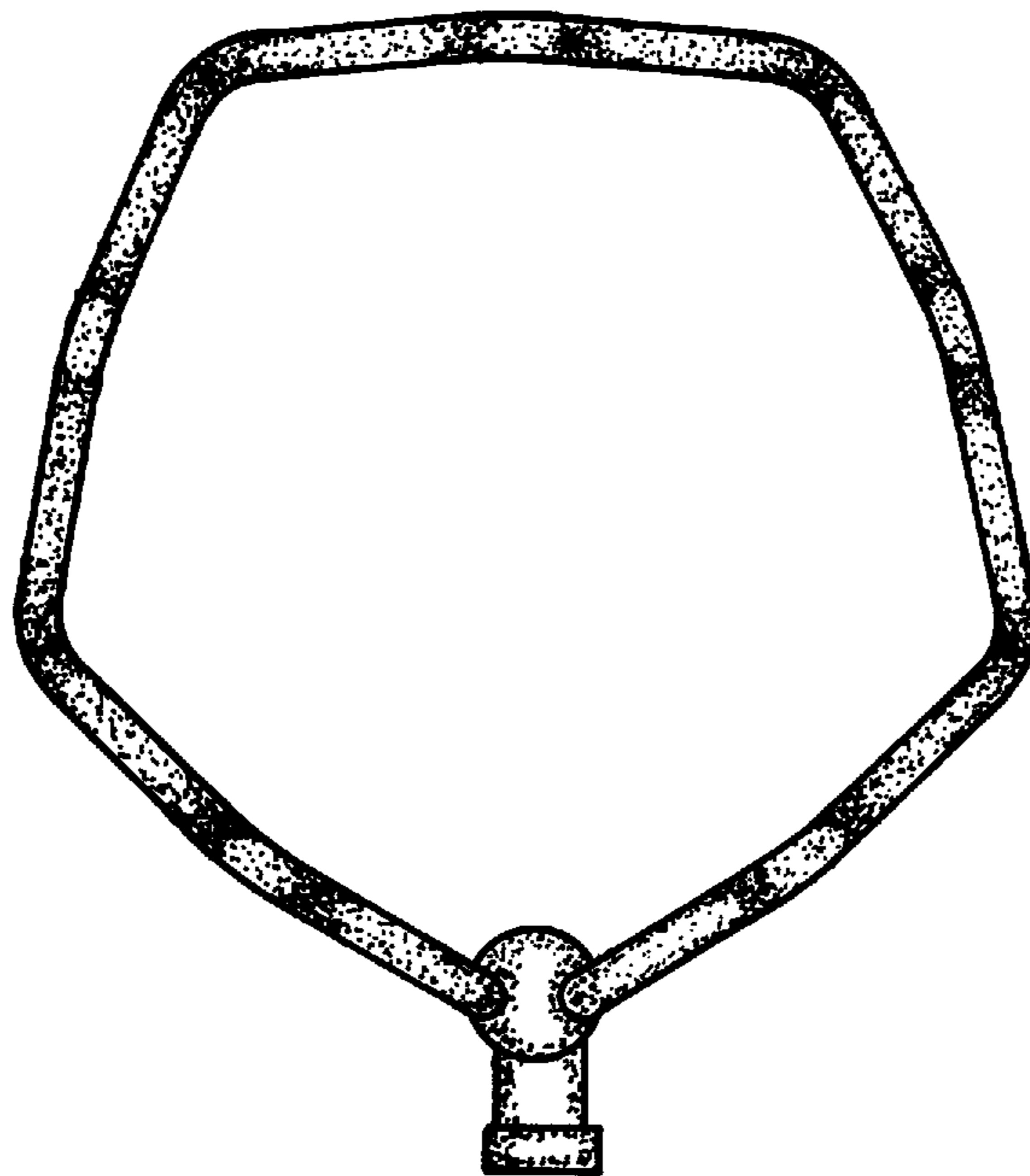


FIG. 3

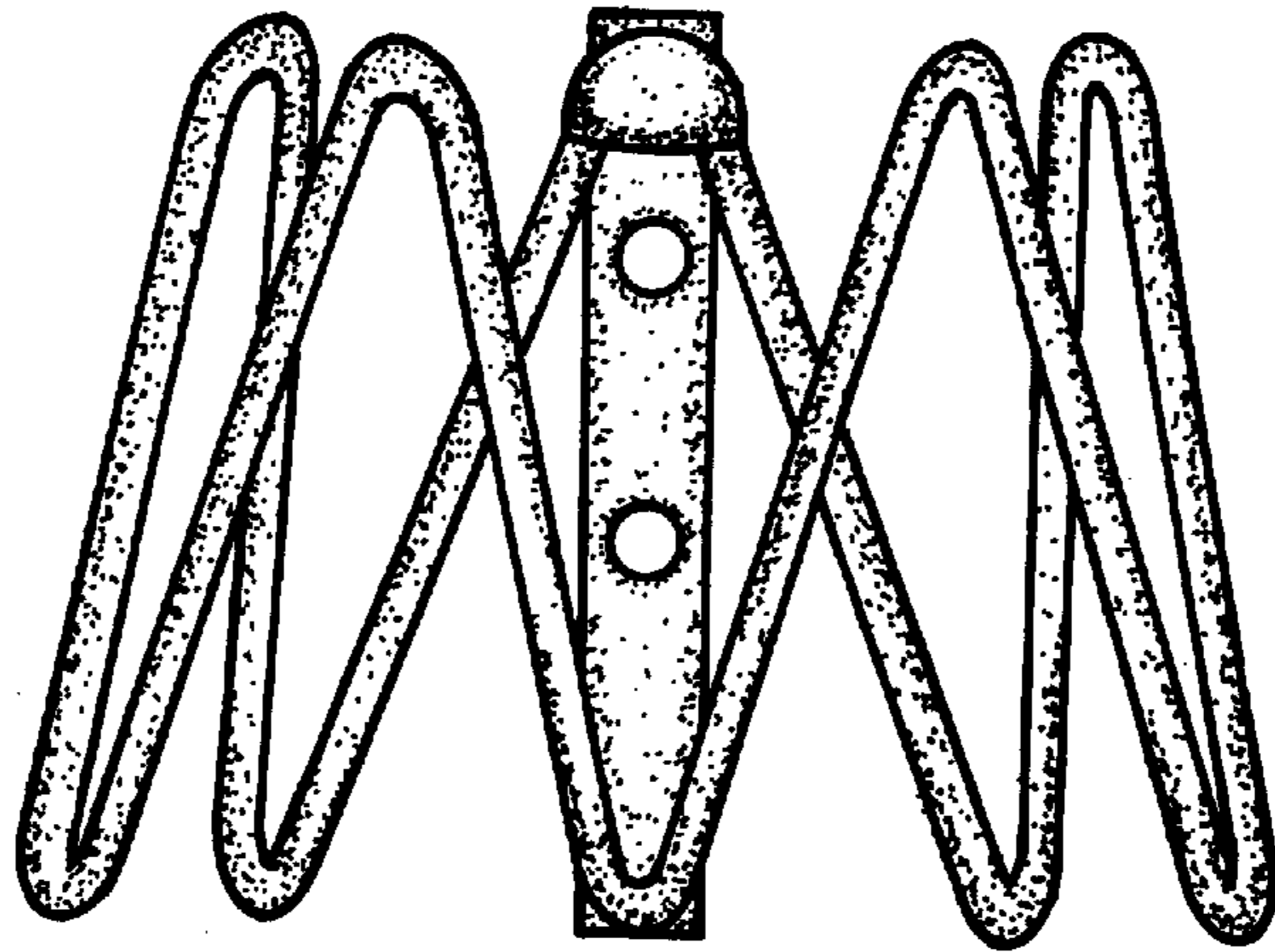


FIG. 4

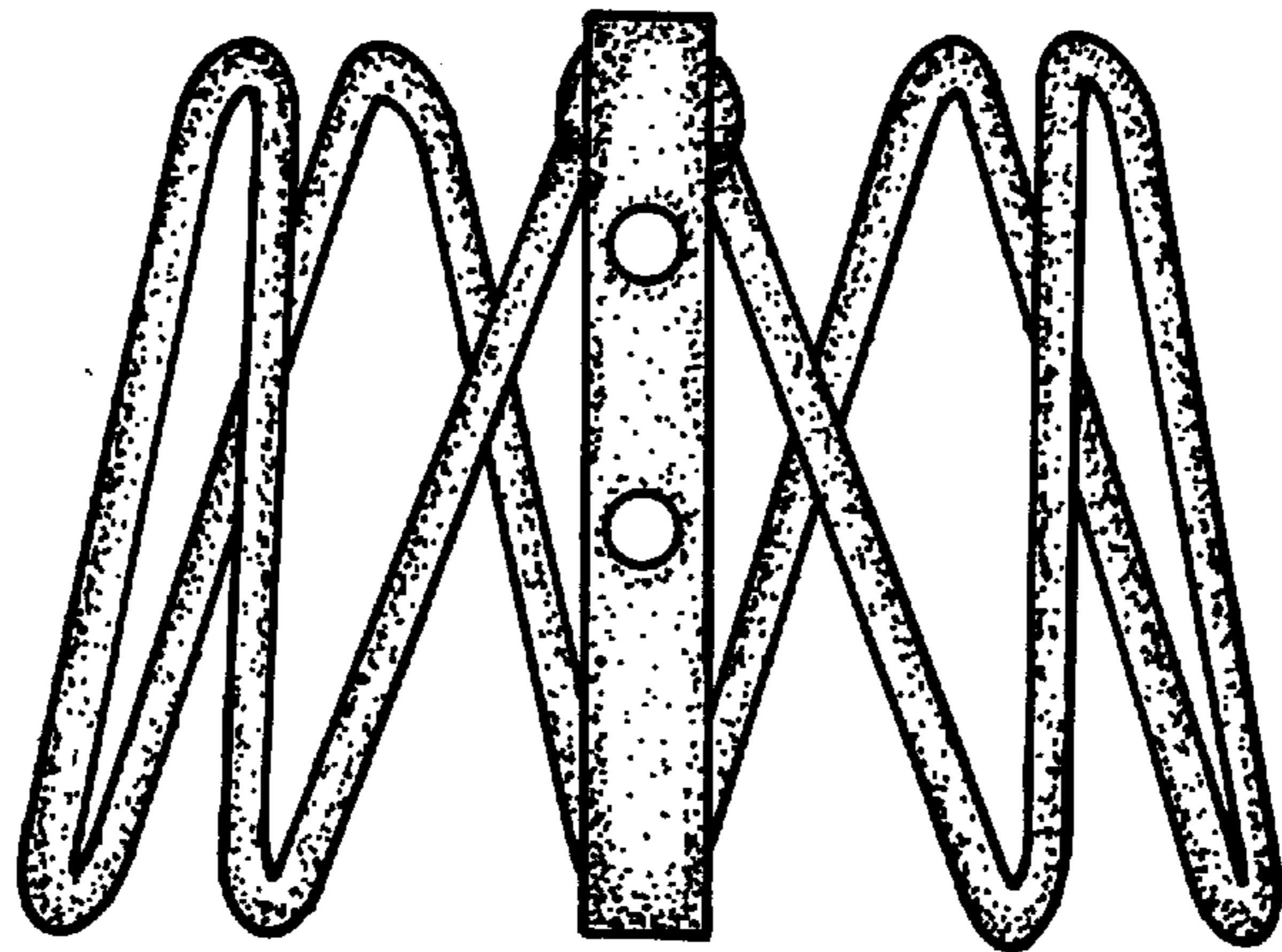


FIG. 5

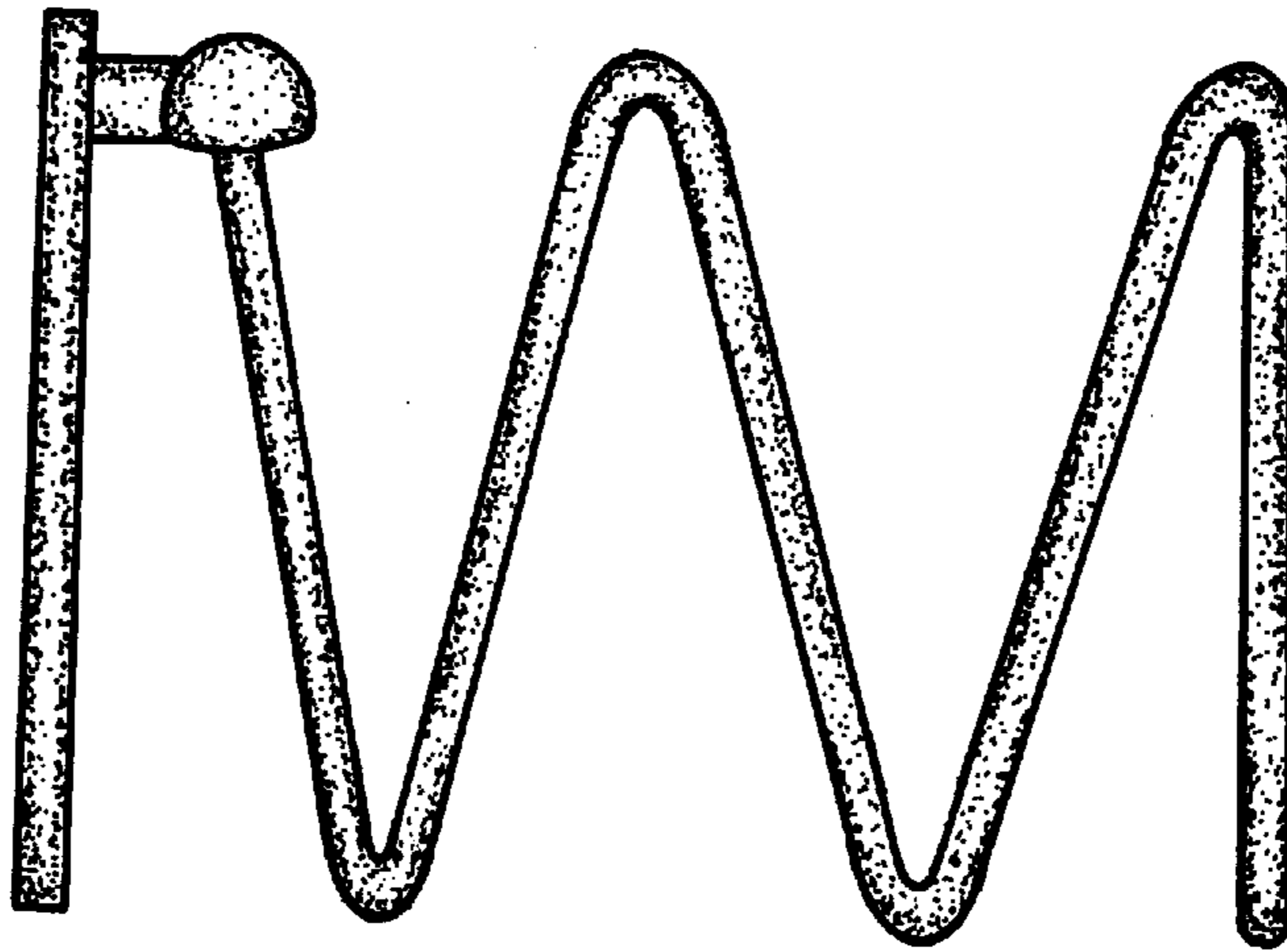


FIG. 6

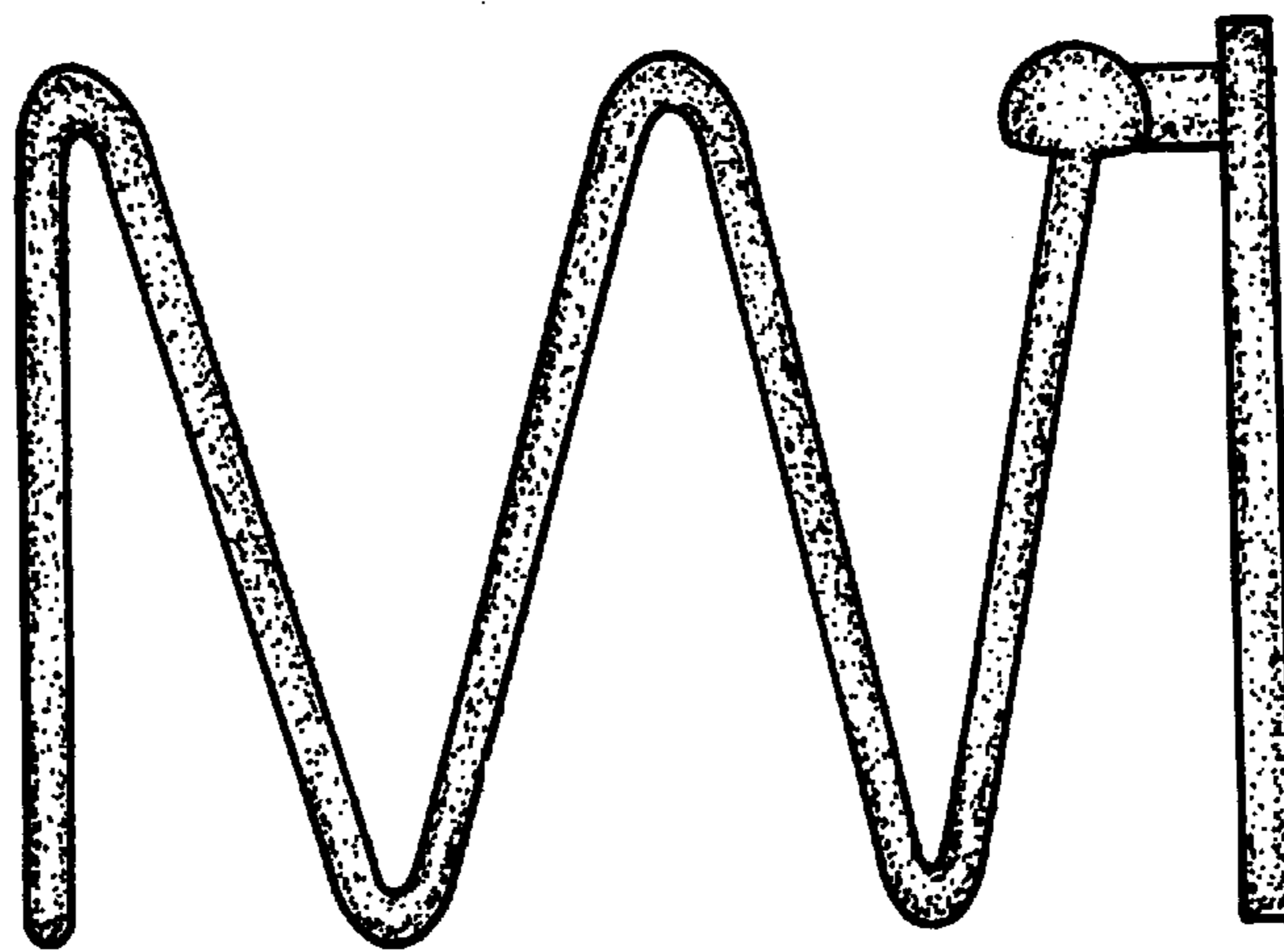


FIG. 7

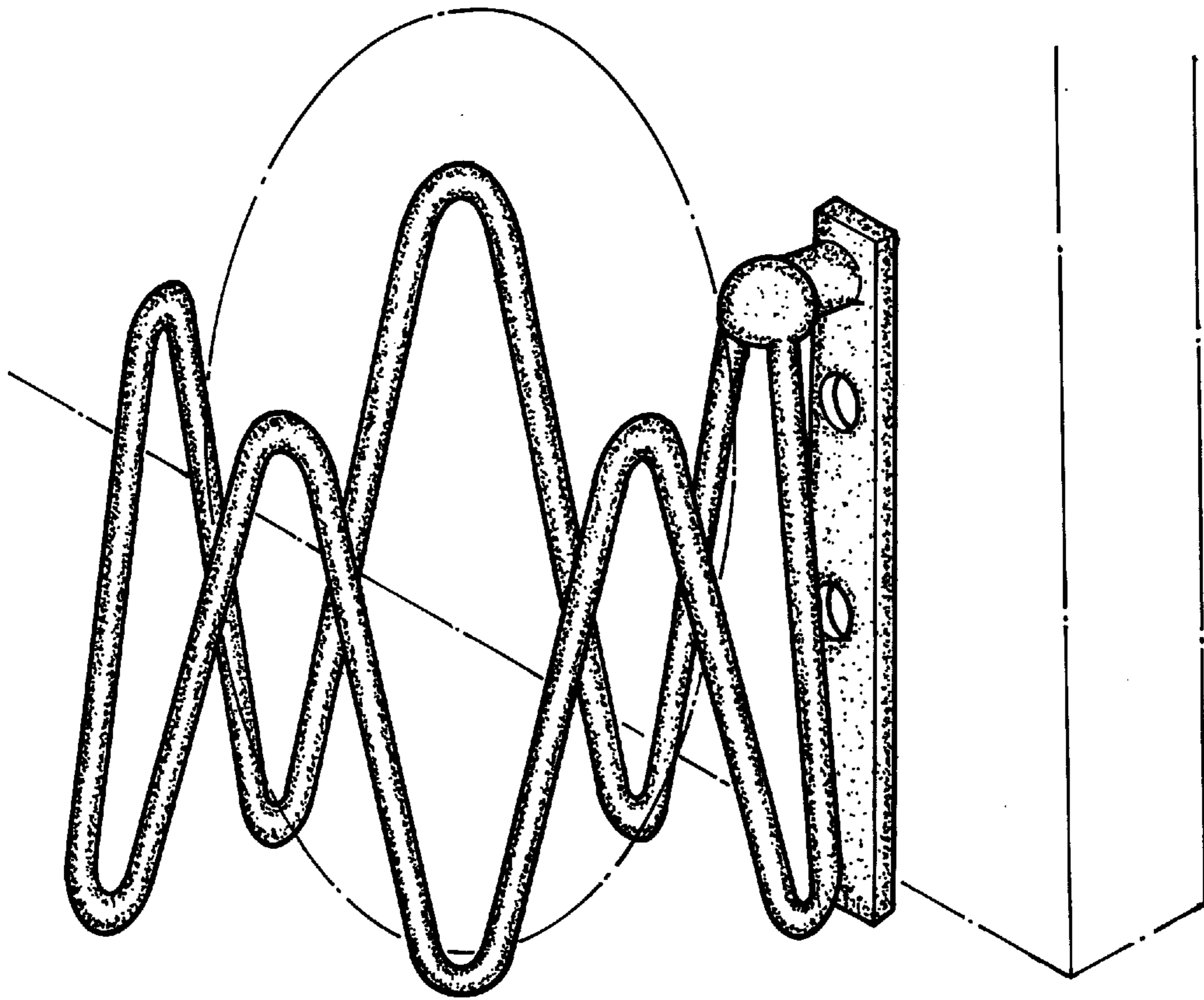


FIG. 8

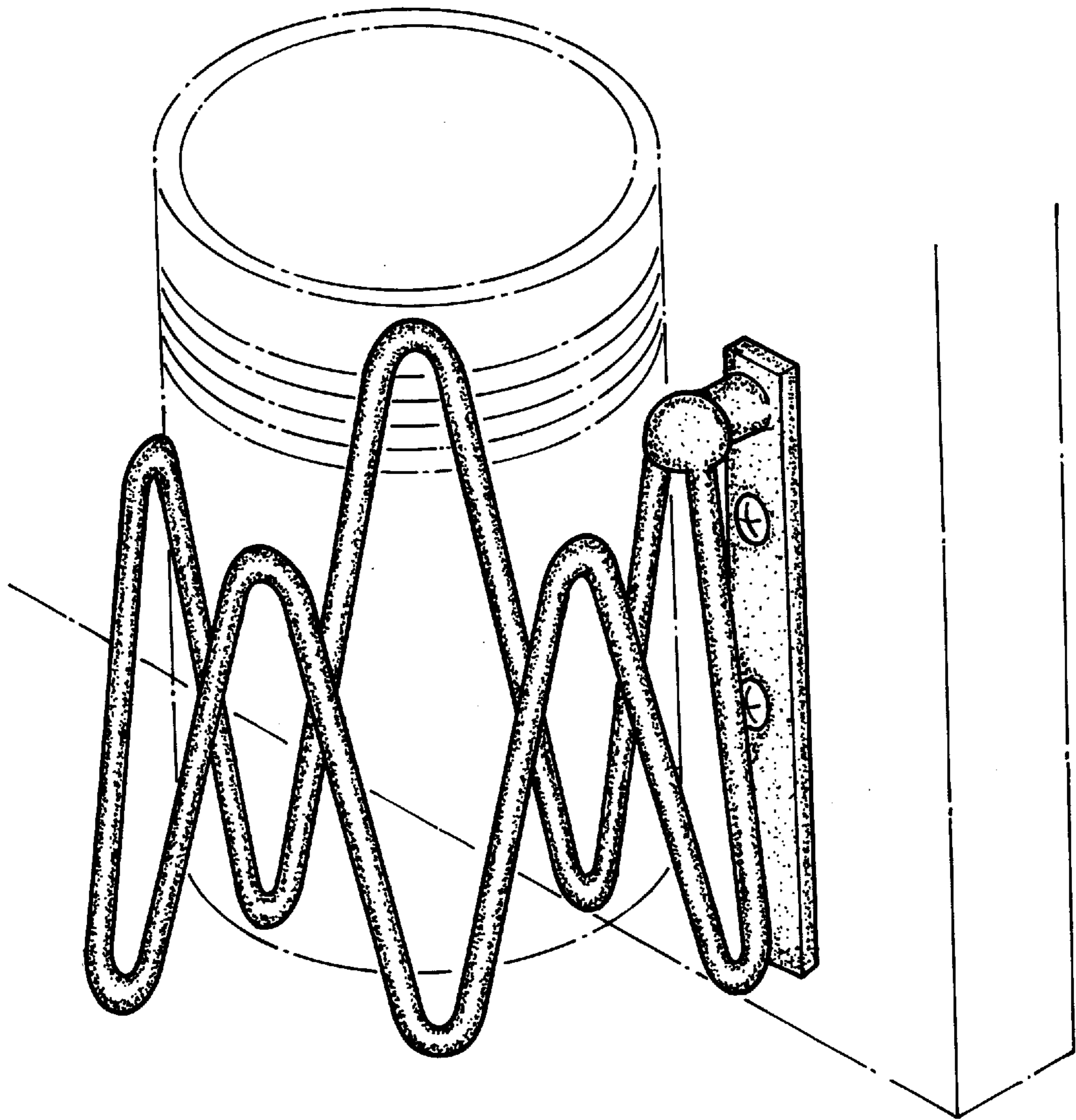


FIG. 9