

US00D403904S

# United States Patent [19]

Machael et al.

[11] Patent Number: Des. 403,904

[45] Date of Patent: \*\*Jan. 12, 1999

[54] OFFICE WORKSURFACE

[75] Inventors: Jay R. Machael; Mark A. Heckenliable; Dallas Scott Calvelage, all of Muscatine, Iowa

[73] Assignee: HON Technology Inc., Muscatine, Iowa

[\*\*] Term: 14 Years

[21] Appl. No.: 71,651

[22] Filed: Jun. 5, 1997

[51] LOC (6) Cl. .... 06-04

[52] U.S. Cl. .... D6/511

[58] Field of Search ..... D6/491, 509, 511, D6/553, 567, 574, 422, 449, 451, 427, 480, 482, 483, 484, 485, 487, 490; 108/144, 147, 153, 156, 161; 312/223.3

### [56] References Cited

#### U.S. PATENT DOCUMENTS

|            |        |               |       |        |
|------------|--------|---------------|-------|--------|
| D. 305,706 | 1/1990 | Mark          | ..... | D6/421 |
| D. 336,191 | 6/1993 | Diemen et al. | ..... | D6/511 |
| D. 355,547 | 2/1995 | Liston        | ..... | D6/480 |
| D. 359,405 | 6/1995 | Ball          | ..... | D6/482 |
| D. 365,712 | 1/1996 | Smith         | ..... | D6/511 |

|            |        |               |       |        |
|------------|--------|---------------|-------|--------|
| D. 371,029 | 6/1996 | Pagett        | ..... | D6/511 |
| D. 393,969 | 7/1998 | Barlow-Lawson | ..... | D6/511 |
| D. 394,569 | 5/1998 | O'Malley      | ..... | D6/511 |

Primary Examiner—Brian N. Vinson  
Attorney, Agent, or Firm—Jones, Day, Reavis & Pogue

### [57] CLAIM

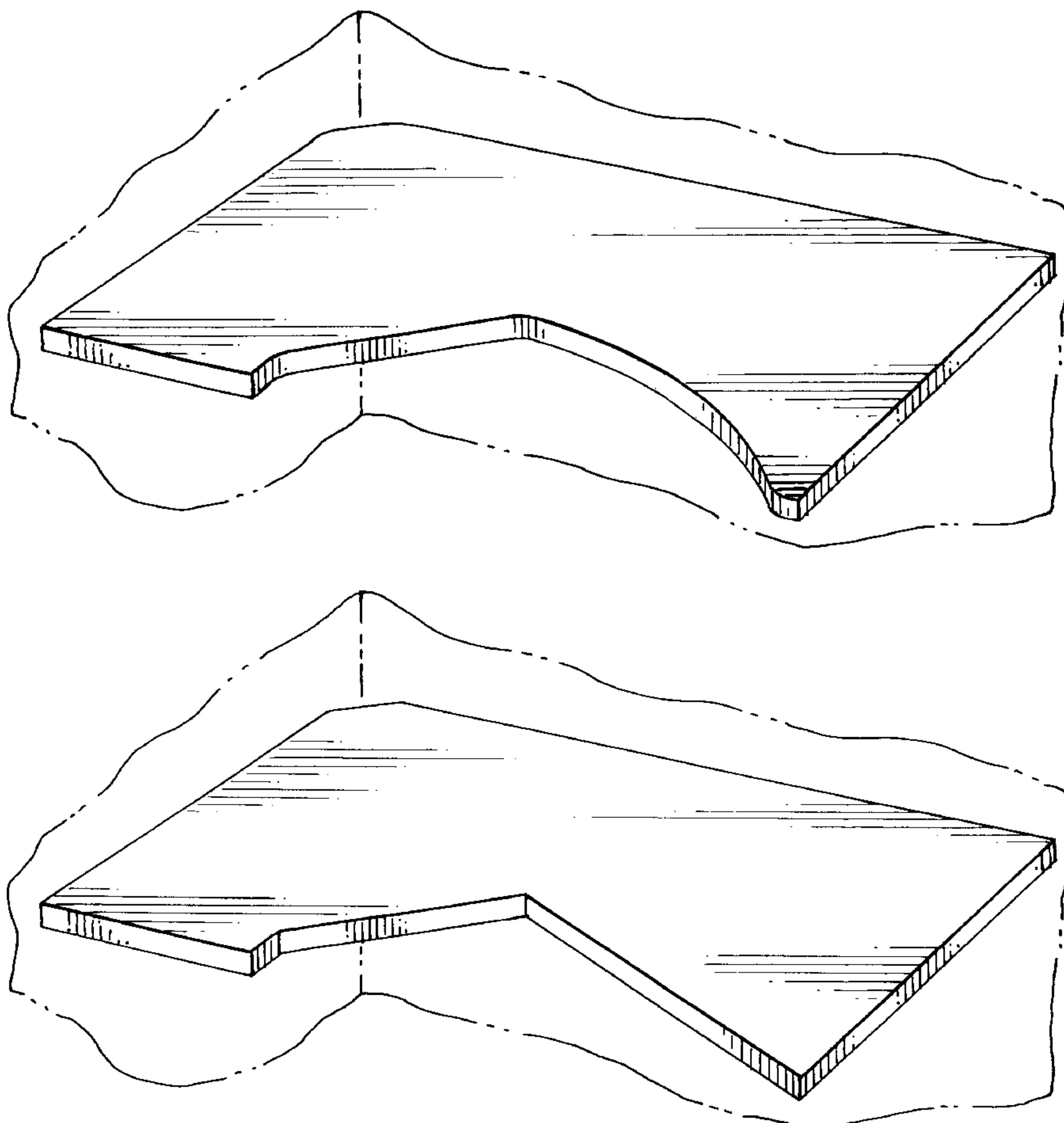
The ornamental design for an office worksurface, as shown and described.

### DESCRIPTION

FIG. 1 is a front perspective view of an office worksurface showing our new design;  
 FIG. 2 is a top plan view, the bottom plan view being the mirror image thereof;  
 FIG. 3 is a front elevational view thereof; and  
 FIG. 4 is a left side elevational view thereof;  
 FIG. 5 is a front perspective view of a second embodiment of an office worksurface showing our new design;  
 FIG. 6 is a top plan view, the bottom plan view being the mirror image thereof;  
 FIG. 7 is a front elevational view thereof; and  
 FIG. 8 is a left side elevational view thereof.

The broken-line disclosure in the views is for illustrative purposes only and forms no part of the claimed design.

1 Claim, 2 Drawing Sheets



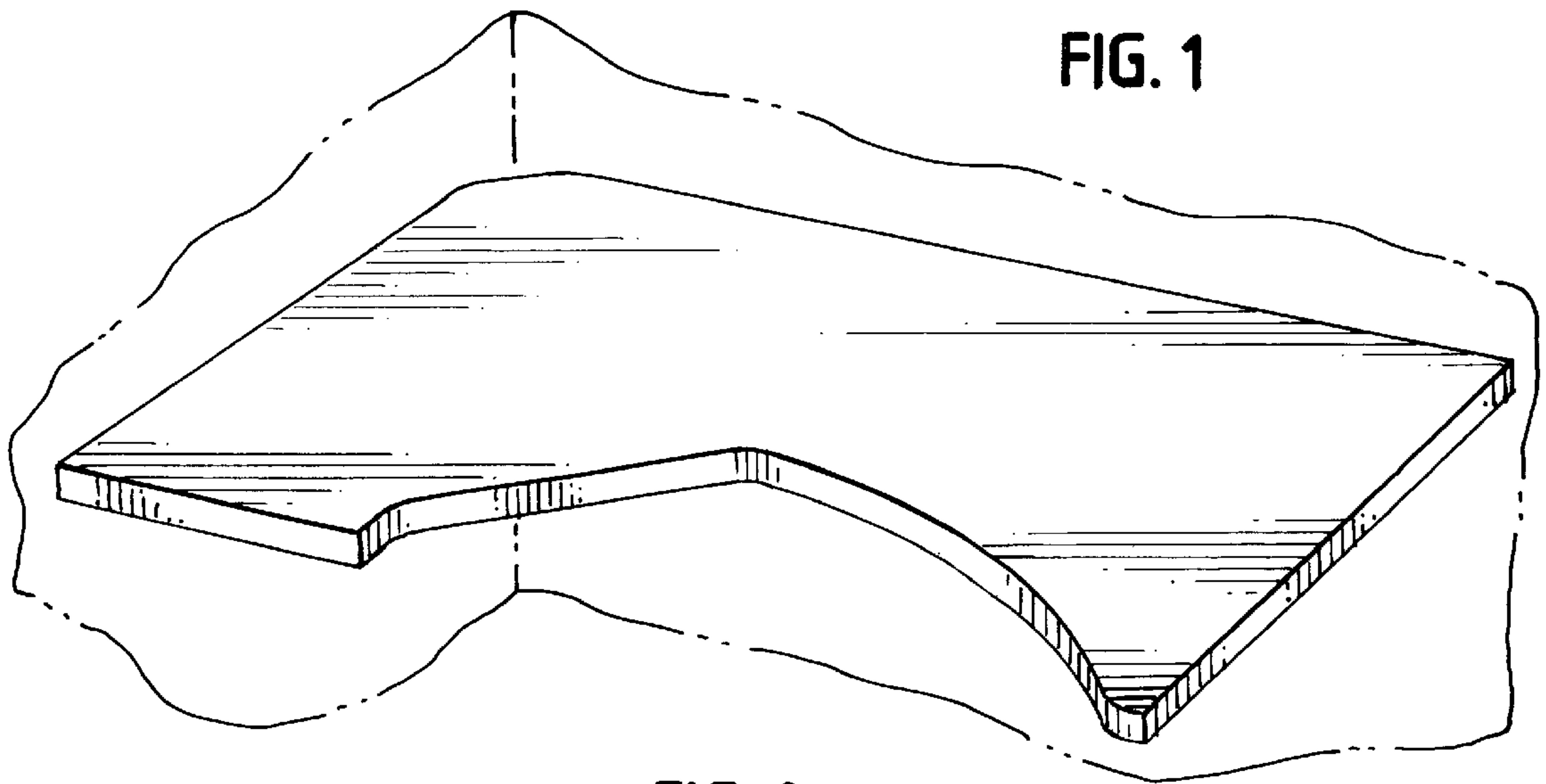


FIG. 2

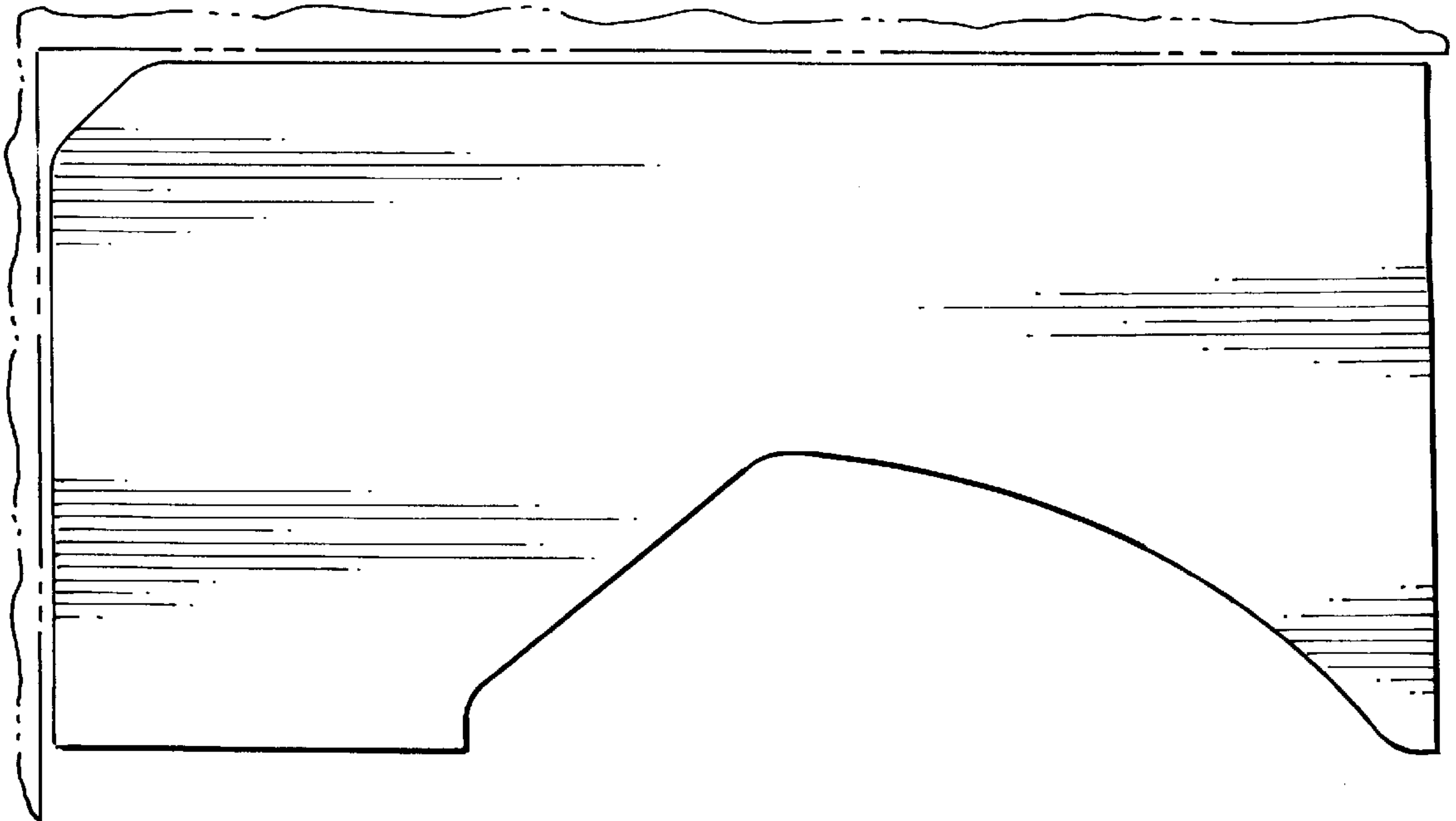
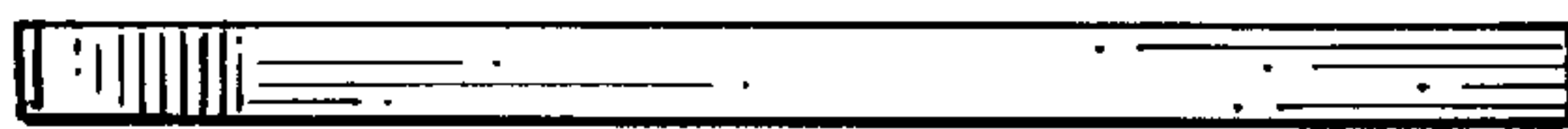


FIG. 3



FIG. 4



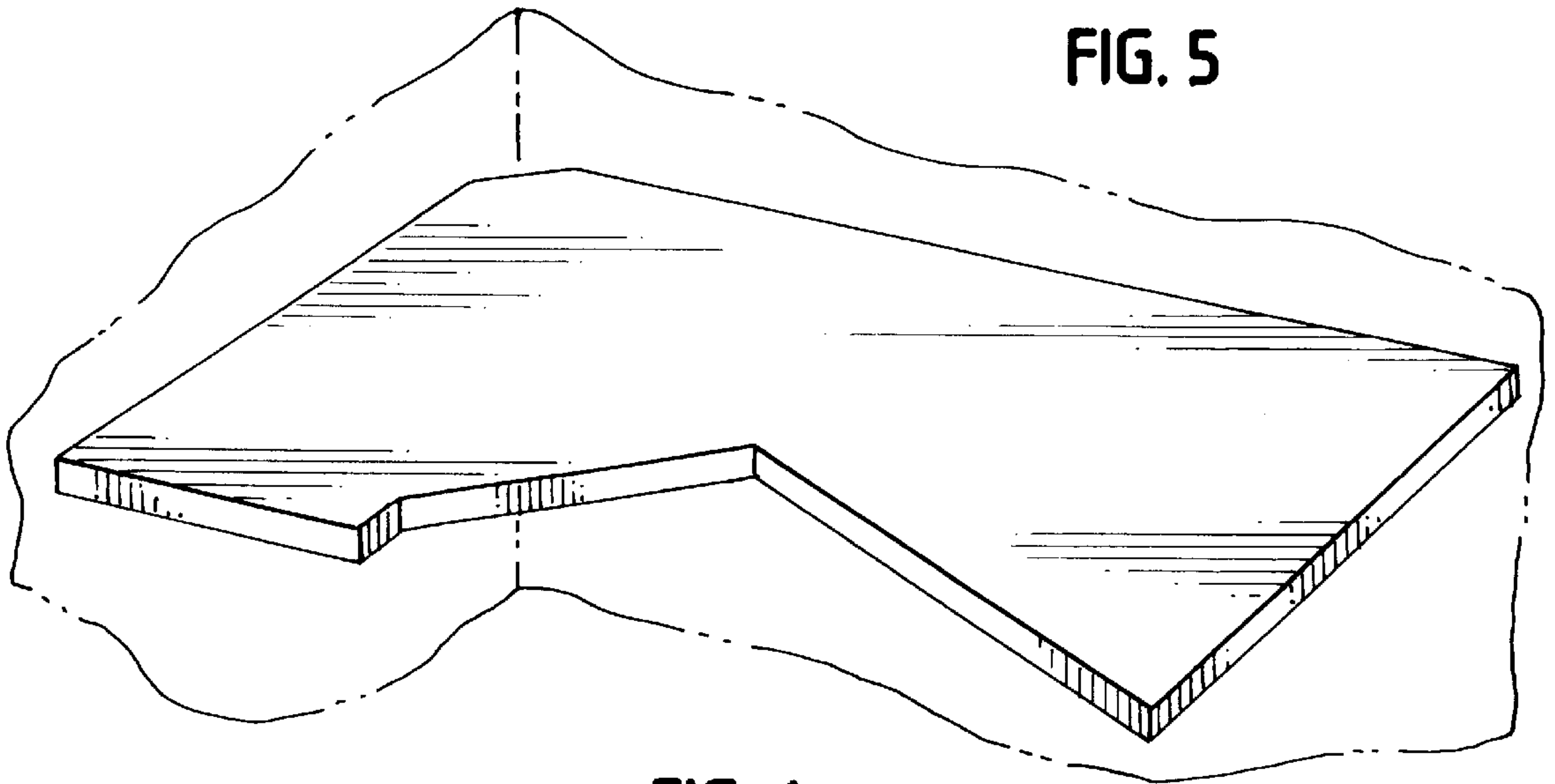


FIG. 5

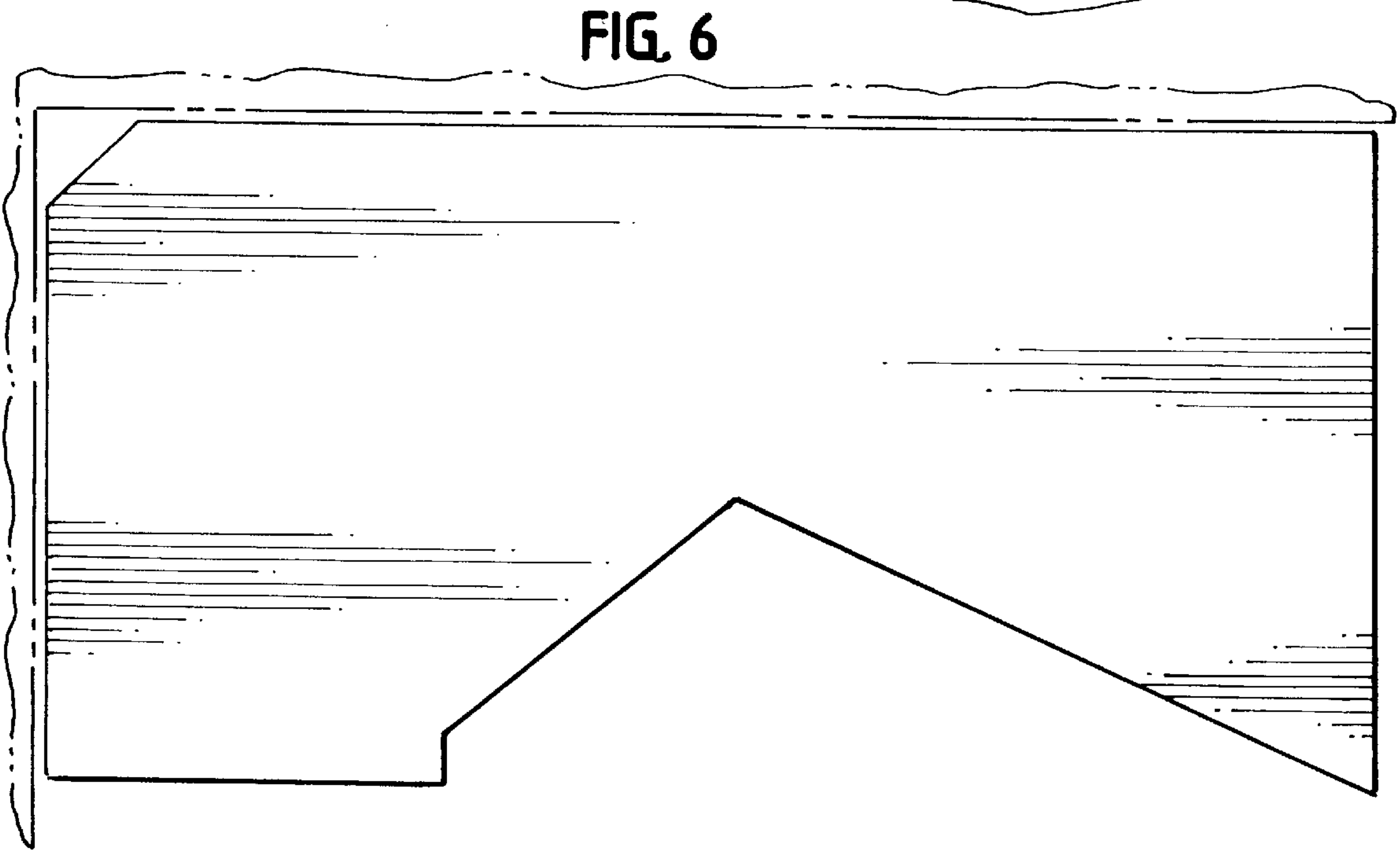


FIG. 6

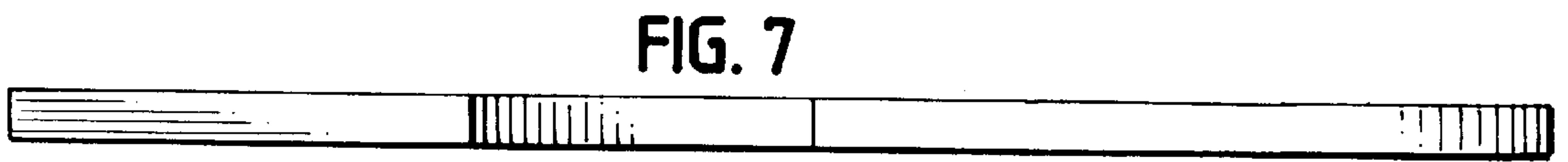


FIG. 7

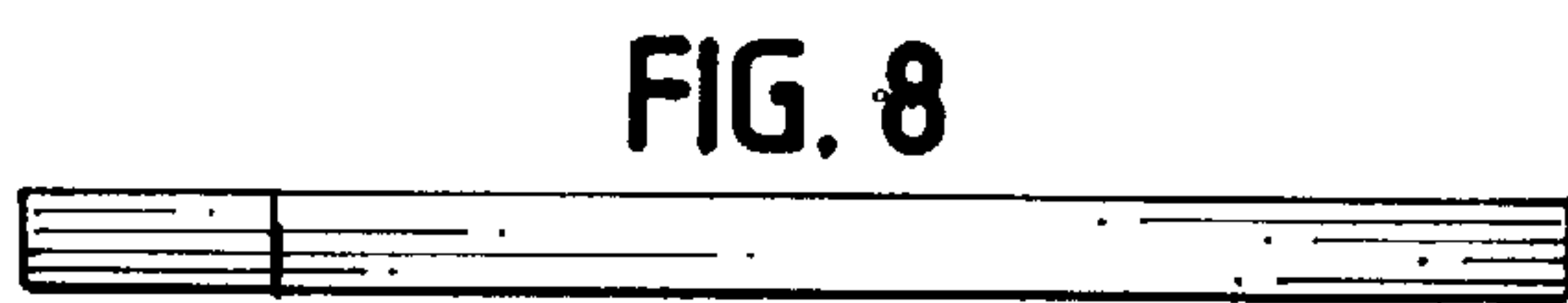


FIG. 8