



US00D403903S

United States Patent [19] Calmeise

[11] **Patent Number: Des. 403,903**

[45] **Date of Patent: **Jan. 12, 1999**

[54] **SHELF**

[75] Inventor: **Randall W. Calmeise**, Oakwood Village, Ohio

[73] Assignee: **Rubbermaid Incorporated**, Wooster, Ohio

[**] Term: **14 Years**

[21] Appl. No.: **47,471**

[22] Filed: **Dec. 5, 1995**

[51] **LOC (6) Cl.** **06-06**

[52] **U.S. Cl.** **D6/511**

[58] **Field of Search** D6/511; 108/91, 108/59, 106, 180, 137, 144, 153, 161, 901; 211/88, 90, 134, 175, 207

[56] **References Cited**

U.S. PATENT DOCUMENTS

D. 245,744	9/1977	Brooks	D6/186
D. 249,618	9/1978	Oxenhandler	D6/186
D. 280,583	9/1985	Evenson	D6/574
D. 281,040	10/1985	Campbell et al.	D6/574
D. 288,160	2/1987	Maroney et al.	D6/511
D. 312,545	12/1990	Cohn	D6/511
D. 330,652	11/1992	Goetz	D6/479
D. 330,819	11/1992	Dickinson	D6/479
D. 341,967	12/1993	Cohn	D6/511
D. 344,382	2/1994	Conaway et al.	D34/21
D. 347,131	5/1994	Wolff	D6/479
D. 362,138	9/1995	Sagol	D6/479
D. 366,973	2/1996	Miller et al.	D6/445
D. 383,339	9/1997	Grosfillex	D6/511
D. 393,386	4/1998	Pasalich	D6/511
3,053,558	9/1962	Challas, Jr. et al.	287/119
3,537,408	11/1970	Barlett et al.	108/156
4,474,416	10/1984	Rogahn	312/257
4,519,511	5/1985	Mendenhall	211/187
4,607,576	8/1986	Kranjee	108/110
4,615,278	10/1986	Cabrelli	108/111

4,706,576	11/1987	James	108/111
4,815,394	3/1989	Ettlinger et al.	108/144 X
4,843,975	7/1989	Welsch et al.	108/24
4,852,501	8/1989	Olson et al.	108/111
4,949,648	8/1990	Miller	108/111
5,158,187	10/1992	Taub	211/186
5,303,645	4/1994	Meacham	100/144
5,423,251	6/1995	Kolvites et al.	108/110

OTHER PUBLICATIONS

Label, Shelves; Knape & Vogt Manufacturing Co., address unknown. Publication date 1994.

Pp. 4, 7, 9, 10 and 12, Shelves; Hirsh Company, 8051 Central Park Avenue, Skokie, Illinois 60076. Publication date 1993.

Pp. 16 and 18, Shelves; Contico Manufacturing Company, 1101 Warson Road, St. Louis, Missouri 63132. Publication date 1992.

Sell sheet, Shelves; P. I. Industries, Vista, California. Publication date Jan., 1993.

P. 18, Shelf; The Little Tikes Company, 2180 Barlow Road, Hudson, Ohio 44236. Publication due 1986.

Catalog page, Shelf; The Little Tikes Company, 2180 Barlow Road, Hudson, Ohio 44236. Publication date 1990.

Primary Examiner—Brian N. Vinson

Attorney, Agent, or Firm—Richard B. O'Planick

[57] **CLAIM**

The ornamental design for a shelf, as shown and described.

DESCRIPTION

FIG. 1 is a top right perspective view of a shelf showing my new design;

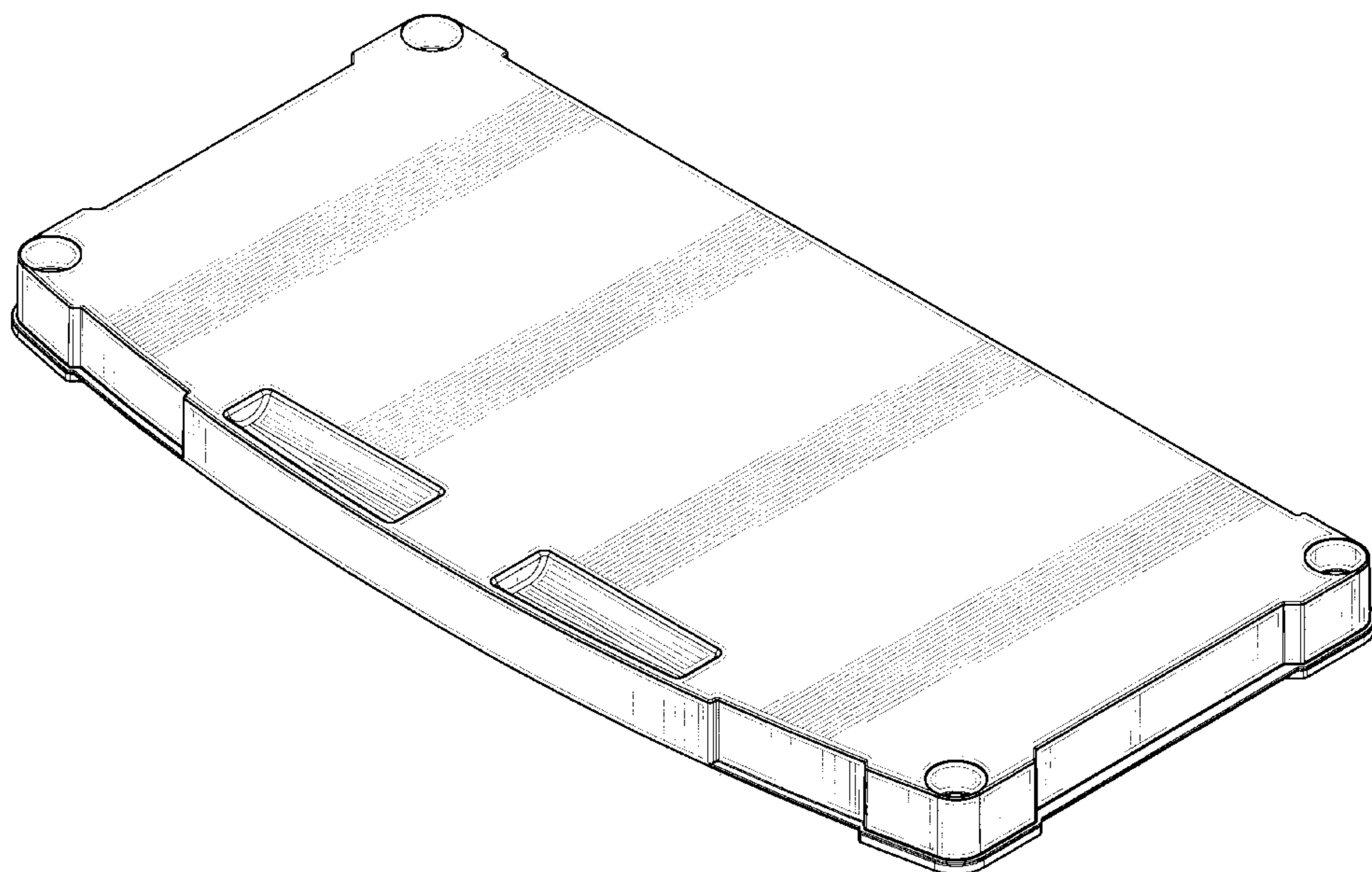
FIG. 2 is a top plan view thereof;

FIG. 3 is a front elevational view thereof;

FIG. 4 is a right side elevational view thereof, the left side elevational view being a mirror image; and,

FIG. 5 is a rear elevational view thereof.

1 Claim, 3 Drawing Sheets



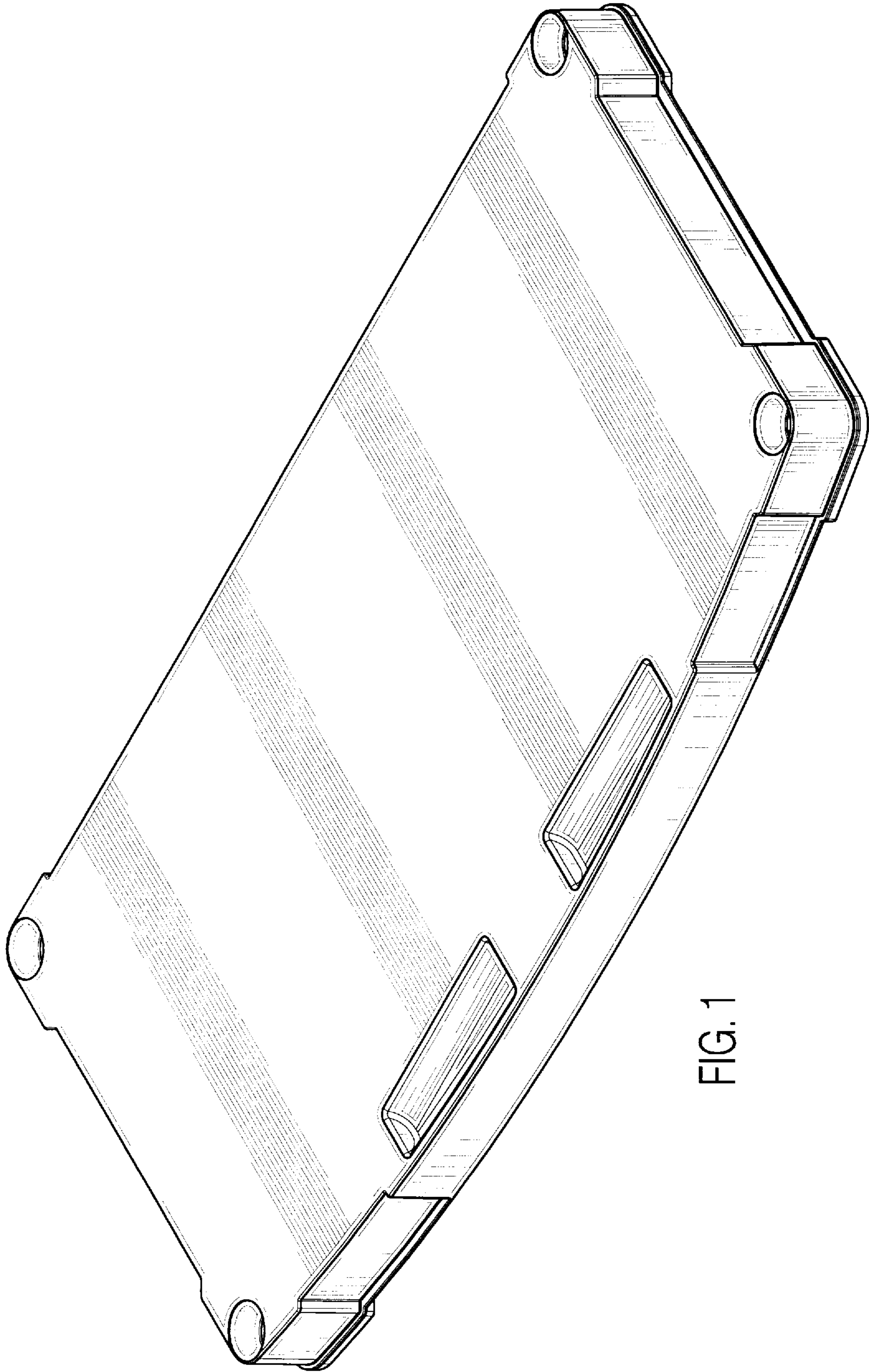


FIG. 1

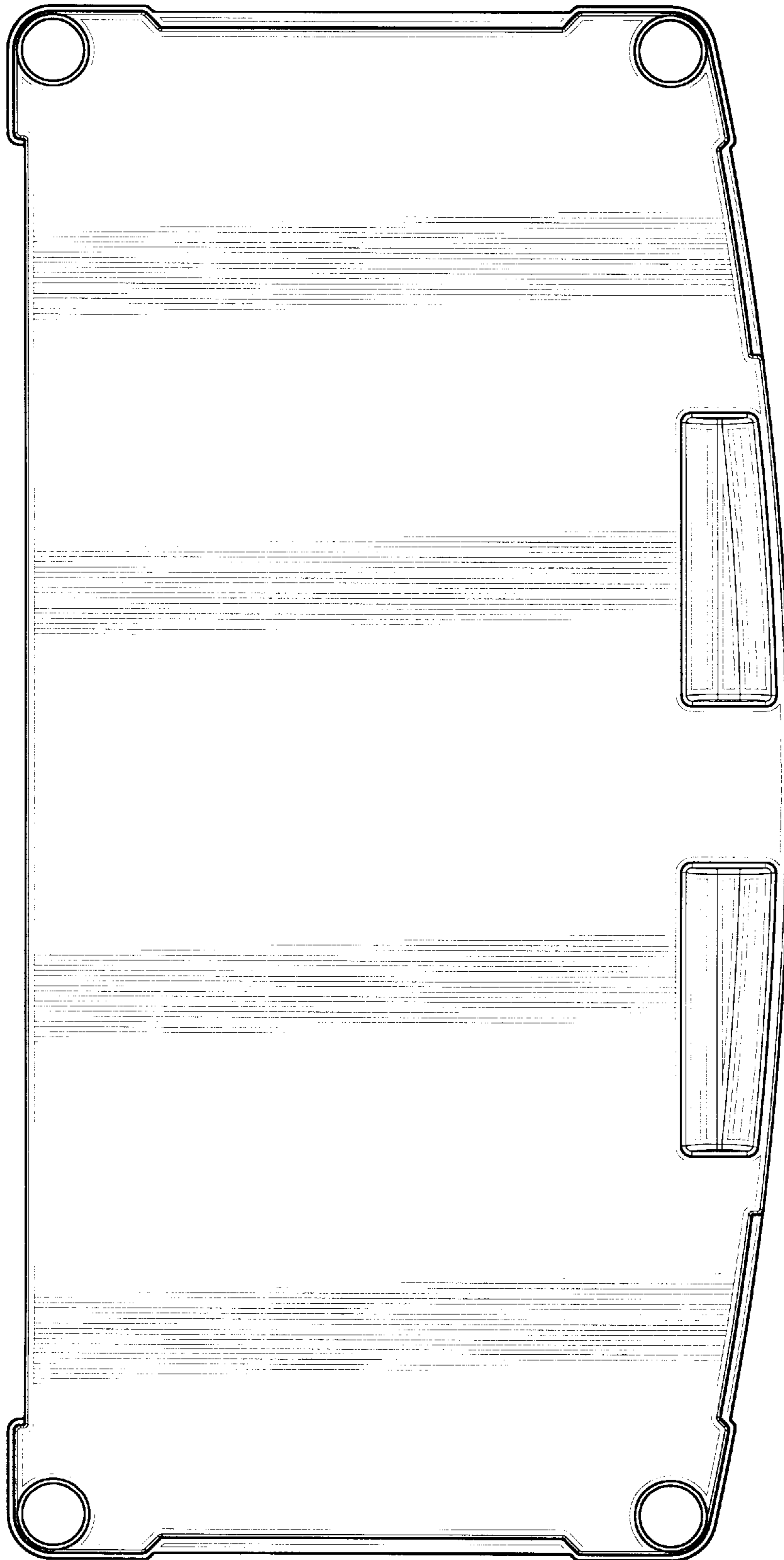


FIG. 2

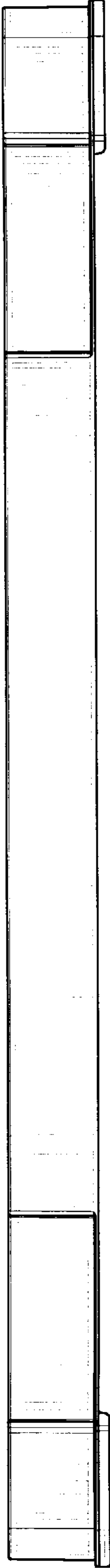


FIG. 3

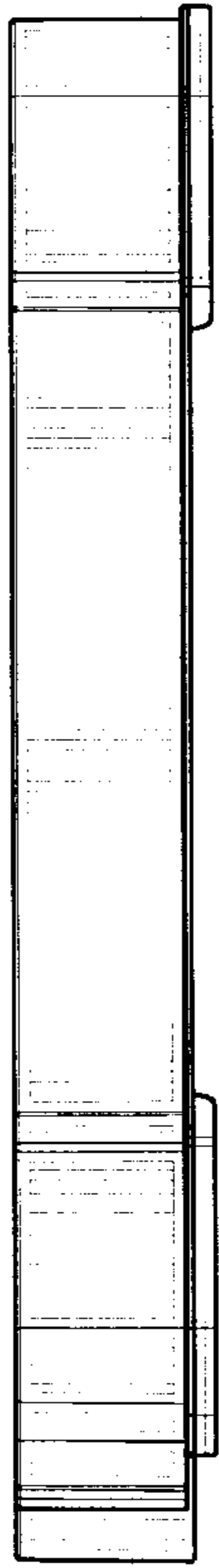


FIG. 4

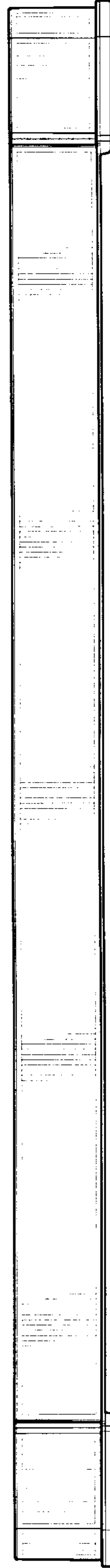


FIG. 5